



US00D952238S

(12) **United States Design Patent** (10) **Patent No.:** **US D952,238 S**
Ferrie et al. (45) **Date of Patent:** **** May 17, 2022**

(54) **ELECTRONIC CIGARETTE**
 (71) Applicant: **Nerudia Limited**, Liverpool (GB)
 (72) Inventors: **Kate Ferrie**, Liverpool (GB); **Edward Ross Shenton**, Liverpool (GB); **Jonathan Marchbank**, Liverpool (GB); **Thomas Sudlow**, Liverpool (GB); **Pete Lomas**, Liverpool (GB); **Nikhil Aggarwal**, Liverpool (GB); **Med Benyezzar**, Liverpool (GB); **Samantha Murray**, Liverpool (GB)

(73) Assignee: **NERUDIA LIMITED**, Liverpool (GB)
 (**) Term: **15 Years**

(21) Appl. No.: **29/684,960**

(22) Filed: **Mar. 25, 2019**

(30) **Foreign Application Priority Data**

Sep. 24, 2018 (EM) 005655776-0003

(51) **LOC (13) Cl.** **27-02**

(52) **U.S. Cl.**
 USPC **D27/162**

(58) **Field of Classification Search**
 USPC D27/100, 101, 139, 141, 148, 161–171,
 D27/183, 185–193, 194, 154; D24/110,
 (Continued)

(56) **References Cited**

U.S. PATENT DOCUMENTS

1,611,937 A * 12/1926 Nelson A45D 40/02
 401/82

D242,152 S * 11/1976 Oto D27/159
 (Continued)

OTHER PUBLICATIONS

Pulze, published Jan. 22, 2019 [online] [retrieved Oct. 14, 2020],
 Available from Internet, URL <https://seekingalpha.com/article/4234783-imperial-brands-why-i-continue-to-buy-shares>.*

Primary Examiner — Kevin K Rudzinski
 (74) *Attorney, Agent, or Firm* — Brandon V. Zuniga;
 James R. Gourley; Carstens & Cahoon, LLP

(57) **CLAIM**

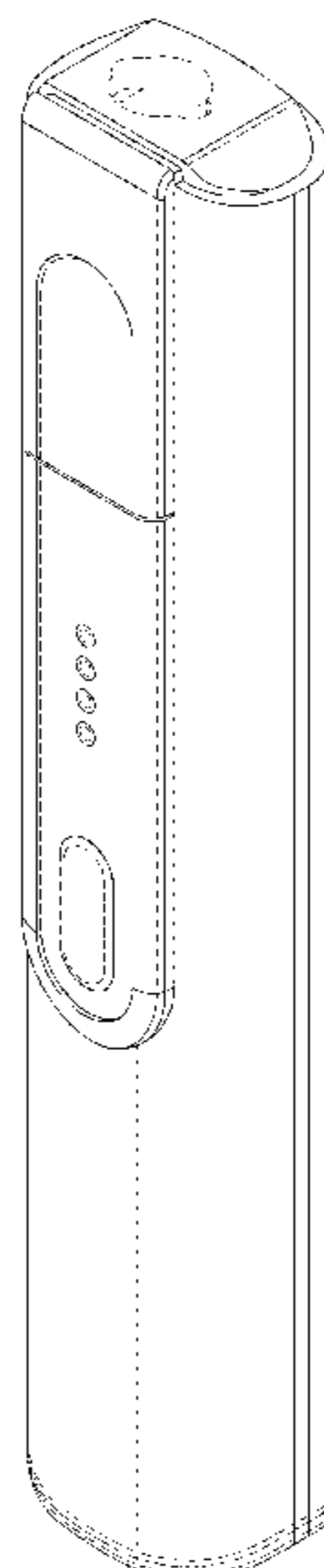
The ornamental design for an electronic cigarette, as shown and described.

DESCRIPTION

FIG. 1 is a perspective view of an electronic cigarette showing the new design;
 FIG. 2 is a front elevation view thereof;
 FIG. 3 is a rear elevation view thereof;
 FIG. 4 is a right side elevation view thereof, with the left side view a mirror image thereof;
 FIG. 5 is an enlarged top plan view thereof;
 FIG. 6 is an enlarged bottom plan view thereof; and,
 FIG. 7 is a perspective view of the electronic cigarette shown in an open position.

In the Figures the portions of the electronic cigarette shown in broken lines form no part of the claimed design. Additionally, in FIGS. 1, 2, 5, 6 and 7, the regions of the electronic cigarette that are depicted in any single Figure as completely enclosed by broken lines form no part of the claimed design. In FIG. 7, an inner region corresponding to an opening is revealed in the front of the electronic cigarette when the electronic cigarette is in the open position; a semi-opaque mask has been applied to the inner region; and the inner region of the electronic cigarette forms no part of the claimed design. A broken line is provided inside the perimeter of the inner region and forms no part of the claimed design. A solid line is located along and immediately outside the perimeter of the inner region and does form a part of the claimed design.

1 Claim, 7 Drawing Sheets



(58) **Field of Classification Search**

USPC D24/110.5, 129, 113, 112; D13/108, 144,
 D13/103, 119, 146, 168; D23/360,
 D23/364-366, 202, 262, 209, 207;
 D19/66, 73, 115, 123, 173, 177, 923,
 D19/925-929, 934, 161-166, 194-196;
 D14/480.5, 480.1, 480.3, 483, 484.1, 420,
 D14/426, 250, 137, 203.1, 203.3, 203.7,
 D14/218, 254, 411, 433-435, 435.1;
 D4/121; D9/500, 503, 504, 516, 517,
 D9/522, 523, 530, 531, 560, 444;
 D11/143, 156, 146, 54, 152, 149, 144;
 D28/85, 4, 7, 88, 90, 73-76, 77; D3/201,
 D3/11, 13, 17, 273, 274, 300
 CPC A24F 40/00; A24F 40/40; A24F 40/42;
 A24F 40/05; A24F 40/46; A24F 47/002;
 A24F 47/008; A24D 1/14; A24D 1/042;
 A24D 1/02; G06F 3/03545

See application file for complete search history.

(56) **References Cited**

U.S. PATENT DOCUMENTS

D248,047 S * 5/1978 Rappoport D27/154
 D251,072 S * 2/1979 Stuetzer D27/154
 D259,062 S * 4/1981 Stutzer D27/154
 D260,690 S * 9/1981 Stutzer D27/154
 D260,941 S * 9/1981 Figur D27/154
 D295,537 S * 5/1988 Davidson D19/117
 D301,643 S * 6/1989 Bakic D28/85

D352,638 S * 11/1994 Hsu D27/154
 D447,598 S * 9/2001 Afrouz D27/154
 D552,791 S * 10/2007 Toffler D27/161
 D645,816 S * 9/2011 Sasada D13/108
 D721,202 S * 1/2015 Liu D27/101
 D722,166 S * 2/2015 Buehl D24/174
 D750,320 S * 2/2016 Verleur H05B 3/06
 D27/163
 D770,676 S * 11/2016 Bennett D27/101
 D780,909 S * 3/2017 Burkett D24/113
 D781,293 S * 3/2017 Mitchell D14/411
 D790,126 S * 6/2017 Bennett D27/101
 D827,127 S * 8/2018 Donnelly D24/113
 D832,255 S * 10/2018 Jung D14/411
 D857,192 S * 8/2019 Burkett D24/112
 D860,516 S * 9/2019 Qiu D27/101
 D861,240 S * 9/2019 Qiu D27/101
 D870,375 S * 12/2019 Patil D27/194
 D870,959 S * 12/2019 Leon Duque D27/162
 D883,382 S * 5/2020 King D19/163
 D889,034 S * 6/2020 Stewart D27/162
 D892,800 S * 8/2020 Xu D14/411
 D894,479 S * 8/2020 Cheung D27/162
 D899,676 S * 10/2020 Liu D27/162
 D913,583 S * 3/2021 Leon Duque D27/194
 D919,881 S * 5/2021 Carlberg D27/162
 D926,355 S * 7/2021 Liu D27/162
 D929,036 S * 8/2021 Leon Duque D27/194
 2011/0221712 A1 * 9/2011 Liang G06F 3/03545
 345/179
 2017/0064997 A1 * 3/2017 Murison B67D 7/62
 2017/0099878 A1 * 4/2017 Murison H02J 7/0044
 2020/0237007 A1 * 7/2020 Qiu H01M 10/4257
 2021/0204614 A1 * 7/2021 Ferrie A24F 40/60

* cited by examiner

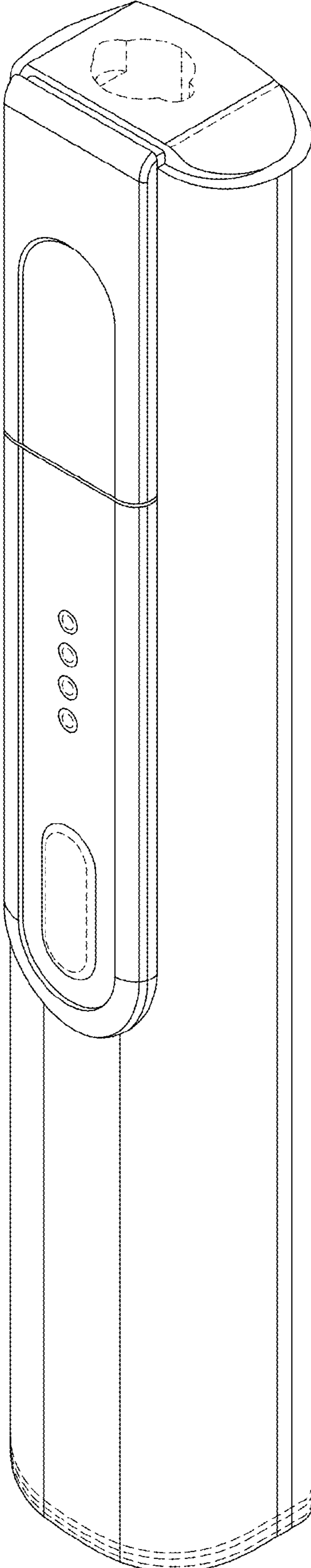


FIG. 1

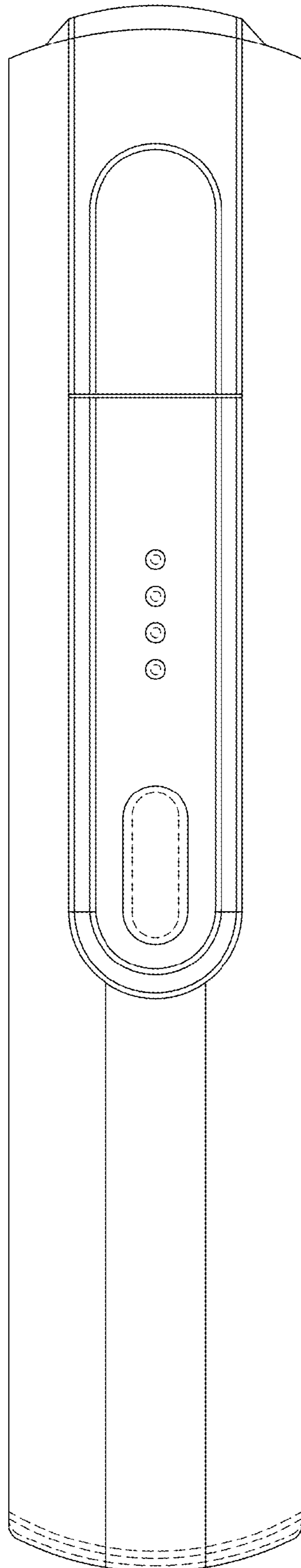


FIG. 2

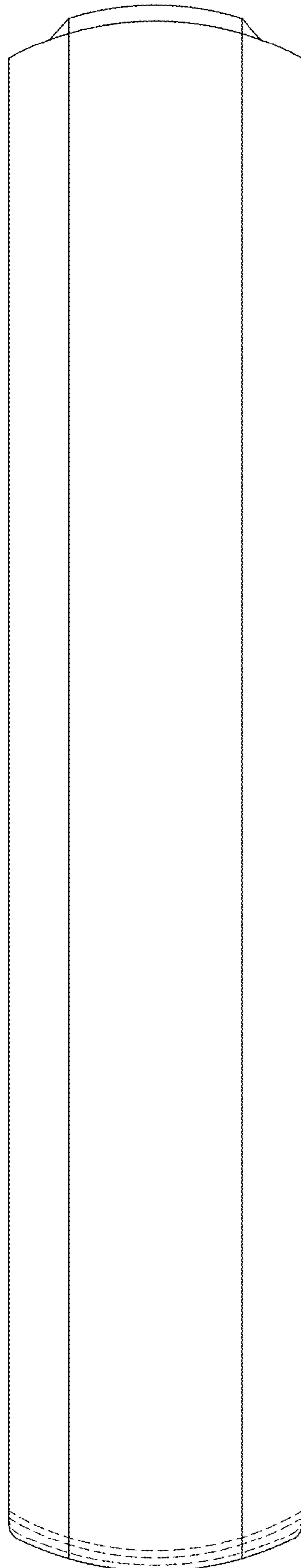


FIG. 3

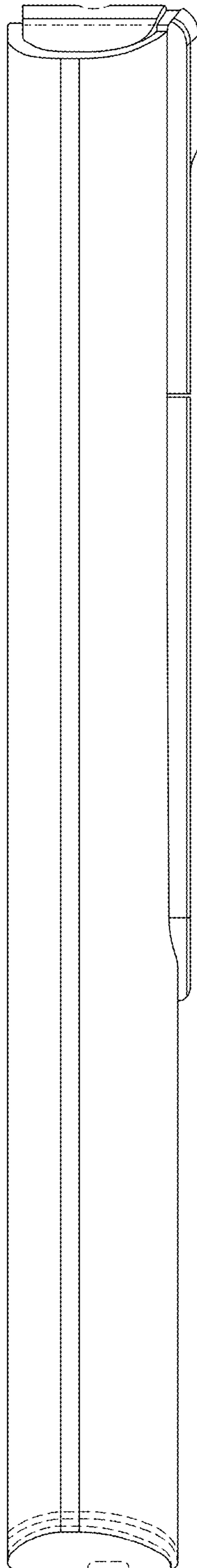


FIG. 4

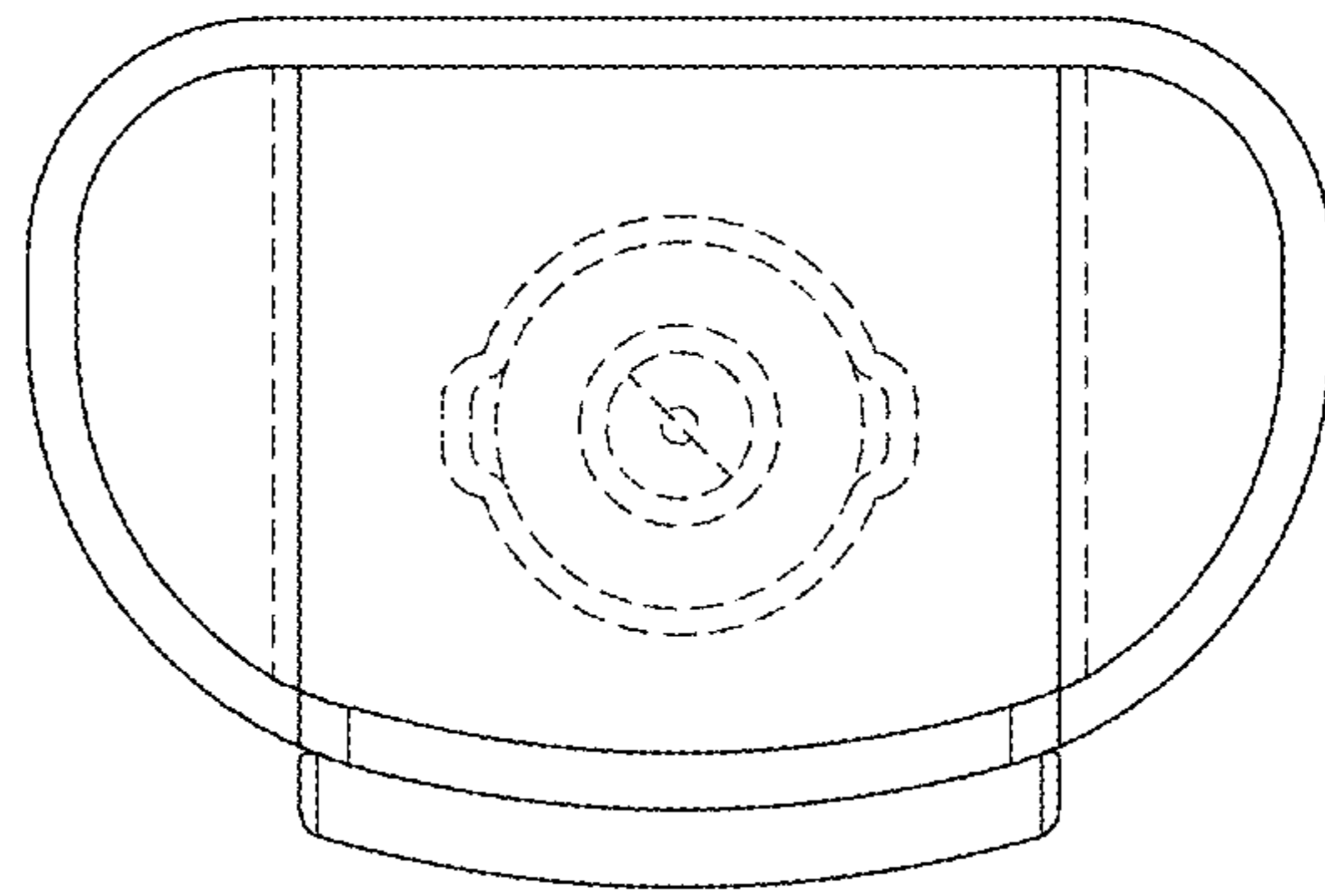


FIG. 5

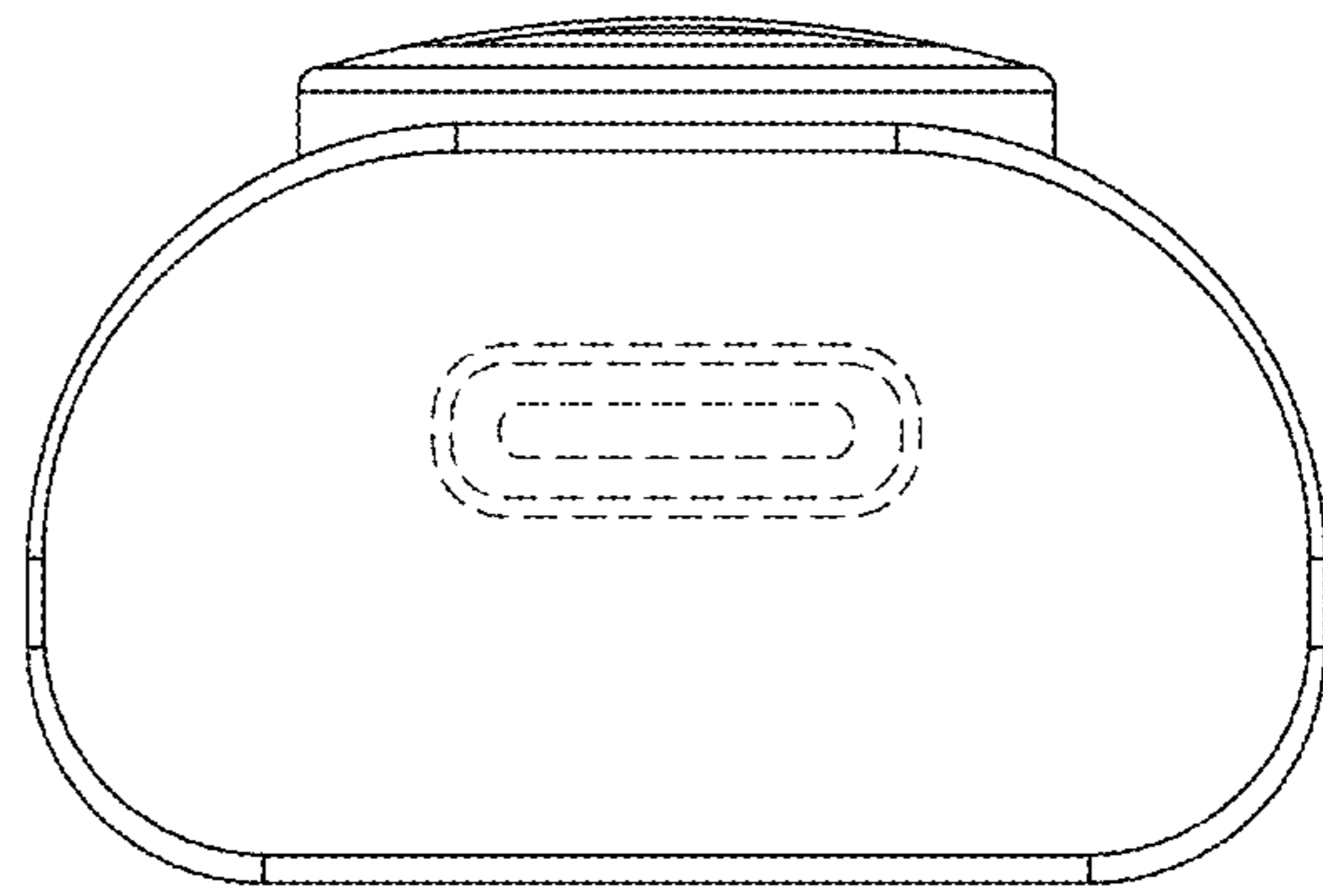


FIG. 6

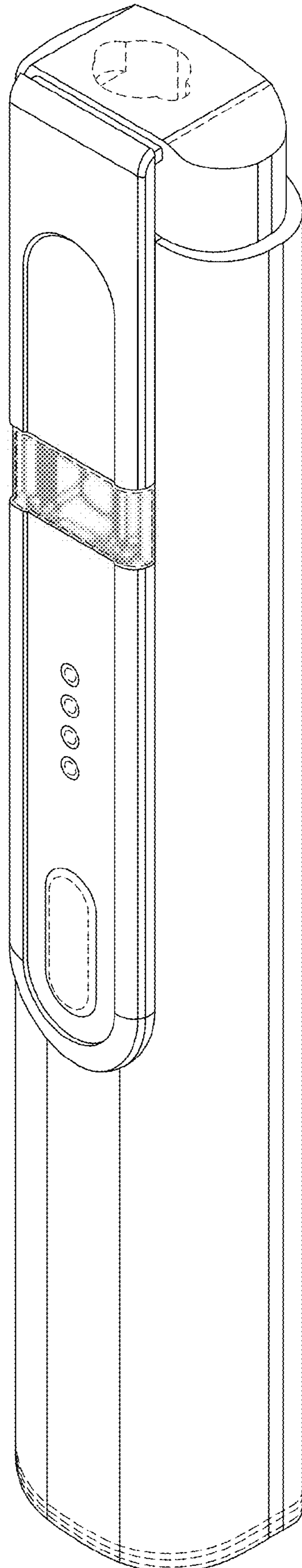


FIG. 7