



US00D952236S

(12) **United States Design Patent** (10) **Patent No.:** **US D952,236 S**  
**Zhang** (45) **Date of Patent:** **\*\* May 17, 2022**

(54) **TABLE LAMP**  
(71) Applicant: **OPPLE LIGHTING CO., LTD.**,  
Shanghai (CN)  
(72) Inventor: **Xiaoxiao Zhang**, Shanghai (CN)  
(73) Assignee: **Opple Lighting Co., Ltd.**, Shanghai  
(CN)

D804,704 S \* 12/2017 Xia ..... D26/107  
D812,802 S \* 3/2018 Garrett ..... D26/90  
D827,188 S \* 8/2018 Sonneman ..... D26/90  
D835,330 S \* 12/2018 Richardson ..... D26/107  
D840,583 S \* 2/2019 Yu ..... D26/107  
D912,127 S \* 3/2021 Wu ..... D16/235  
D918,450 S \* 5/2021 Raghunathan ..... D26/51  
D927,048 S \* 8/2021 Chen ..... D26/138  
D935,684 S \* 11/2021 Wu ..... D26/107  
D945,048 S \* 3/2022 Zhou ..... D26/106

(\*\*) Term: **15 Years**

**FOREIGN PATENT DOCUMENTS**

(21) Appl. No.: **29/634,479**

CN 3045262523 3/2018

(22) Filed: **Jan. 22, 2018**

**OTHER PUBLICATIONS**

(51) **LOC (13) Cl.** ..... **26-05**

Chinese Design Issue Announcement issued in CN201730415595.  
1, dated Mar. 2, 2018, 3 pages.

(52) **U.S. Cl.**  
USPC ..... **D26/145**; D26/93

(58) **Field of Classification Search**  
USPC ..... D26/72, 80, 81, 84, 85, 86, 87, 88, 90,  
D26/91, 93, 103-105, 145  
CPC .. F21S 2/005; F21S 4/002; F21S 4/008; F21S  
8/031; F21S 8/038; F21S 8/04; F21S  
8/043; F21S 8/046; F21S 8/06; F21S  
8/061; F21S 8/063; F21S 8/065; F21S  
8/066; F21S 8/068  
See application file for complete search history.

\* cited by examiner

*Primary Examiner* — Richard Kearney  
*Assistant Examiner* — Benjamin M Weeks  
(74) *Attorney, Agent, or Firm* — Arch & Lake LLP

(56) **References Cited**

(57) **CLAIM**

The ornamental design for a table lamp, as shown and described.

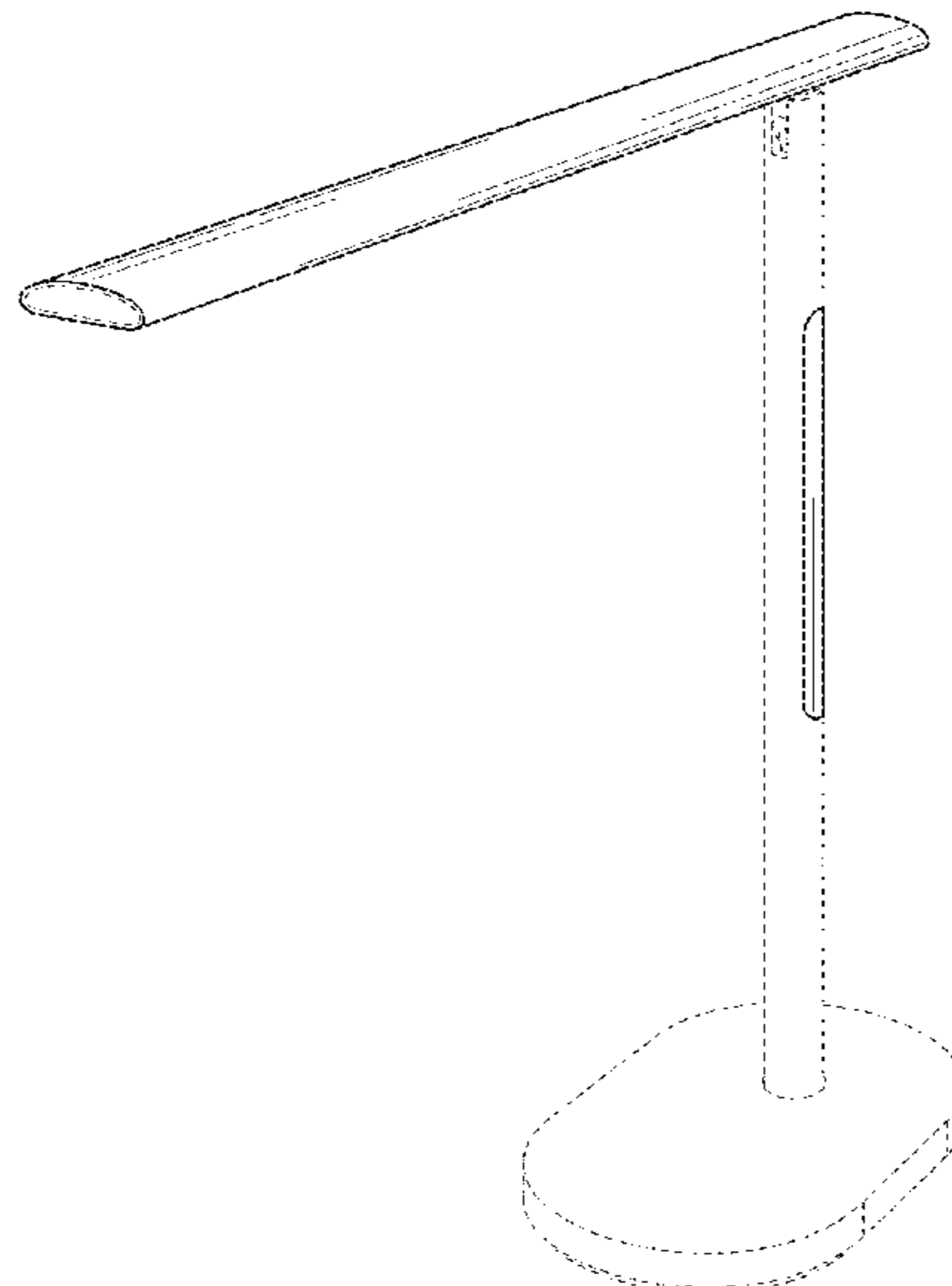
**U.S. PATENT DOCUMENTS**

**DESCRIPTION**

D622,885 S \* 8/2010 Ng ..... D26/65  
D639,491 S \* 6/2011 Chen ..... D26/93  
D639,987 S \* 6/2011 Federico ..... D26/106  
D640,818 S \* 6/2011 Ng ..... D26/65  
D649,276 S \* 11/2011 Sabernig ..... D26/84  
D649,675 S \* 11/2011 Sabernig ..... D26/84  
D654,612 S \* 2/2012 Ng ..... D26/80  
D655,438 S \* 3/2012 Sabernig ..... D26/83  
D676,997 S \* 2/2013 Tang ..... D26/87  
D677,420 S \* 3/2013 Laviani ..... D26/93  
D681,865 S \* 5/2013 Lee ..... D26/107  
D763,496 S \* 8/2016 Tran ..... D26/88

FIG. 1 is a top perspective view of a table lamp;  
FIG. 2 is a front elevational view thereof;  
FIG. 3 is a rear elevational view thereof;  
FIG. 4 is a left side elevational view thereof;  
FIG. 5 is a right side elevational view thereof;  
FIG. 6 is a top plan view thereof; and,  
FIG. 7 is a bottom plan view thereof.  
The broken lines depict portions of the article that form no part of the claimed design.

**1 Claim, 7 Drawing Sheets**



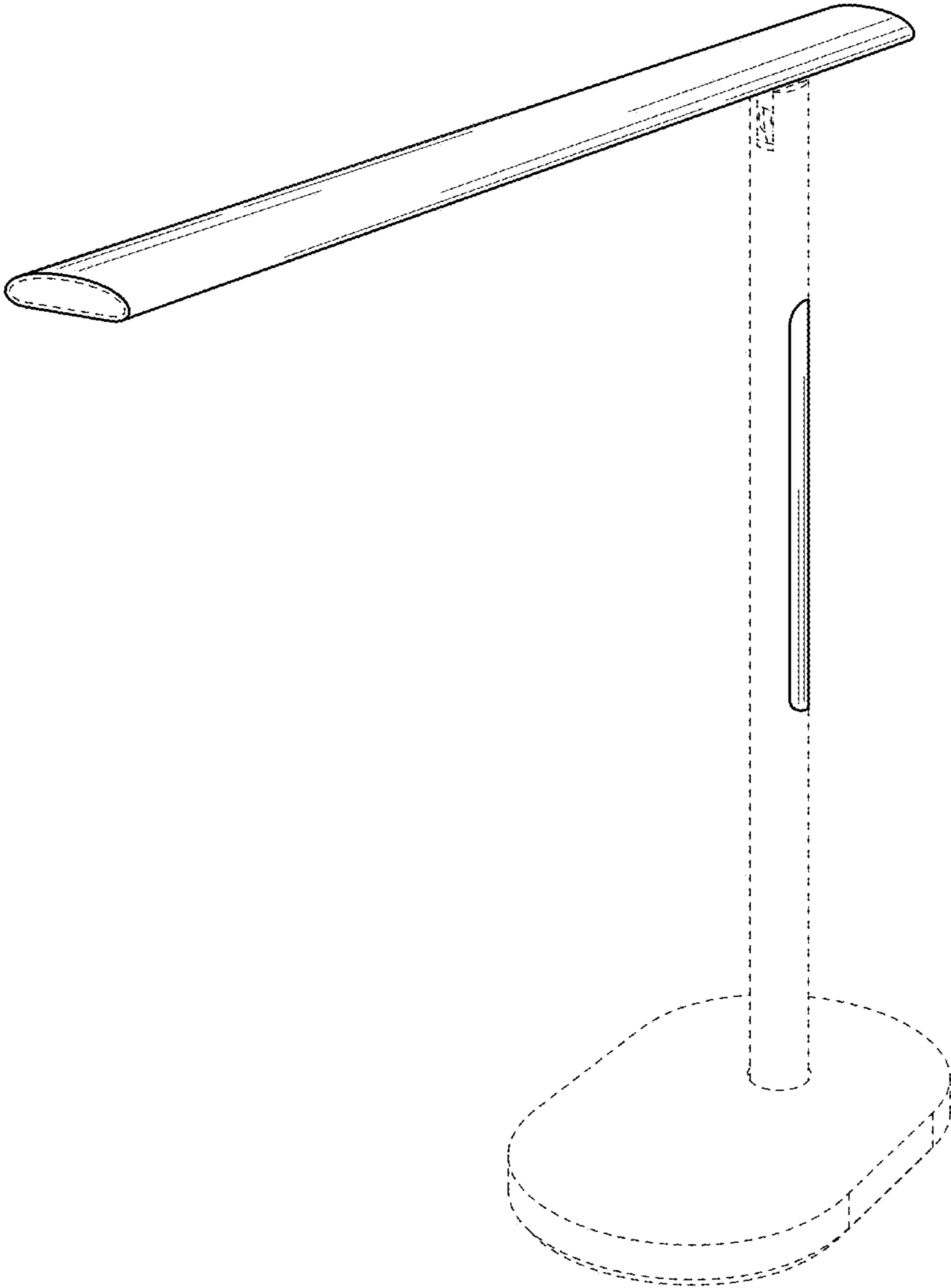


FIG. 1

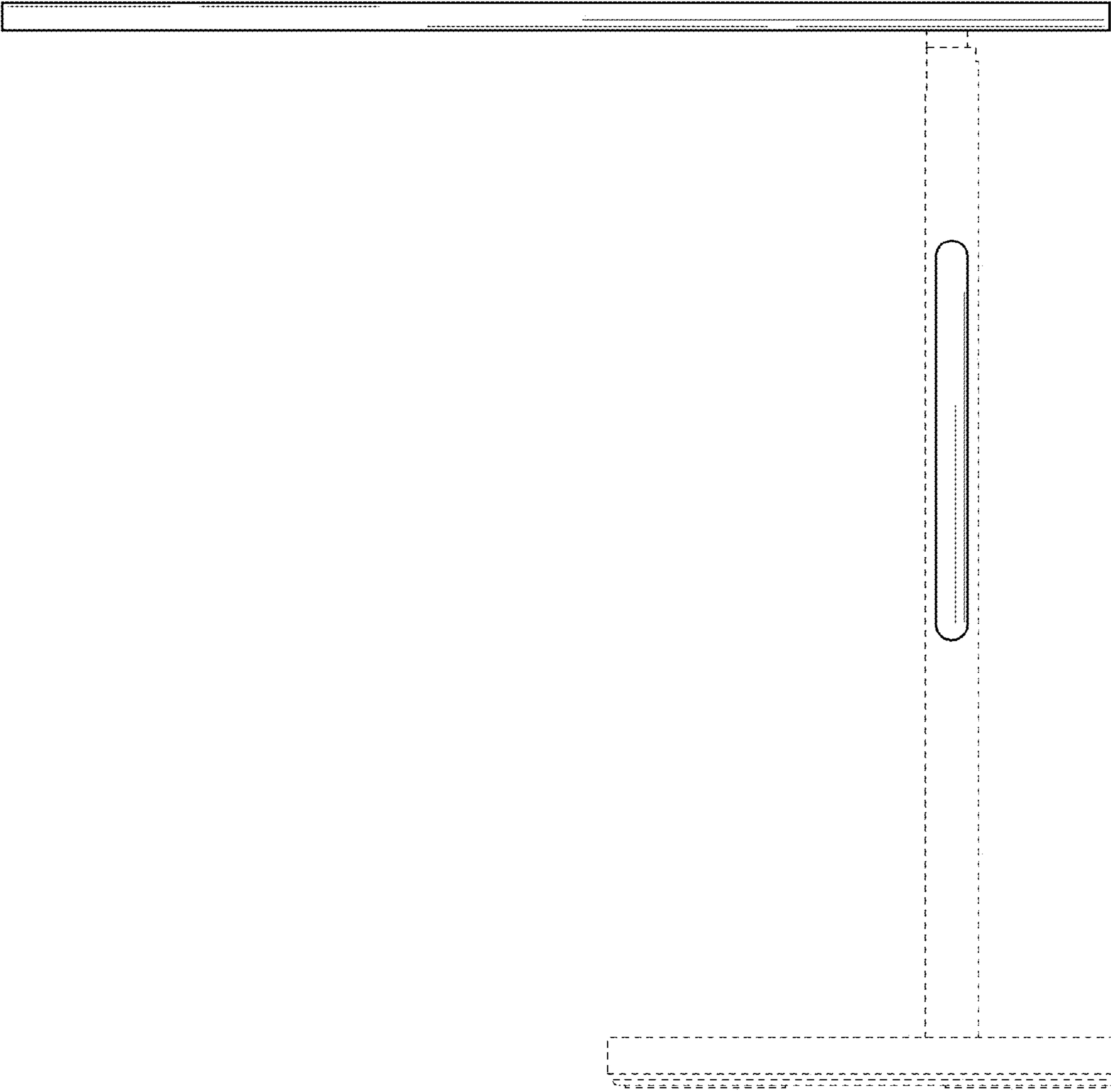


FIG. 2

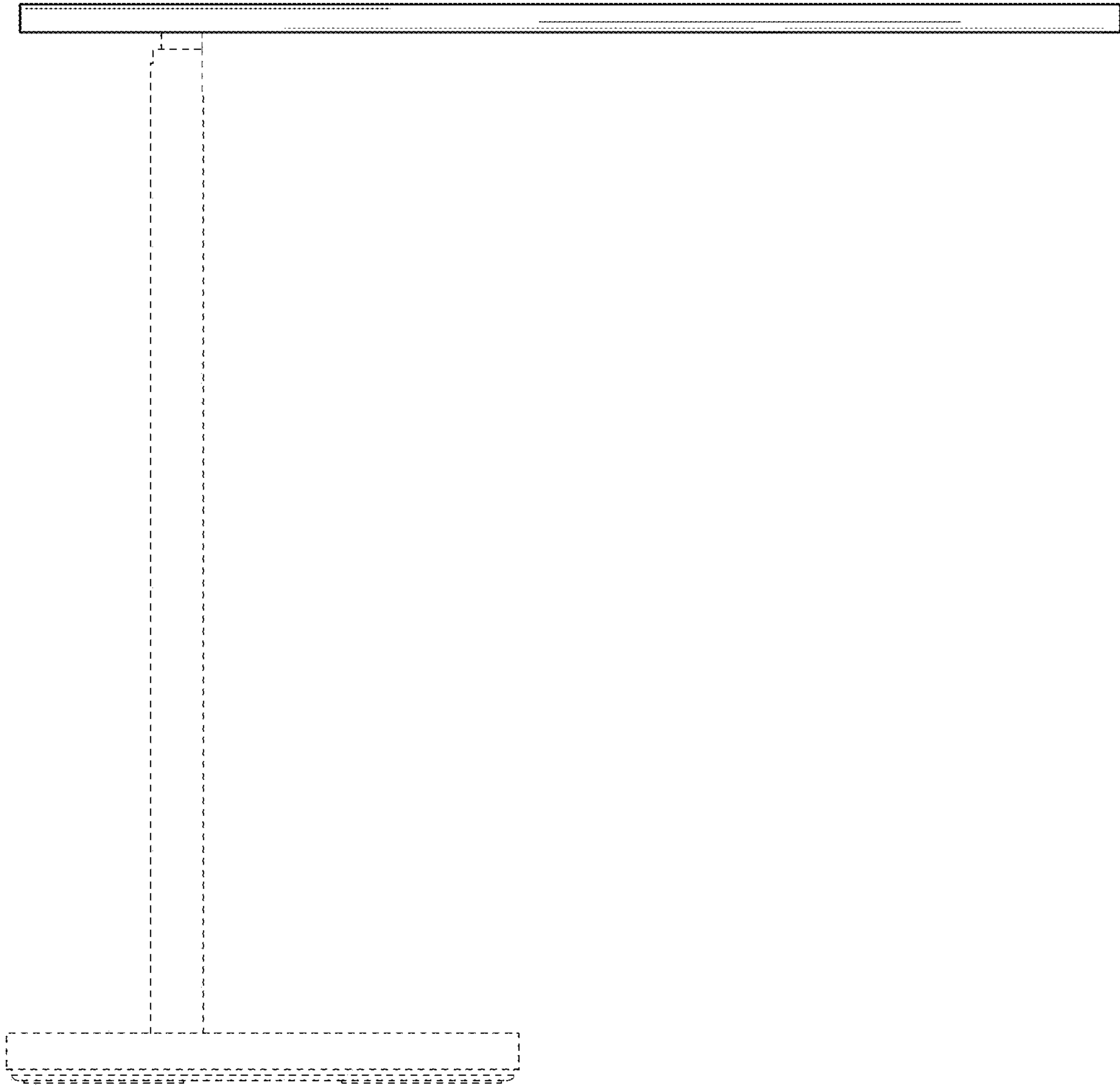


FIG. 3

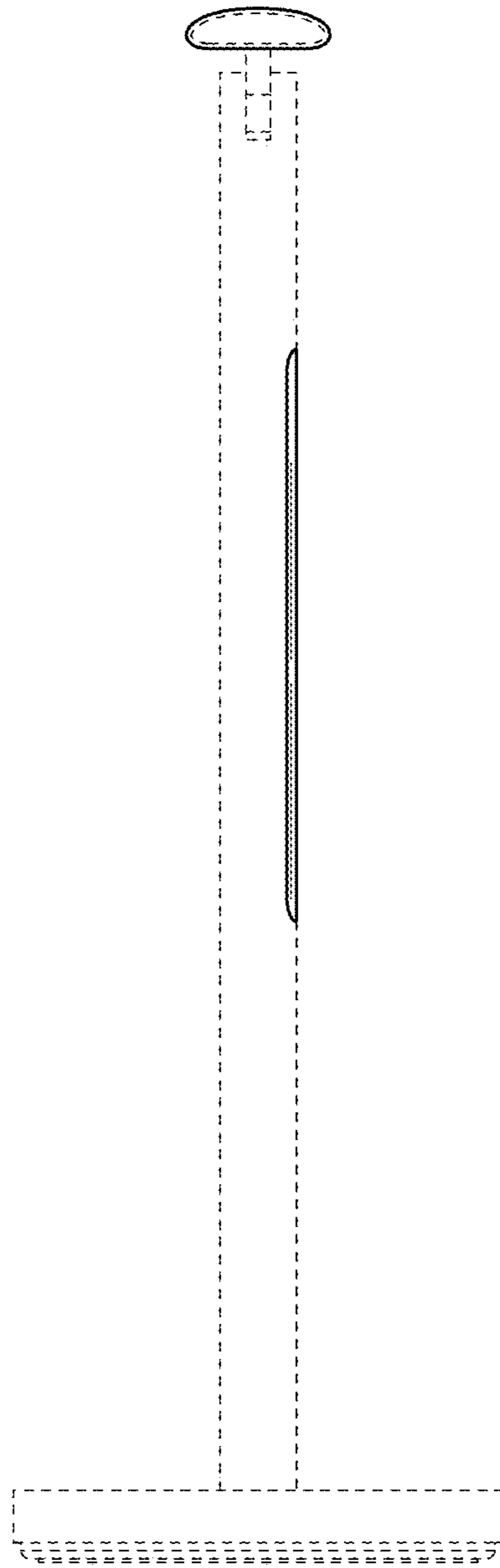


FIG. 4

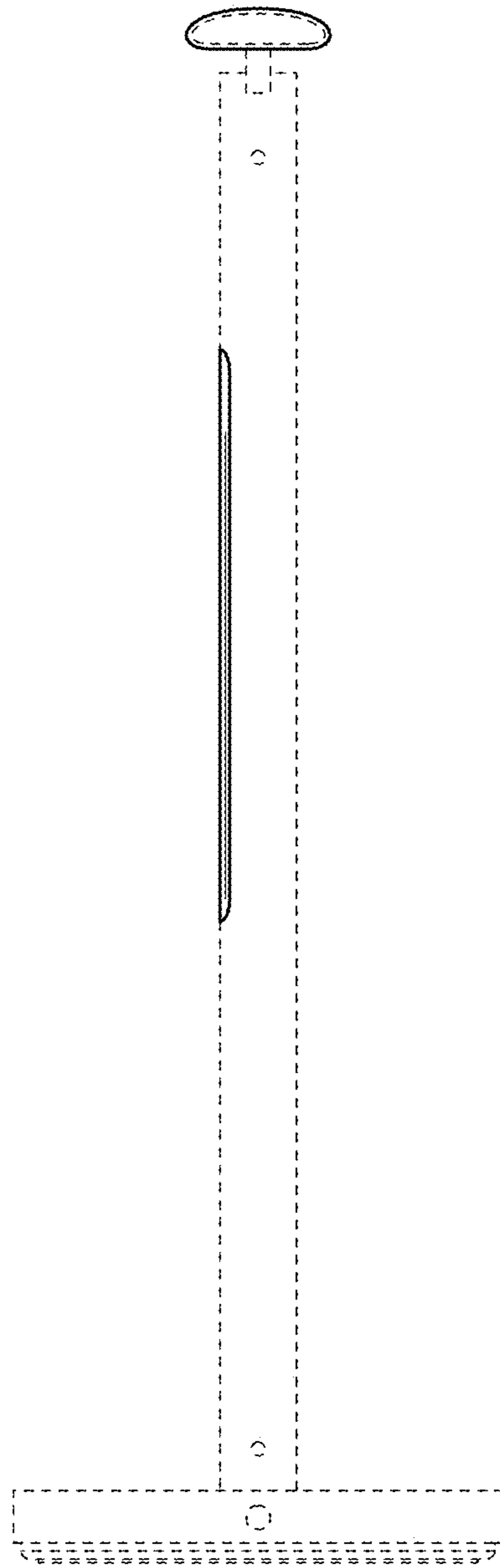


FIG. 5

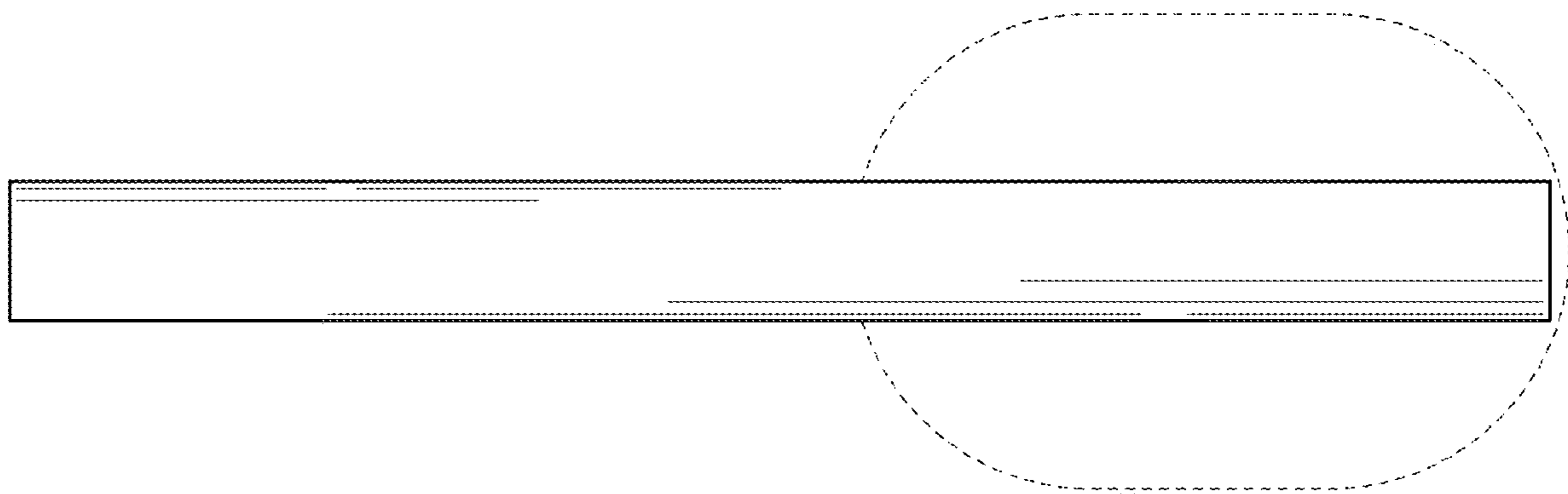


FIG. 6

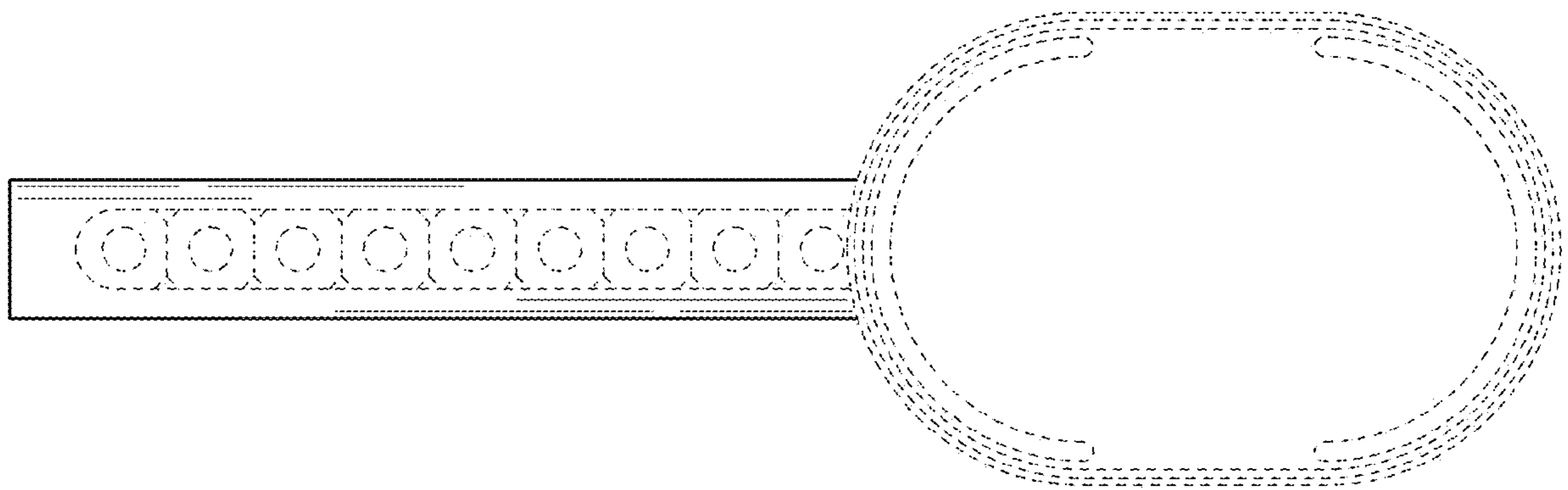


FIG. 7