



US00D952234S

(12) **United States Design Patent** (10) **Patent No.:** **US D952,234 S**  
**Deurwaarder** (45) **Date of Patent:** **\*\* May 17, 2022**

(54) **LIGHTING FIXTURE**  
(71) Applicant: **SIGNIFY HOLDING B.V.**, Eindhoven (NL)  
(72) Inventor: **Wessel Peter Deurwaarder**, Eindhoven (NL)  
(73) Assignee: **SIGNIFY HOLDING B.V.**, Eindhoven (NL)

(\*\*) Term: **15 Years**  
(21) Appl. No.: **29/682,280**  
(22) Filed: **Mar. 4, 2019**

(30) **Foreign Application Priority Data**  
Sep. 25, 2018 (EM) ..... 005657806-0001  
(51) **LOC (13) Cl.** ..... **26-03**  
(52) **U.S. Cl.**  
USPC ..... **D26/89**  
(58) **Field of Classification Search**  
USPC ..... D26/85, 88, 89, 91, 118  
CPC .... F21S 8/03; F21S 8/033; F21S 8/036; F21S 8/04; F21S 8/043; F21S 8/046; F21S 8/06; F21S 8/061; F21S 8/063; F21S 8/065  
See application file for complete search history.

(56) **References Cited**  
U.S. PATENT DOCUMENTS  
D155,680 S \* 10/1949 Baker ..... D26/86  
5,537,304 A \* 7/1996 Klaus ..... F21S 8/04  
362/147  
D437,446 S \* 2/2001 Reo ..... D26/91  
D551,382 S \* 9/2007 Curtin ..... D26/89  
D603,083 S \* 10/2009 Trumble ..... D26/90  
D831,262 S \* 10/2018 Amato ..... D26/88  
D834,235 S \* 11/2018 Gambrel ..... D26/89

D837,435 S \* 1/2019 Richardson ..... D26/82  
D843,633 S \* 3/2019 Zheng ..... D26/89  
D891,681 S \* 7/2020 Amato ..... D26/89  
10,969,535 B2 \* 4/2021 Sieberth ..... G02B 6/0048  
2017/0299153 A1 \* 10/2017 Hsu ..... F21V 17/002  
2018/0328573 A1 \* 11/2018 Behnke ..... F21S 8/06

**OTHER PUBLICATIONS**

MADSERDERZ Led Ceiling Light, ASIN: B08968GXKC available from amazon.com May 26, 2020. (Year: 2020).\*  
4 Square Flush Mount Ceiling Light Model No. ET2813642 from ET2 Lighting, Spec Sheet downloaded from lightology.com Aug. 3, 2021. (Year: 2021).\*  
Philips Hue Econic Outdoor White & Color Wall & Ceiling Light Fixture, ASIN: B07NDF3VPH available from amazon.com Feb. 19, 2019. (Year: 2019).\*  
LUTEC 300-Lumen Grey Motion Sensing Solar LED Outdoor Wall Sconce, available from homedepot.com, visited Dec. 29, 2021. (Year: 2021).\*  
Abbey 1-Light Sand Black LED Outdoor Wall Mount Lantern, available from homedepot.com as early as Aug. 14, 2020. (Year: 2020).\*

(Continued)

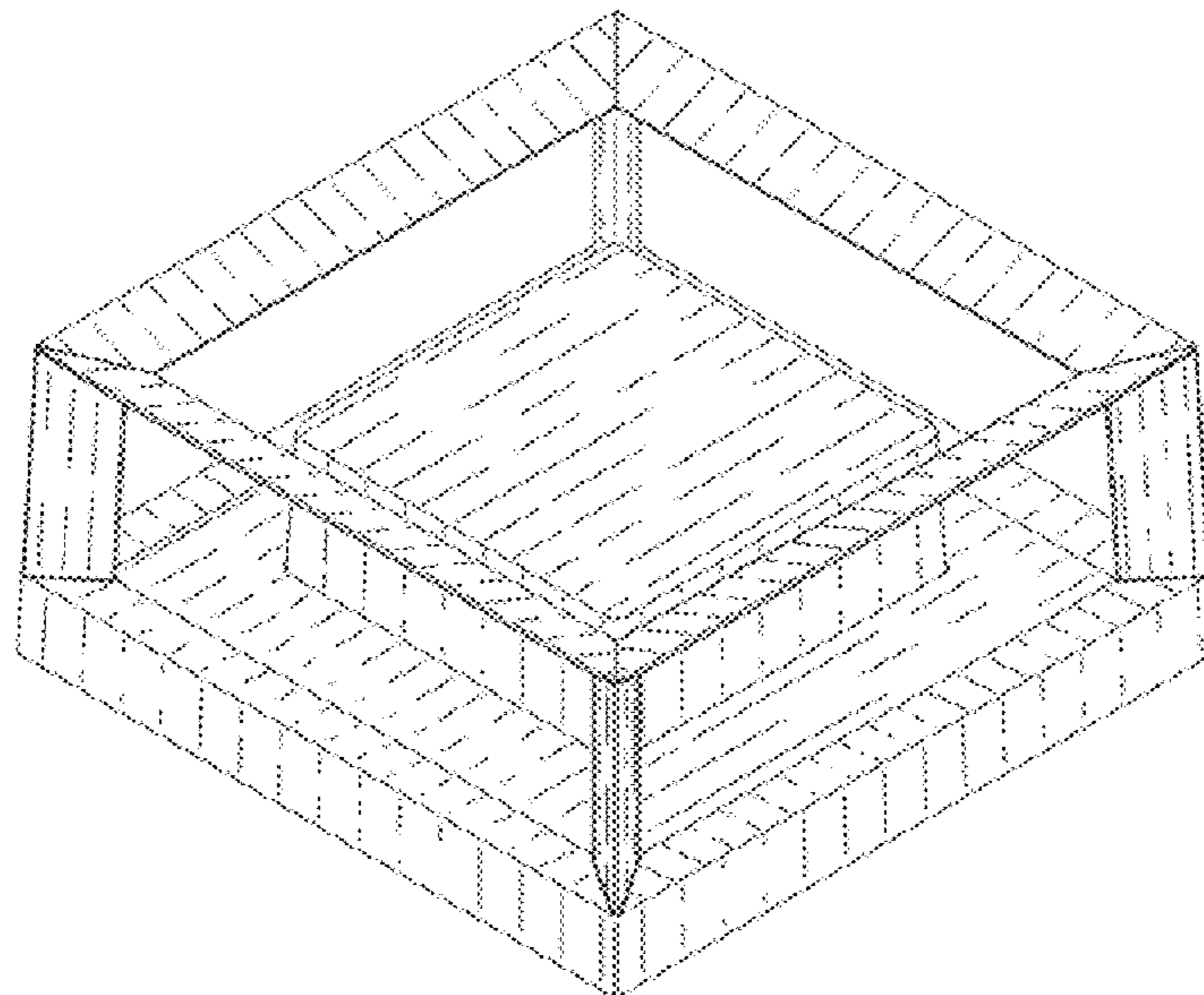
*Primary Examiner* — Clare E Heflin  
(74) *Attorney, Agent, or Firm* — Daniel J. Piotrowski

(57) **CLAIM**  
The ornamental design for a “lighting fixture,” as shown and described.

**DESCRIPTION**

FIG. 1 is a perspective view showing my design;  
FIG. 2 is a front elevational view thereof;  
FIG. 3 is a rear elevational view thereof;  
FIG. 4 is a right side elevational view thereof;  
FIG. 5 is a left side elevational view thereof;  
FIG. 6 is a top plan view thereof; and,  
FIG. 7 is a bottom plan view thereof.

**1 Claim, 4 Drawing Sheets**



(56)

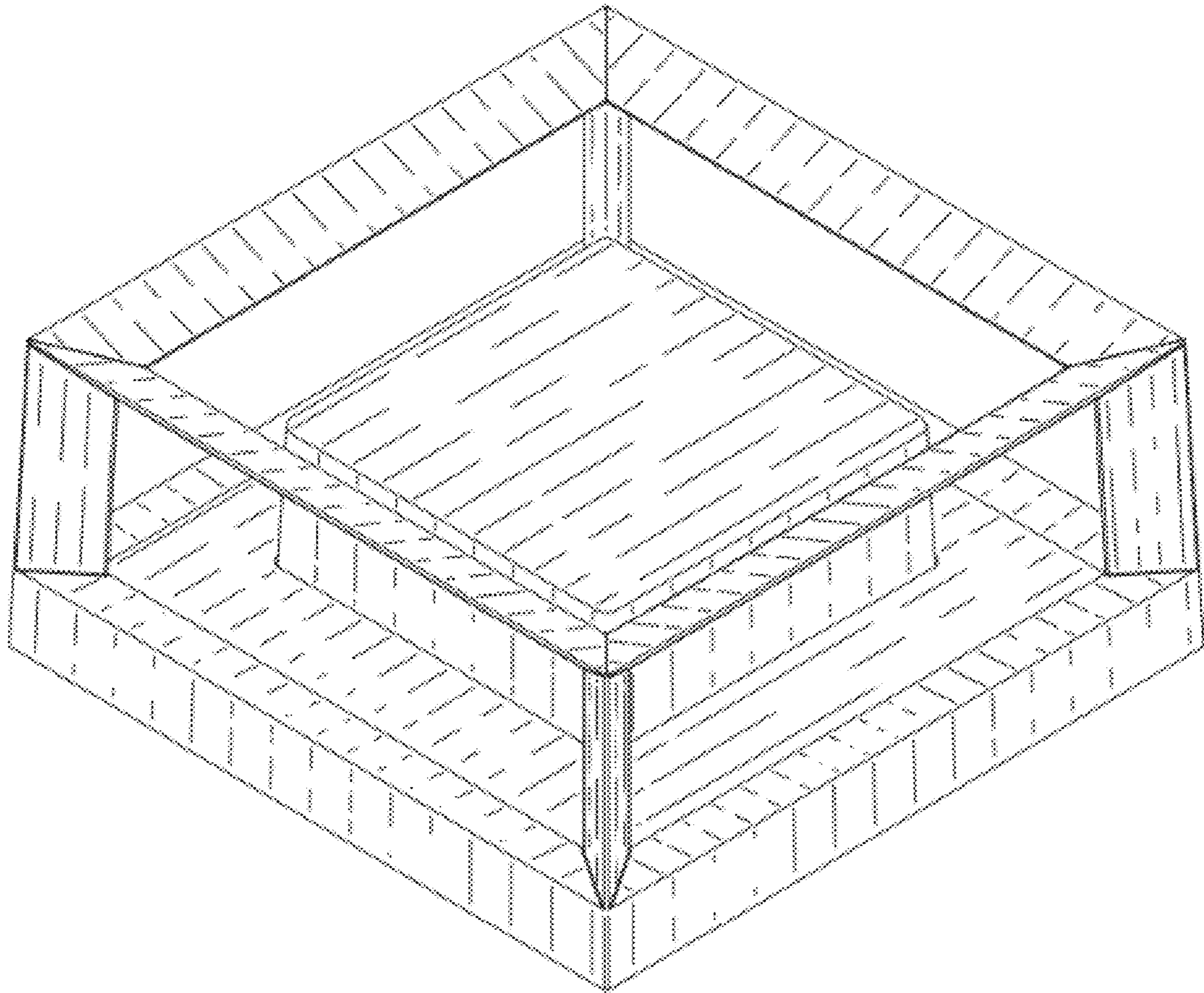
**References Cited**

OTHER PUBLICATIONS

Modern Forms Framed Outdoor Wall Light Item No. MFR415274  
from [lightology.com](http://lightology.com), visited Dec. 29, 2021. (Year: 2021).\*

Montur S LED wall Lamp by Delta Light, available from [nostraforma.com](http://nostraforma.com), visited Dec. 29, 2021. (Year: 2021).\*

\* cited by examiner



**FIG. 1**

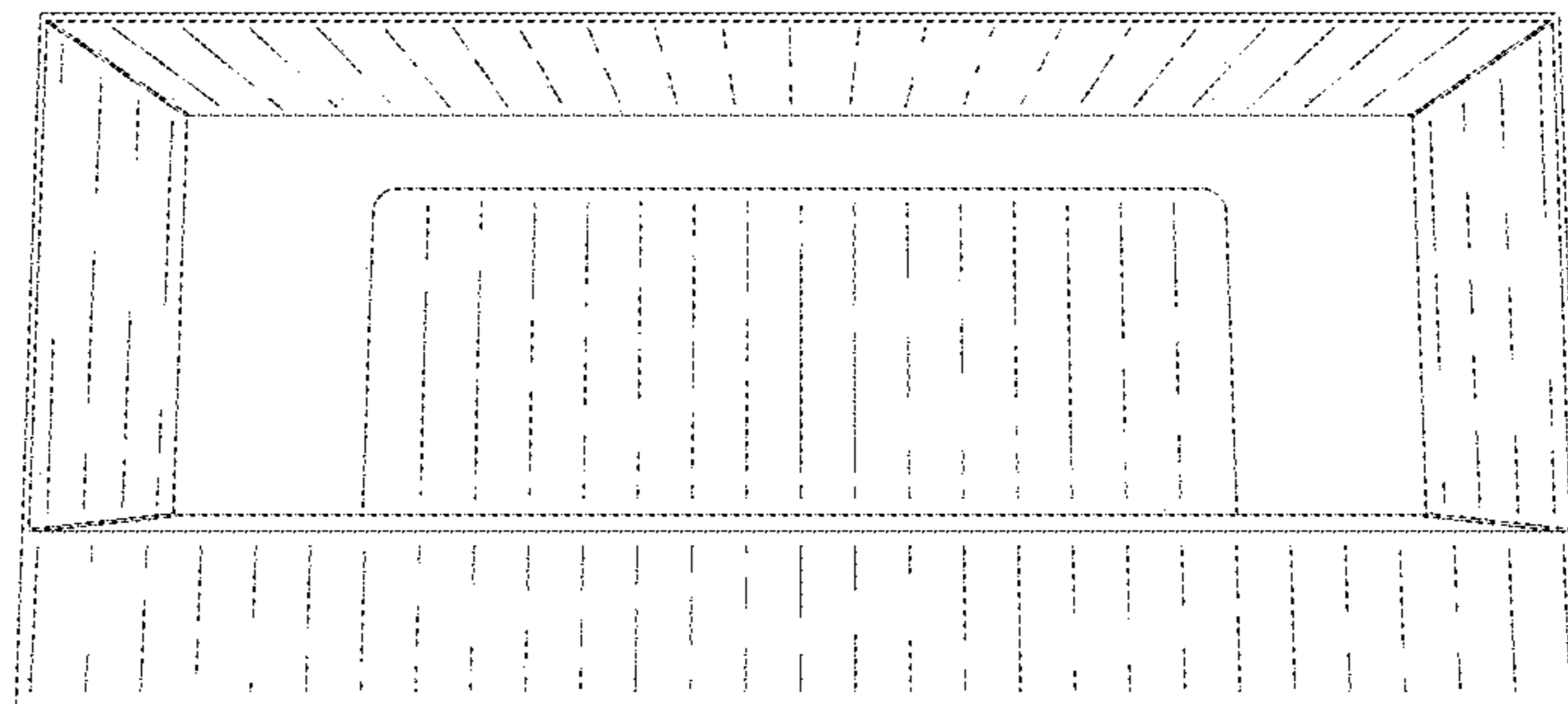


FIG. 2

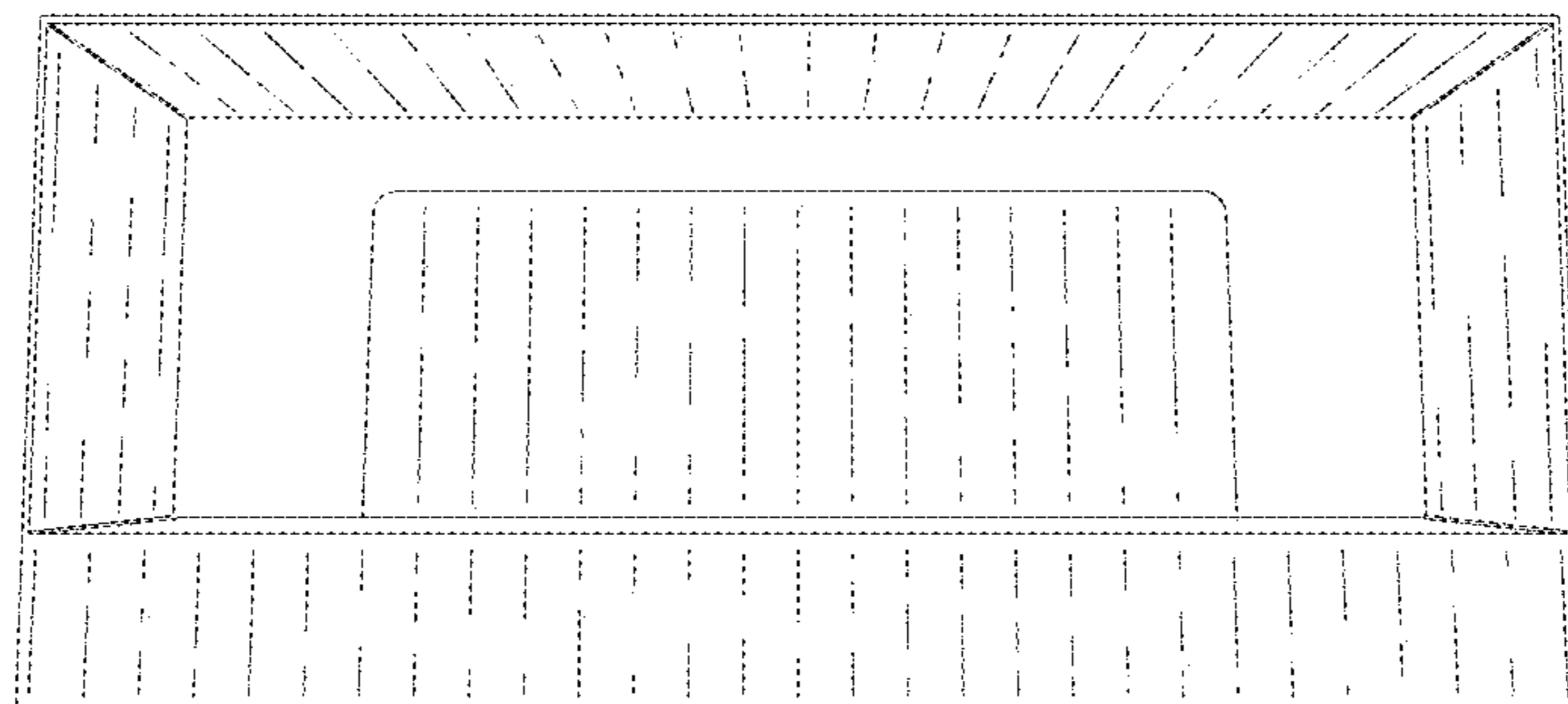


FIG. 3

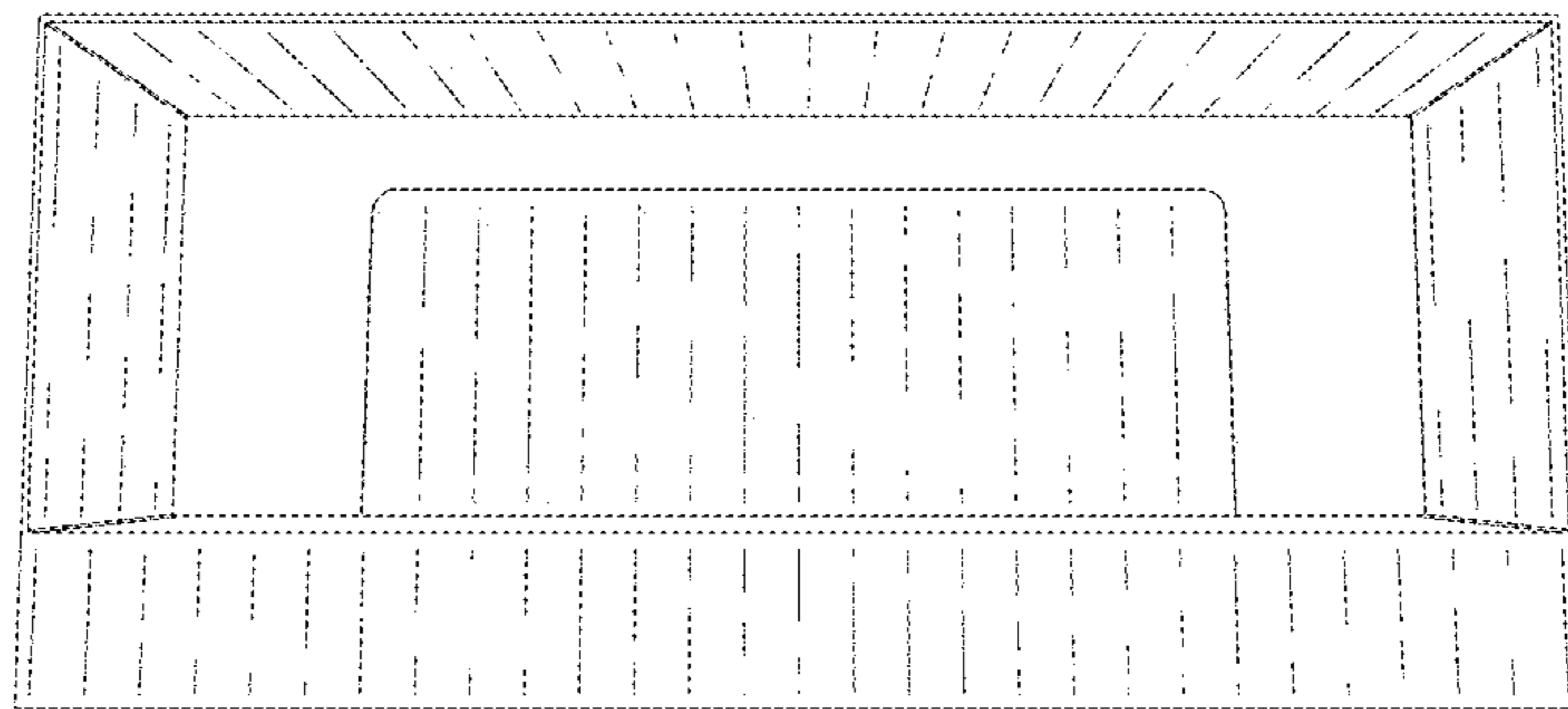


FIG. 4

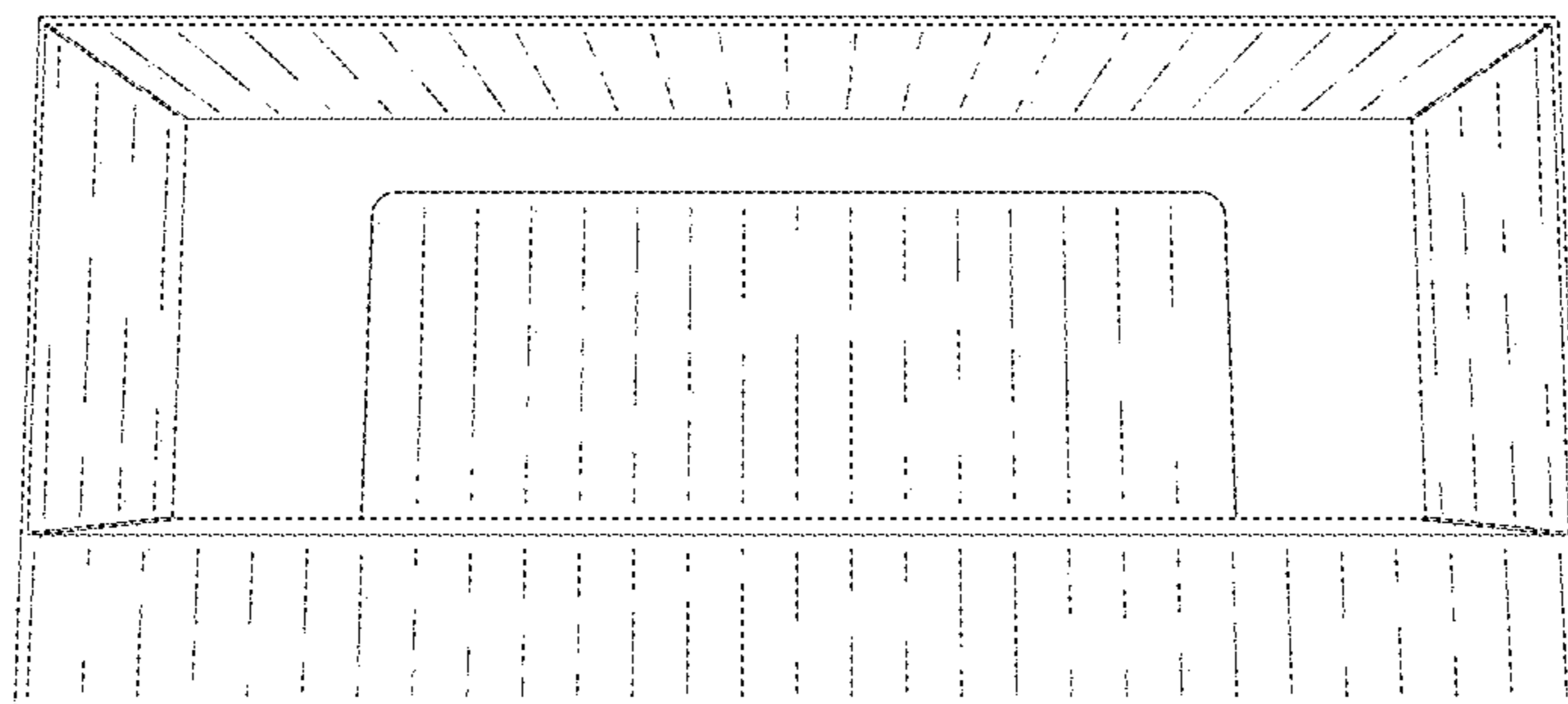


FIG. 5

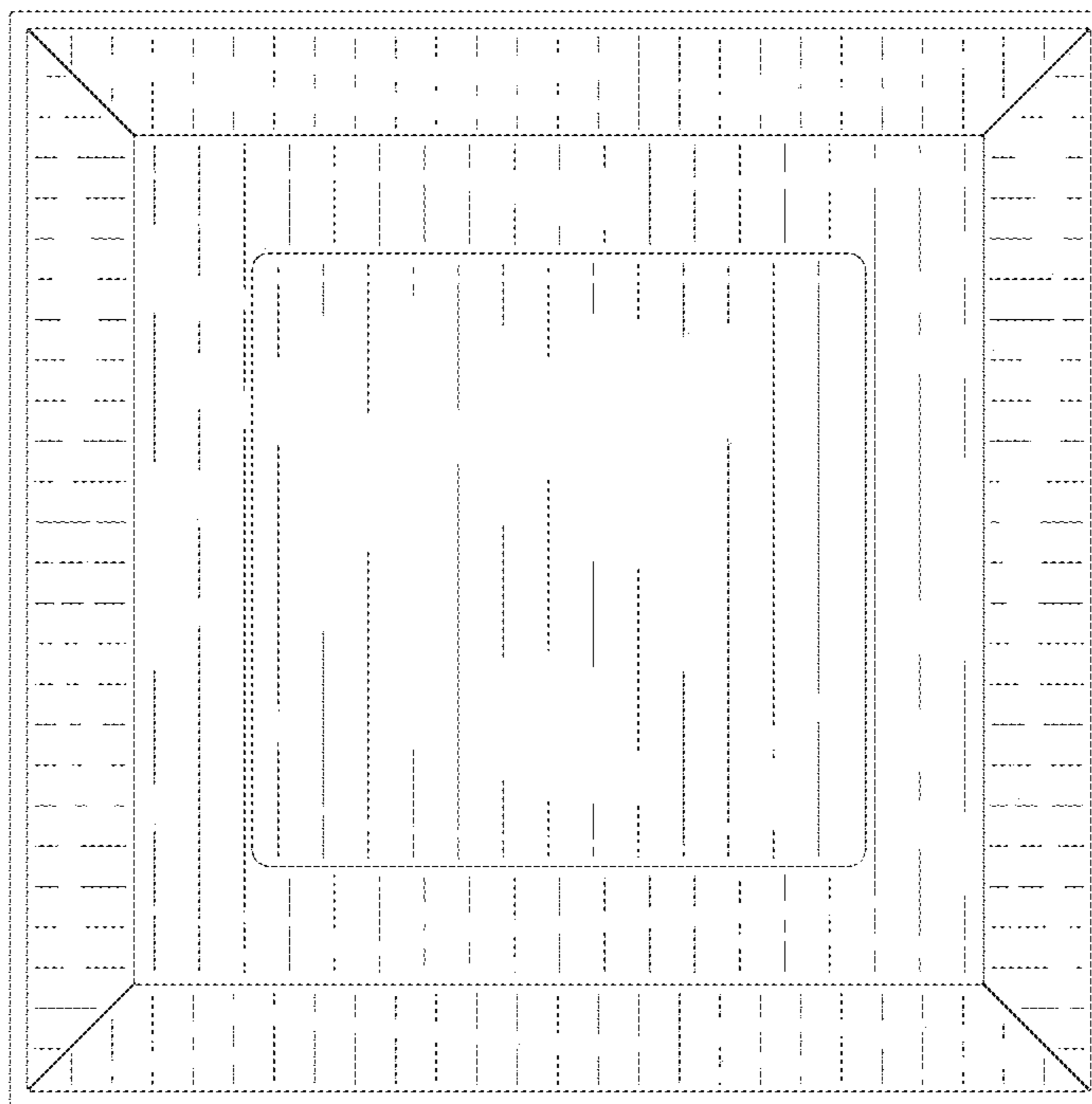


FIG. 6

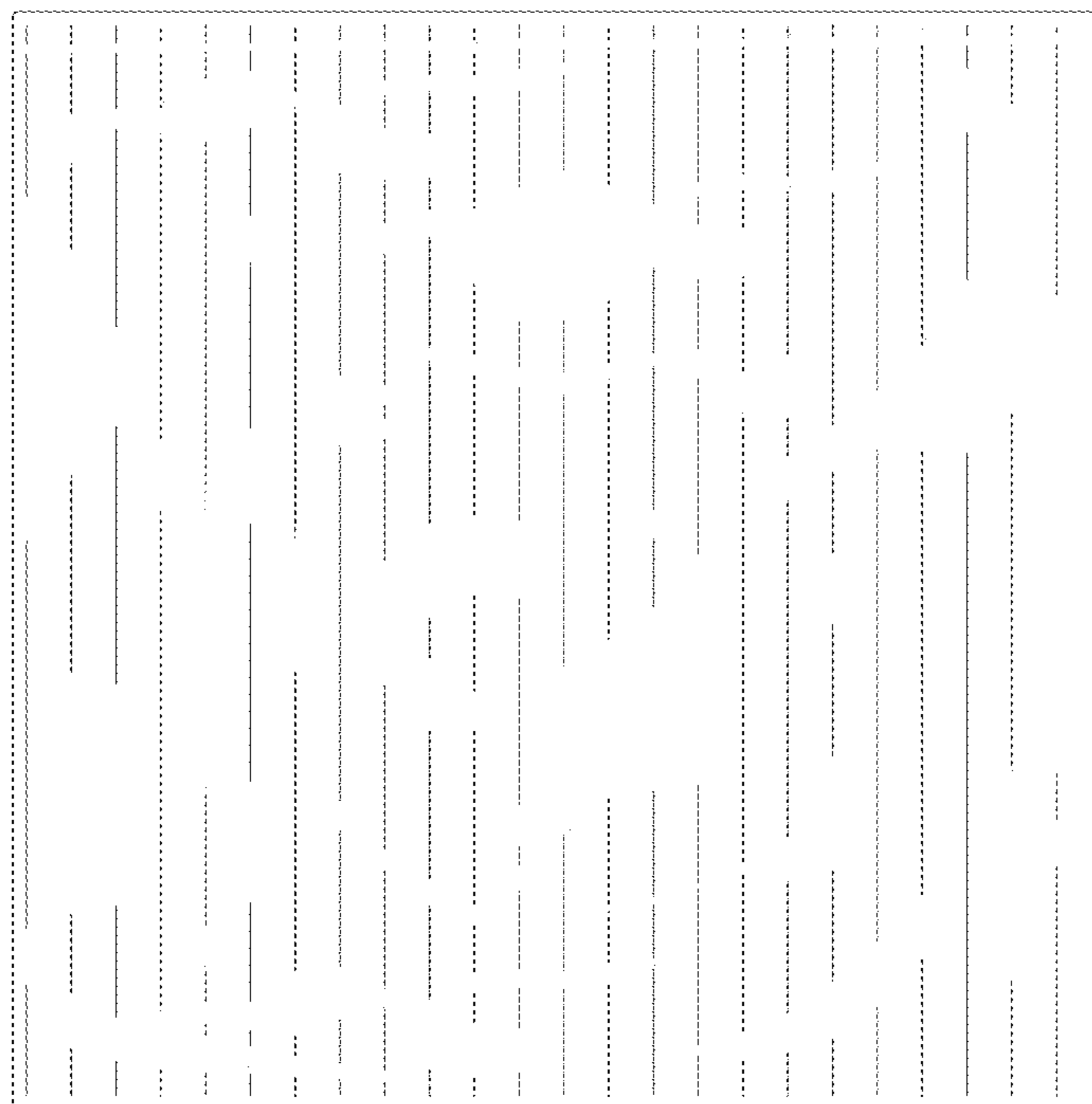


FIG. 7