



US00D952232S

(12) **United States Design Patent**
Metersky et al.

(10) **Patent No.:** **US D952,232 S**
(45) **Date of Patent:** **** May 17, 2022**

(54) **LIGHTING FIXTURE**

(71) Applicant: **Trueing Studio LLC**, Long Island City, NY (US)

(72) Inventors: **Joshua J. Metersky**, Brooklyn, NY (US); **Aiden A. Bowman**, Brooklyn, NY (US)

(73) Assignee: **Trueing Studio LLC**, Long Island, NY (US)

(**) Term: **15 Years**

(21) Appl. No.: **29/734,019**

(22) Filed: **May 8, 2020**

(51) **LOC (13) Cl.** **26-05**

(52) **U.S. Cl.**
USPC **D26/88**

(58) **Field of Classification Search**
USPC D26/24, 83, 84, 88, 123, 124; D11/13
CPC F21S 8/00; F21S 8/03; F21S 8/06; F21S 8/033; F21S 8/036; F21S 8/061
See application file for complete search history.

(56) **References Cited**

U.S. PATENT DOCUMENTS

3,379,872	A *	4/1968	Devine, Jr.	F21S 8/088 362/443
D240,071	S *	5/1976	Lindquist	D26/84
D766,491	S *	9/2016	Lee	D26/89
D788,348	S *	5/2017	Hendifar	D26/88
D810,349	S *	2/2018	Sempe	D26/104
D818,179	S *	5/2018	Amato	D26/88
D828,945	S *	9/2018	Crocker	D26/81
D870,352	S *	12/2019	Arola	D26/88
D911,583	S *	2/2021	Amato	D26/84

OTHER PUBLICATIONS

Trueing, Cerine Collection. Published May 13, 2019. Searched Nov. 26, 2021. [https://www.architecturaldigest.com/story/trueing-translates-chain-link-into-blown-glass-for-a-new-collection-of-lights] (Year: 2019).*

Aldo Nason for Mazzega, Murano Glass Chain Link Ceiling Lamp. First Available 1960. Searched Nov. 26, 2021. [https://www.pamono.com/murano-glass-chain-link-ceiling-lamp-by-aldonason-for-mazzega-1960s] (Year: 1960).*

Stillux, Chain Chrome 8-Link Chandelier, First Available unknown. Searched Nov. 26, 2021. [https://artemest.com/products/chain-chrome-8-link-chandelier] (Year: 2021).*

Stillux, Chain Nickel 4-Link Pendant Lamp, First Available unknown. Searched Nov. 26, 2021. [https://artemest.com/products/chain-nickel-4-link-pendant-lamp] (Year: 2021).*

https://www.georgkargl.com/en/artist/harald-klingelhoeller (Year: 2016).*

* cited by examiner

Primary Examiner — Samantha Q Lawrence

Assistant Examiner — Melissa Adriane Santos

(74) *Attorney, Agent, or Firm* — Getz Balich LLC

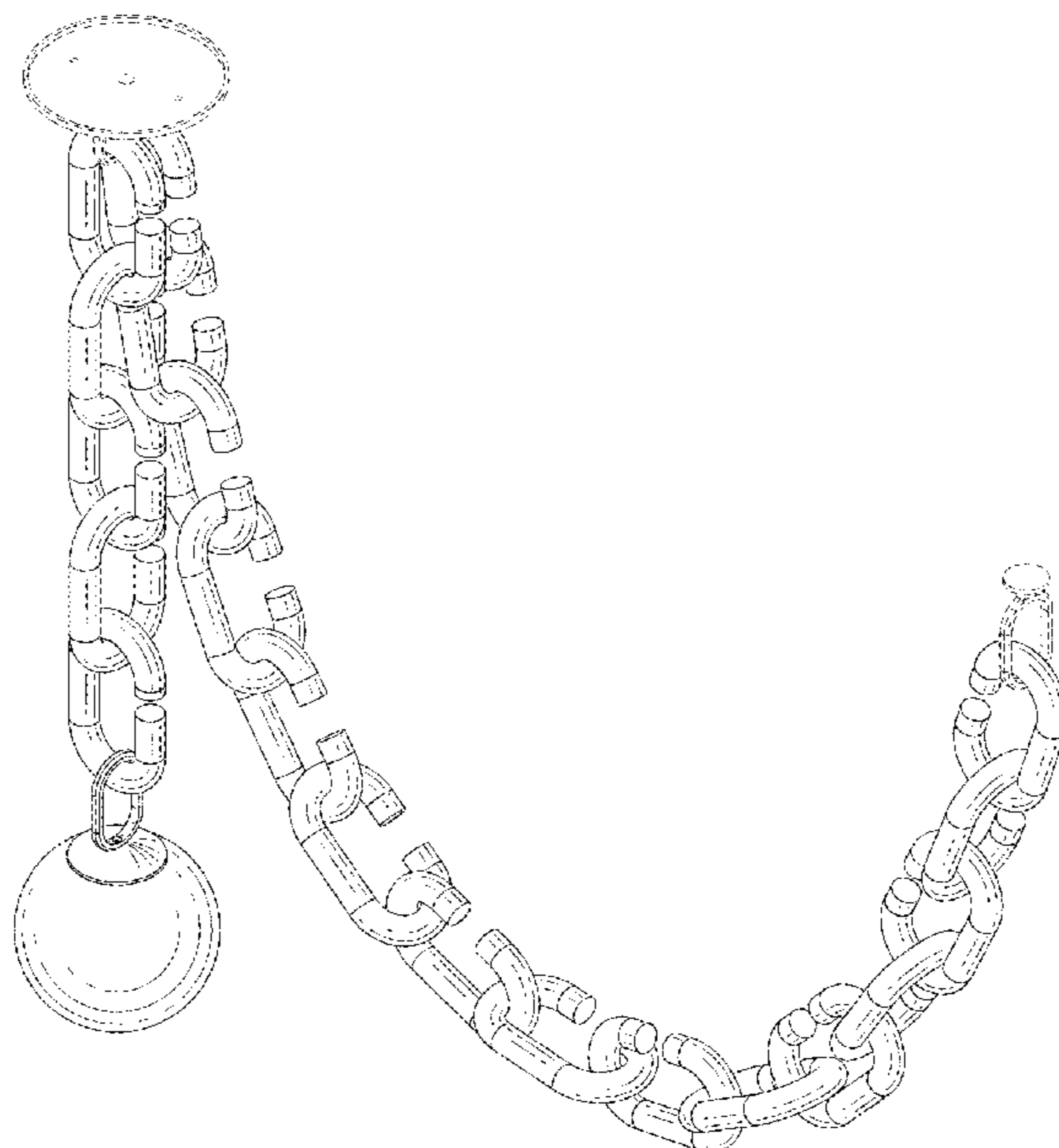
(57) **CLAIM**

The ornamental design of a lighting fixture, as shown and described.

DESCRIPTION

FIG. 1 is a top perspective view of a lighting fixture; FIG. 2 is a left-side plan view thereof; FIG. 3 is a right-side plan view thereof; FIG. 4 is a top plan view thereof; FIG. 5 is a bottom plan view thereof; FIG. 6 is a back plan view thereof; and, FIG. 7 is a front plan view thereof. The broken lines shown in FIGS. 1-7 illustrate portions of the lighting fixture that form no part of the claimed design.

1 Claim, 5 Drawing Sheets



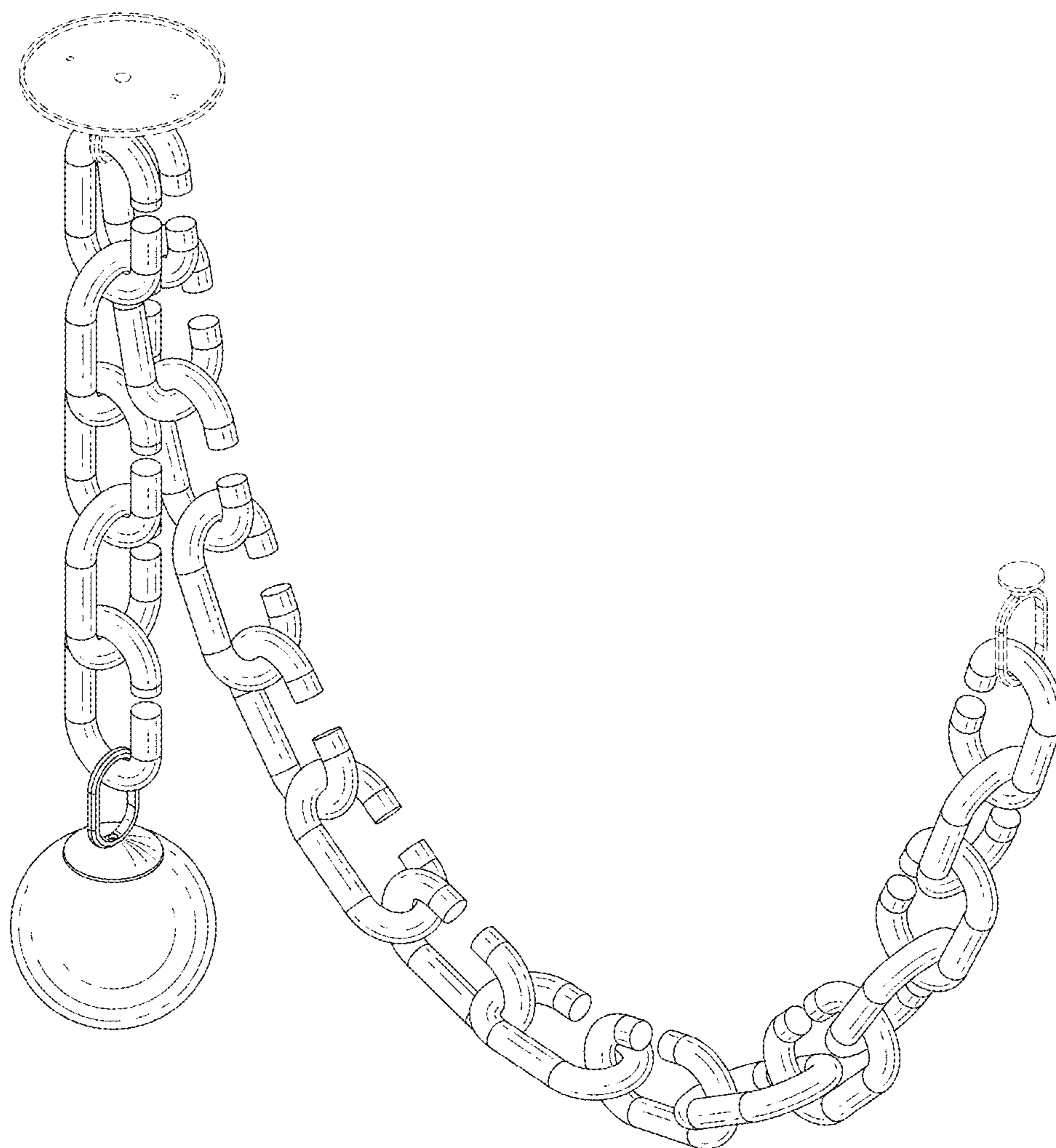


FIG. 1

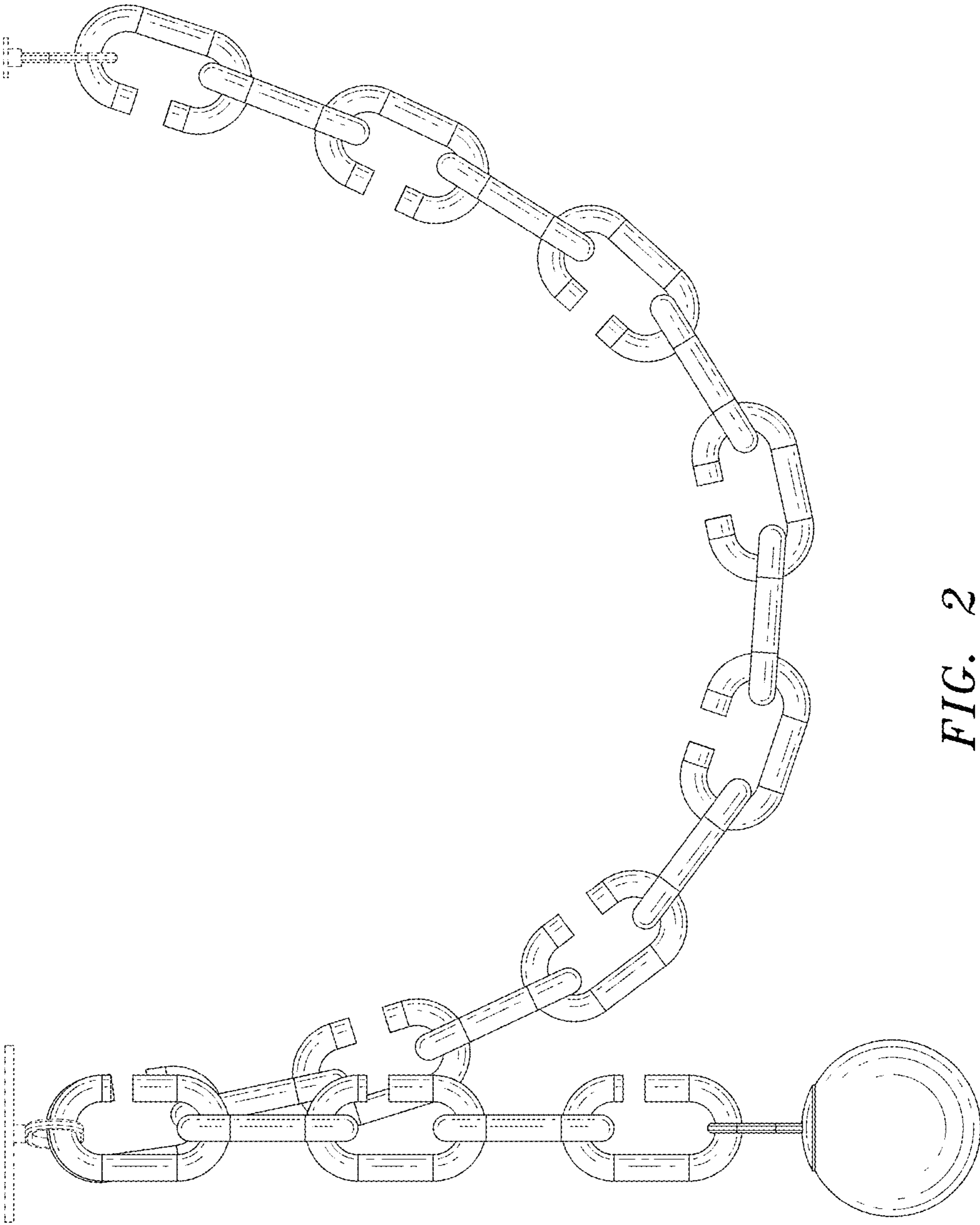


FIG. 2

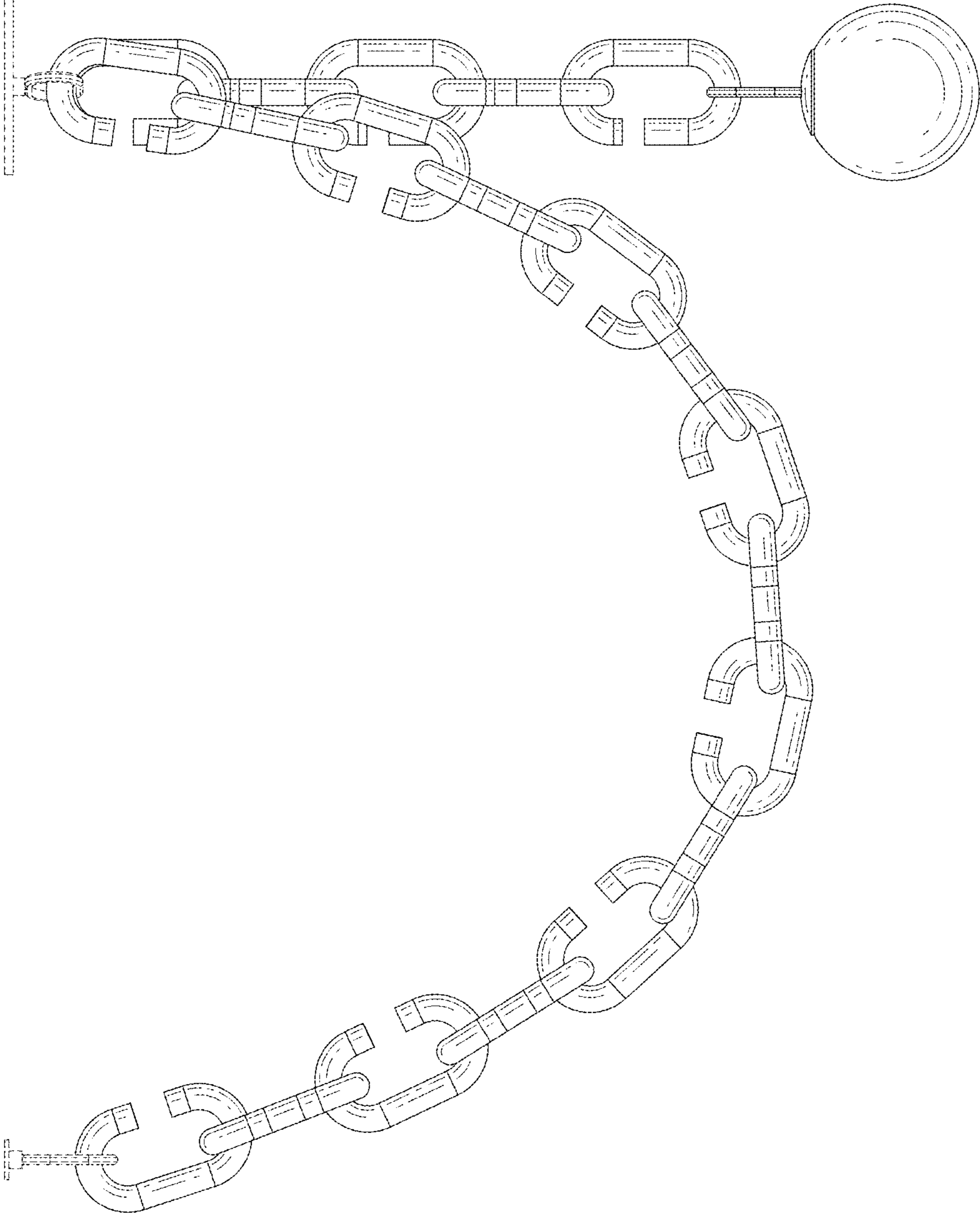


FIG. 3

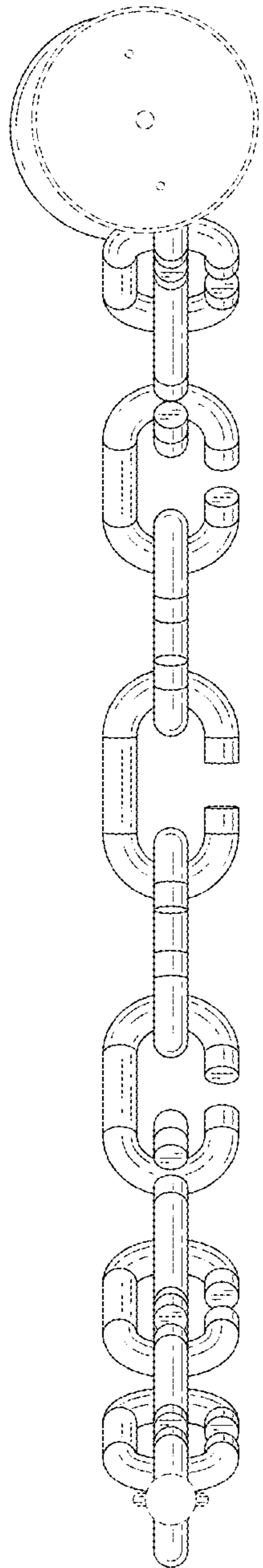


FIG. 4

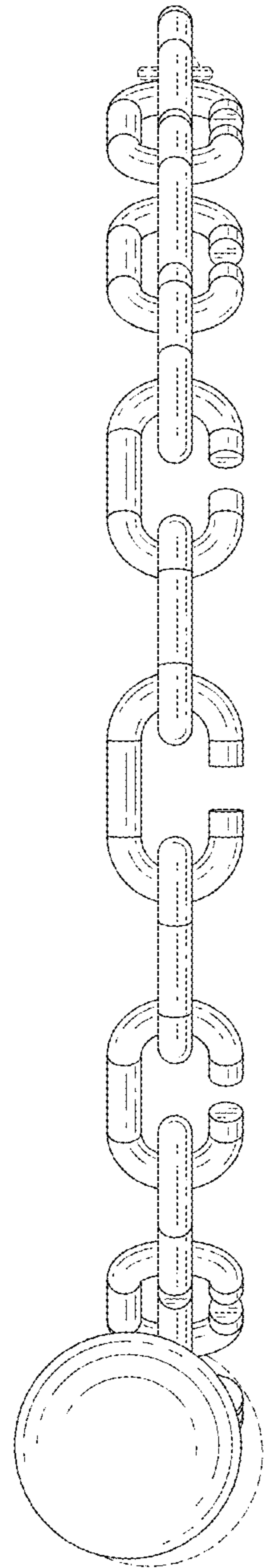


FIG. 5

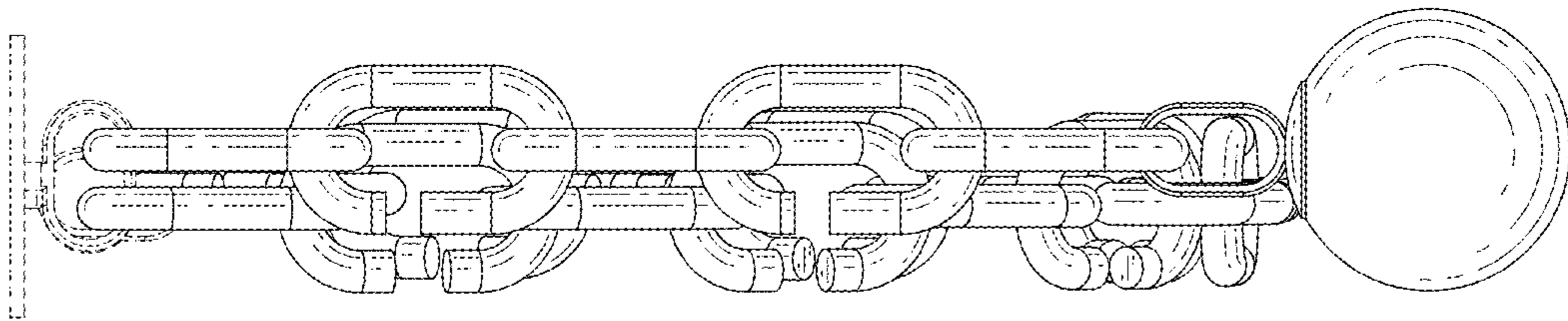


FIG. 7

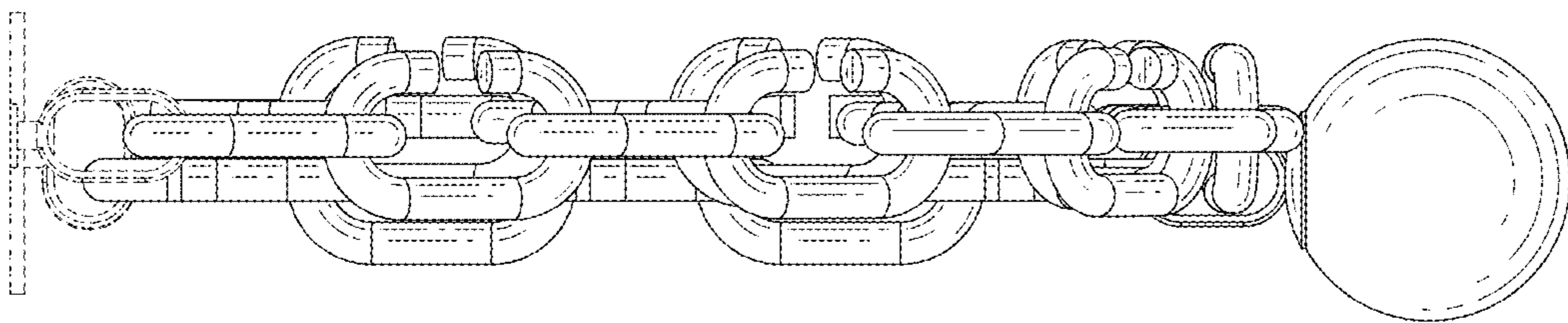


FIG. 6