



US00D952231S

(12) **United States Design Patent**
Deurwaarder

(10) **Patent No.:** **US D952,231 S**

(45) **Date of Patent:** **** May 17, 2022**

(54) **LIGHTING FIXTURE**

(71) Applicant: **SIGNIFY HOLDING B.V.**, Eindhoven (NL)

(72) Inventor: **Wessel Peter Deurwaarder**, Eindhoven (NL)

(73) Assignee: **SIGNIFY HOLDING B.V.**, Eindhoven (NL)

(**) Term: **15 Years**

(21) Appl. No.: **29/682,293**

(22) Filed: **Mar. 4, 2019**

(30) **Foreign Application Priority Data**

Sep. 25, 2018 (EM) 005657806-0002

(51) **LOC (13) Cl.** **26-03**

(52) **U.S. Cl.**
USPC **D26/87**

(58) **Field of Classification Search**
USPC D26/72, 85, 86, 87, 92
CPC .. F21S 8/033; F21S 8/035; F21S 8/036; F21S 8/046

See application file for complete search history.

(56) **References Cited**

U.S. PATENT DOCUMENTS

D100,811 S * 8/1936 Bick D26/67
D451,622 S * 12/2001 Jones D26/87
D454,652 S * 3/2002 Crelin D26/85
D465,873 S * 11/2002 De'Armond D26/87
7,914,182 B2 * 3/2011 Mrakovich F21V 29/60
362/373
D678,589 S * 3/2013 Crosby D26/85

D723,209 S * 2/2015 Orozco D26/87
D766,489 S * 9/2016 Moon D26/87
9,551,481 B1 * 1/2017 Chen F21S 8/033
D830,610 S * 10/2018 Amato D26/87
D853,620 S * 7/2019 Zhang D26/87
D903,181 S * 11/2020 Fu D26/85
2019/0333349 A1 * 10/2019 Hsu F21V 21/26

OTHER PUBLICATIONS

Emliviar Outdoor Wall Sconce Model No. YE19108W, ASIN: B082F55YBF available at amazon.com Feb. 28, 2019. (Year: 2019).*
Philips Hue Eonic Smart Outdoor White & Color Wall Lantern, ASIN: B07NDHCV36 available from amazon.com Feb. 19, 2019. (Year: 2019).*
Home Luminaire 31703 Spence 1-Light Outdoor Wall Lantern, ASIN: B07MP1KH9T, available from amazon.com Dec. 11, 2018. (Year: 2018).*

* cited by examiner

Primary Examiner — Clare E Heflin

(74) *Attorney, Agent, or Firm* — Daniel J. Piotrowski

(57) **CLAIM**

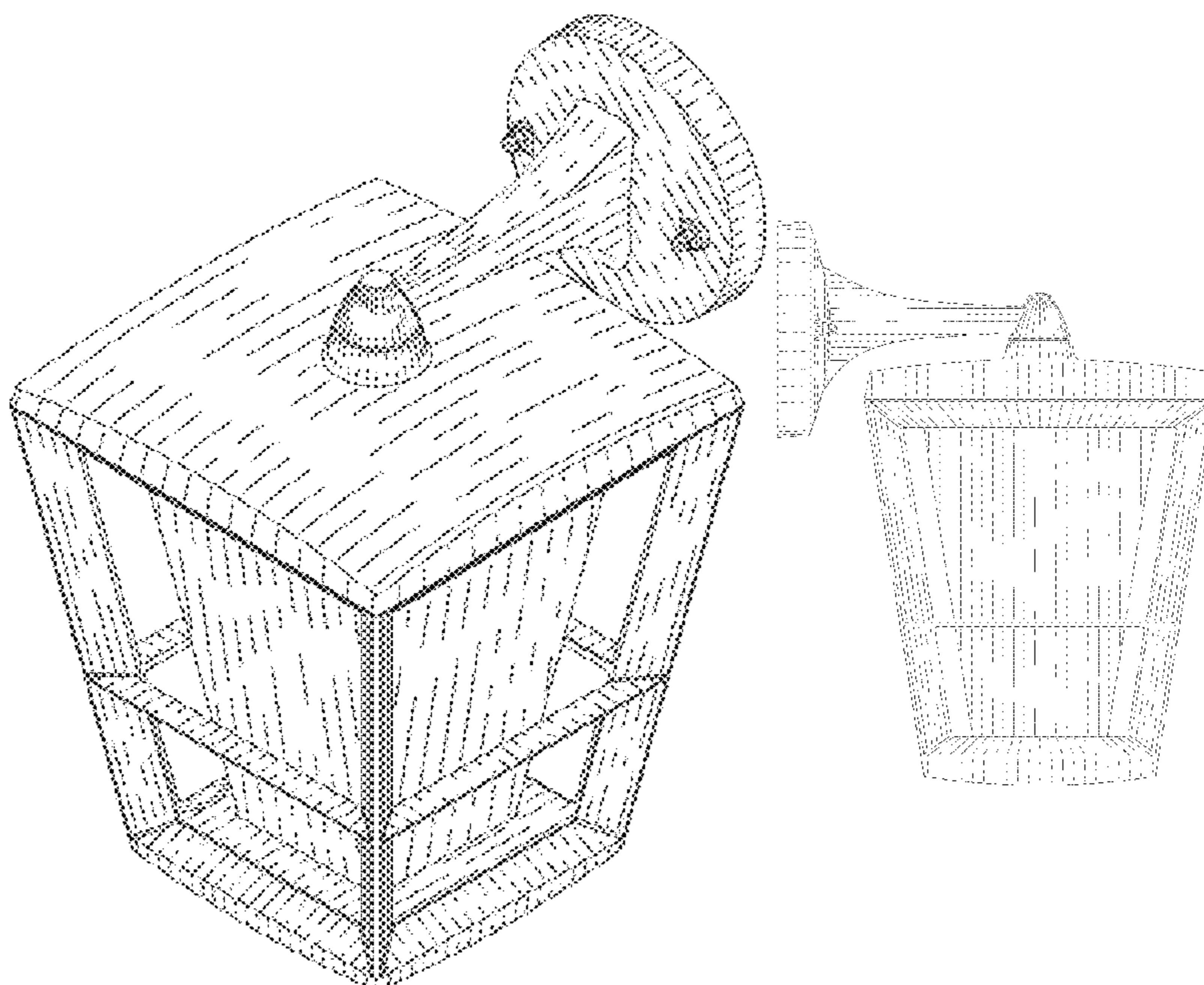
The ornamental design for a “lighting fixture”, as shown and described.

DESCRIPTION

FIG. 1 is a perspective view showing my design;
FIG. 2 is a front elevational view thereof;
FIG. 3 is a rear elevational view thereof;
FIG. 4 is a right side elevational view thereof;
FIG. 5 is a left side elevational view thereof;
FIG. 6 is a top plan view thereof; and,
FIG. 7 is a bottom plan view thereof.

The lighting fixture of the present invention may be coupled with one or more power cables or brackets which are depicted in broken lines and form no part of the design.

1 Claim, 6 Drawing Sheets



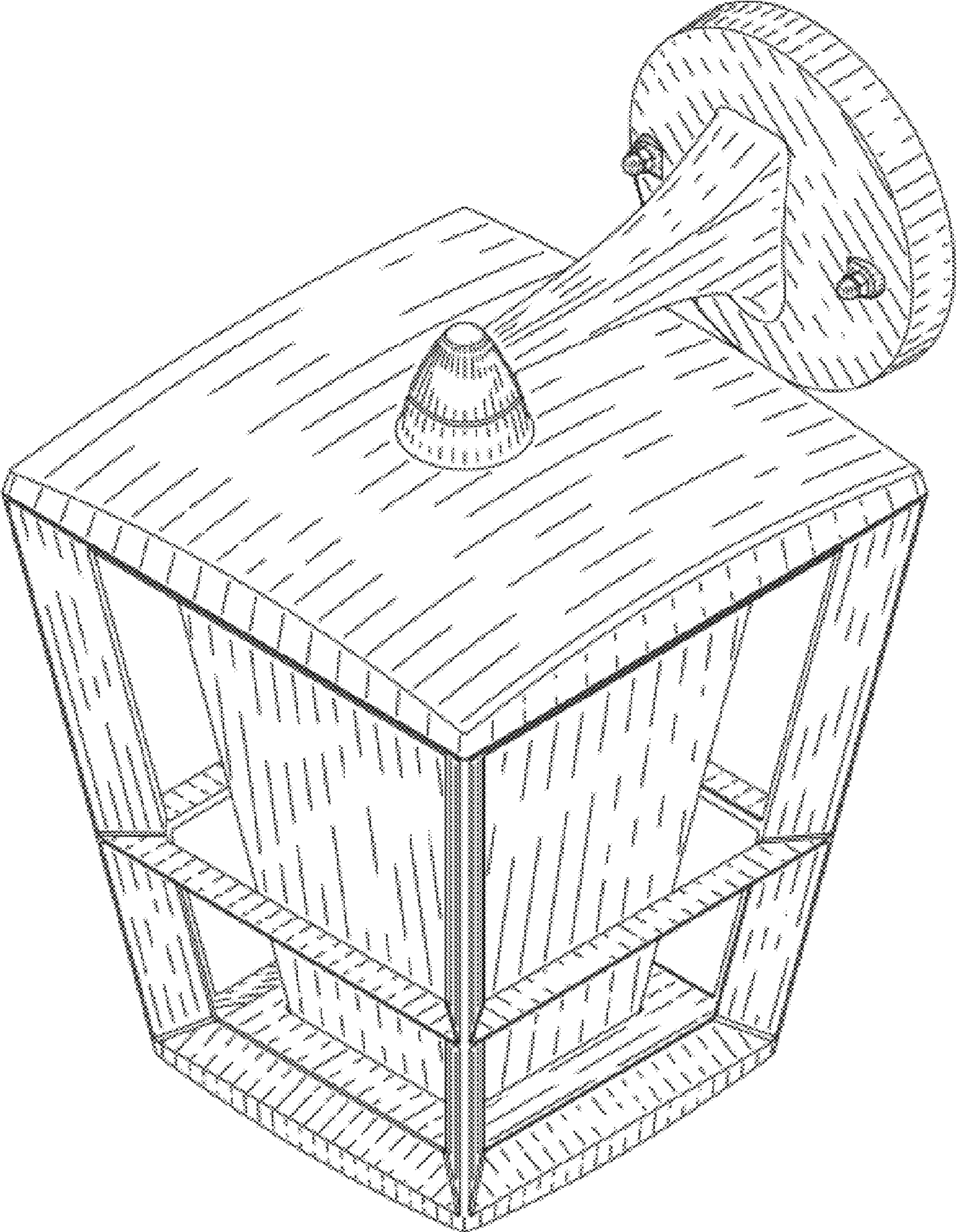


FIG. 1

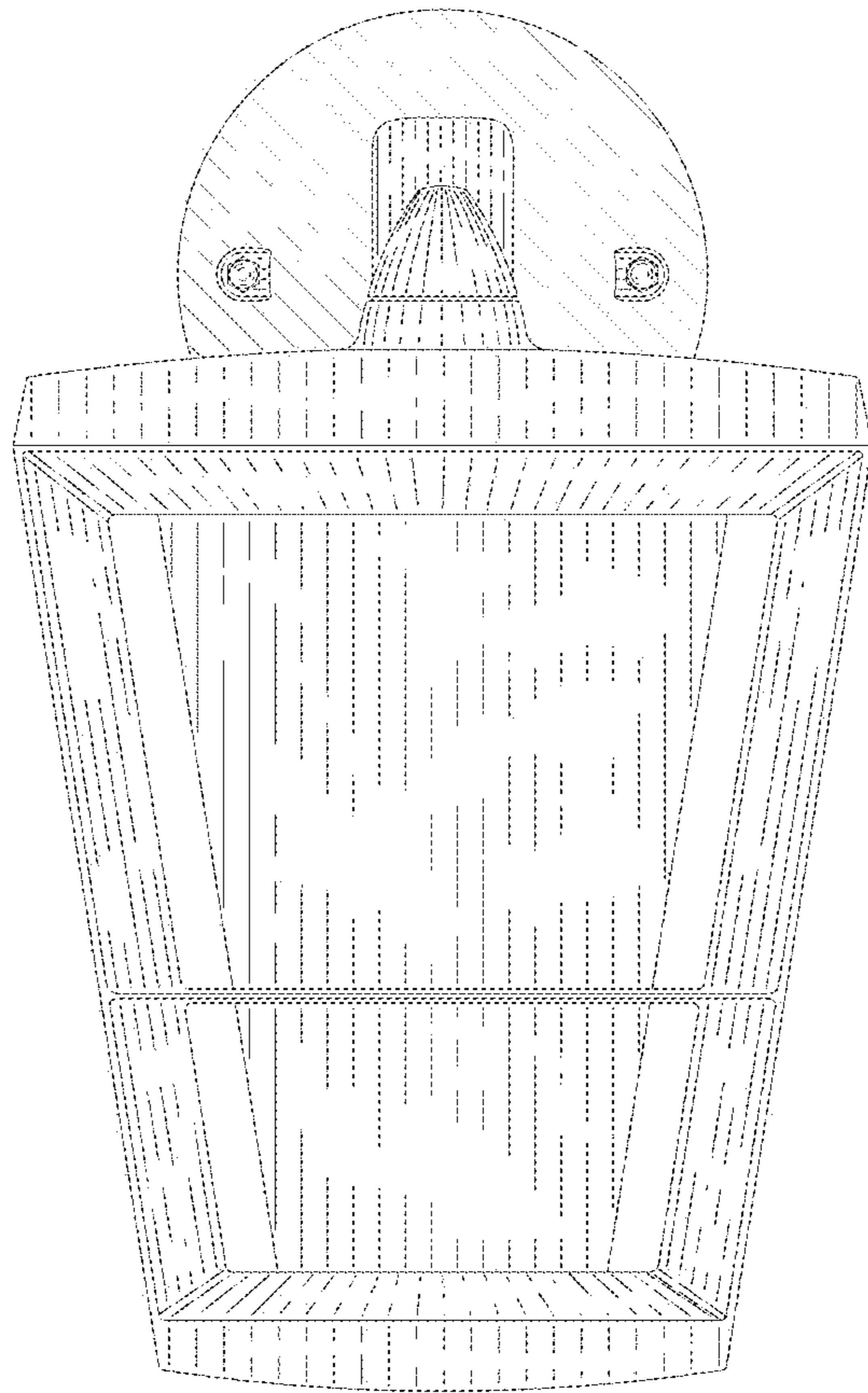


FIG. 2

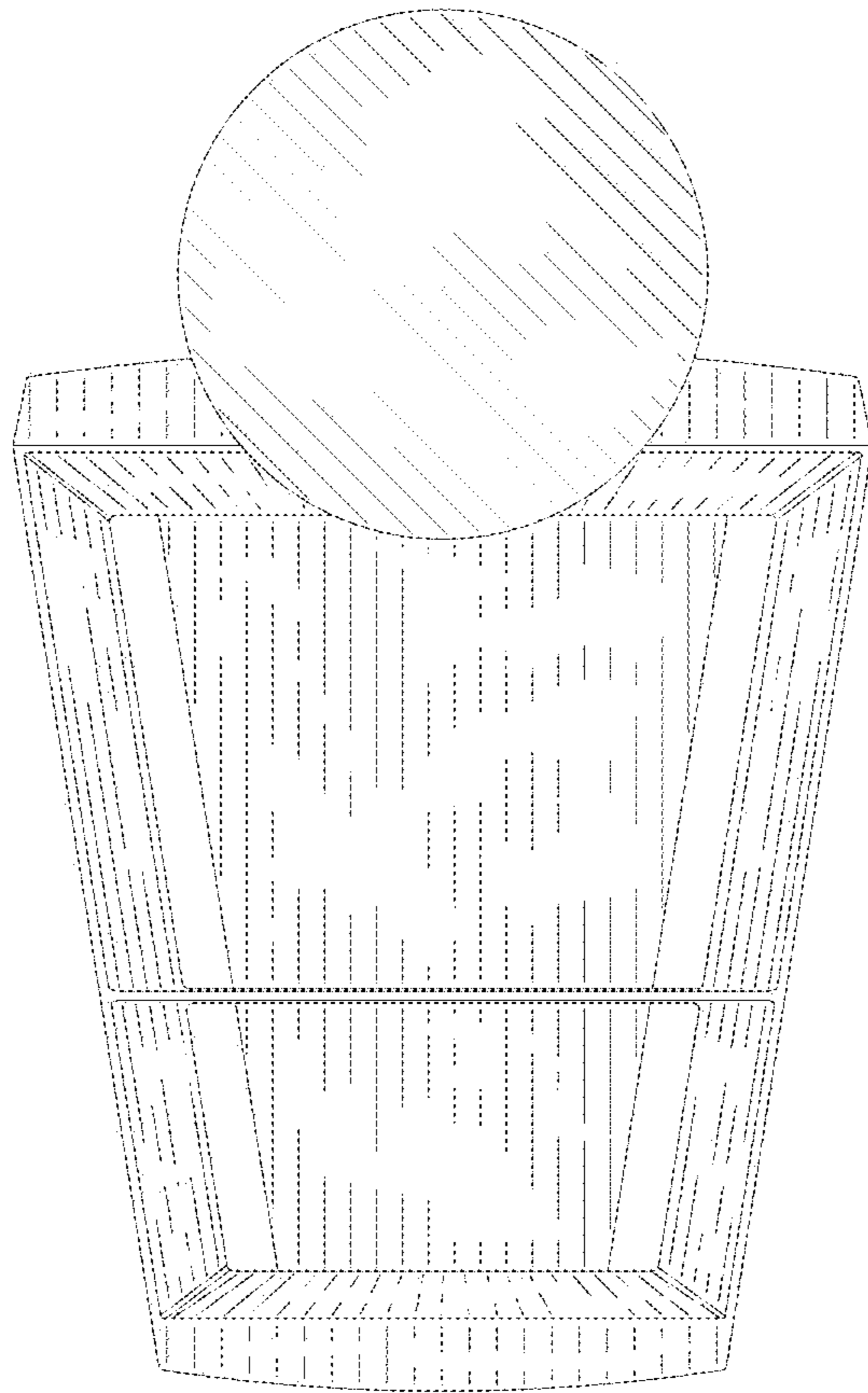


FIG. 3

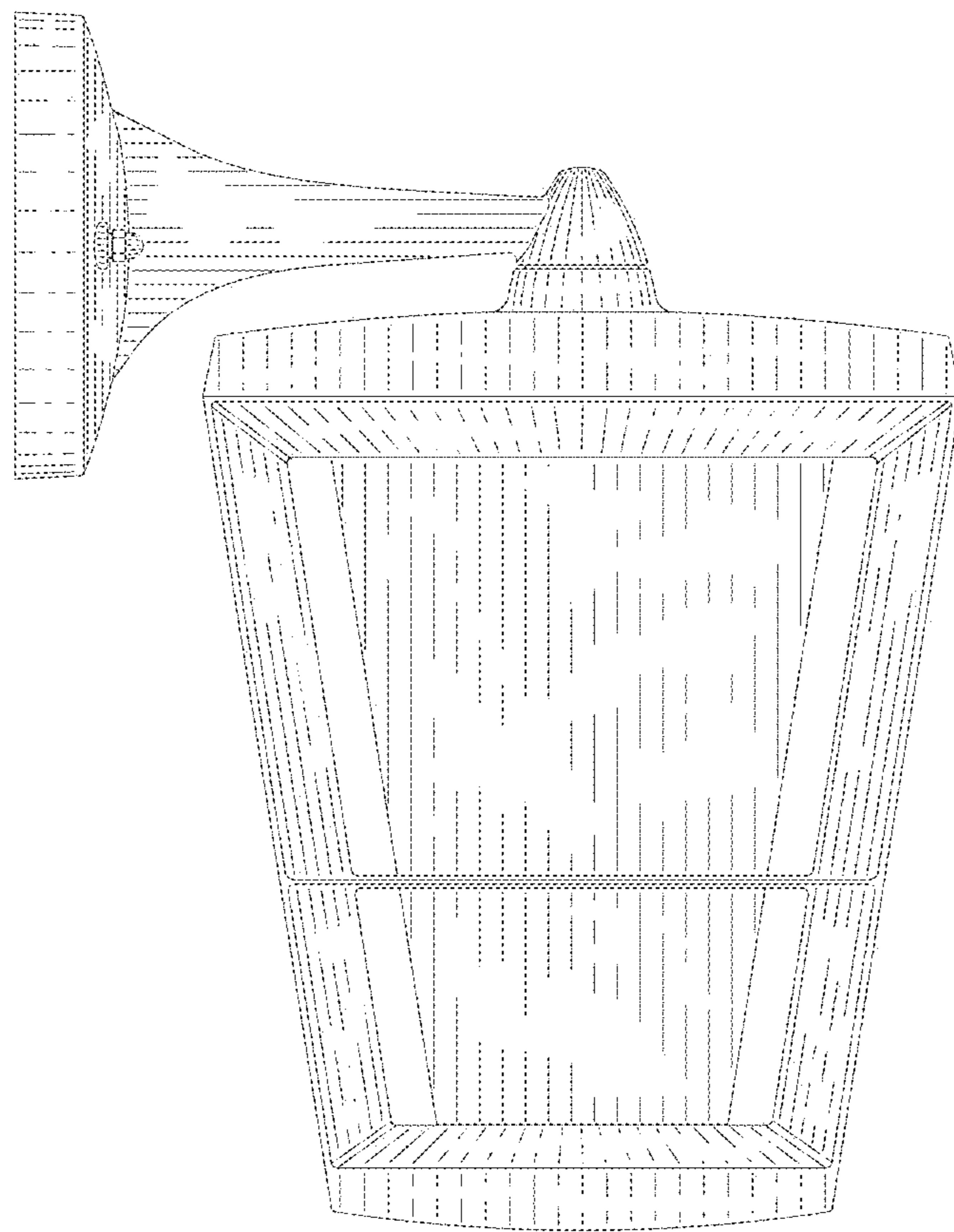


FIG. 4

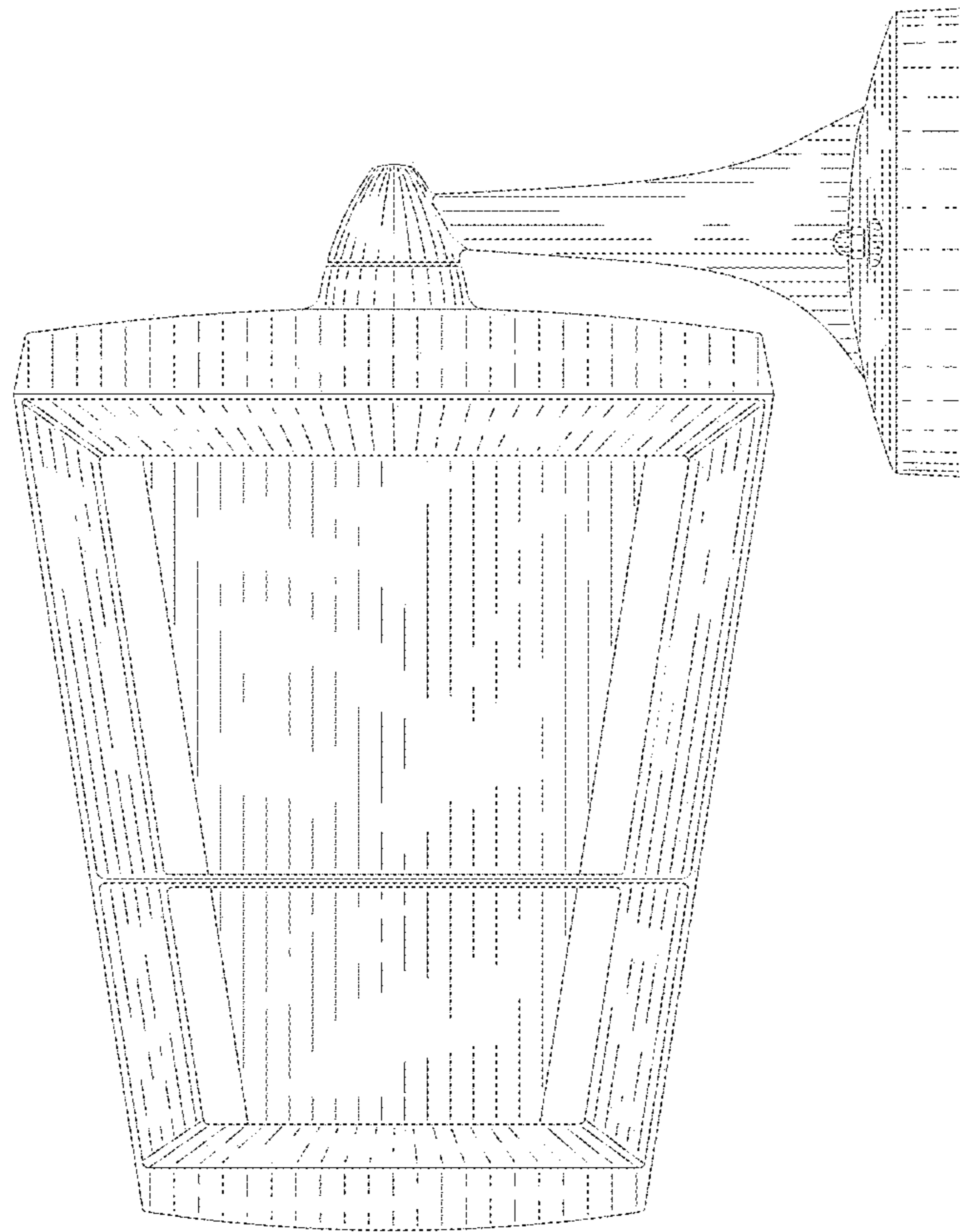


FIG. 5

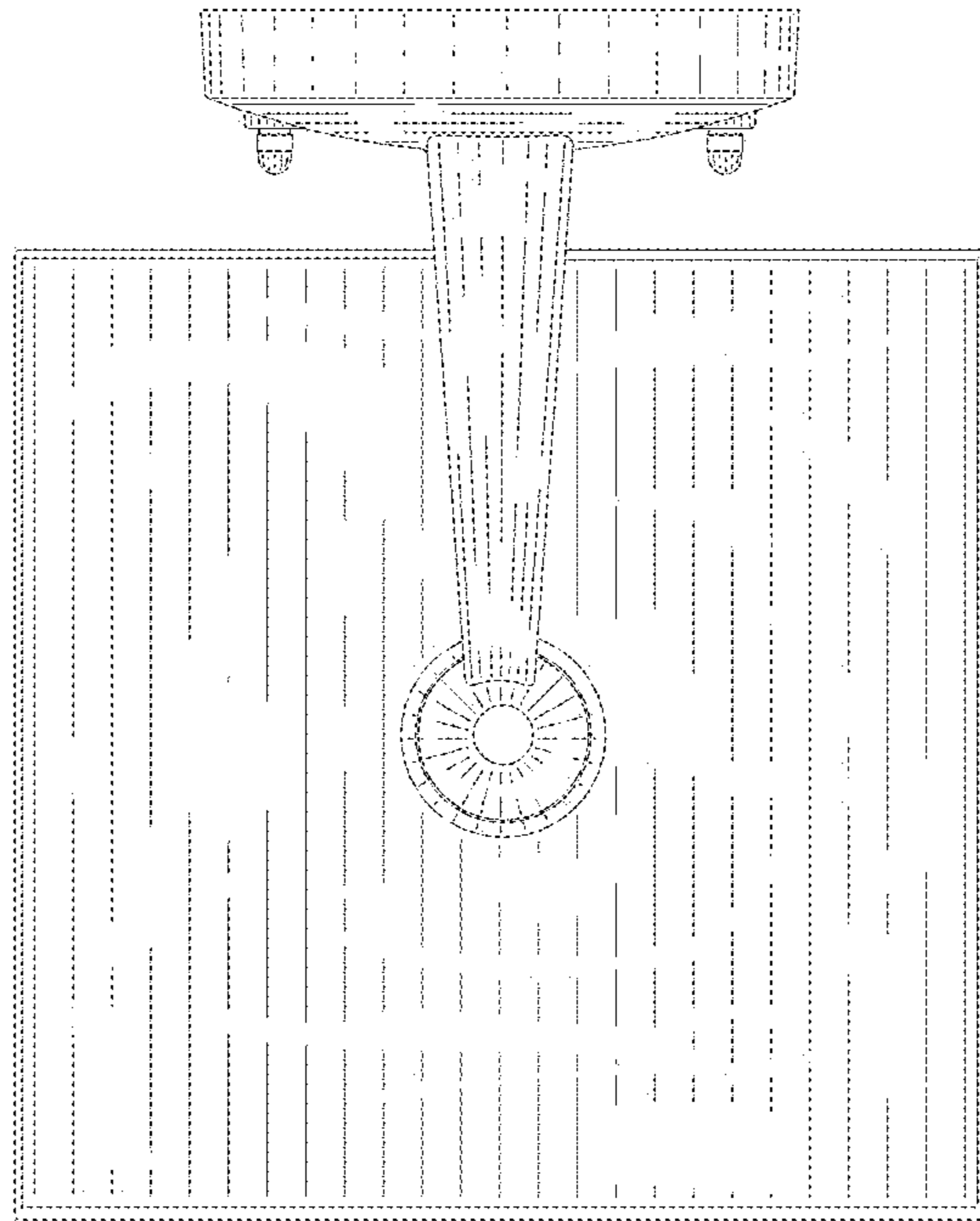


FIG. 6

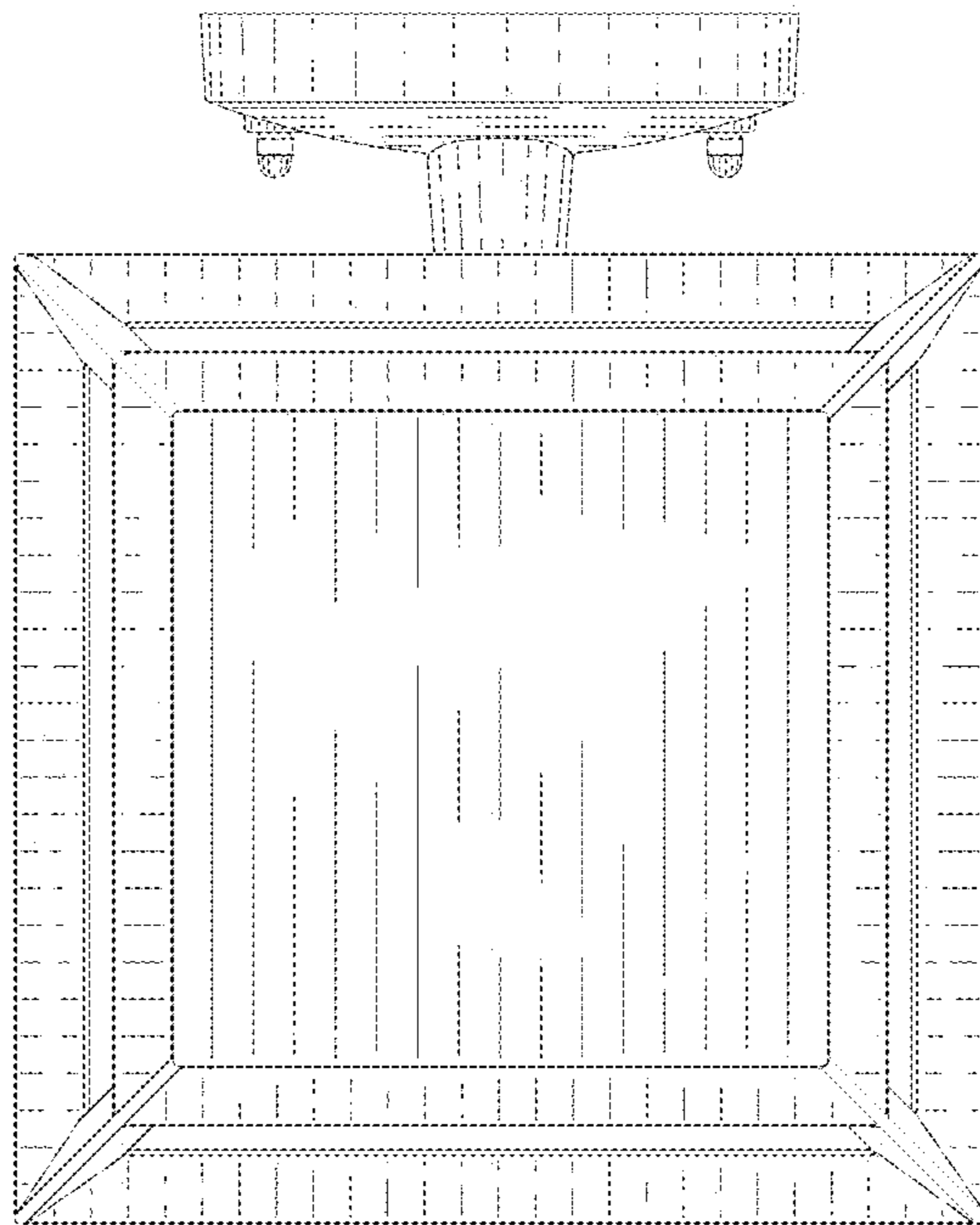


FIG. 7