



US00D952229S

(12) **United States Design Patent** (10) **Patent No.:** **US D952,229 S**
Li (45) **Date of Patent:** **** May 17, 2022**

(54) **LIGHTING FIXTURE**

(71) Applicant: **Jing Li**, Irvine, CA (US)

(72) Inventor: **Jing Li**, Irvine, CA (US)

(**) Term: **15 Years**

(21) Appl. No.: **29/745,929**

(22) Filed: **Aug. 11, 2020**

(51) **LOC (13) Cl.** **26-05**

(52) **U.S. Cl.**
USPC **D26/81**

(58) **Field of Classification Search**
USPC D26/72, 80, 81, 82, 84-90, 92, 118
CPC F21S 8/04; F21S 8/043; F21S 8/046; F21S
8/06; F21S 8/061; F21S 8/063; F21S
8/065; F21S 8/066; F21S 8/068
See application file for complete search history.

(56) **References Cited**

U.S. PATENT DOCUMENTS

D76,437 S *	9/1928	Genachte	D26/130
D268,209 S *	3/1983	Reistetter	D26/85
D563,589 S *	3/2008	Hariri	D26/88
D633,639 S *	3/2011	Vincent	D26/88
D636,114 S *	4/2011	De Lucchi	D26/128
D638,570 S *	5/2011	Verelst	D26/90
D642,715 S *	8/2011	Lee	D26/61
D656,663 S *	3/2012	Son	D26/118
D675,371 S *	1/2013	Nowak	D26/128
D684,298 S *	6/2013	Liang	D26/118
D699,388 S *	2/2014	Park	D26/129
D731,104 S *	6/2015	Miyake	D26/88
D740,483 S *	10/2015	Miyake	D26/93
D758,643 S *	6/2016	Brittain	D26/118
D768,329 S *	10/2016	Kern	D26/118
D773,222 S *	12/2016	Smith	D6/708.16
D775,758 S *	1/2017	Amato	D26/89

D787,736 S *	5/2017	Brittain	D26/118
D794,841 S *	8/2017	Unnikrishnan	D26/9
D807,563 S *	1/2018	Amato	D26/88
D825,818 S *	8/2018	Sonneman	D26/88
D840,578 S *	2/2019	Luo	D26/88
D847,417 S *	4/2019	Zeng	D26/110
D865,062 S *	10/2019	Kihl	D20/42
D871,646 S *	12/2019	Gratton	D26/86
D897,023 S *	9/2020	Eliasson	D26/76
D897,891 S *	10/2020	Lawson	D11/148
D929,640 S *	8/2021	Sonneman	D26/88

OTHER PUBLICATIONS

Ikea, Brunsta Pendant Lamp Shade. First available unknown. Searched Feb. 11, 2022. [https://www.ikea.com/us/en/p/brunsta-pendant-lamp-shade-black-60333063/] (Year: 2022).*

(Continued)

Primary Examiner — Samantha Q Lawrence
Assistant Examiner — Melissa Adriane Santos

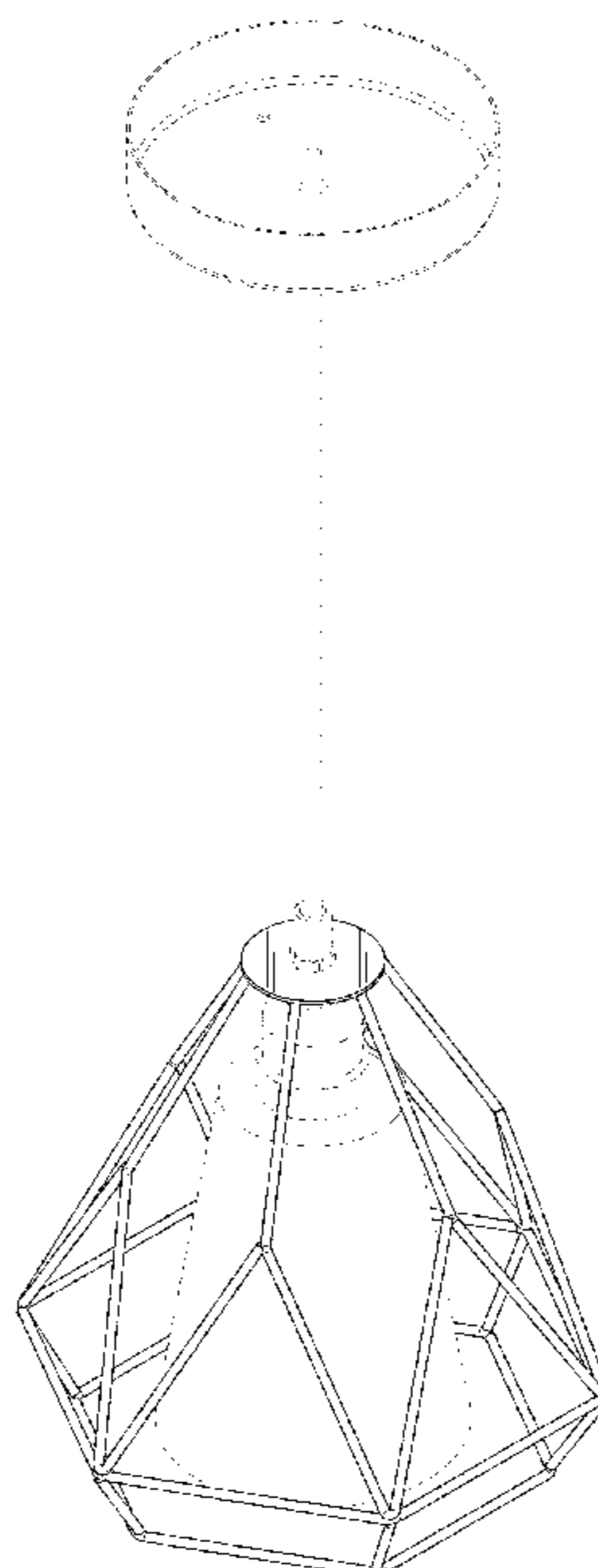
(57) **CLAIM**

The ornamental design for a lighting fixture, as shown and described.

DESCRIPTION

FIG. 1 is a front and top perspective view of a lighting fixture, showing my new design;
FIG. 2 is a rear and bottom perspective view thereof;
FIG. 3 is a front elevational view thereof;
FIG. 4 is a rear elevational view thereof;
FIG. 5 is a left side elevational view thereof;
FIG. 6 is a right side elevational view thereof;
FIG. 7 is a top plan view thereof; and,
FIG. 8 is a bottom plan view thereof.
The broken lines in the figures illustrate portions of the article that form no part of the claimed design.

1 Claim, 8 Drawing Sheets



(56)

References Cited

OTHER PUBLICATIONS

Ikea, Brunsta Pendant Lamp Shade. First available unknown. Searched Feb. 11, 2022. [<https://www.ikea.com/us/en/p/brunsta-pendant-lamp-shade-black-10333065/>] (Year: 2022).*

Livex, Geometric Pendant Light. First available Jun. 19, 2020. Searched Feb. 11, 2022. [<https://www.amazon.com/Livex-Lighting-41324-68-Geometric-Pendant/dp/B08BJ8BZNC>] (Year: 2020).*

Dulai Diamond Pendant Light. First available Oct. 13, 2020. Searched Feb. 11, 2022. [https://www.amazon.com/dp/B08L525ZQ3/ref=cm_sw_em_r_mt_dp_39N97VAZH27H29FJXH9G] (Year: 2020).*

* cited by examiner

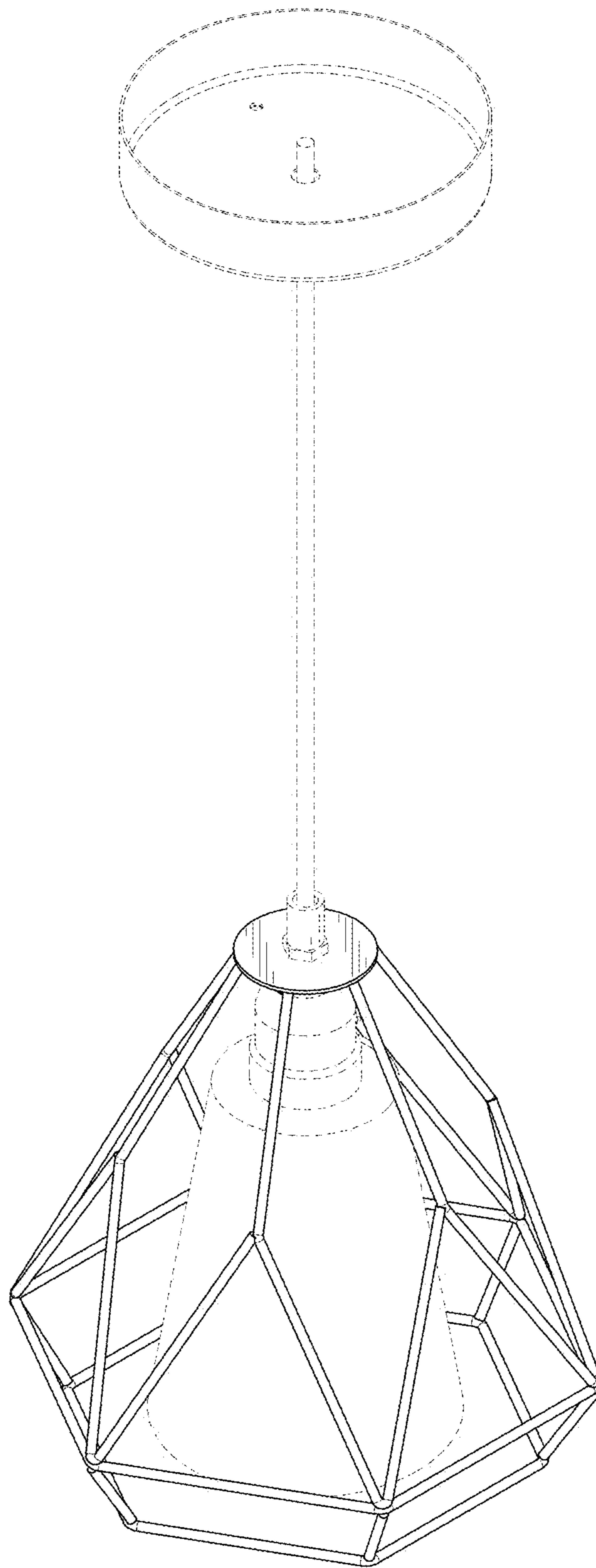


FIG. 1

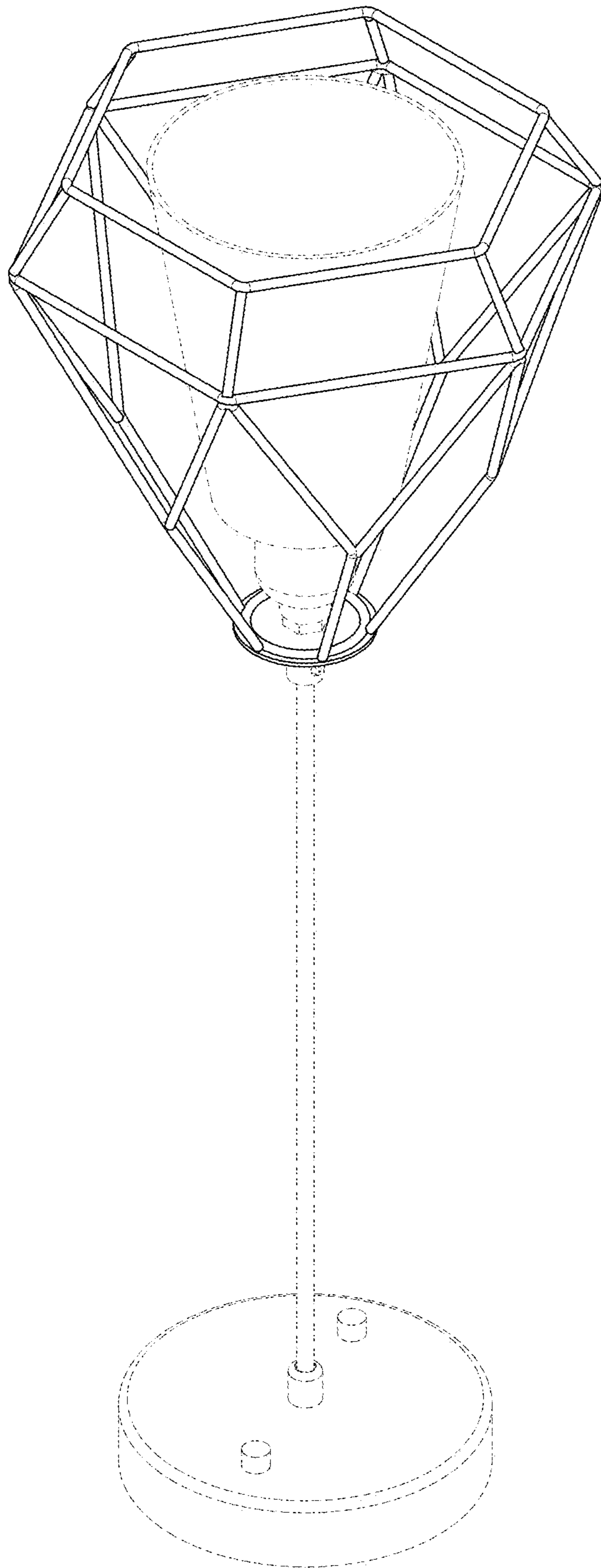


FIG. 2

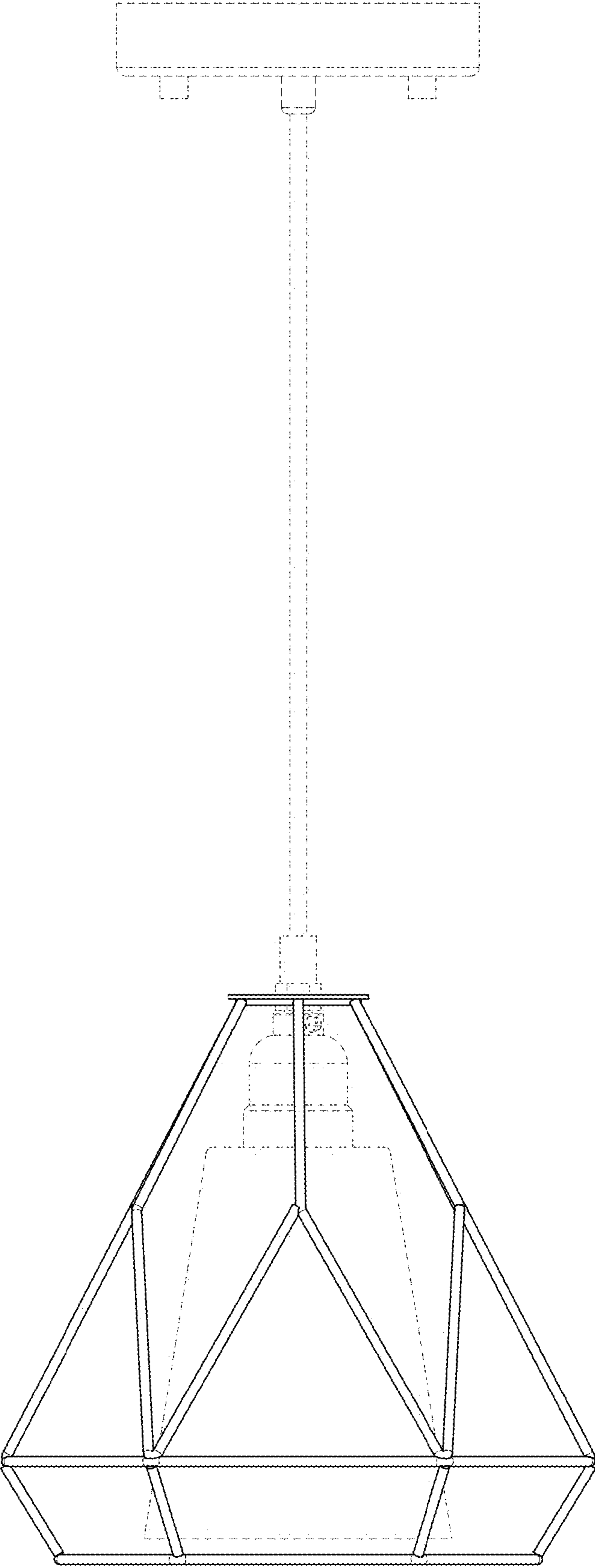


FIG. 3

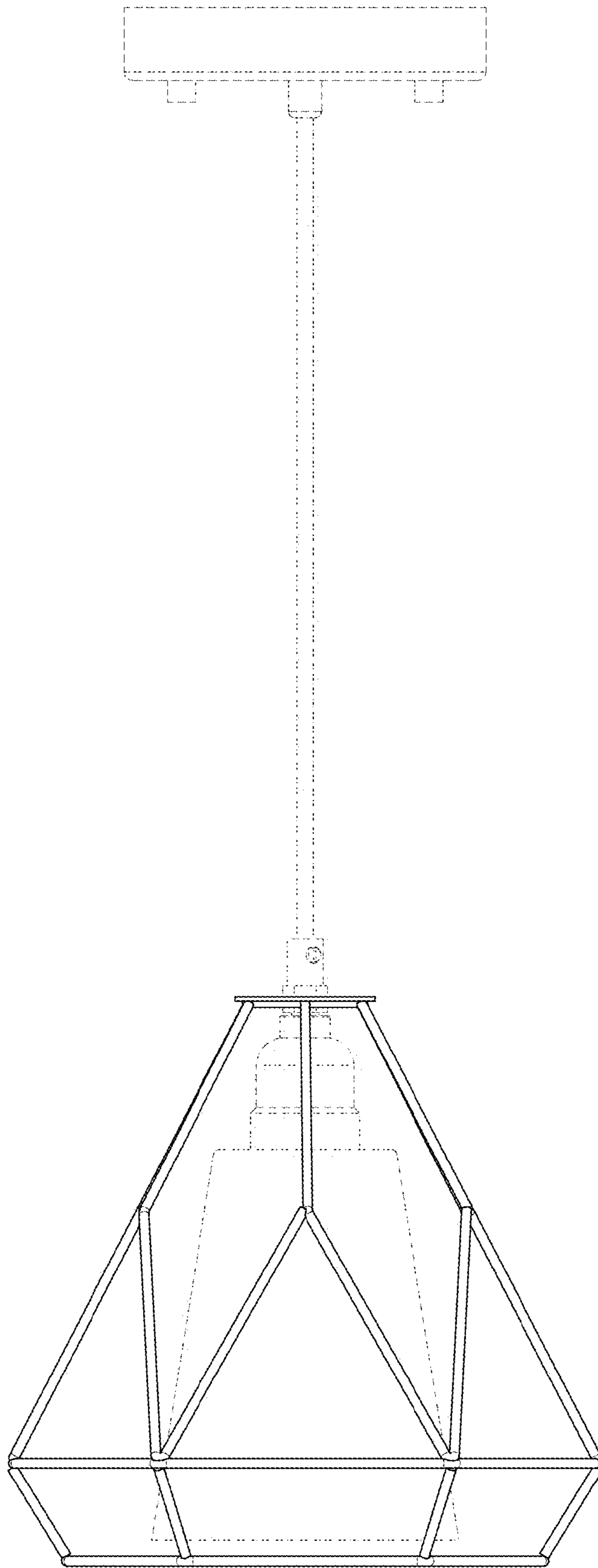


FIG. 4

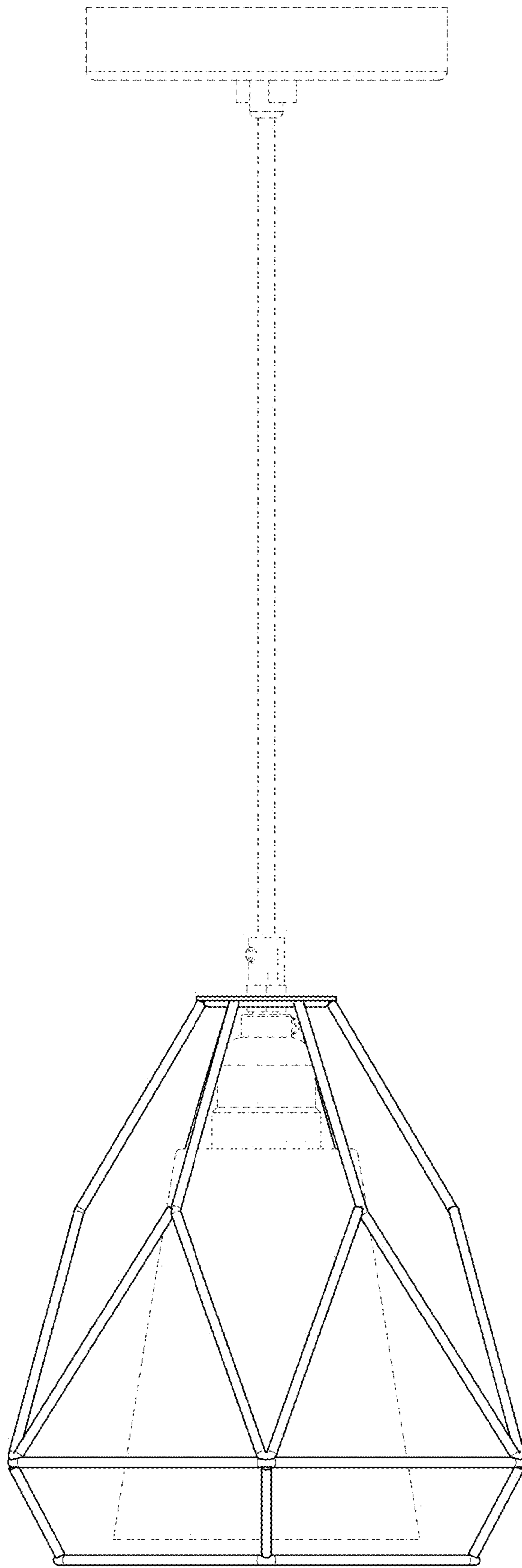


FIG. 5

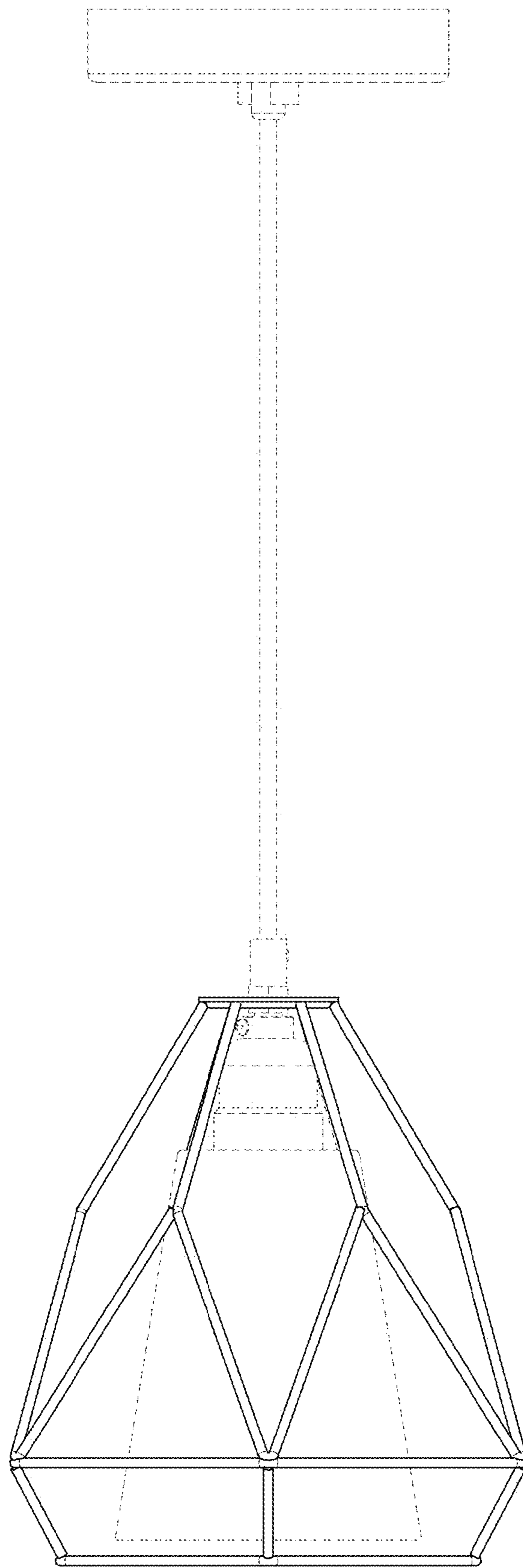


FIG. 6

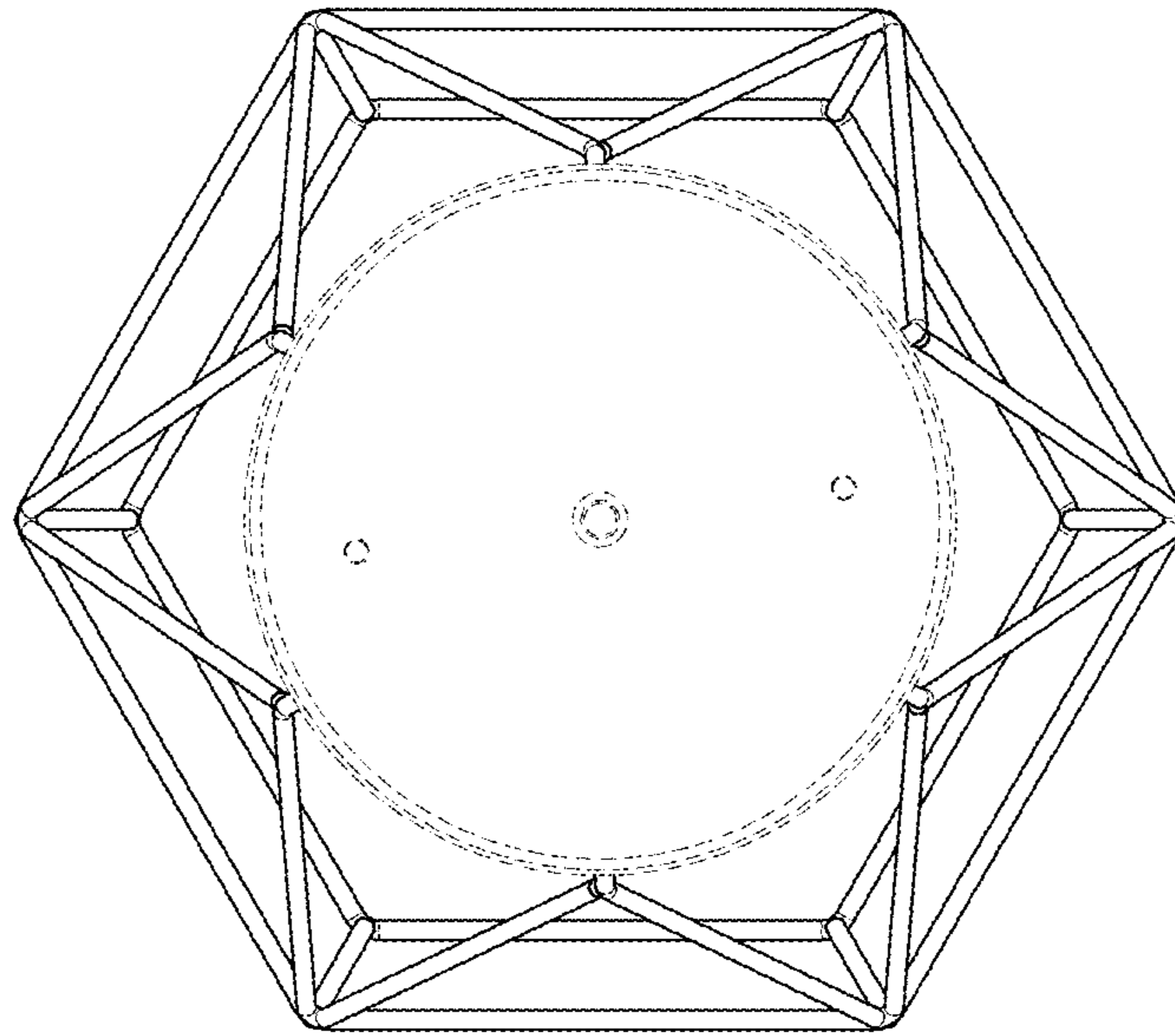


FIG. 7

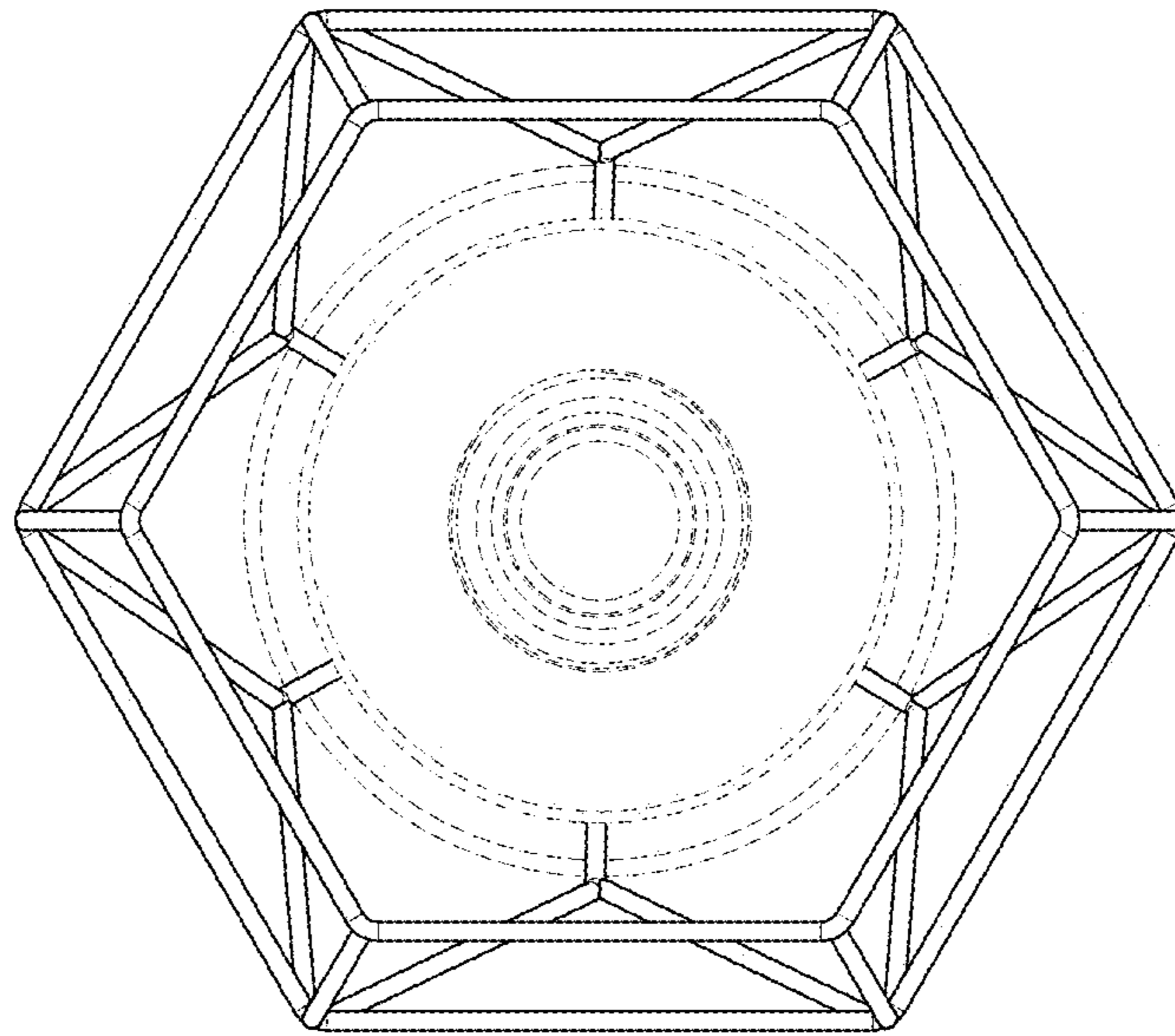


FIG. 8