



US00D952227S

(12) **United States Design Patent** (10) **Patent No.:** **US D952,227 S**  
**Vasylyev** (45) **Date of Patent:** **\*\* May 17, 2022**

(54) **EDGE-LIT LED LIGHTING FIXTURE**  
(71) Applicant: **Sergiy Vasylyev**, Elk Grove, CA (US)  
(72) Inventor: **Sergiy Vasylyev**, Elk Grove, CA (US)  
(73) Assignee: **S.V.V. TECHNOLOGY INNOVATIONS, INC.**, Sacramento, CA (US)  
(\*\*) Term: **15 Years**  
(21) Appl. No.: **29/703,143**  
(22) Filed: **Aug. 23, 2019**

D162,345 S \* 3/1951 Roney ..... D23/366  
D166,370 S \* 4/1952 Wilson ..... D26/85  
2,640,913 A 6/1953 Utile  
2,824,216 A \* 2/1958 Brennan ..... F21V 1/00  
362/311.03  
D286,206 S 10/1986 Joosten  
D349,173 S 6/1994 Fellingner  
D364,242 S \* 11/1995 Fiorato ..... D26/85  
D394,728 S 5/1998 Alexander  
D422,107 S 3/2000 Meier  
D430,326 S 8/2000 Littman  
D443,943 S \* 6/2001 Brunner ..... D26/87  
D452,031 S 12/2001 Brunner  
D456,932 S 5/2002 Crosby

(Continued)

**Related U.S. Application Data**

(62) Division of application No. 29/593,723, filed on Feb. 11, 2017, now Pat. No. Des. 866,841.  
(51) **LOC (13) Cl.** ..... **26-05**  
(52) **U.S. Cl.**  
USPC ..... **D26/72**  
(58) **Field of Classification Search**  
USPC ..... D10/111-115; D26/24, 26, 34, 44, 51, D26/58, 60, 61, 63, 67, 68, 71, 72, 74, D26/75, 76, 78, 80-89, 92, 93, 102, 104, D26/106, 108, 110, 113, 117, 118, 119, D26/120, 121, 135, 137, 141, 142, 148  
CPC ..... F21S 8/00; F21S 8/02; F21S 8/03; F21S 8/033; F21S 8/032; F21S 8/036; F21S 8/04; F21S 8/043; F21S 8/08; F21S 8/081; F21S 8/086; F21S 8/088; F21S 8/06; F21S 8/061; F21S 8/063; F21S 8/065; F21S 10/005; F21S 6/002; F21S 6/005; F21S 6/006  
See application file for complete search history.

(56) **References Cited**

**U.S. PATENT DOCUMENTS**

D31,763 S 10/1899 Locke  
D114,329 S \* 4/1939 Gregg ..... D26/86  
2,293,672 A \* 8/1942 Bookman, Jr. .... F21V 3/02  
362/355

**OTHER PUBLICATIONS**

Metro 16\_High Chrome 1-Light Wall Sconce (available online May 31, 2017) Retrieved from the internet Sep. 27, 2021 from URL: [https://web.archive.org/web/20170531214046/https://www.lampsplus.com/products/metro-16-inch-high-chrome-1-light-wall-sconce\\_9f272.html](https://web.archive.org/web/20170531214046/https://www.lampsplus.com/products/metro-16-inch-high-chrome-1-light-wall-sconce_9f272.html).\*

*Primary Examiner* — Kevin K Rudzinski  
*Assistant Examiner* — Richard Kearney

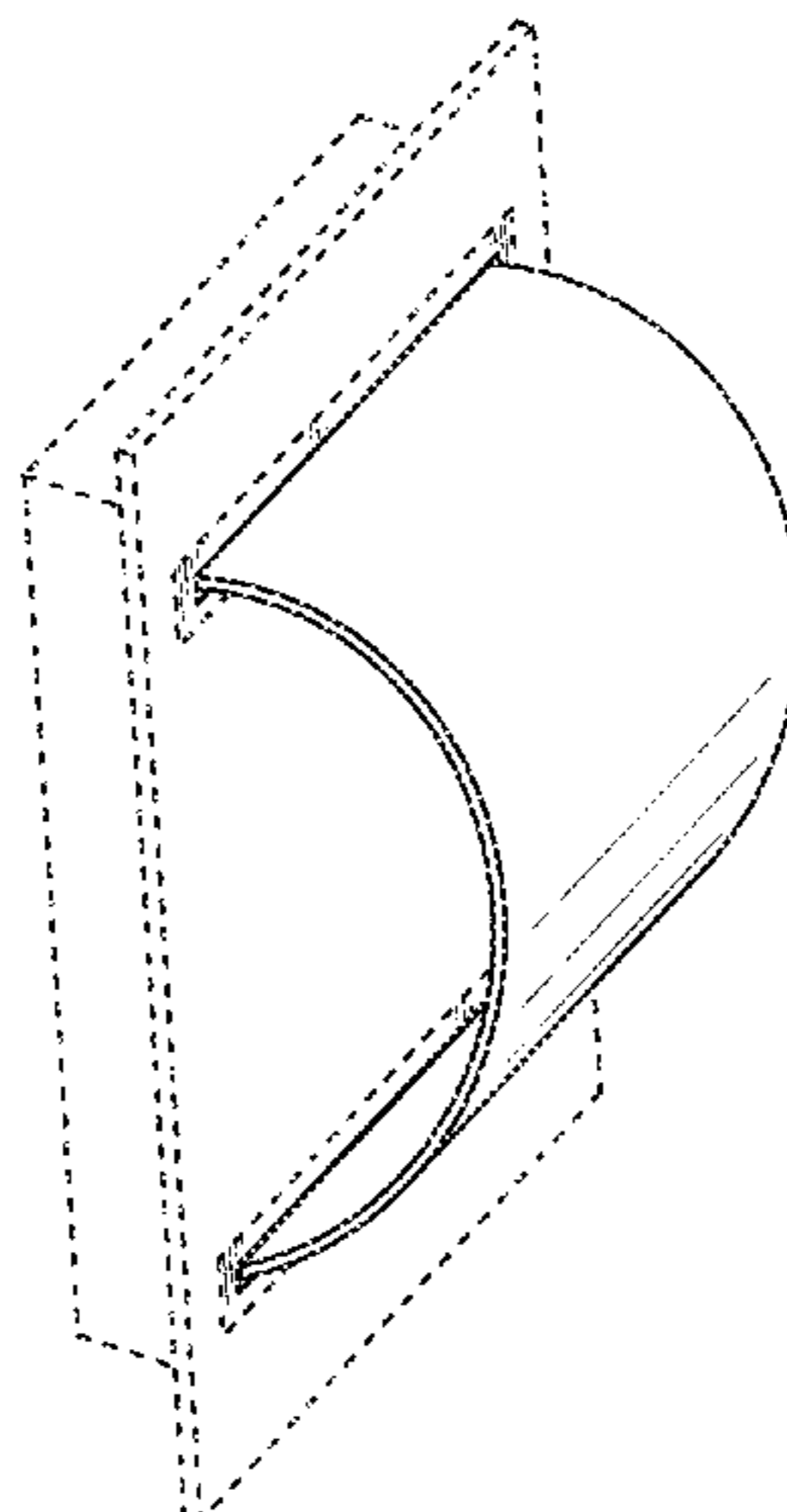
(57) **CLAIM**

The ornamental design for an edge-lit LED lighting fixture, as shown and described.

**DESCRIPTION**

FIG. 1 is a front, top and left side view of an edge-lit LED lighting fixture showing my new design;  
FIG. 2 is a front view thereof;  
FIG. 3 is a rear view thereof;  
FIG. 4 is a left side view thereof, the right side view being a mirror image thereof; and,  
FIG. 5 is a top view thereof, the bottom view being a mirror image thereof.  
The broken lines represent portions of the edge-lit LED lighting fixture, and form no part of the claimed design.

**1 Claim, 2 Drawing Sheets**



(56)

References Cited

U.S. PATENT DOCUMENTS

D457,260 S *	5/2002	Littman	D26/87	D697,656 S *	1/2014	Sabernig	D26/85
D459,827 S	7/2002	Yang		D700,726 S	3/2014	Kim et al.	
D469,910 S	2/2003	St-Pierre		D705,974 S	5/2014	Blessitt et al.	
D486,600 S	2/2004	Coe		8,827,505 B1	9/2014	Senkyr	
D492,799 S	7/2004	Friedman		D720,876 S *	1/2015	Haverfield	D26/85
D514,246 S	1/2006	Hoering et al.		D728,153 S	4/2015	Blessitt	
D544,131 S *	6/2007	Blackman	D26/85	D729,435 S	5/2015	Arndt	
D544,990 S *	6/2007	Guercio	D26/118	D735,401 S	7/2015	Clements	
D550,392 S	9/2007	Guercio et al.		D751,239 S	3/2016	Chen	
D562,491 S	2/2008	DiCola		D751,648 S	3/2016	Gongola et al.	
D564,125 S	3/2008	Chandler		D768,912 S *	10/2016	Wiedemer	D26/118
D566,877 S	4/2008	Chandler		D783,880 S	4/2017	McVey	
D578,241 S	10/2008	Montalbano		D785,851 S	5/2017	Sonneman	
D589,196 S	3/2009	Stone		D796,724 S *	9/2017	Sonneman	D26/85
7,588,345 B1	9/2009	Davis		D804,086 S	11/2017	Miller	
D601,746 S *	10/2009	Sabernig	D26/120	D815,075 S *	4/2018	Kwak	D14/240
D605,330 S	12/2009	Miranda		D822,893 S *	7/2018	McVey	D26/142
D610,296 S	2/2010	Boissevain et al.		D825,097 S *	8/2018	Vasylyev	D26/119
D625,460 S *	10/2010	Boissevain	D26/118	D828,946 S *	9/2018	McVey	D26/85
D630,792 S	1/2011	Schwinkowski		D830,608 S *	10/2018	Amato	D26/85
D633,247 S	2/2011	Kong et al.		D835,829 S *	12/2018	Hendifar	D26/85
D634,059 S *	3/2011	Sabernig	D26/118	D836,825 S *	12/2018	Formel	D26/118
D639,995 S *	6/2011	Compton	D26/85	D838,034 S *	1/2019	Ahrari	D26/118
D646,425 S	10/2011	Crosby		D843,639 S *	3/2019	Ahrari	D26/118
D646,426 S *	10/2011	Wolk	D26/85	D845,538 S *	4/2019	Vasylyev	D26/119
D652,982 S	1/2012	Chen		D866,841 S *	11/2019	Vasylyev	D26/85
D662,251 S *	6/2012	Wauters	D26/85	D868,345 S *	11/2019	Ahrari	D26/118
D664,702 S	7/2012	Senkyr et al.		D885,646 S *	5/2020	Ahrari	D26/118
D668,810 S	10/2012	Bryant		D887,616 S *	6/2020	Richardson	D26/87
D692,176 S	10/2013	Parres		2014/0218909 A1	8/2014	Tetsuo	
				2020/0124254 A1 *	4/2020	Cox	F21S 8/036
				2021/0131650 A1 *	5/2021	Crawford	F21S 8/036

\* cited by examiner

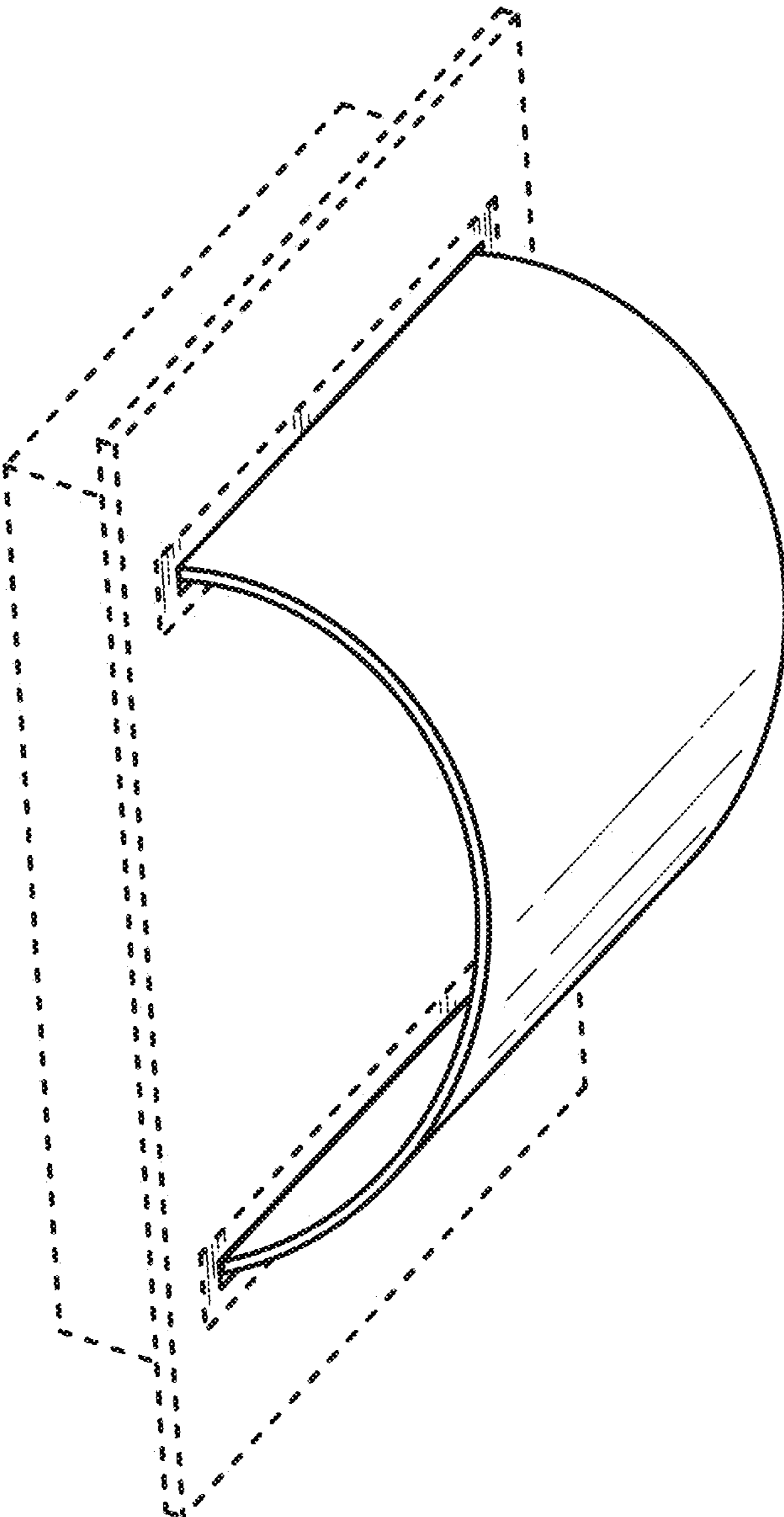


FIG. 1

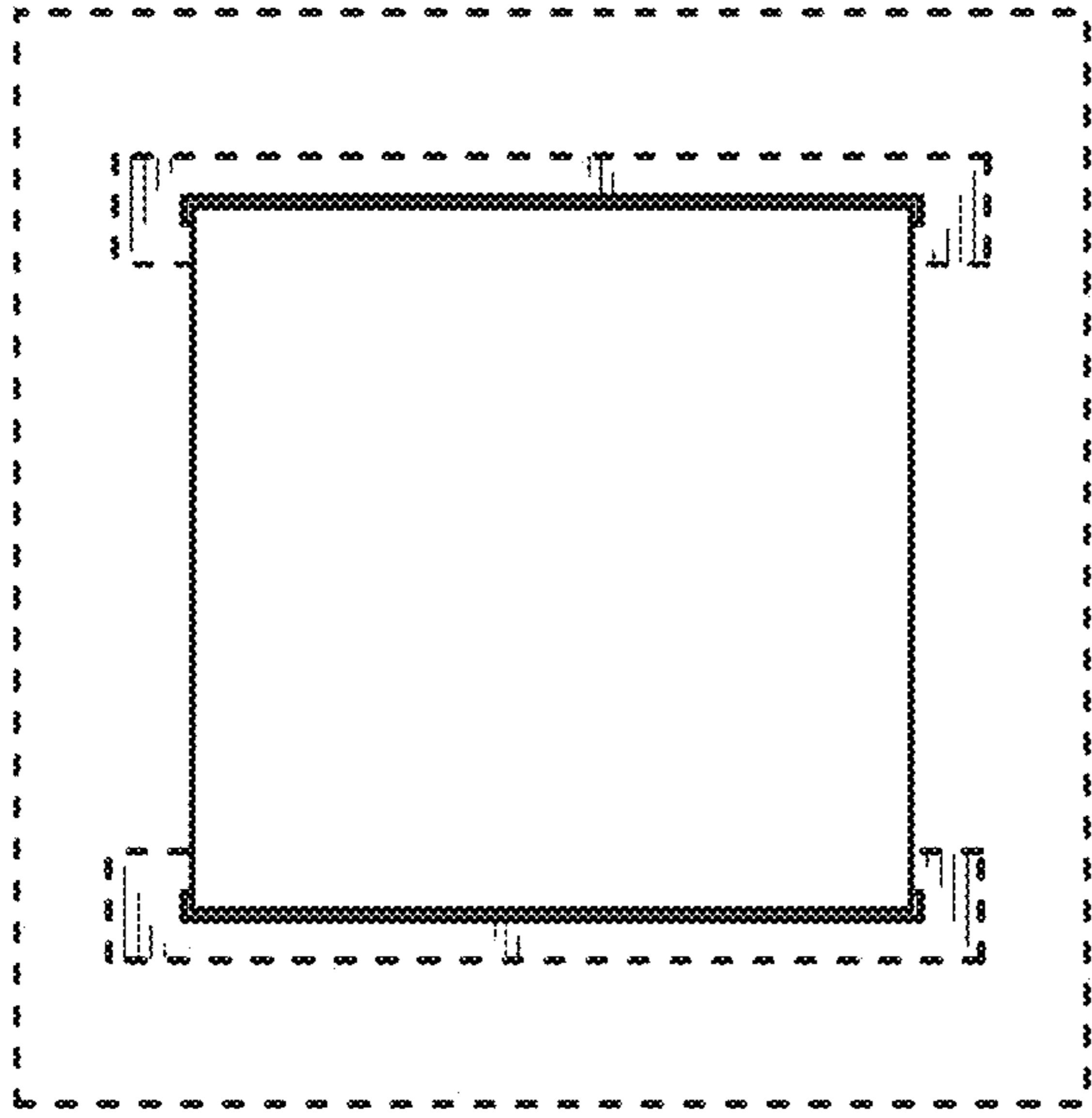


FIG. 2

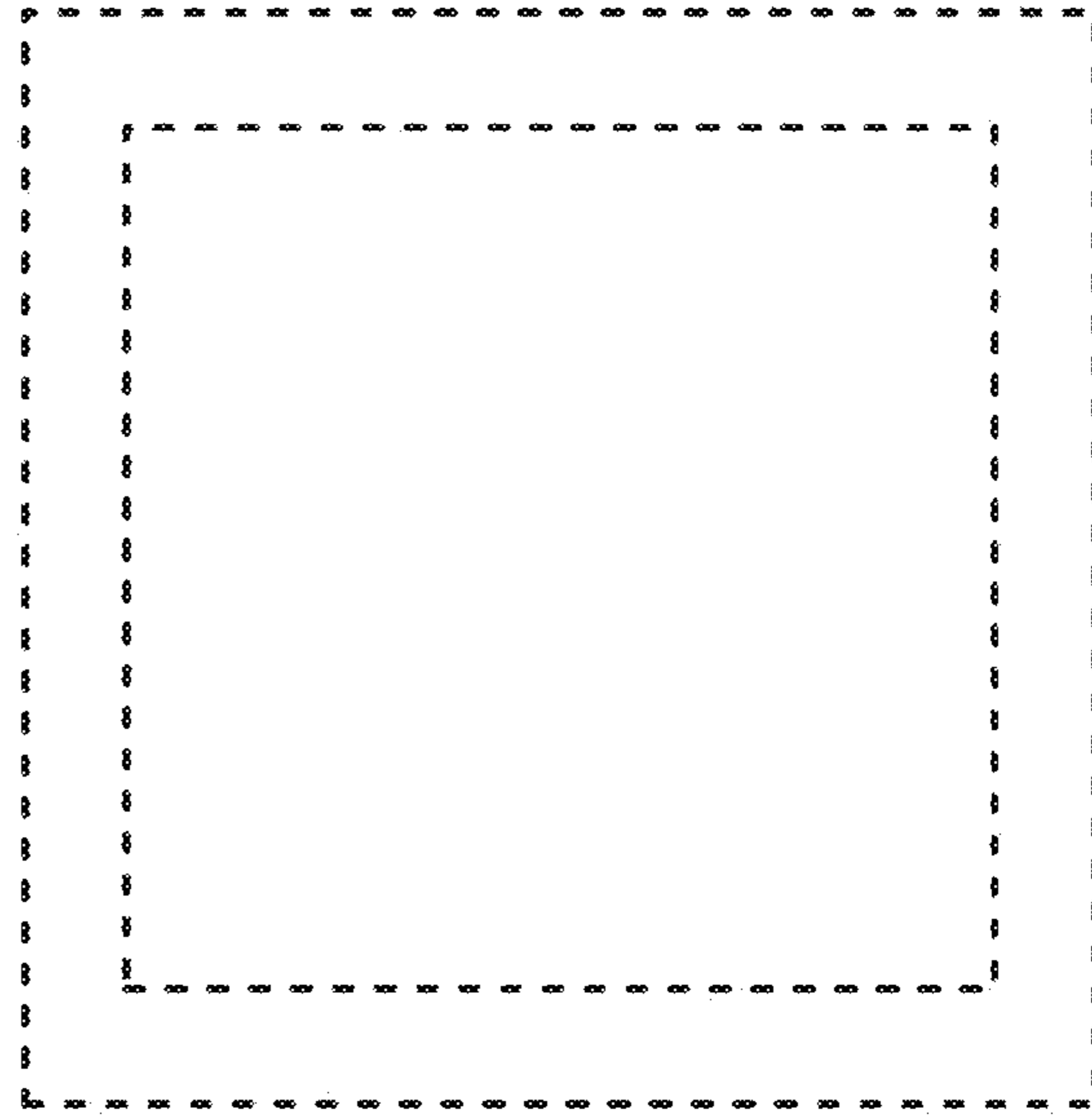


FIG. 3

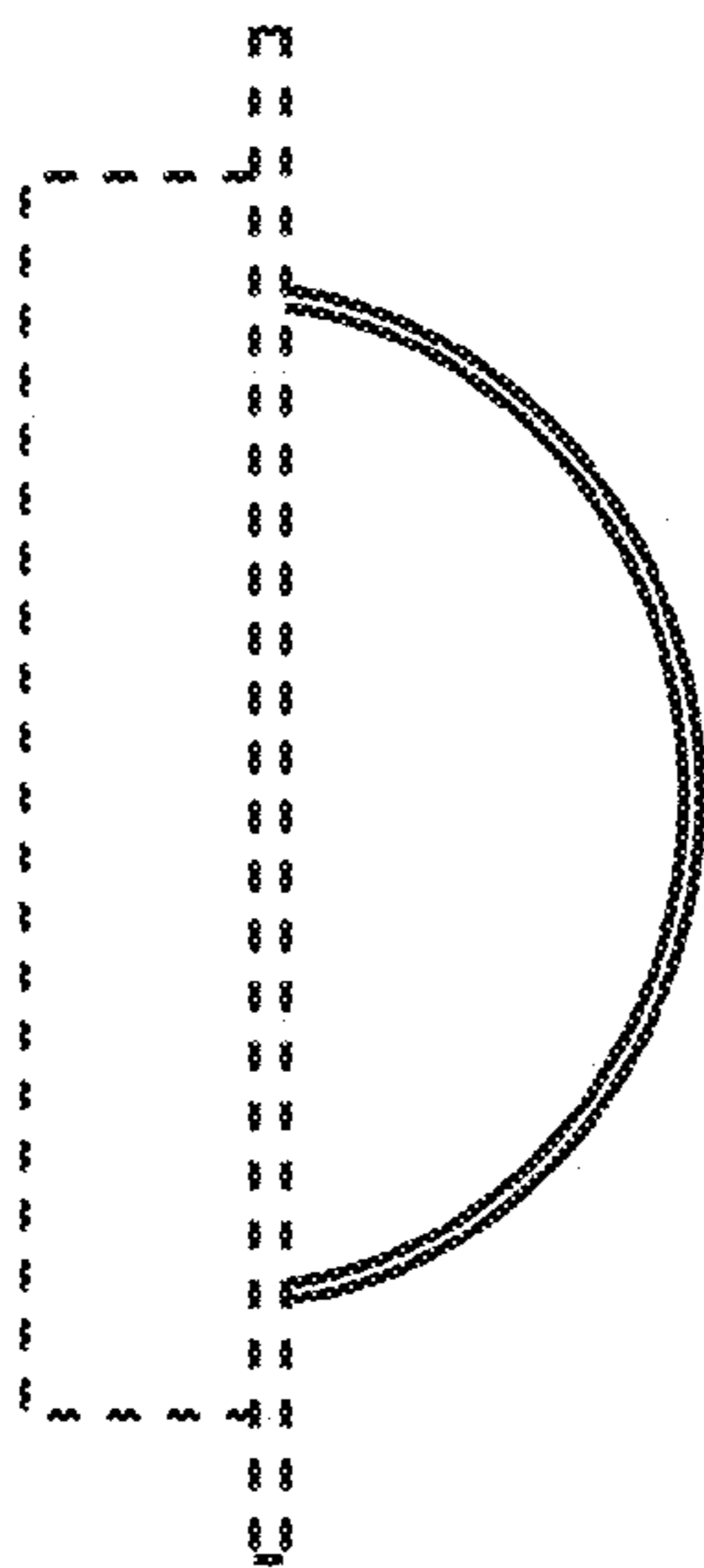


FIG. 4

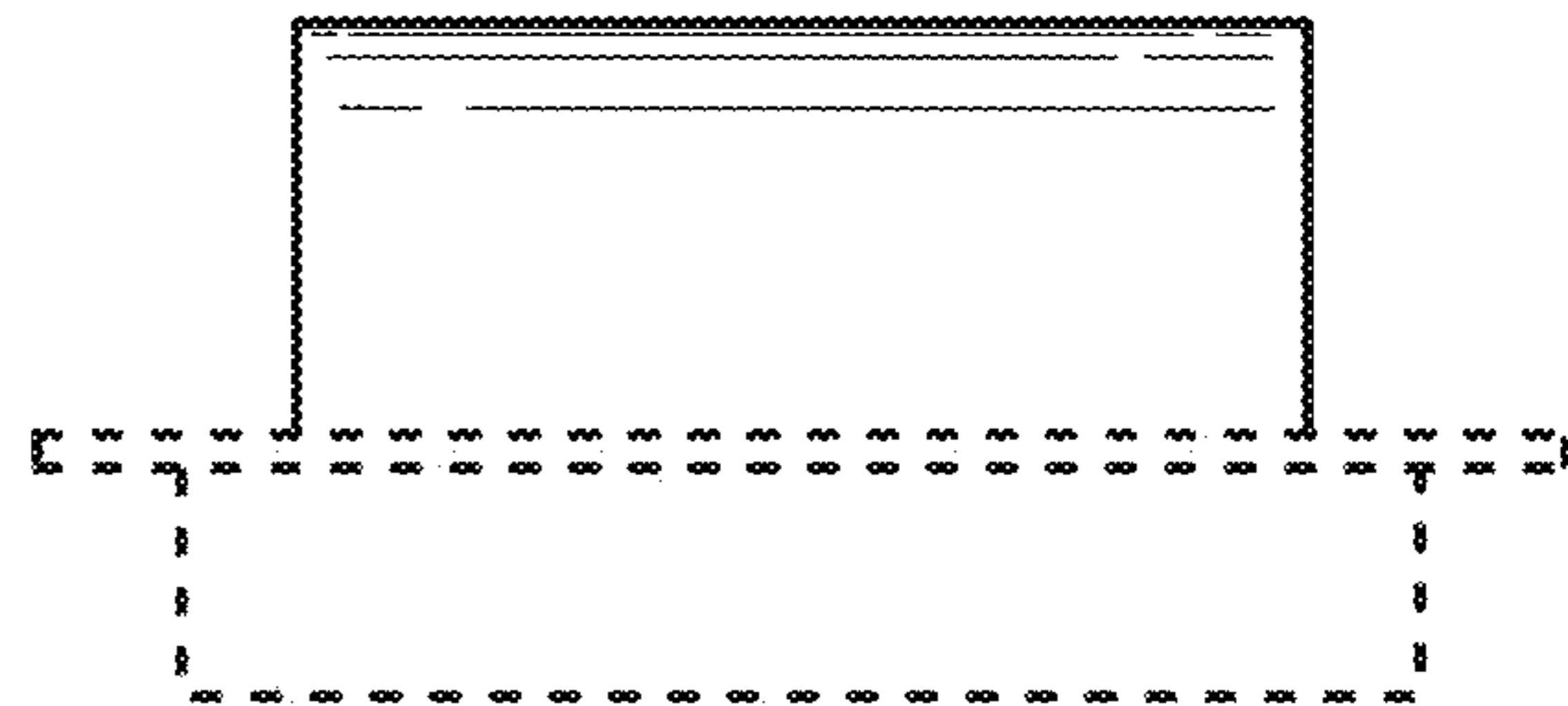


FIG. 5