



US00D952226S

(12) **United States Design Patent**
Zhu

(10) **Patent No.:** **US D952,226 S**

(45) **Date of Patent:** **** *May 17, 2022**

- (54) **STREET LIGHT**
- (71) Applicant: **Taizhou JiaoGuang Lighting Co., Ltd.**, Taizhou (CN)
- (72) Inventor: **Jianrong Zhu**, Irvine, CA (US)
- (73) Assignee: **Taizhou JiaoGuang Lighting Co., Ltd.**, Taizhou (CN)
- (*) Notice: This patent is subject to a terminal disclaimer.
- (**) Term: **15 Years**
- (21) Appl. No.: **29/614,338**
- (22) Filed: **Aug. 17, 2017**
- (51) **LOC (13) Cl.** **26-05**
- (52) **U.S. Cl.**
USPC **D26/71; D26/92**
- (58) **Field of Classification Search**
USPC D26/63, 67-72, 92
CPC F21S 8/08; F21S 8/085; F21S 8/088; F21S 9/03; F21S 9/037; F21W 2111/02; F21W 2131/103; F21W 2131/107
See application file for complete search history.

(56) **References Cited**

U.S. PATENT DOCUMENTS

D437,958 S *	2/2001	Doron, Jr.	D26/71
D607,593 S *	1/2010	Yoo	D26/71
D634,873 S *	3/2011	Guercio	D26/71
D767,196 S *	9/2016	Duckworth	D26/92
9,835,314 B1 *	12/2017	Wright	F21V 17/10

D810,985 S *	2/2018	McCracken, Jr.	G08B 13/19632
				D26/71
D831,872 S *	10/2018	Sinai	F21V 17/10
				D26/71
D843,628 S *	3/2019	Compton	F21S 8/086
				D26/71
2009/0251898 A1 *	10/2009	Kinnune	F21V 29/004
				362/249.02
2014/0211470 A1 *	7/2014	Kinnune	F21S 8/086
				362/249.02
2014/0218941 A1 *	8/2014	Wilcox	F21S 8/033
				362/373
2015/0345772 A1 *	12/2015	Duckworth	F21S 8/085
				362/373
2017/0370553 A1 *	12/2017	Demuynck	F21V 3/02
2018/0363894 A1 *	12/2018	Gabriel	F21S 8/088

* cited by examiner

Primary Examiner — Clare E Heflin

(74) *Attorney, Agent, or Firm* — Michael D. Eisenberg

(57) **CLAIM**

The ornamental design for a street light, as shown and described.

DESCRIPTION

FIG. 1 is a perspective view of a street light showing my new design;

FIG. 2 is a top view of the street light;

FIG. 3 is a right side view of the street light;

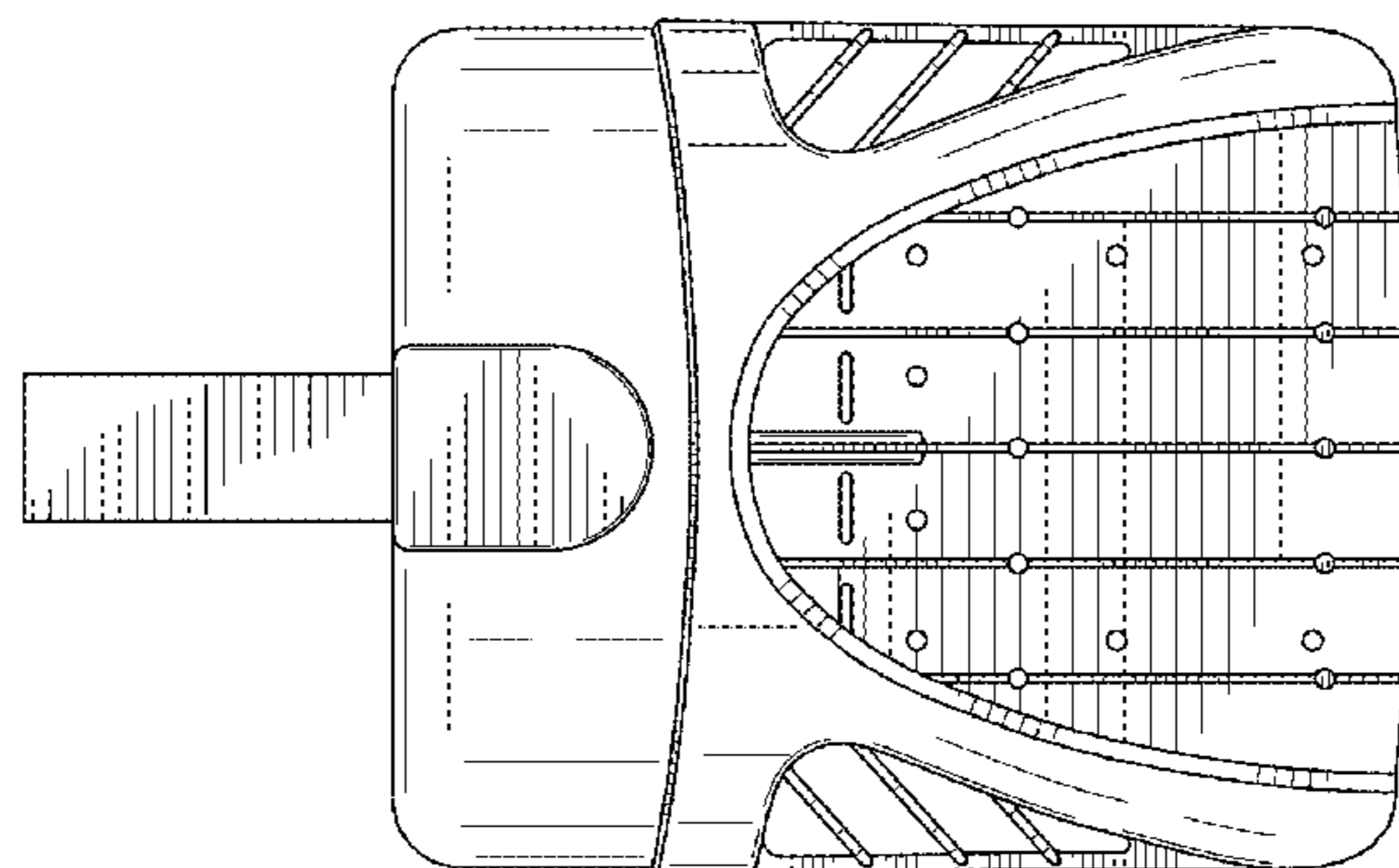
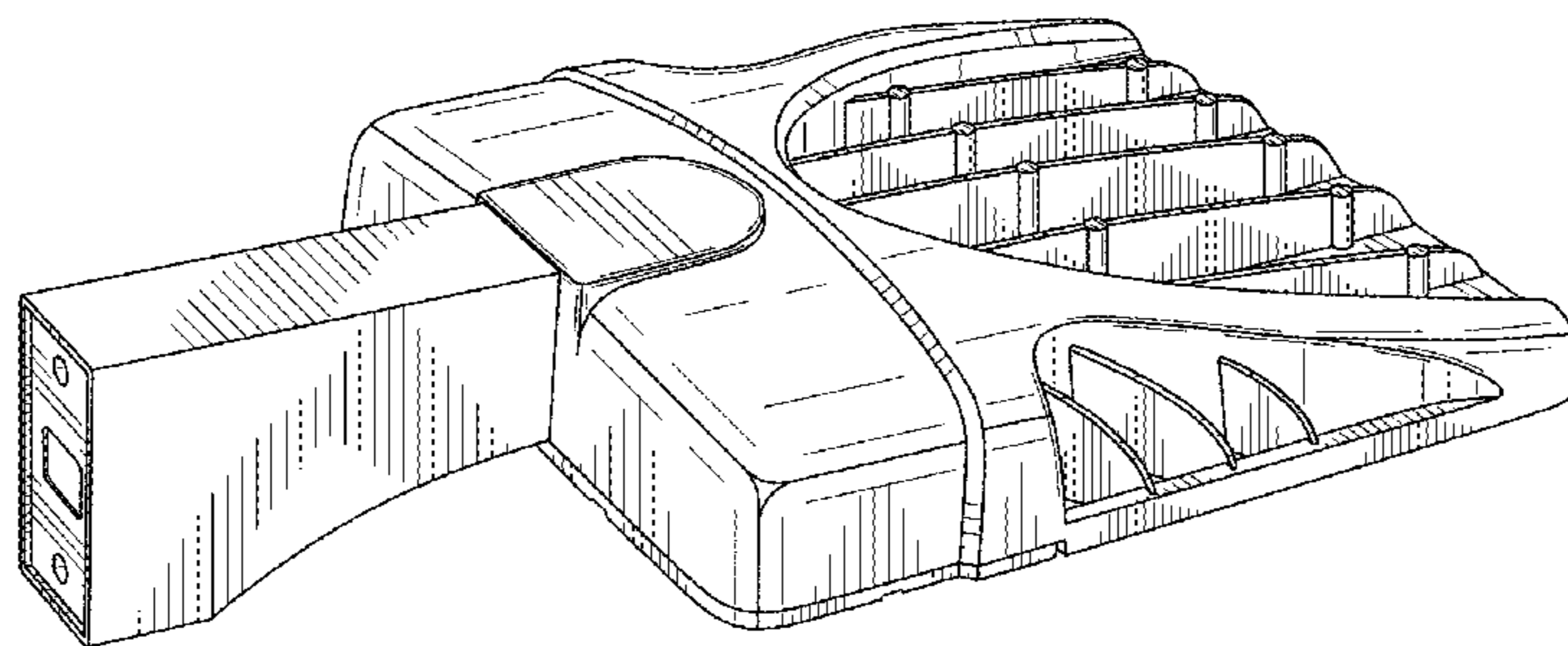
FIG. 4 is a rear view of the street light;

FIG. 5 is a left side view of the street light;

FIG. 6 is a front view of the street light; and,

FIG. 7 is a bottom view of the street light.

1 Claim, 3 Drawing Sheets



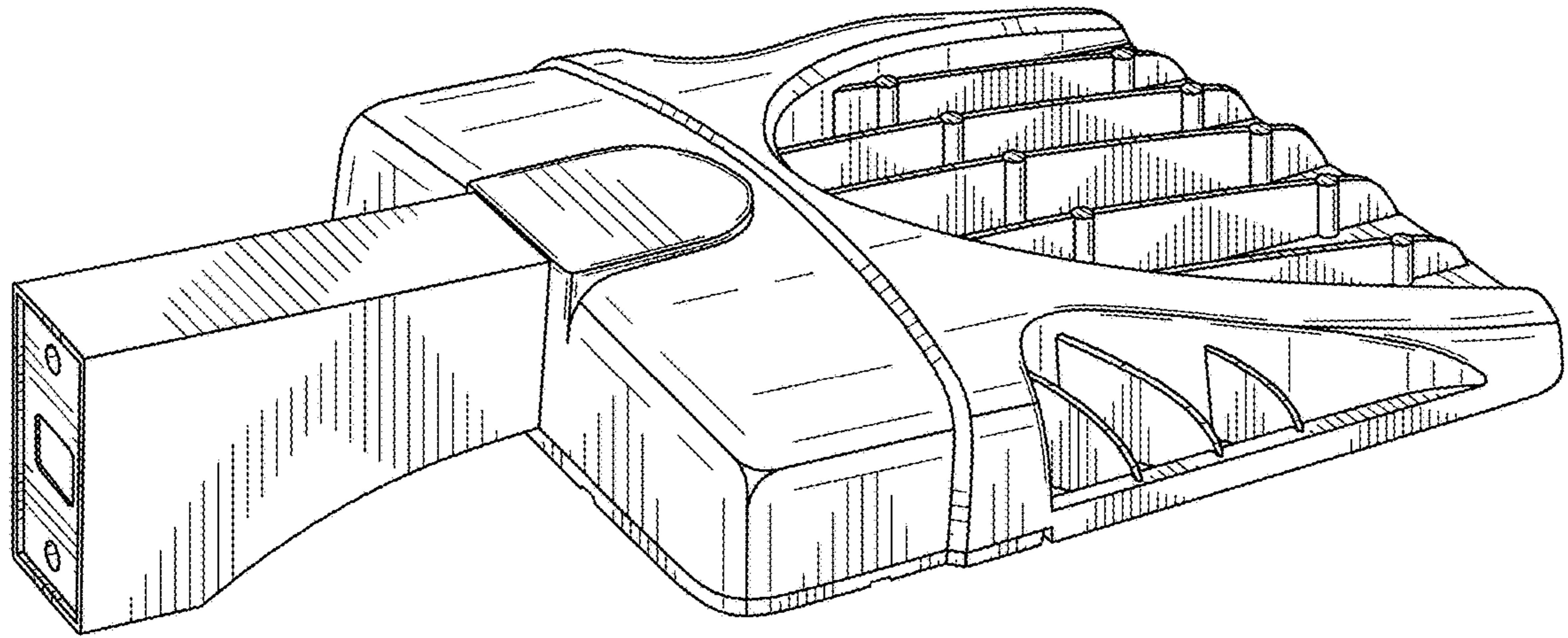


FIG. 1

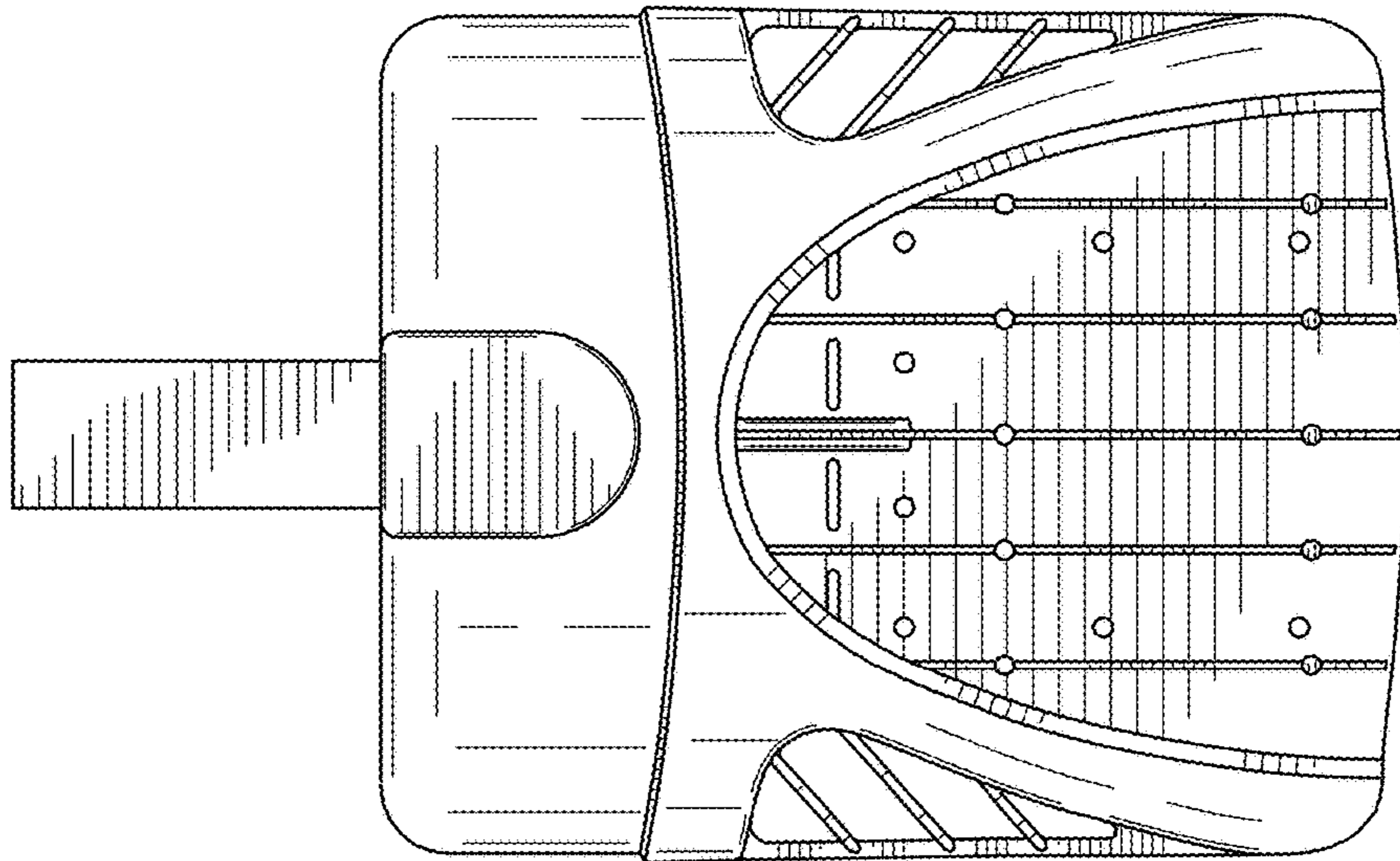


FIG. 2

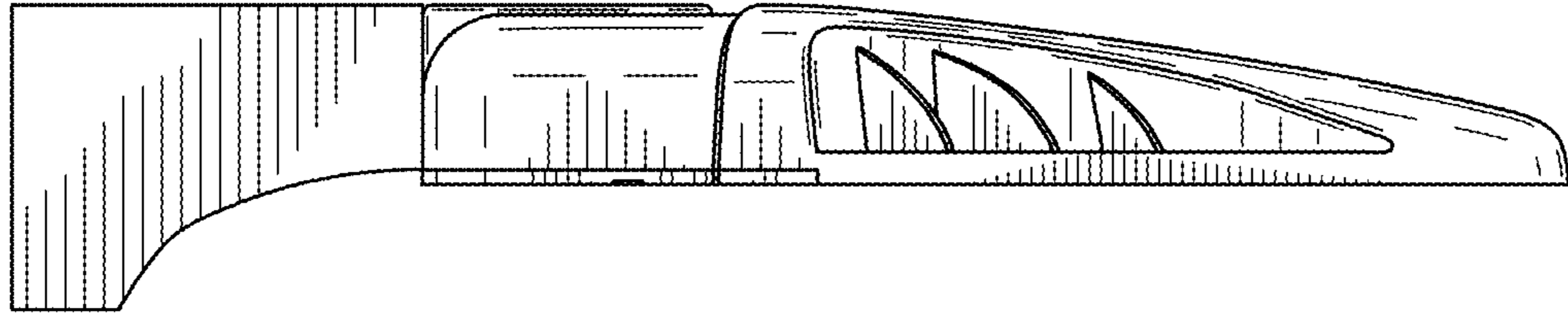


FIG. 3

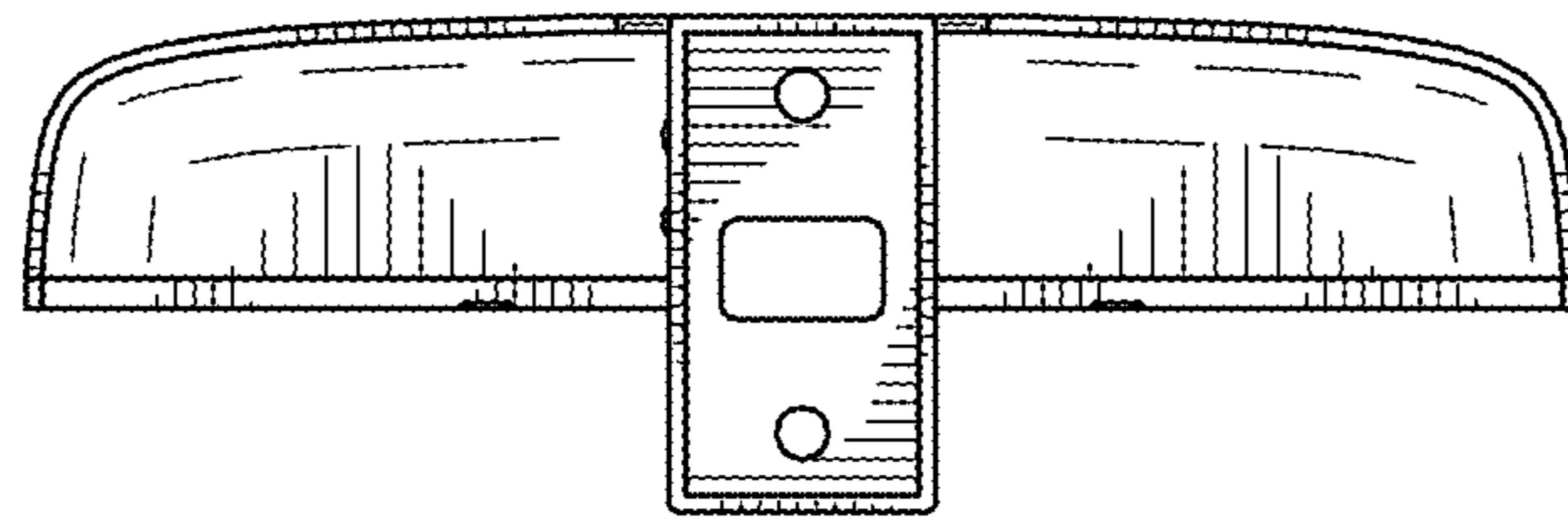


FIG. 4

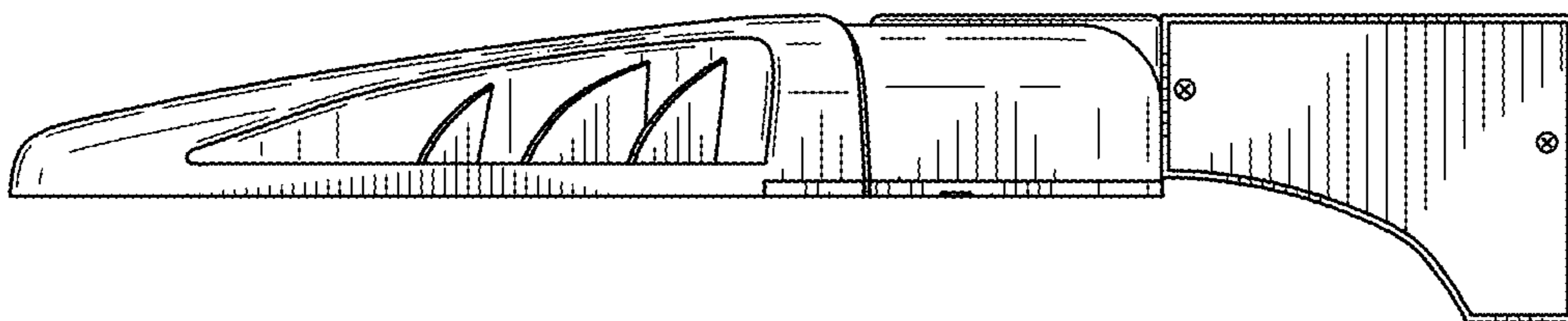


FIG. 5

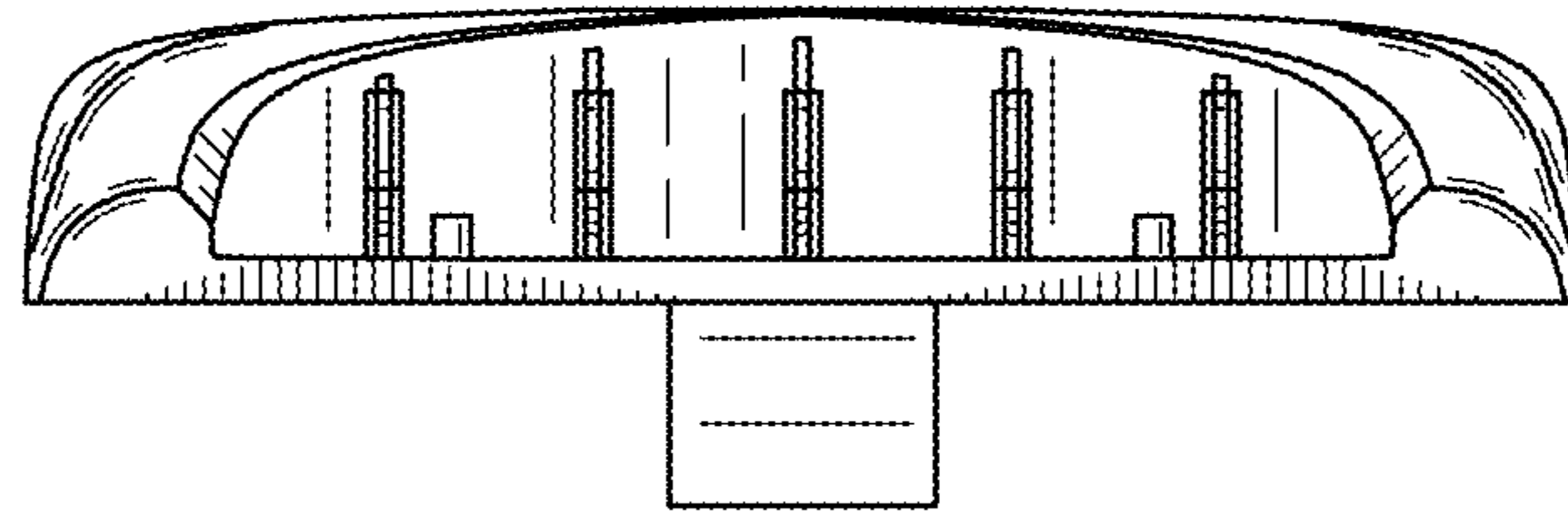


FIG. 6

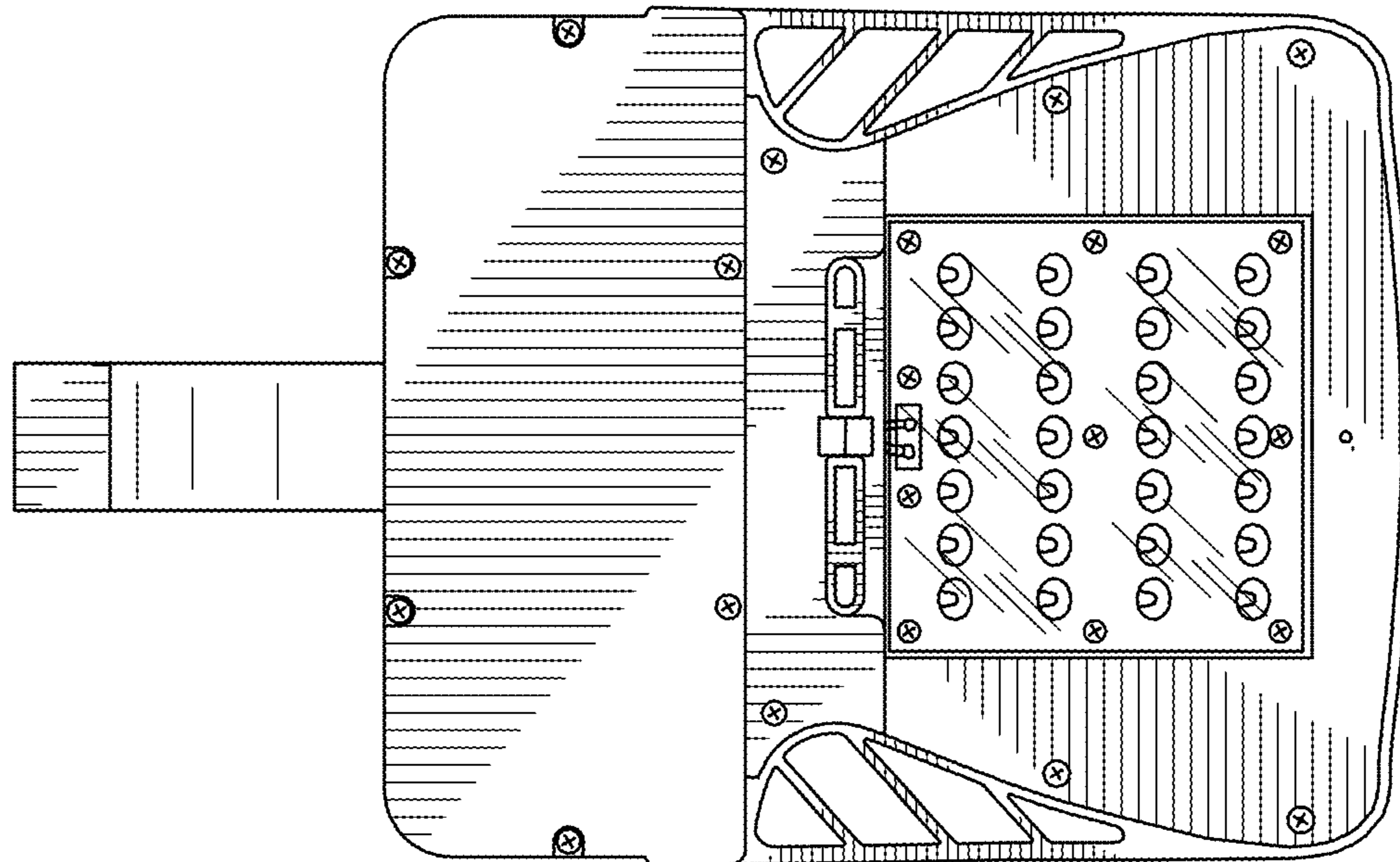


FIG. 7