



US00D952225S

(12) **United States Design Patent** (10) **Patent No.:** **US D952,225 S**  
**Liao** (45) **Date of Patent:** **\*\* May 17, 2022**

(54) **SOLAR DECK LIGHT**

(71) Applicant: **Zhian Liao**, Zhuhai (CN)

(72) Inventor: **Zhian Liao**, Zhuhai (CN)

(\*\*) Term: **15 Years**

(21) Appl. No.: **29/749,535**

(22) Filed: **Sep. 7, 2020**

(51) **LOC (13) Cl.** ..... **26-05**

(52) **U.S. Cl.**  
USPC ..... **D26/67**

(58) **Field of Classification Search**

USPC ..... D26/67, 72, 74, 80, 84, 85, 88, 89, 92  
CPC .... F21S 8/03; F21S 8/022; F21S 8/032; F21S  
8/033; F21S 8/036; F21S 9/02; F21S  
9/03; F21S 9/037; F21W 2131/107;  
F21W 2131/109; F21V 21/0824; F21V  
21/145

See application file for complete search history.

(56) **References Cited**

**U.S. PATENT DOCUMENTS**

D616,132 S *	5/2010	Chen	.....	D26/67
D758,636 S *	6/2016	Breedlove, Sr.	.....	D26/85
D868,339 S *	11/2019	Recker	.....	D26/85
D890,404 S *	7/2020	Lin	.....	D26/89
D905,887 S *	12/2020	Li	.....	D26/67
D905,890 S *	12/2020	Liu	.....	D26/74
D915,655 S *	4/2021	Liu	.....	D26/74
D925,091 S *	7/2021	Zhong	.....	D26/67
D925,097 S *	7/2021	Mooar	.....	D26/89
D925,803 S *	7/2021	Zhong	.....	D26/67
2014/0347848 A1 *	11/2014	Pisavadia	.....	F21K 9/20 362/190

**OTHER PUBLICATIONS**

Chen Yuliang, Solar Lamp. First Available Aug. 6, 2021. Searched Jan. 7, 2022. Questel serial number of 306740354. (Year: 2021).\*

Siedlinlar Solar Deck Light. First Available Nov. 12, 2020. Searched on Jan. 7, 2022. [https://www.amazon.co.uk/Siedlinlar-Decking-Outdoor-Waterproof-Driveway/dp/B08NC6FGGL?ref\_=ast\_sto\_dp] (Year: 2020).\*

CHINLY Solar Deck Light. First Available Jun. 1, 2020. Searched on Jan. 7, 2022. [https://www.amazon.com/CHINLY-Driveway-Lighting-Waterproof-Outdoor/dp/B07X13V9LB?ref\_=ast\_sto\_dp&th=1 ] (Year: 2020).\*

APONOA Solar Dock Light. First Available Apr. 22, 2020. Searched on Jan. 7, 2022. [https://www.amazon.com/Outdoor-Waterproof-APONUO-Driveway-driveways/dp/B087FVYWD7?ref\_=ast\_sto\_dp&th=1] (Year: 2020).\*

Liu Hangyu, Solar Lamp. First Available Jan. 29, 2019. Searched on Jan. 7, 2022. Questel serial number of registration 305237933. (Year: 2019).\*

Qi Liangliang, Solar Lamp. First Available Jul. 30, 2018. Searched on Jan. 7, 2022. Questel serial number of registration 304976407. (Year: 2018).\*

\* cited by examiner

*Primary Examiner* — Samantha Q Lawrence

*Assistant Examiner* — Melissa Adriane Santos

(57) **CLAIM**

The ornamental design for a solar deck light, as shown and described.

**DESCRIPTION**

FIG. 1 is a perspective view of a solar deck light showing the claimed design;

FIG. 2 is a top plan view thereof;

FIG. 3 is a rear elevational view thereof;

FIG. 4 is a bottom plan view thereof;

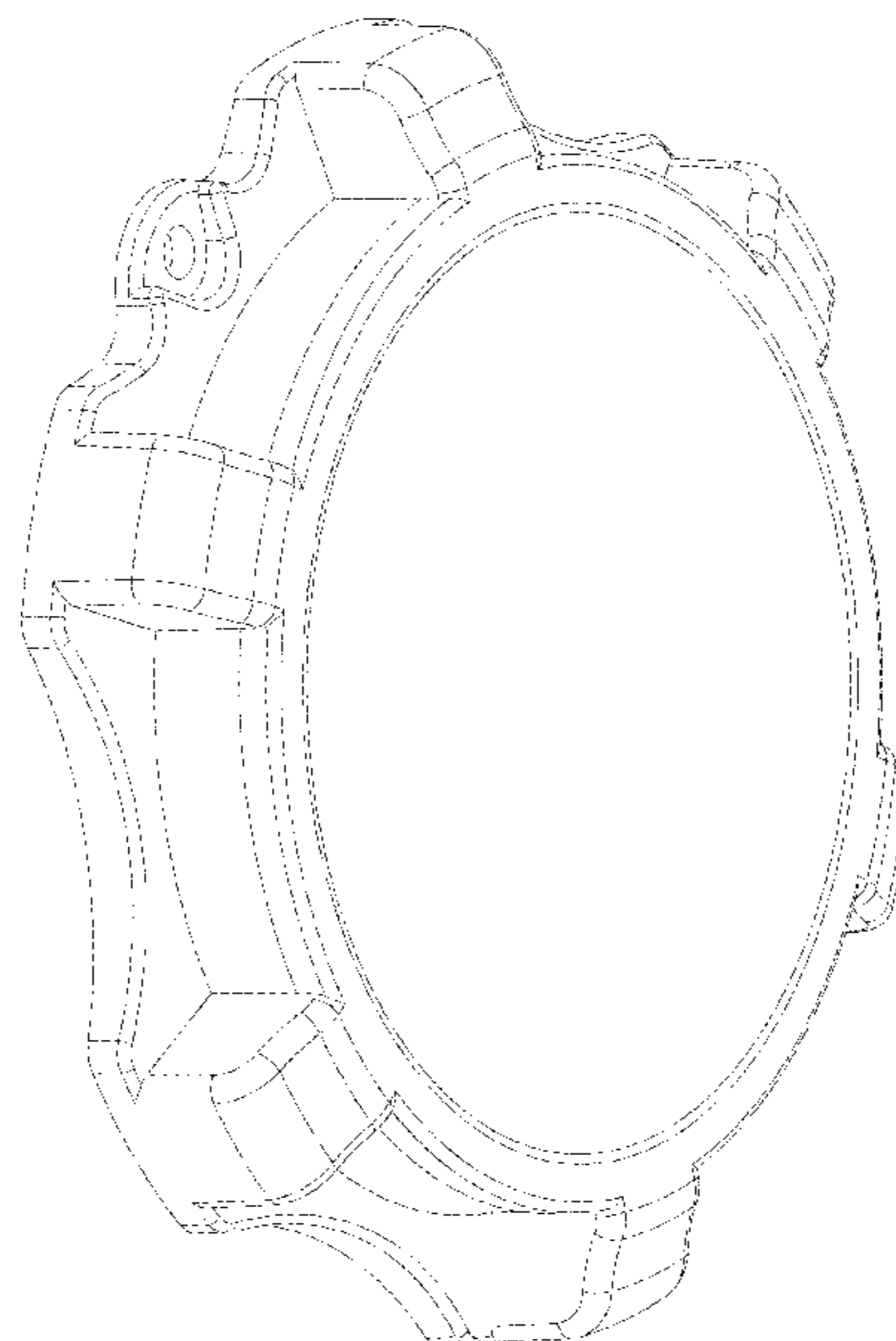
FIG. 5 is a right side view thereof;

FIG. 6 is a front elevational view thereof; and,

FIG. 7 is a left side view thereof.

The broken lines illustrate portions of the solar deck light that form no part of the claimed design.

**1 Claim, 7 Drawing Sheets**



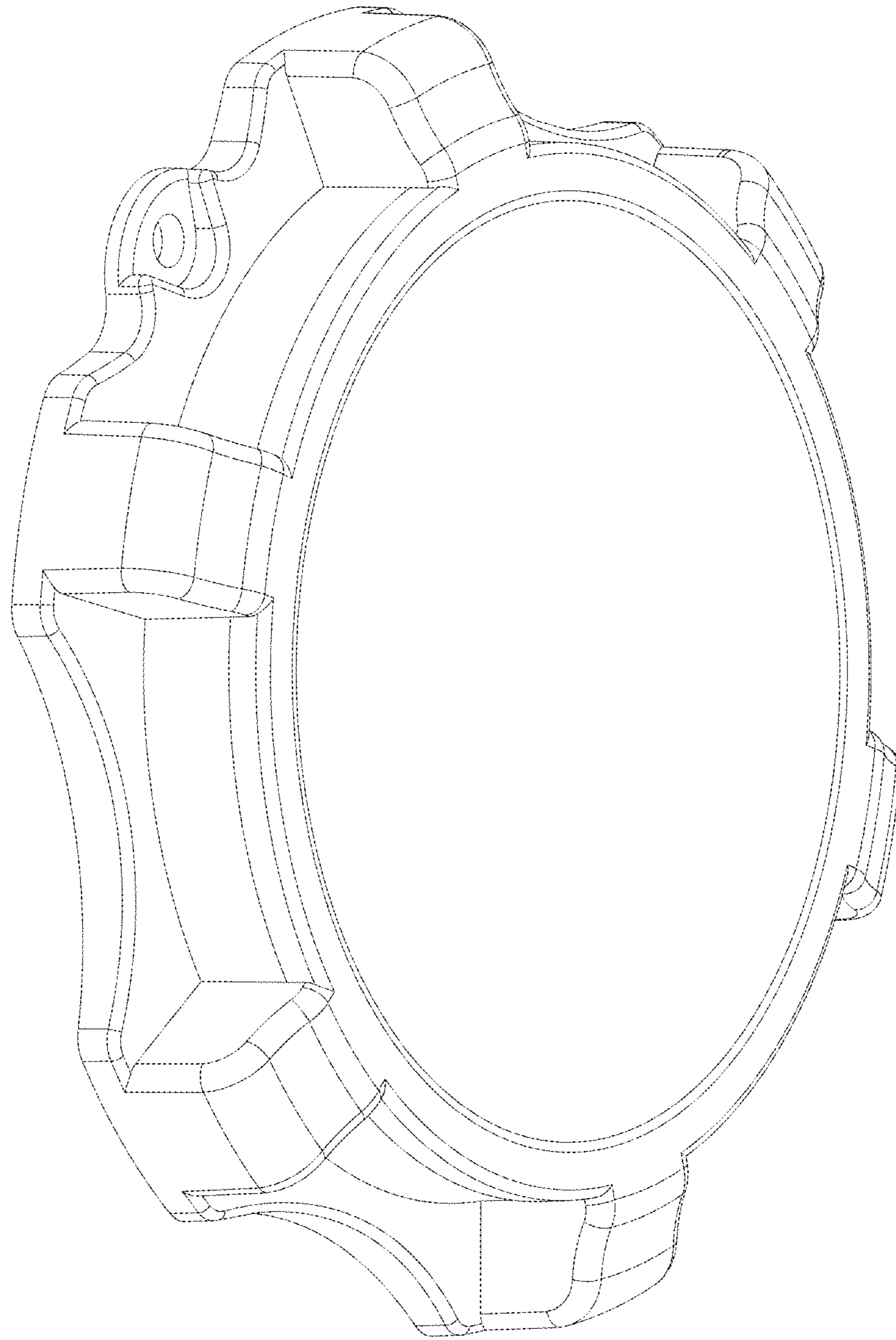


FIG.1

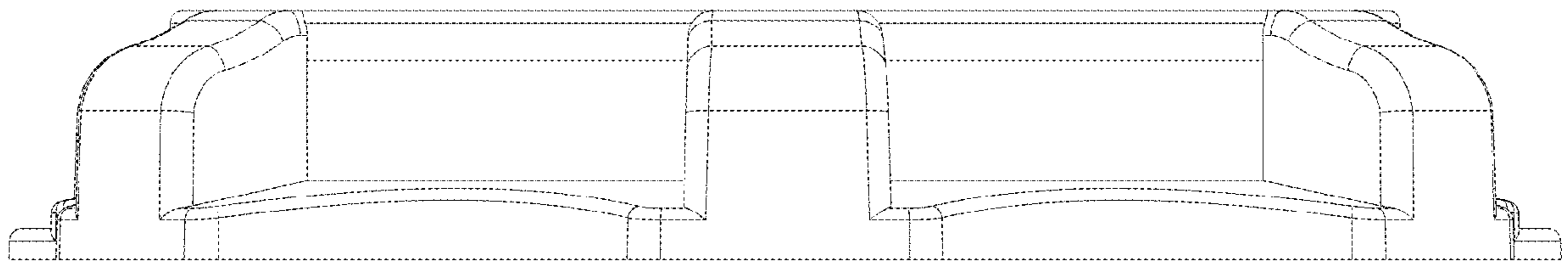


FIG.2

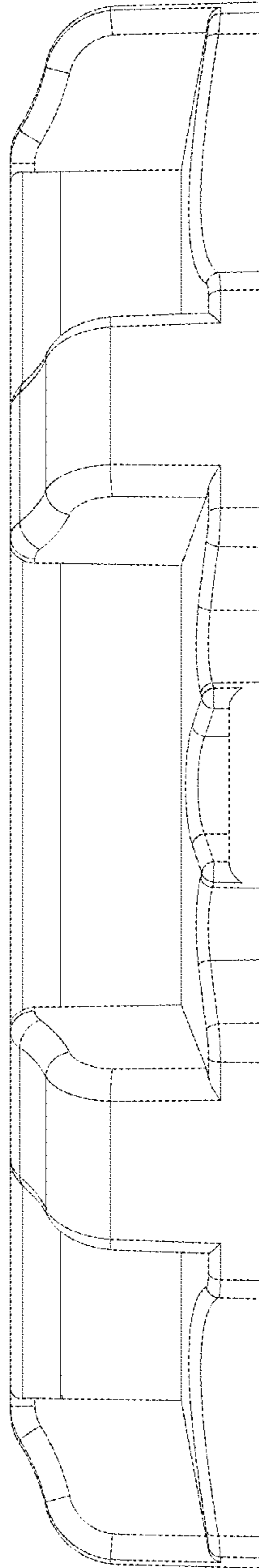


FIG.3

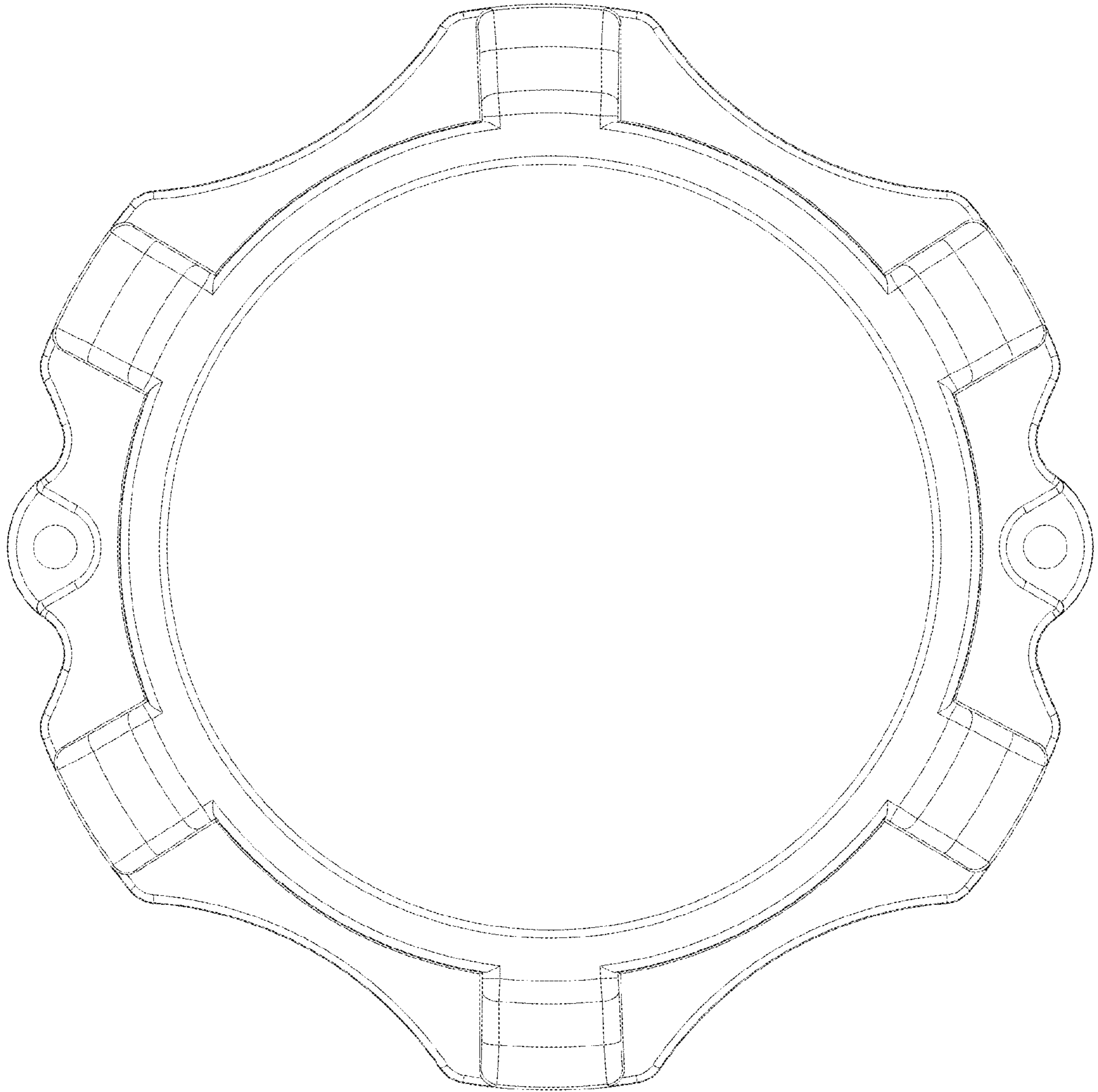


FIG.4

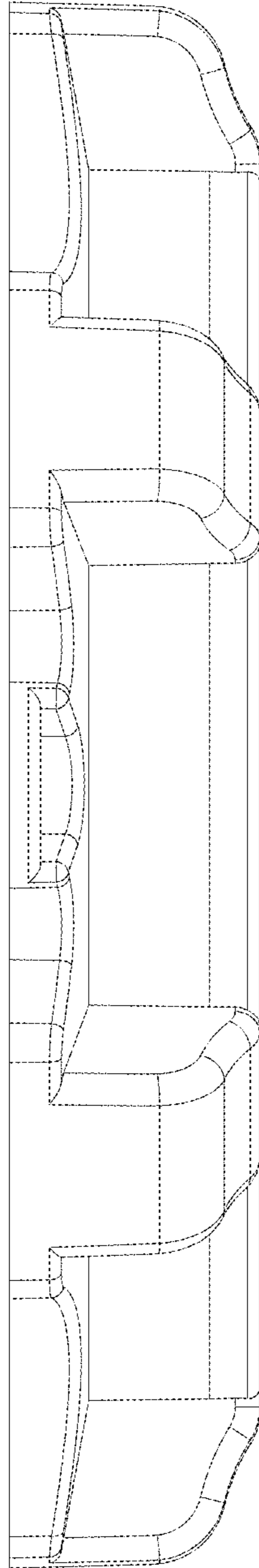


FIG.5

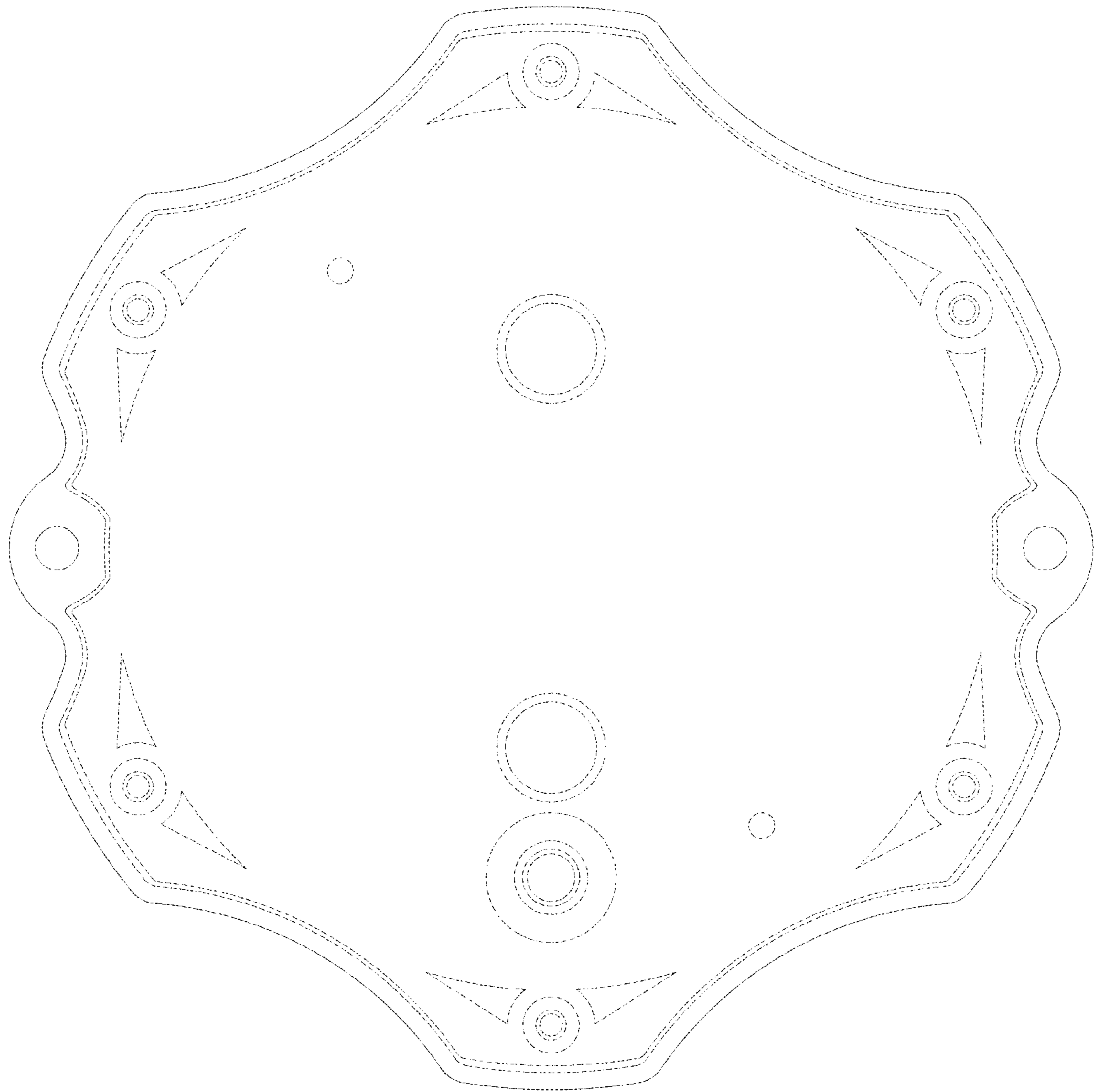


FIG.6

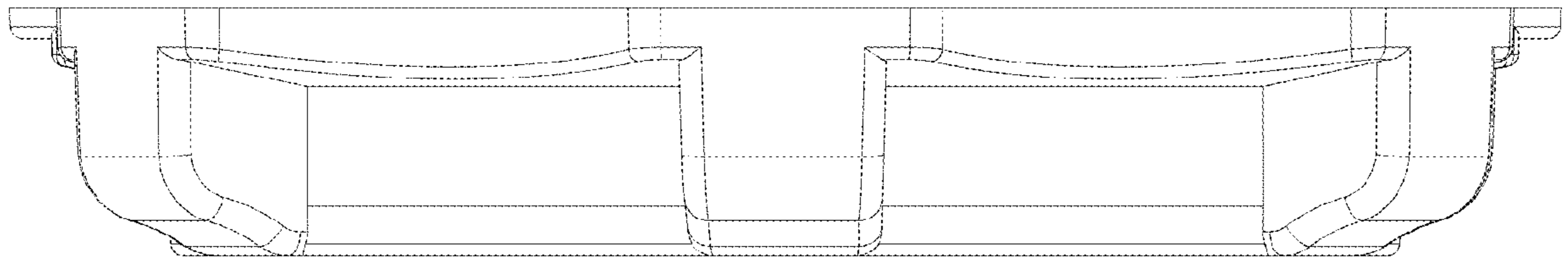


FIG.7