



US00D952224S

(12) **United States Design Patent**
Nankil

(10) **Patent No.:** **US D952,224 S**

(45) **Date of Patent:** **** May 17, 2022**

(54) **LIGHTING FIXTURE HAVING STRUTS**

(71) Applicant: **Hubbell Lighting, Inc.**, Shelton, CT
(US)

(72) Inventor: **Robert R. Nankil**, Buena Park, CA
(US)

(73) Assignee: **Hubbell Lighting, Inc.**, Shelton, CT
(US)

(**) Term: **15 Years**

(21) Appl. No.: **29/689,551**

(22) Filed: **Apr. 30, 2019**

Related U.S. Application Data

(62) Division of application No. 29/601,927, filed on Apr. 27, 2017, now Pat. No. Des. 851,800, which is a
(Continued)

(51) **LOC (13) Cl.** **26-05**

(52) **U.S. Cl.**
USPC **D26/67; D26/85**

(58) **Field of Classification Search**
USPC **D26/67-70, 72, 85, 87, 92**
(Continued)

(56) **References Cited**

U.S. PATENT DOCUMENTS

999,813 A 8/1911 Losey
1,019,246 A 3/1912 Godinez
(Continued)

FOREIGN PATENT DOCUMENTS

GB 2025424 5/1993
GB 2044993 2/1995
(Continued)

OTHER PUBLICATIONS

Abston 13.25" H Outdoor Wall Lantern by Loon Peak, SKU: LNPE8196 available from wayfair.com as early as Sep. 22, 2020. (Year: 2020).*

Primary Examiner — Clare E Heflin

(74) *Attorney, Agent, or Firm* — Michael Best & Friedrich LLP

(57) **CLAIM**

The ornamental design for a lighting fixture having struts, as shown and described.

DESCRIPTION

FIG. 1 is a top plan view of a lighting fixture having struts according to a first embodiment of the invention;

FIG. 2 is a top perspective view of the lighting fixture illustrated in FIG. 1;

FIG. 3 is a front elevational view of the lighting fixture illustrated in FIGS. 1 and 2, the back elevational view being the mirror image thereof;

FIG. 4 is a left side elevational view of the lighting fixture illustrated in FIGS. 1-3, the right side being the mirror image thereof;

FIG. 5 is a bottom plan view of the lighting fixture illustrated in FIGS. 1-4;

FIG. 6 is a bottom perspective view of the lighting fixture illustrated in FIGS. 1-5;

FIG. 7 is a top plan view of a lighting fixture having struts according to a second embodiment;

FIG. 8 is a top perspective view of the lighting fixture illustrated in FIG. 7;

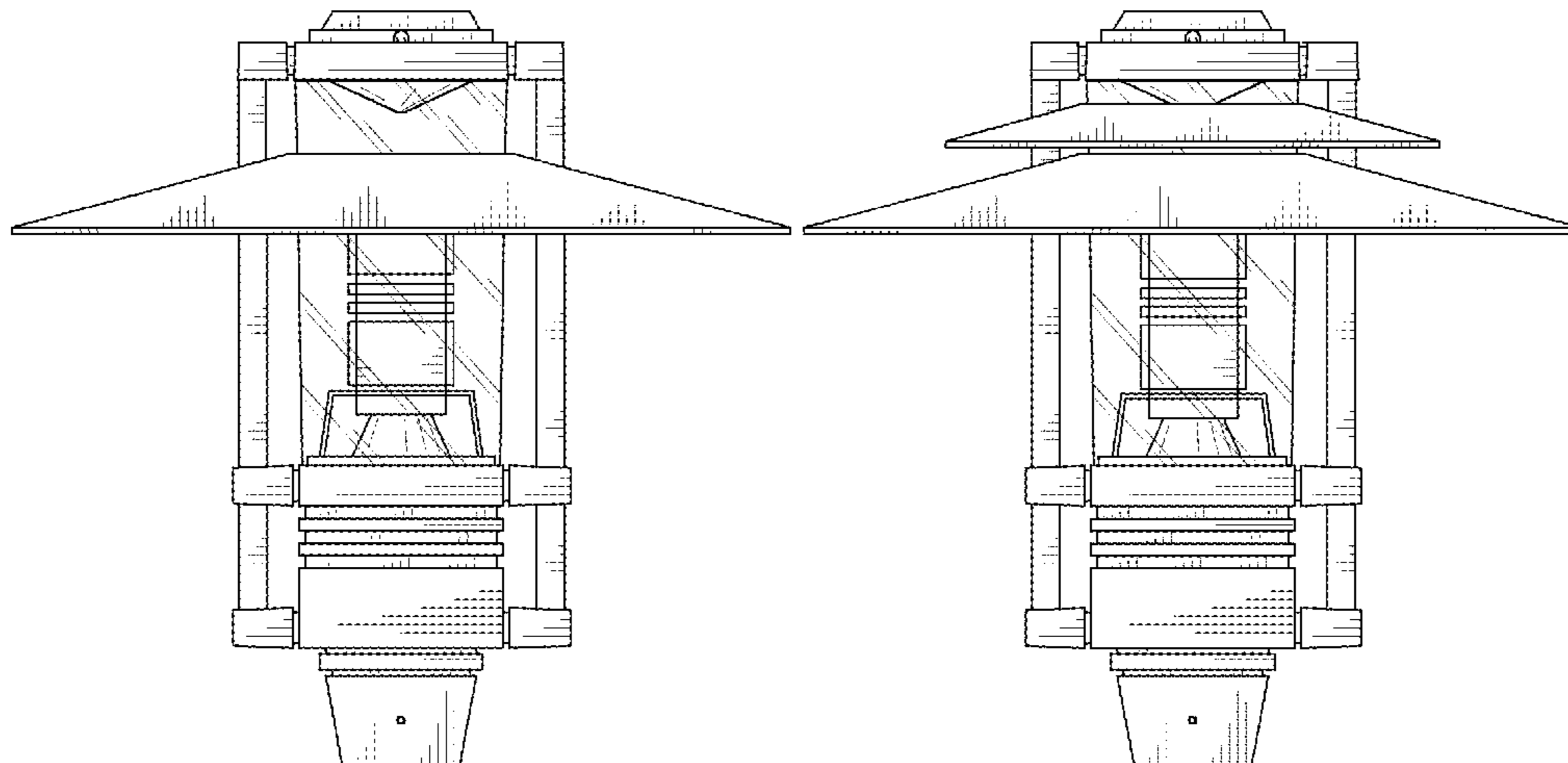
FIG. 9 is a front elevational view of the lighting fixture illustrated in FIGS. 7 and 8, the back elevational view being the same as the front elevational view;

FIG. 10 is a left side elevational view of the lighting fixture illustrated in FIGS. 7-9, the right side being the same as the right side elevational view;

FIG. 11 is a bottom plan view of the lighting fixture illustrated in FIGS. 7-10; and,

FIG. 12 is a bottom perspective view of the lighting fixture illustrated in FIGS. 7-11.

1 Claim, 6 Drawing Sheets



Related U.S. Application Data

division of application No. 29/552,851, filed on Jan. 26, 2016, now Pat. No. Des. 785,847, which is a division of application No. 29/205,213, filed on Sep. 12, 2014, now Pat. No. Des. 751,747, which is a division of application No. 29/440,322, filed on Dec. 20, 2012, now Pat. No. Des. 715,475, which is a division of application No. 29/419,121, filed on Apr. 25, 2012, now Pat. No. Des. 676,588, which is a division of application No. 29/401,710, filed on Sep. 14, 2011, now Pat. No. Des. 662,647, which is a division of application No. 29/347,584, filed on Mar. 8, 2010, now Pat. No. Des. 647,235.

- (58) **Field of Classification Search**
 CPC F21S 6/004; F21S 6/005; F21S 8/06; F21S 8/061; F21S 8/063; F21S 8/08; F21S 8/081; F21S 8/088; F21S 9/037; F21W 2131/109

See application file for complete search history.

- (56) **References Cited**

U.S. PATENT DOCUMENTS

1,082,753	A	12/1913	Losey	
1,473,380	A	11/1923	Peterson	
D75,057	S	5/1928	Rosenblatt	
D75,420	S	6/1928	Frerichs	
1,732,745	A	10/1929	Erskine	
D82,136	S	9/1930	Chapman	
D85,931	S	1/1932	Graff	
D100,556	S	7/1936	Gosling	
D125,314	S	2/1941	Proulx	
D138,831	S	9/1944	McCann	
D152,994	S	3/1949	McCann	
D154,302	S	6/1949	Palmquist	
2,523,818	A	9/1950	Cortes	
D160,899	S	11/1950	Stevens	
2,793,285	A	5/1957	Brainerd	
D185,974	S	8/1959	Rambusch et al.	
D194,624	S	2/1963	Pettingill	
D199,266	S	9/1964	Izzi	
D199,409	S	10/1964	Von Steenhoven	
3,194,952	A	7/1965	Wells	
3,207,893	A	9/1965	Nado	
D208,659	S	9/1967	Koziol	
D210,015	S	1/1968	Kahn	
D211,277	S	6/1968	Layton	
D219,022	S	10/1970	Yamazaki	
D225,563	S	12/1972	Mackey	
3,833,804	A	9/1974	Vesely	
D235,677	S	7/1975	Goldberg	
D235,914	S	7/1975	Schacht	
D239,460	S	4/1976	Schacht	
D245,506	S	8/1977	Kikoler	
4,069,415	A	1/1978	Dacal	
D298,861	S	12/1988	Ewing et al.	
4,858,088	A	8/1989	Agabekov	
4,951,184	A	8/1990	Makurof	
D338,977	S	8/1993	Ewing et al.	
5,384,694	A	1/1995	Yang	
5,430,631	A	7/1995	Dick	
D383,238	S	9/1997	Chen	
D403,097	S	12/1998	Littman	
D411,030	S	6/1999	Chen	
D426,913	S	6/2000	Johnson	
D427,349	S	* 6/2000	Landefeld	D26/67
D427,350	S	6/2000	Landefeld	

D427,351	S	6/2000	Landefeld	
D427,705	S	7/2000	Landefeld	
D444,584	S	7/2001	Landefeld	
D447,591	S	9/2001	Hsu	
D453,388	S	2/2002	Leen	
6,494,599	B1	12/2002	Leen	
D473,333	S	4/2003	Willmorth	
D506,281	S	6/2005	Randazzo et al.	
D518,221	S	3/2006	Randazzo et al.	
7,066,613	B2	6/2006	Vishwamitra	
D524,475	S	7/2006	Randazzo et al.	
D537,189	S	2/2007	Zhang	
D537,556	S	2/2007	Summerford et al.	
D553,286	S	10/2007	Chung et al.	
D563,584	S	3/2008	Lee et al.	
7,387,409	B1	6/2008	Beadle	
D580,084	S	11/2008	Walsh	
D580,581	S	11/2008	Grant	
D583,494	S	12/2008	Friedman et al.	
7,473,016	B2	1/2009	Flaherty et al.	
D586,493	S	2/2009	Parres	
D589,194	S	3/2009	Sabernig	
D594,152	S	6/2009	Miranda	
D597,696	S	8/2009	Sabernig	
D601,291	S	9/2009	Nankil	
D625,455	S	10/2010	Sonneman	
D625,456	S	10/2010	Sonneman	
D625,457	S	10/2010	Sonneman	
D625,878	S	10/2010	Sabernig	
D629,949	S	12/2010	Ho	
D629,954	S	12/2010	Compton	
D639,995	S	6/2011	Compton	
D640,806	S	6/2011	Zheng	
D646,832	S	10/2011	Chen	
D647,235	S	10/2011	Nankil	
D676,588	S	* 2/2013	Nankil	D26/67
D715,475	S	* 10/2014	Nankil	D26/67
D728,143	S	4/2015	Nankil	
D740,992	S	10/2015	Orozco	
D751,747	S	* 3/2016	Nankil	D26/67
D760,939	S	7/2016	Hoang	
D773,716	S	12/2016	Nankil	
9,551,481	B1	1/2017	Chen	
D785,847	S	* 5/2017	Nankil	D26/88
D822,251	S	* 7/2018	Chen	D26/67
D851,800	S	* 6/2019	Nankil	D26/67
D906,575	S	* 12/2020	Orozco	D26/87
2003/0202340	A1	10/2003	Wu	
2006/0274537	A1	12/2006	Randazzo	
2010/0246194	A1	9/2010	Nankil	
2011/0228523	A1	9/2011	Zheng	
2013/0094208	A1	4/2013	Gill et al.	
2017/0082260	A1	3/2017	Kao	
2017/0278985	A1	9/2017	Izradel	
2017/0292680	A1	10/2017	Utting et al.	
2018/0003353	A1	1/2018	Izradel	
2018/0187846	A1	7/2018	Cohen	
2018/0209594	A1	7/2018	Parisi	
2019/0041051	A1	* 2/2019	Wijaya	F21V 23/004

FOREIGN PATENT DOCUMENTS

GB	2046752	8/1995
GB	2057479	11/1995
GB	2088112	11/1999
GB	3005118	7/2002
GB	3009606	12/2002
GB	3010811	2/2003
GB	3010812	2/2003
GB	3010813	7/2003
GB	4005870	2/2008

* cited by examiner

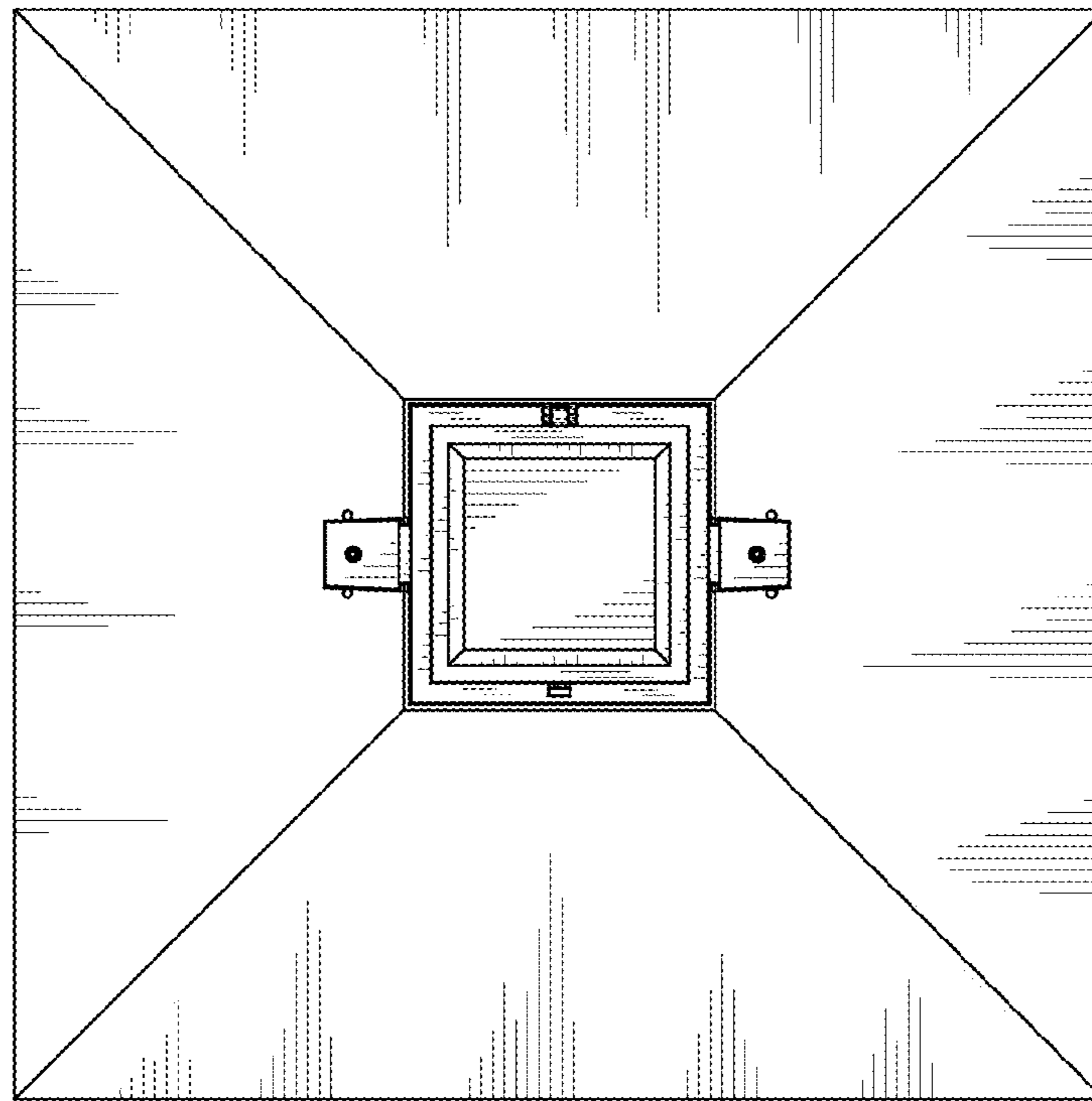


FIG. 1

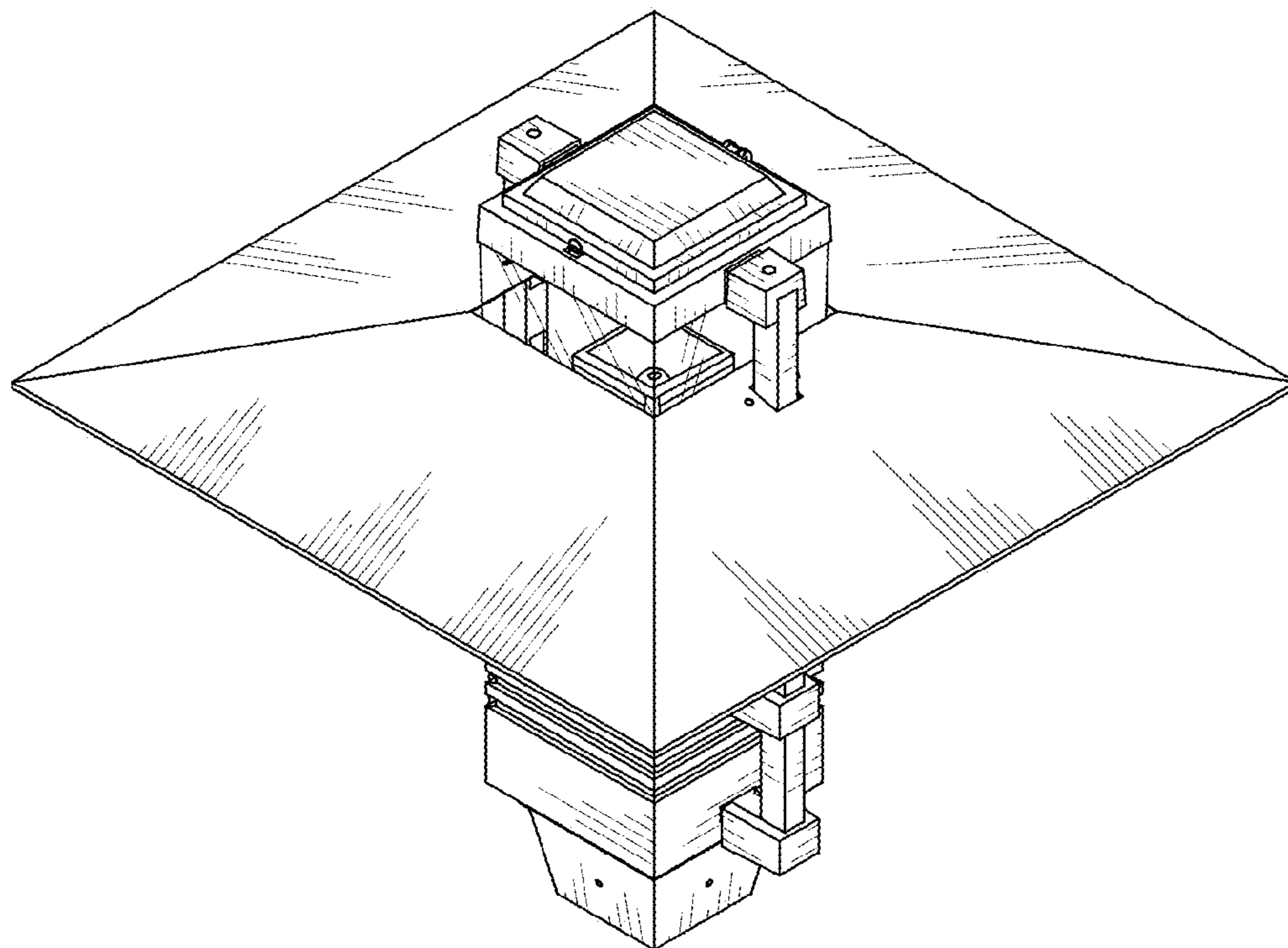


FIG. 2

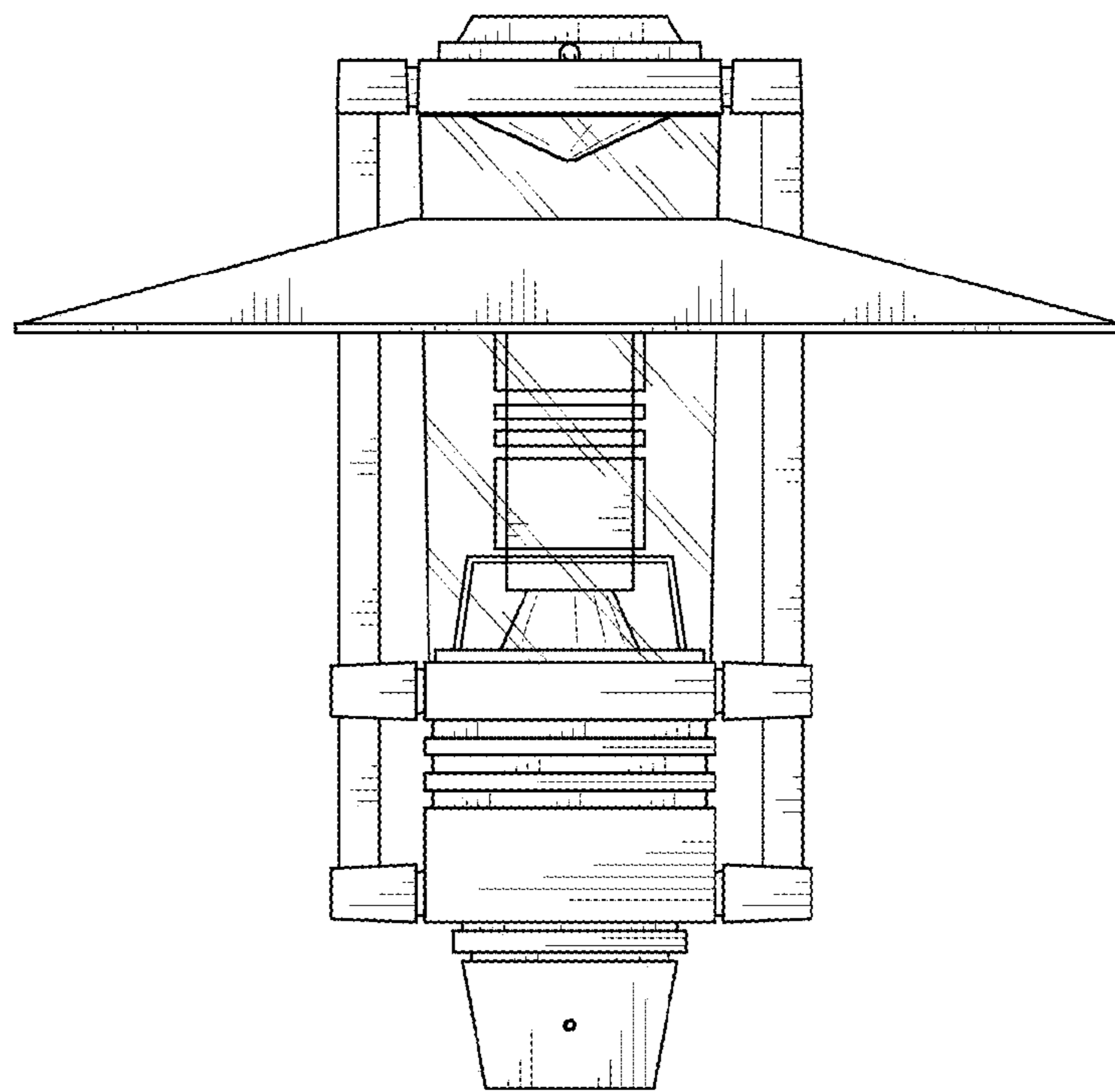


FIG. 3

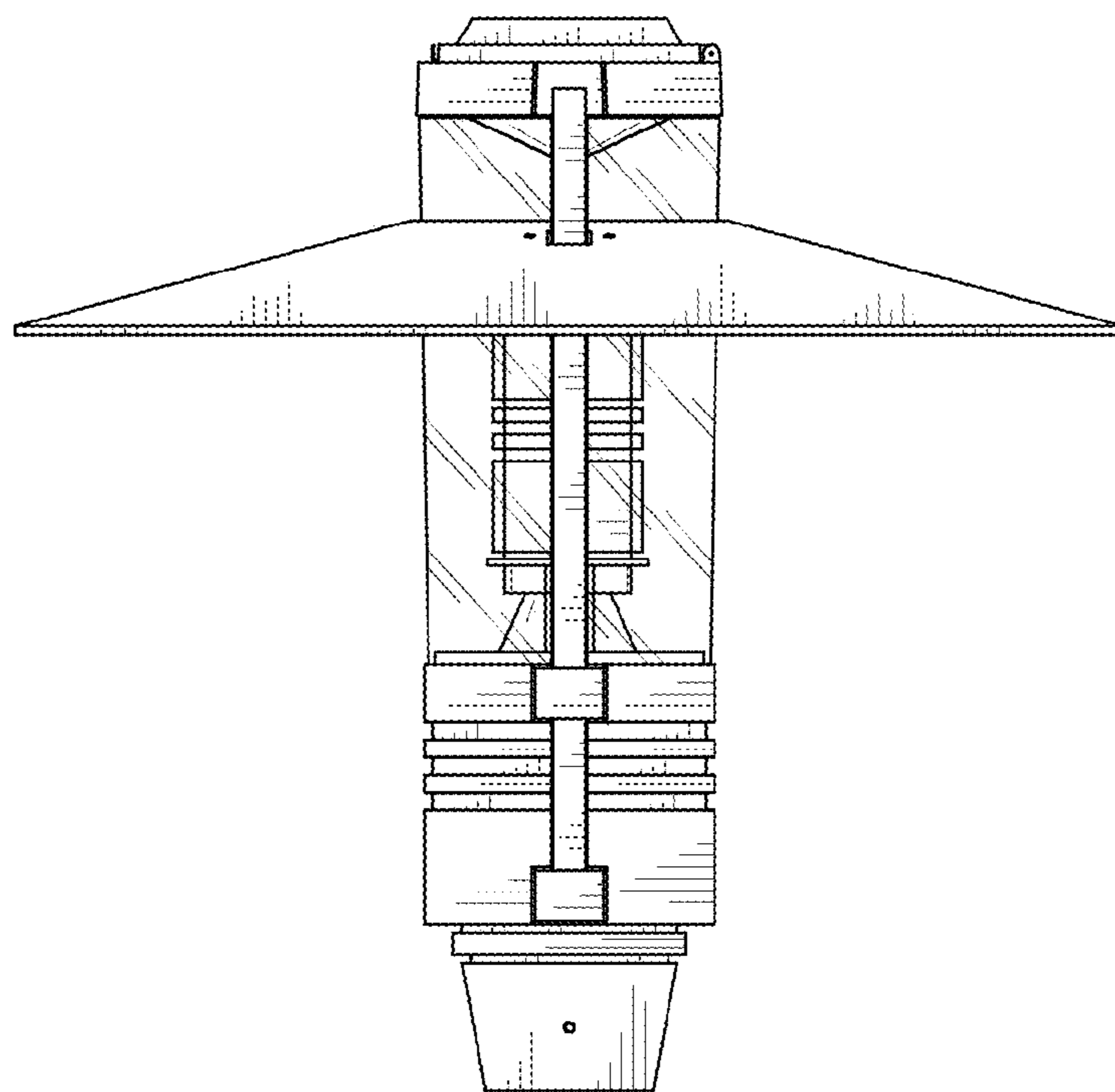


FIG. 4

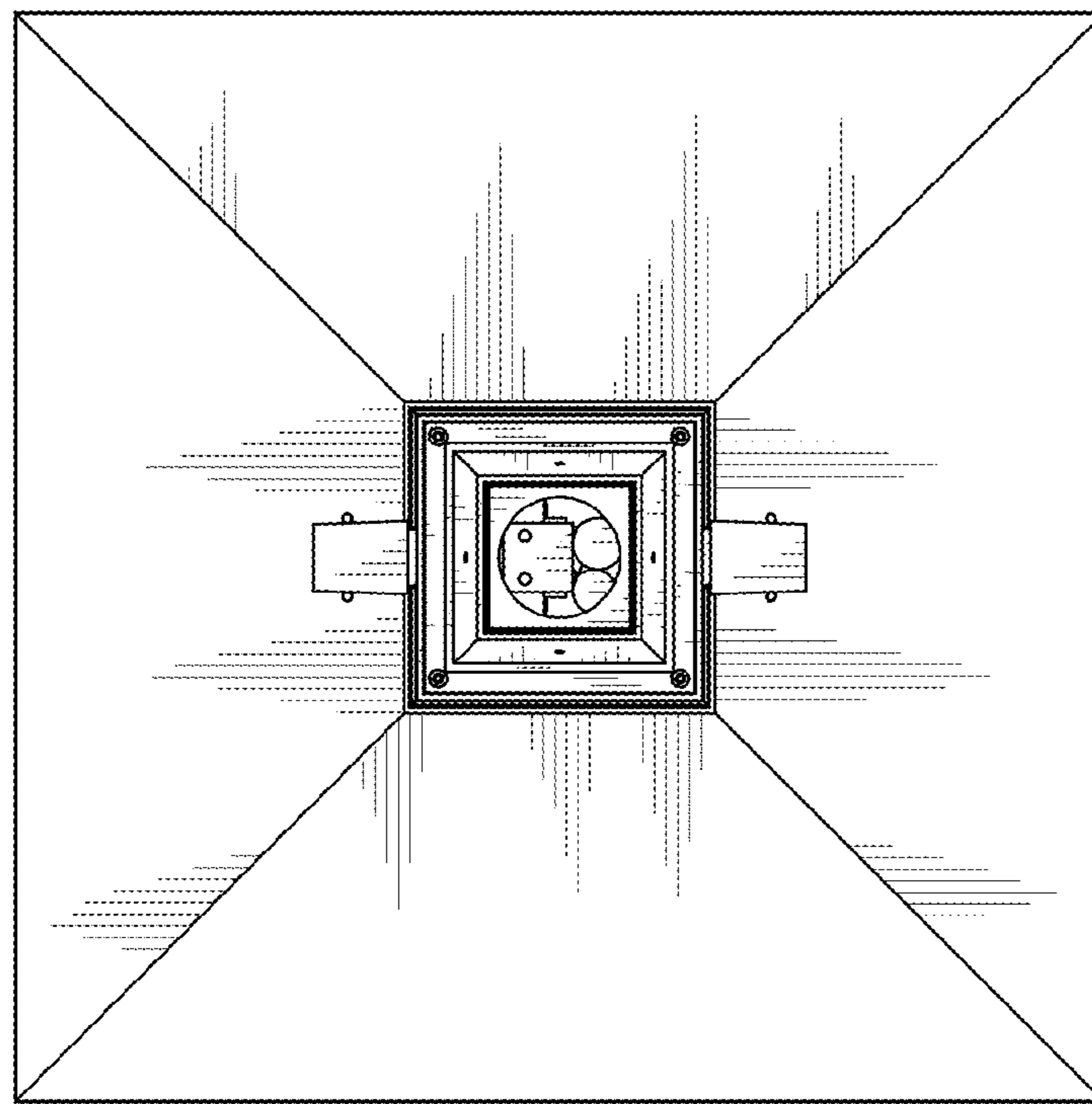


FIG. 5

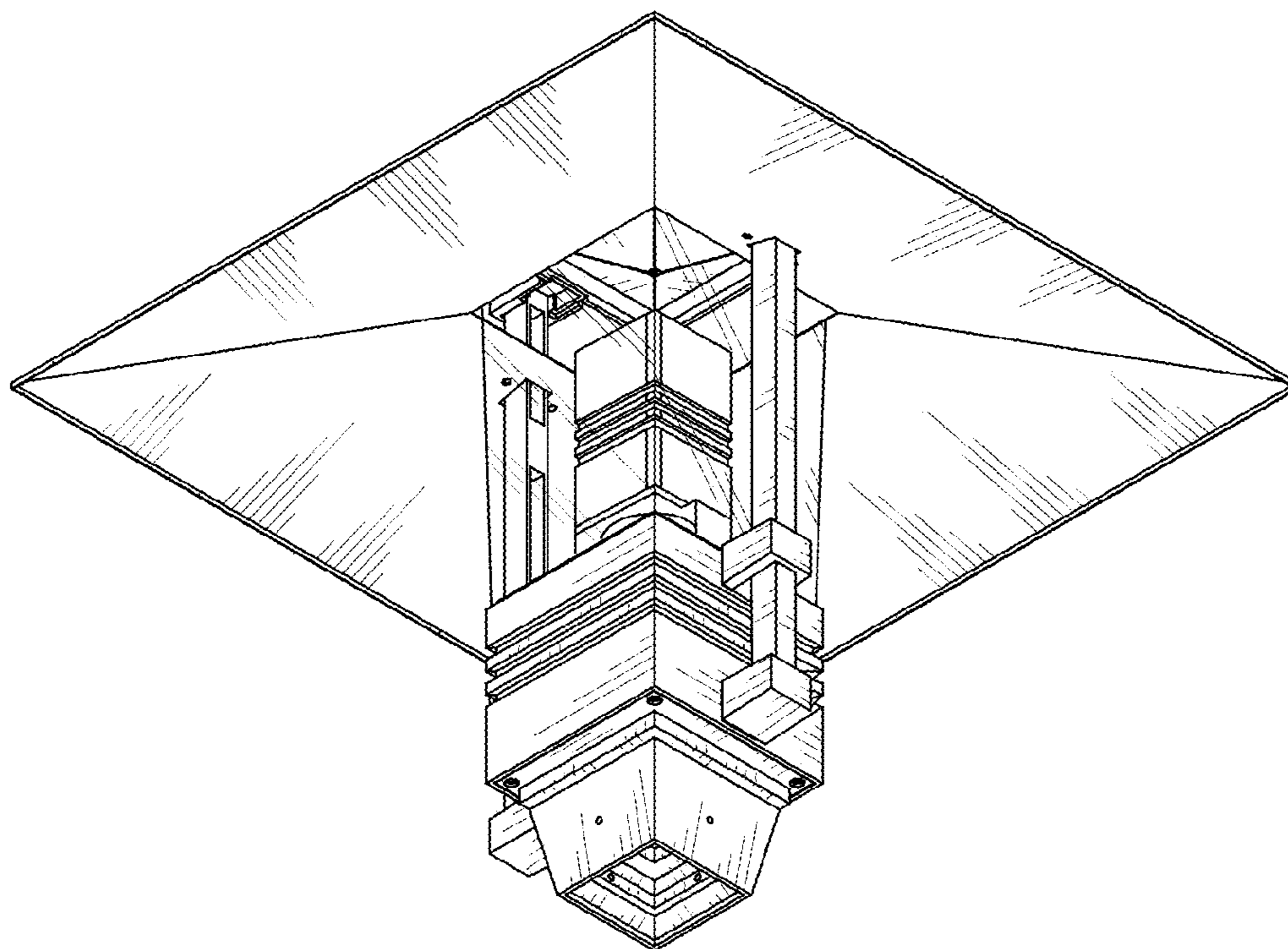


FIG. 6

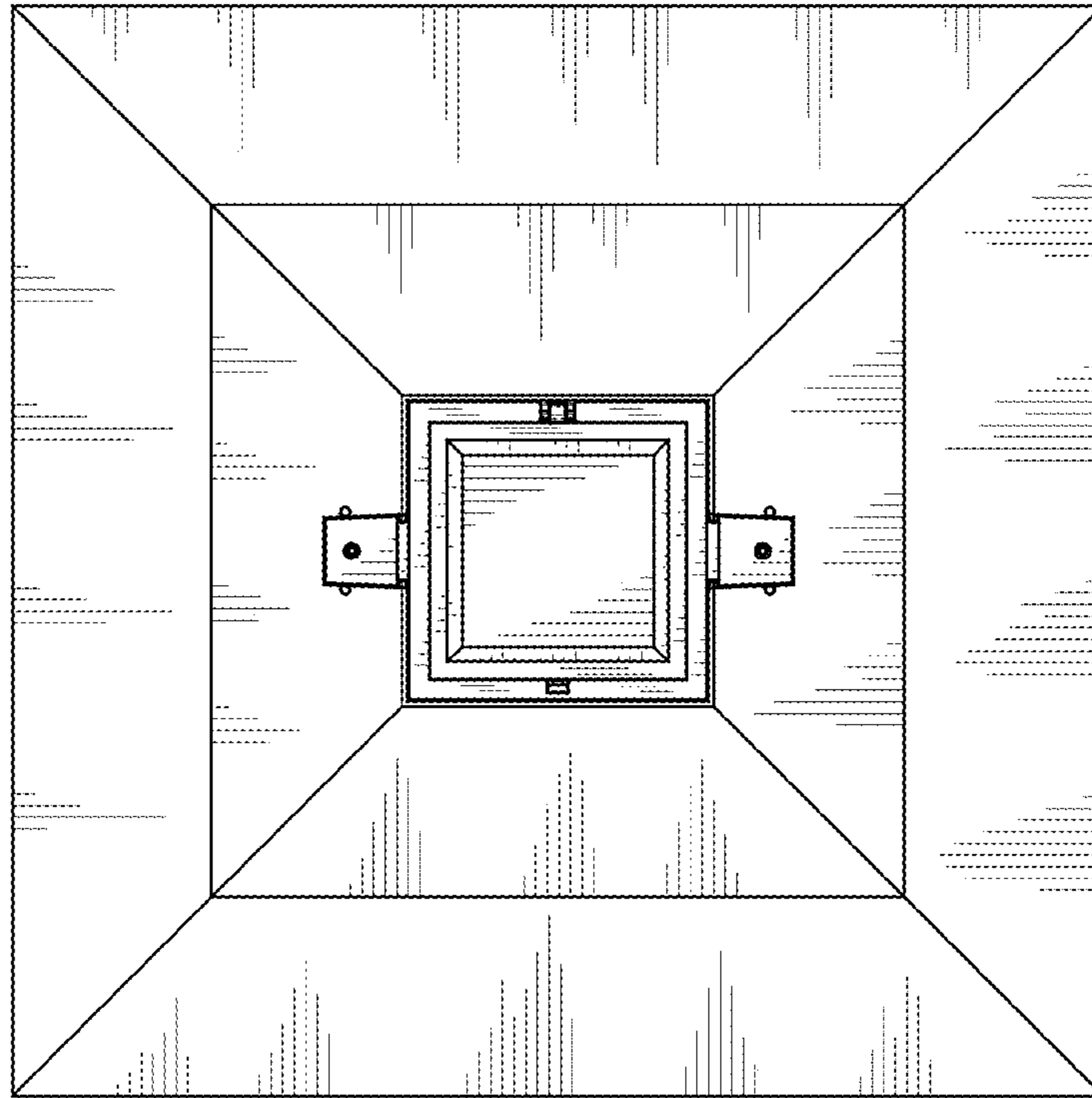


FIG. 7

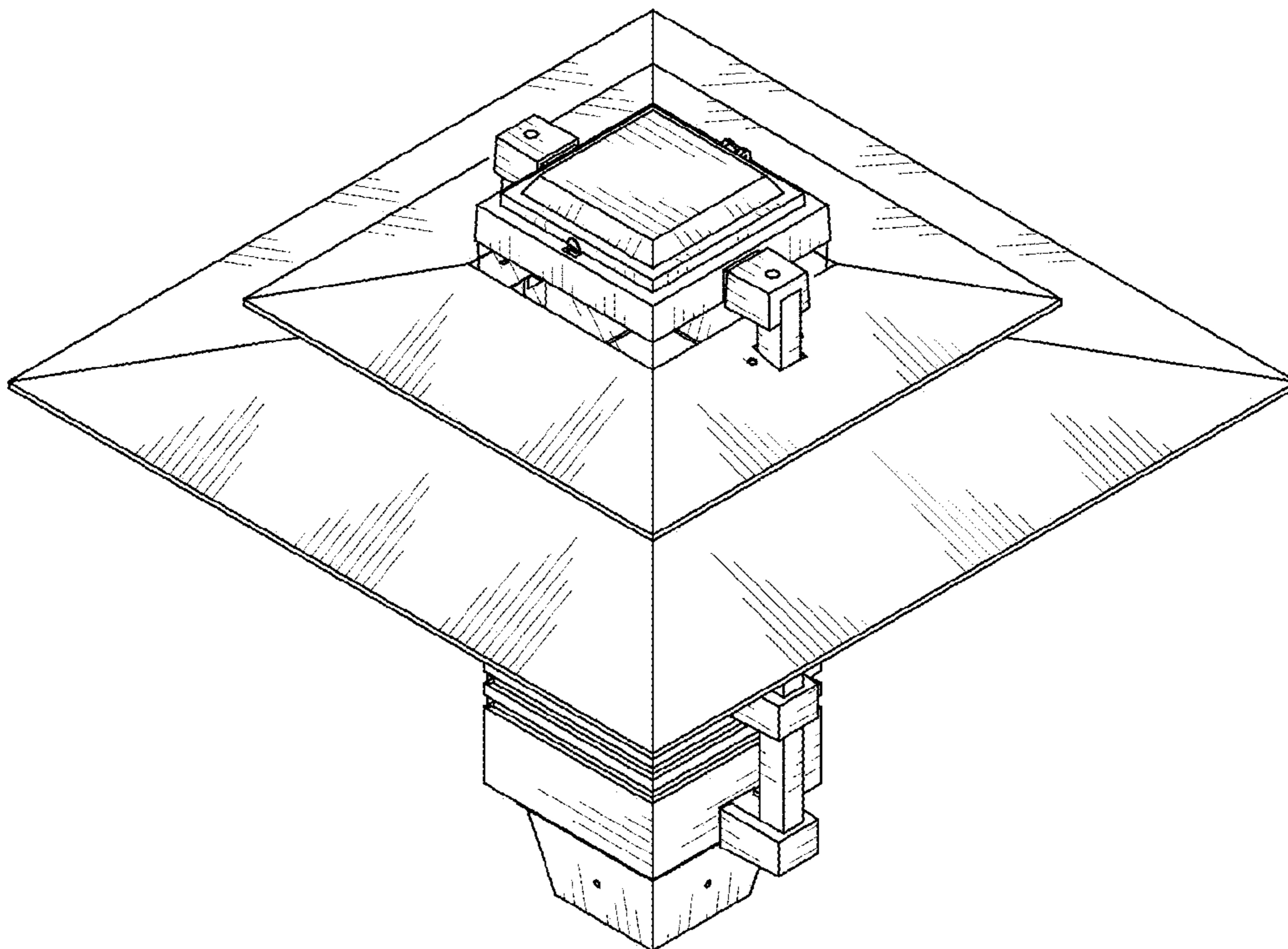


FIG. 8

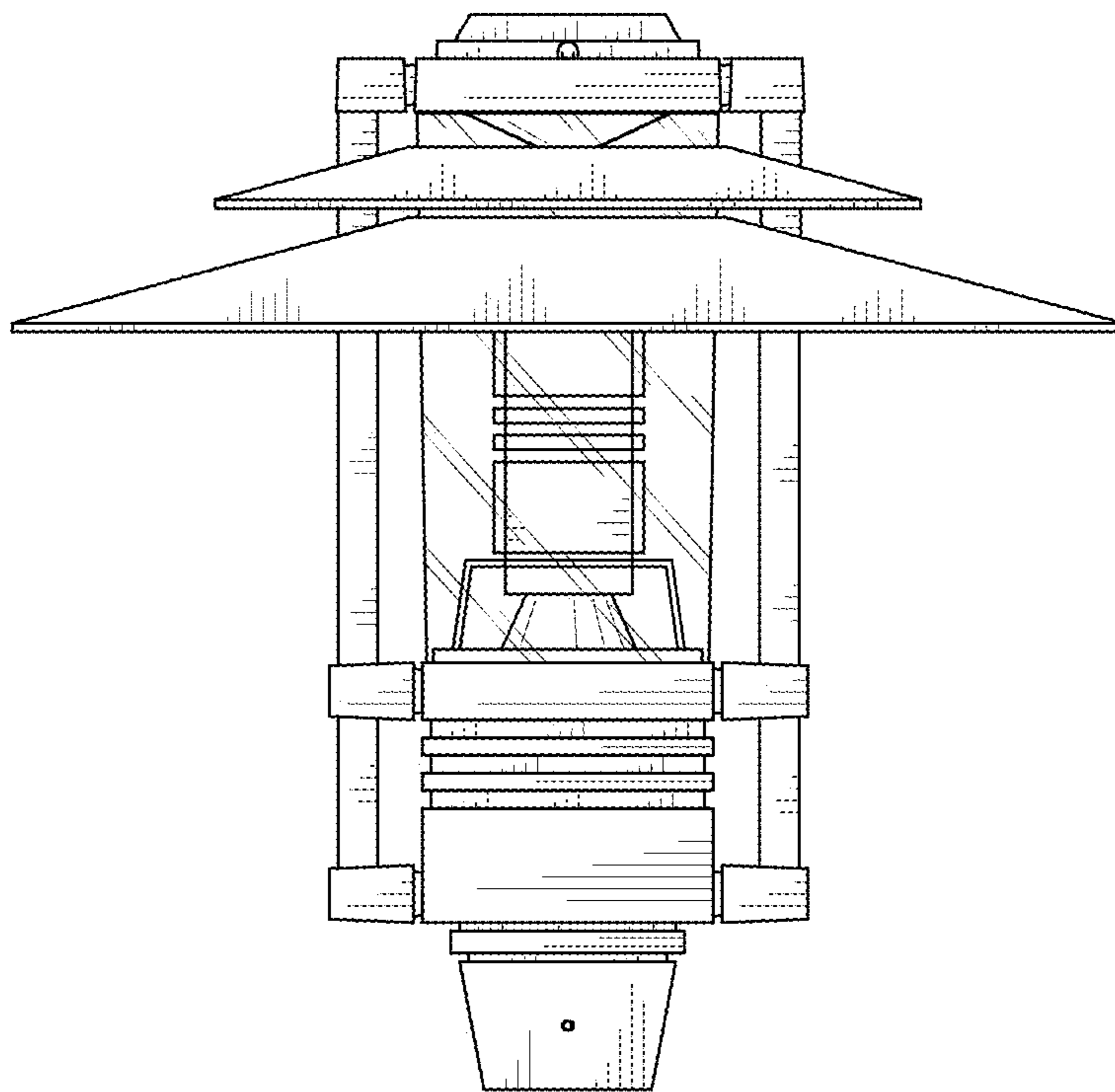


FIG. 9

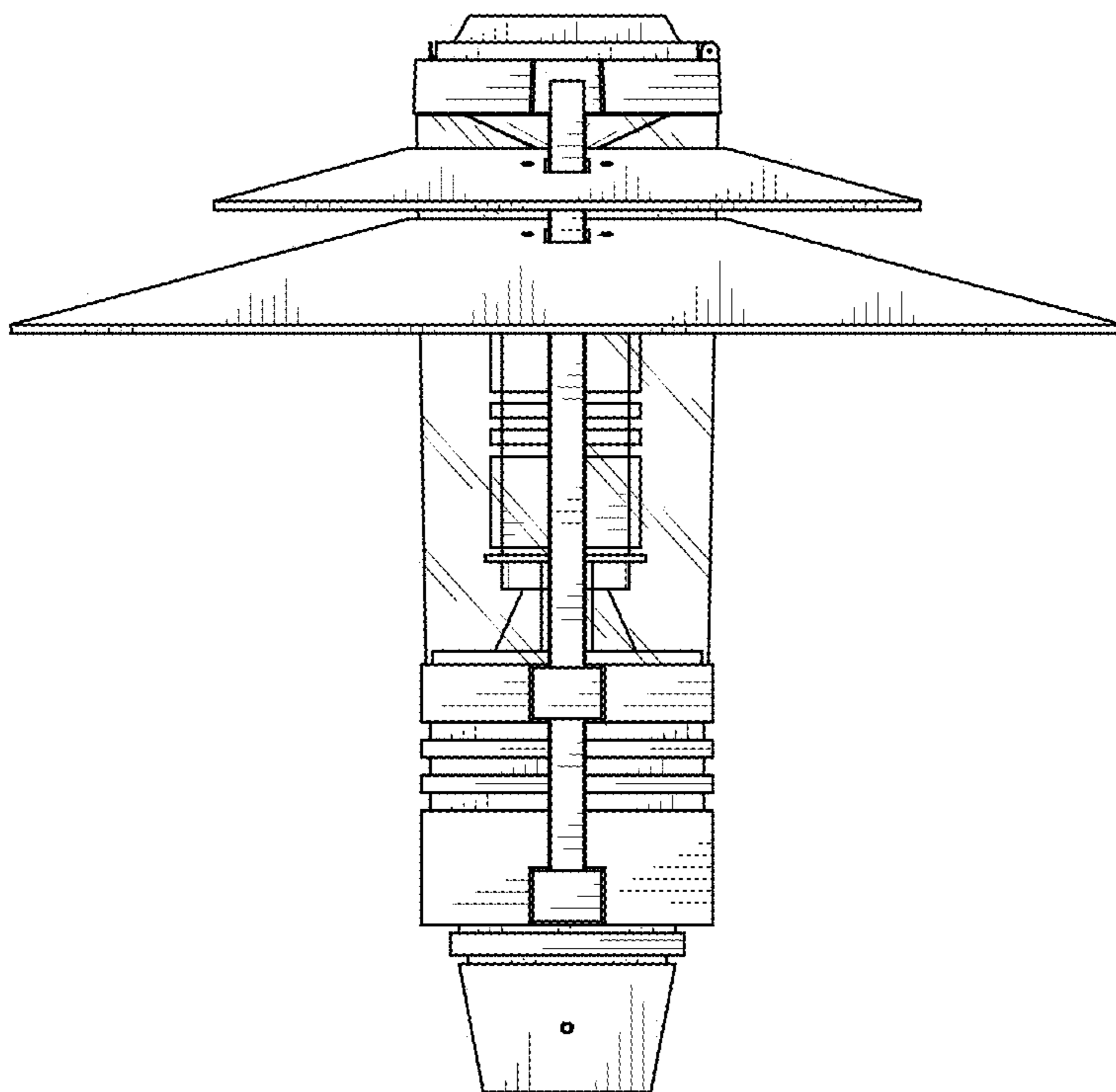


FIG. 10

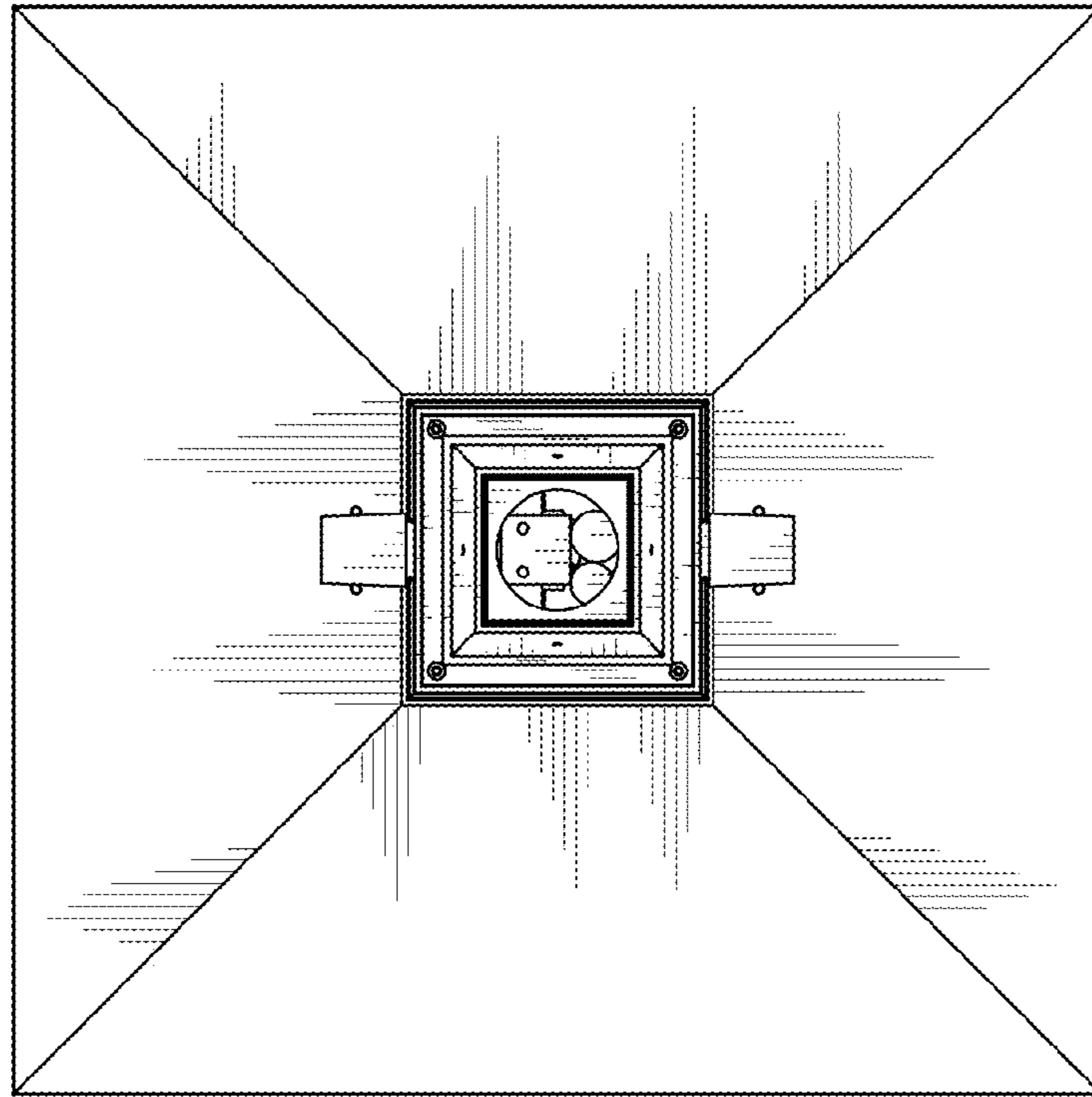


FIG. 11

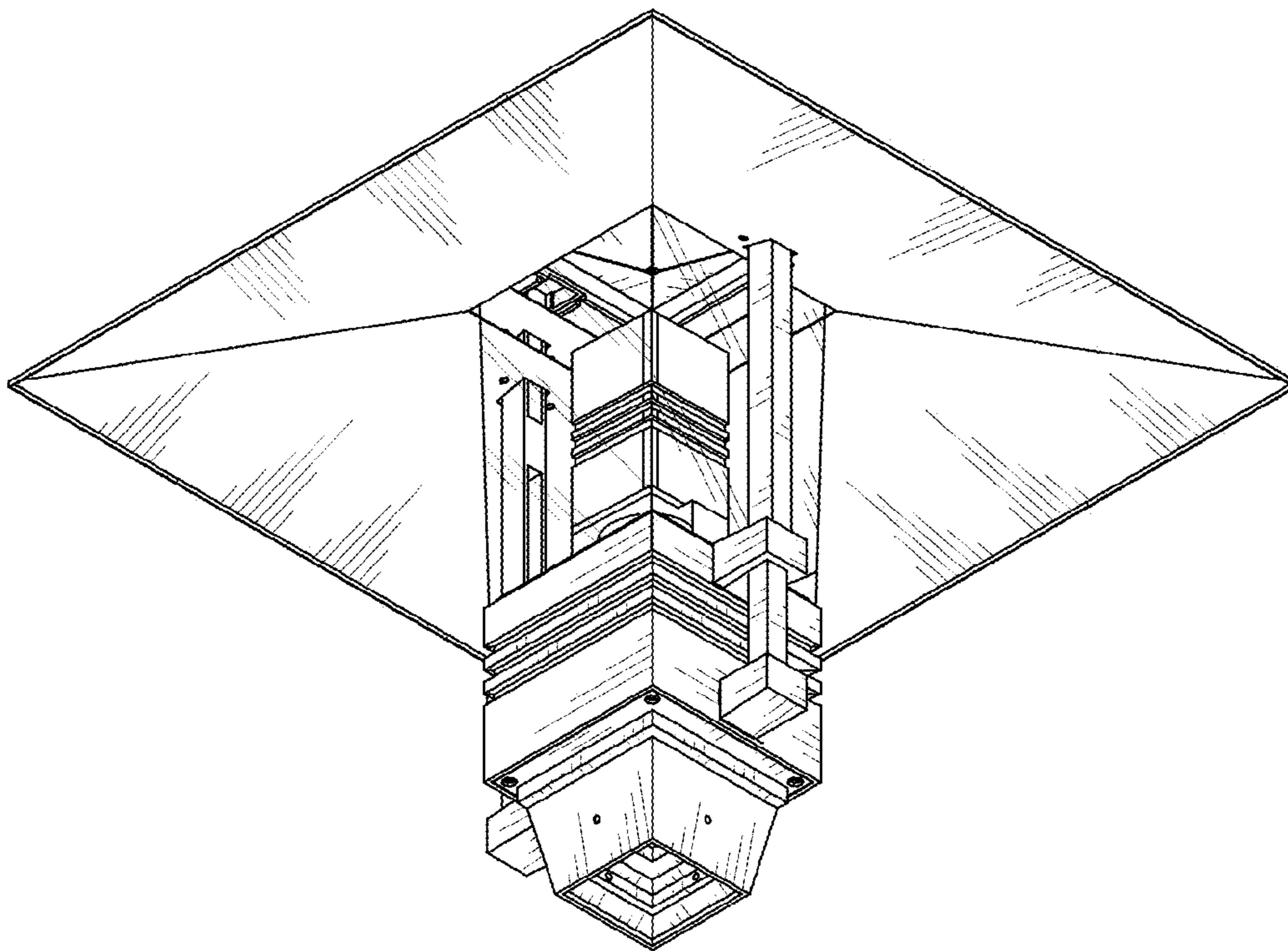


FIG. 12