



US00D952223S

(12) **United States Design Patent**
Chen

(10) **Patent No.:** **US D952,223 S**

(45) **Date of Patent:** **** May 17, 2022**

(54) **TABLE LAMP**

(71) Applicant: **Xiaobo Chen**, Suizhou (CN)

(72) Inventor: **Xiaobo Chen**, Suizhou (CN)

(**) Term: **15 Years**

(21) Appl. No.: **29/769,993**

(22) Filed: **Feb. 9, 2021**

(51) **LOC (13) Cl.** **26-05**

(52) **U.S. Cl.**
USPC **D26/63**; D26/93; D26/102

(58) **Field of Classification Search**
USPC D26/24, 61, 63, 93, 102, 106, 108, 109,
D26/110, 111, 118
CPC F21S 6/00; F21S 6/002; F21S 6/003; F21S
6/006; F21S 10/00; F21V 1/00; F21V
21/02; F21V 21/06; F21W 2131/30
See application file for complete search history.

(56) **References Cited**

U.S. PATENT DOCUMENTS

D75,524 S *	6/1928	Scott	D26/111
D157,735 S *	3/1950	Calissi	D26/102
D337,392 S *	7/1993	Lin	D26/106
D338,981 S *	8/1993	Meck	D26/109
D339,878 S *	9/1993	Yeh	D26/106
D346,672 S *	5/1994	Chan	D26/109
D355,725 S *	2/1995	Roberts, III	D26/109
D360,278 S *	7/1995	Chen	D26/109
D362,316 S *	9/1995	von Kluck	D26/106
D370,071 S *	5/1996	Sonneman	D26/106
D373,843 S *	9/1996	Sonneman	D26/106
D500,568 S *	1/2005	Henry	D26/59
D520,168 S	5/2006	Hodgson		
D590,092 S	4/2009	Starck		
D595,008 S	6/2009	Starck		
D609,392 S *	2/2010	Salatto-Rose	D26/106
D642,322 S *	7/2011	Eusterbrock	D26/106
D642,323 S *	7/2011	Eusterbrock	D26/106

D725,811 S *	3/2015	Quitlet	D26/106
D761,993 S *	7/2016	Kitts	D26/106
D772,472 S *	11/2016	Velez	D26/106
D815,773 S *	4/2018	Ellis	D26/106

(Continued)

OTHER PUBLICATIONS

Franklin Hobie Industrial Table Lamp with Nightlight, Feb. 13, 2017, Amazon.com, site visited Dec. 1, 2021, url: <https://www.amazon.com/dp/B01LQI6L84?th=1> (Year: 2017).*

(Continued)

Primary Examiner — T Chase Nelson

Assistant Examiner — Rachel Wolfe

(57) **CLAIM**

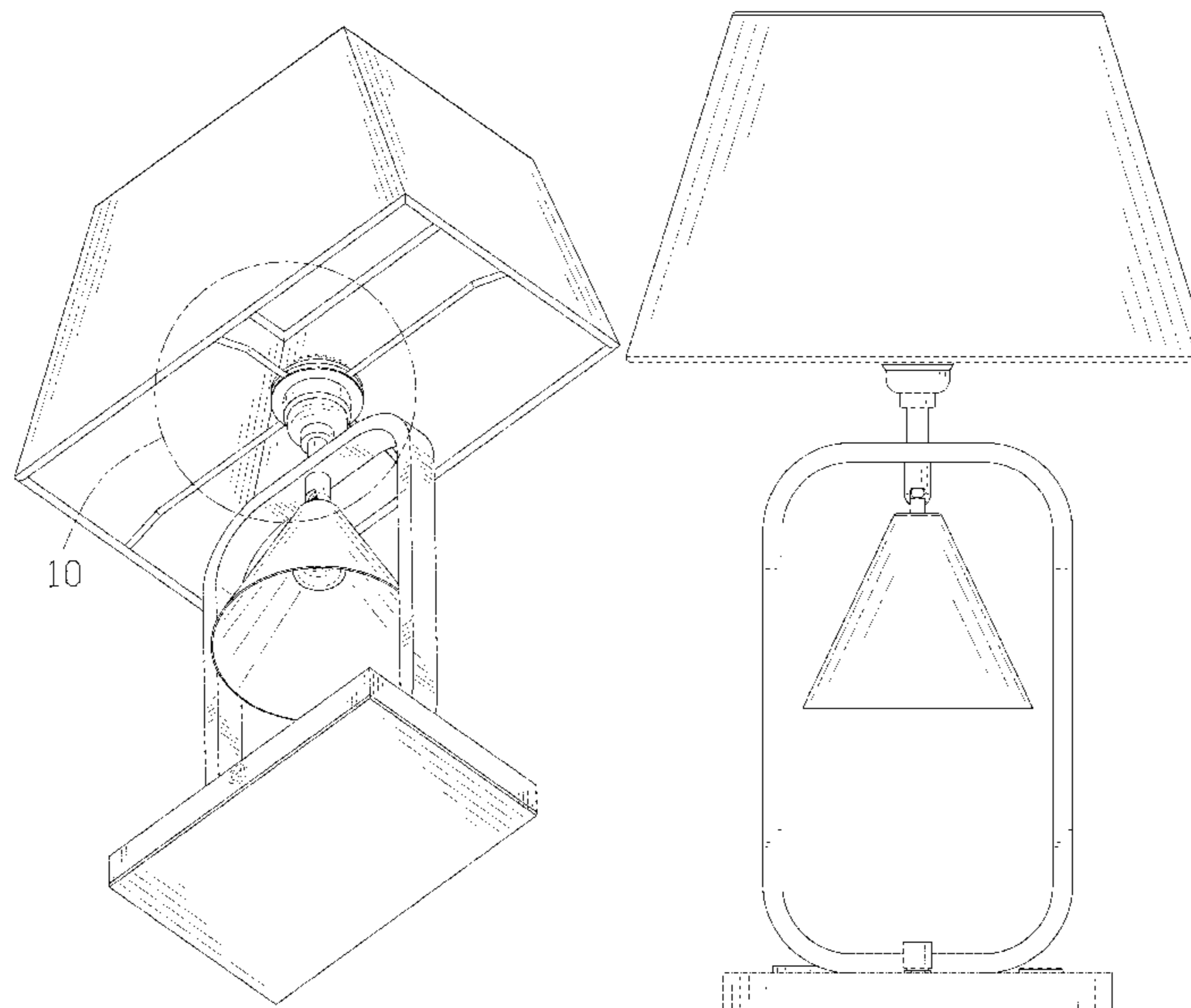
The ornamental design for a table lamp, as shown and described.

DESCRIPTION

FIG. 1 is a first perspective view of a table lamp showing my new design;
FIG. 2 is a second perspective view thereof;
FIG. 3 is a front view thereof;
FIG. 4 is a back view thereof;
FIG. 5 is a left side view thereof;
FIG. 6 is a right side view thereof;
FIG. 7 is a top view thereof;
FIG. 8 is a bottom view thereof;
FIG. 9 is a perspective view of another state of the table lamp thereof; and,
FIG. 10 is an enlarged view of the selected portion in FIG. 2.

The broken lines shown in the drawings depict portions of the table lamp in which the design is embodied that form no part of the claimed design. The broken lines of alternating length in FIGS. 2 and 10 are for the purpose of illustrating the boundaries of the enlarged fragment shown in FIG. 10 and form no part of the claimed design.

1 Claim, 10 Drawing Sheets



(56)

References Cited

U.S. PATENT DOCUMENTS

D819,872 S * 6/2018 Zhou D26/104
D903,930 S * 12/2020 Chen D26/107
D914,956 S * 3/2021 Chen D26/107
D925,098 S * 7/2021 Luo F21V 33/0056
D26/93
D930,887 S * 9/2021 Xie G09F 13/00
D26/107
2018/0245768 A1* 8/2018 Loates G09F 13/00
2018/0356078 A1* 12/2018 Rolf F21V 33/0056

OTHER PUBLICATIONS

Possini Euro Design Deacon Modern Desk Table Lamp, Oct. 20, 2018, Amazon.com, site visited Dec. 1, 2021, url: <https://www.amazon.com/dp/B07JKZQKZ4?th=1> (Year: 2018).*

Brightever Touch Bedside Table Lamps, Jun. 10, 2020, Amazon.com, site visited Dec. 1, 2021, url: <https://www.amazon.com/dp/B089YSYXKW> (Year: 2020).*

Figdifor Bedside Lamps with USB Ports, Aug. 2, 2021, Amazon.com, site visited Dec. 1, 2021, url: <https://www.amazon.com/dp/B09BNB8P8N> (Year: 2021).*

* cited by examiner

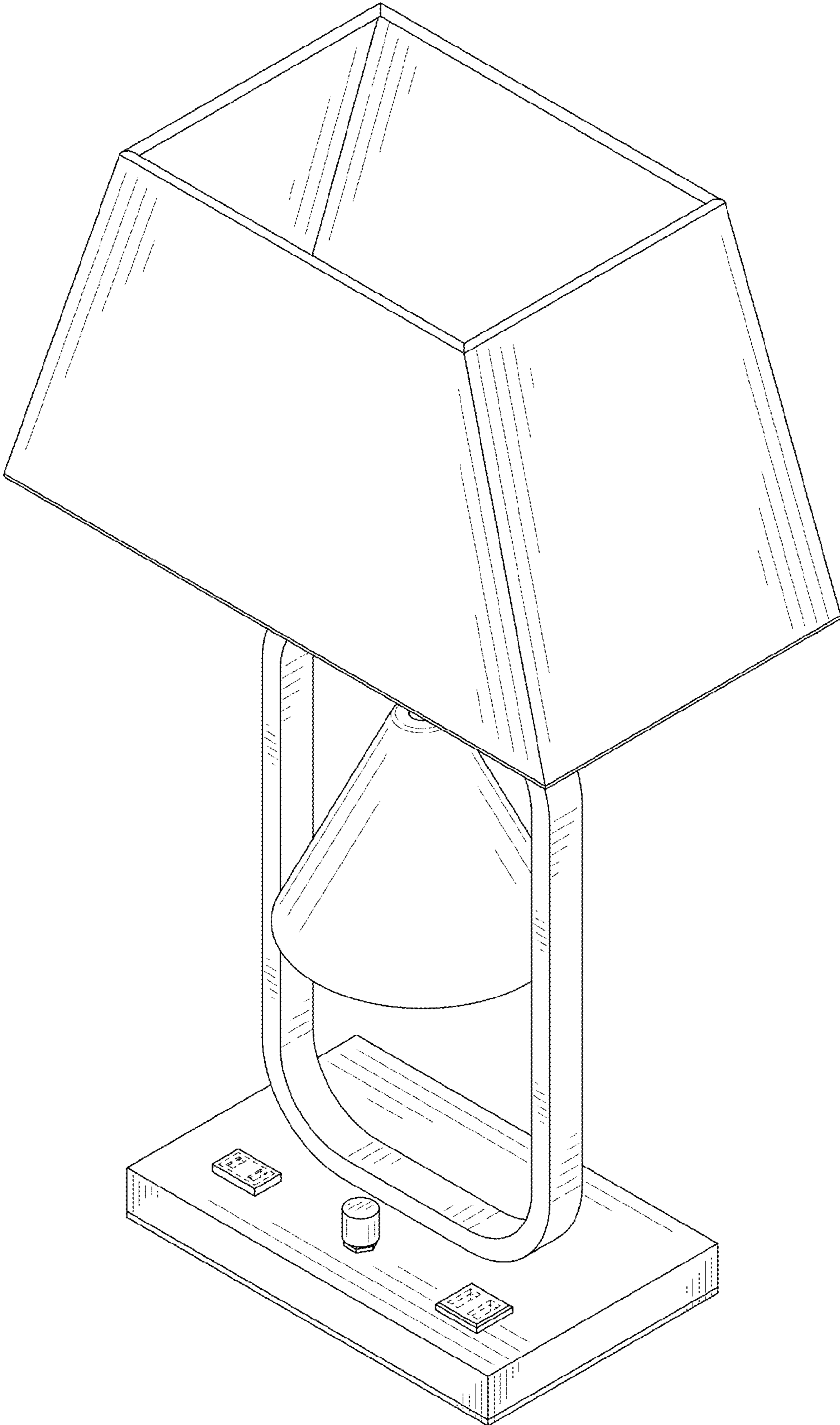


FIG. 1

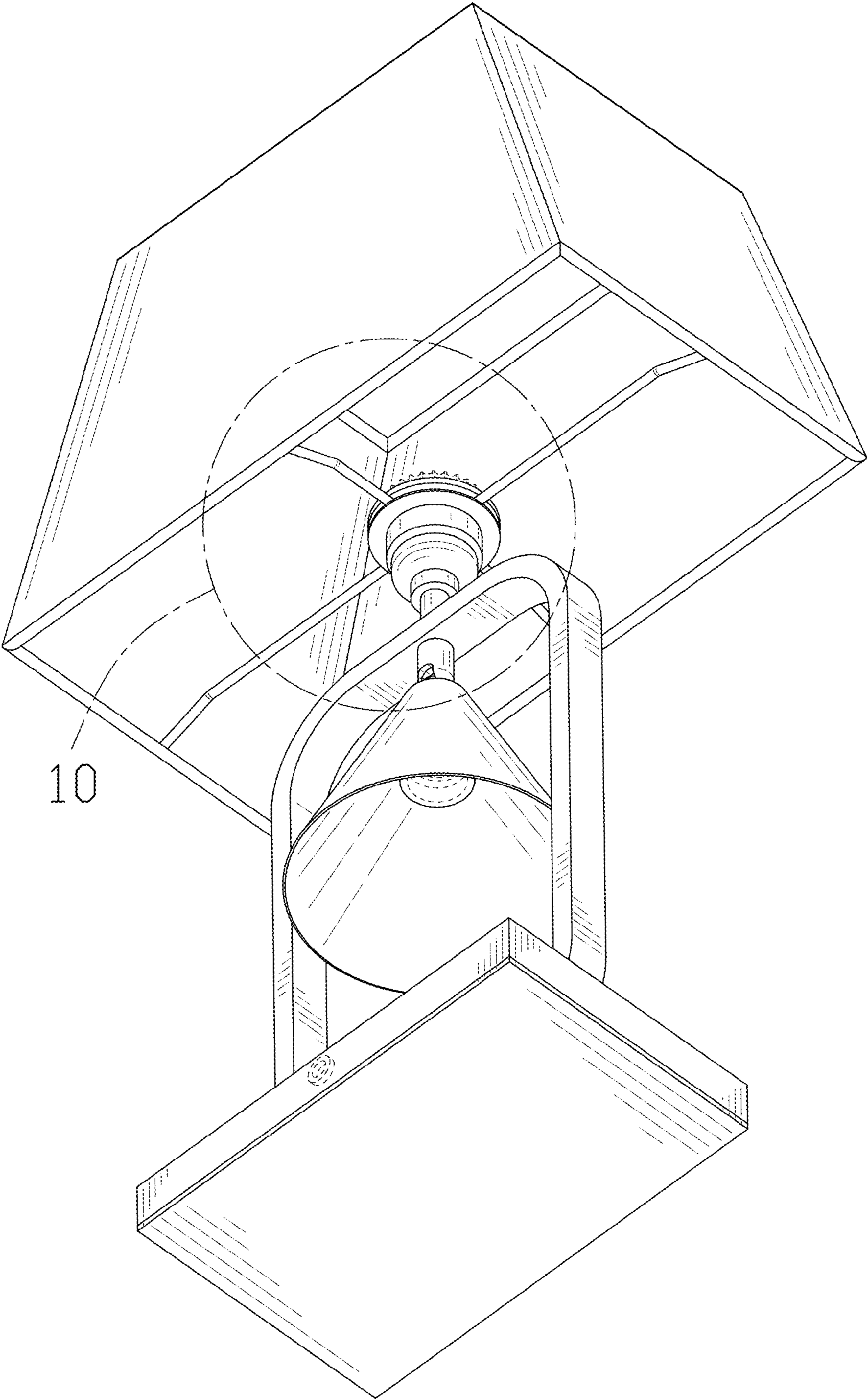


FIG. 2

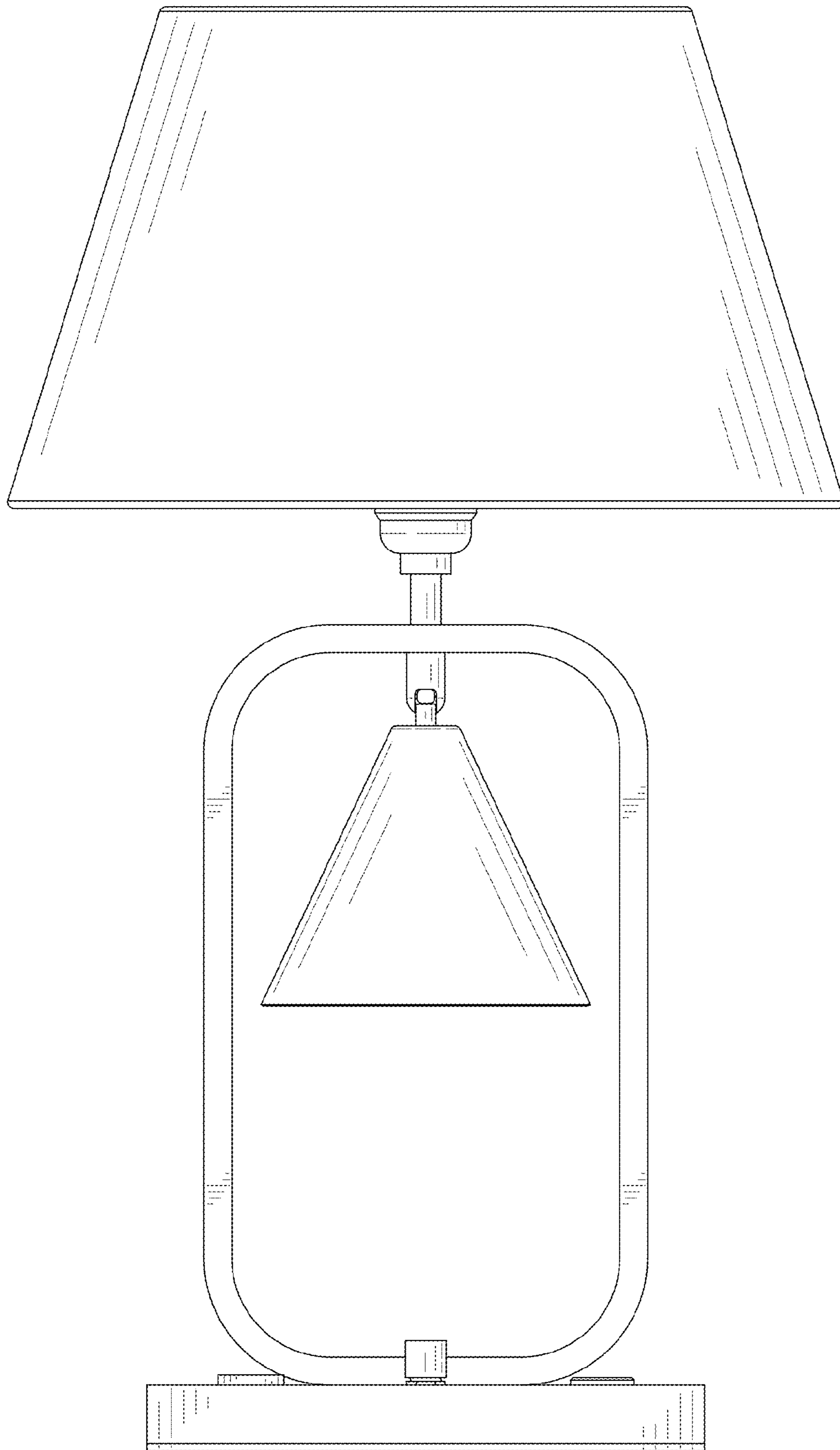


FIG. 3

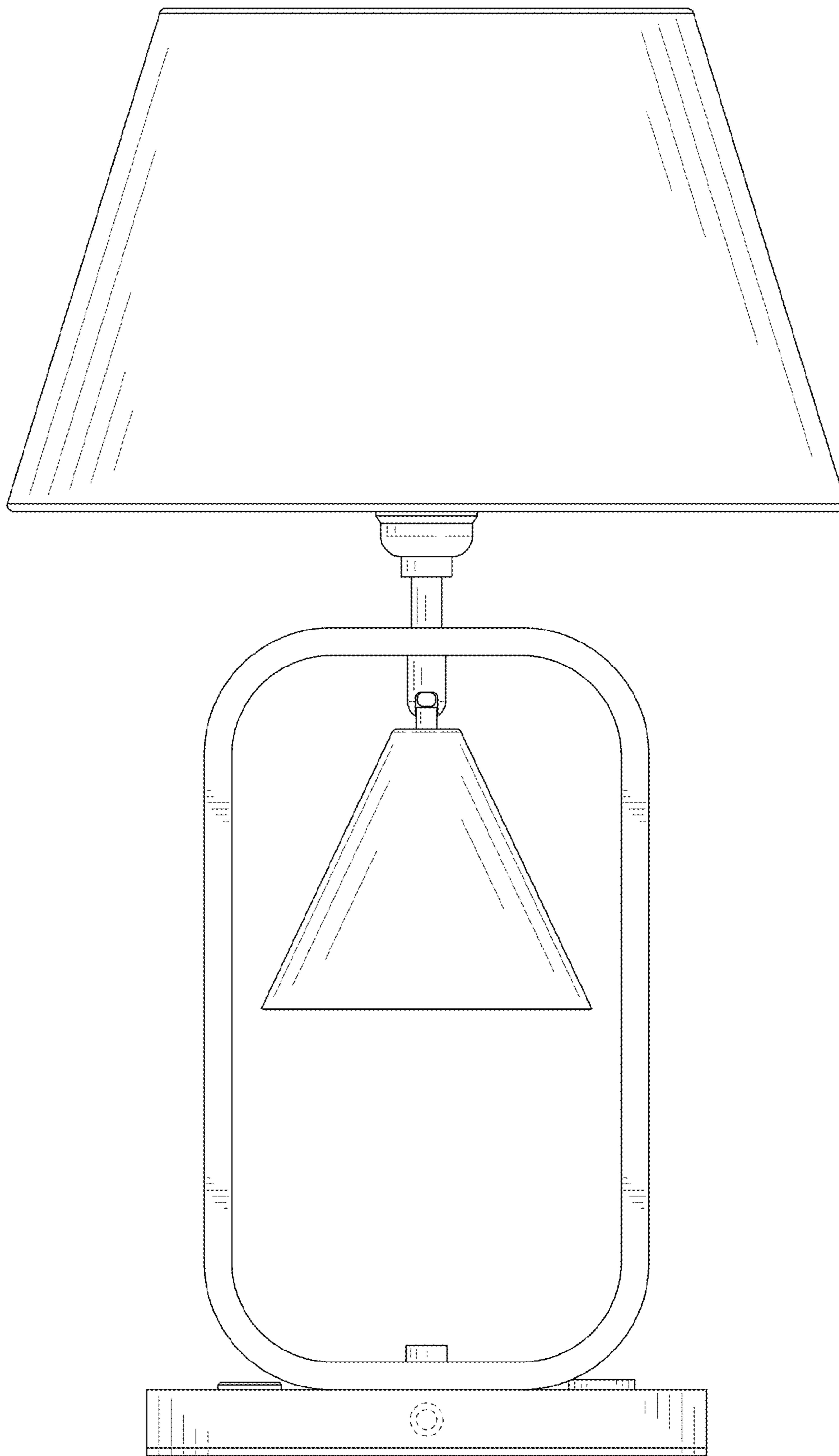


FIG. 4

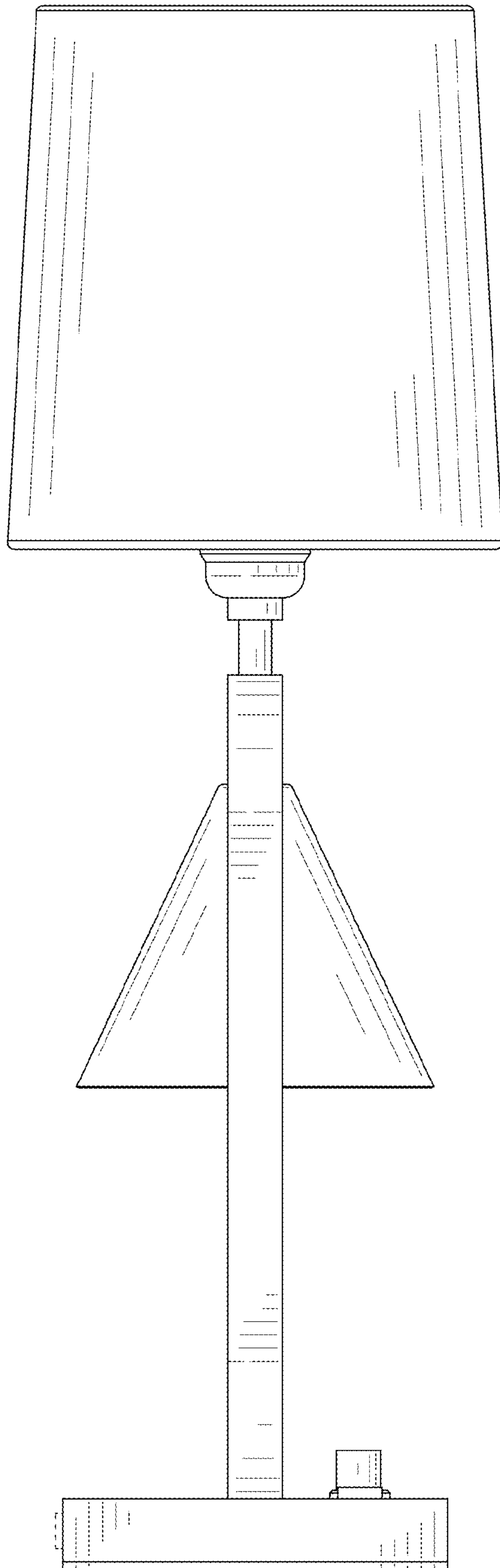


FIG. 5

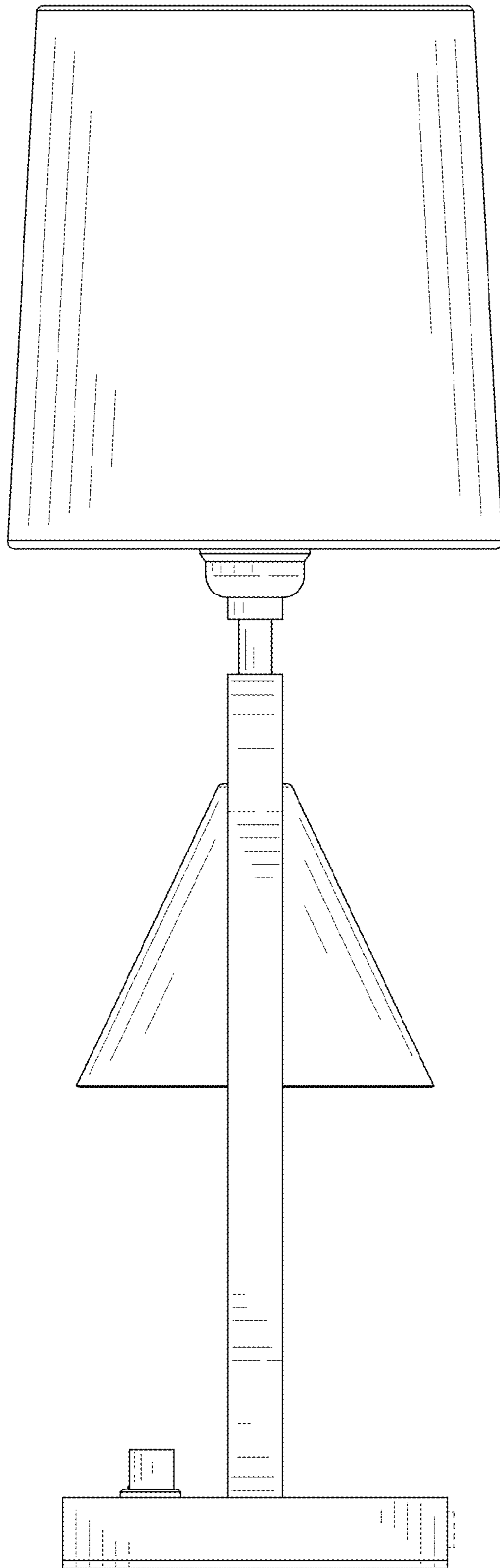


FIG. 6

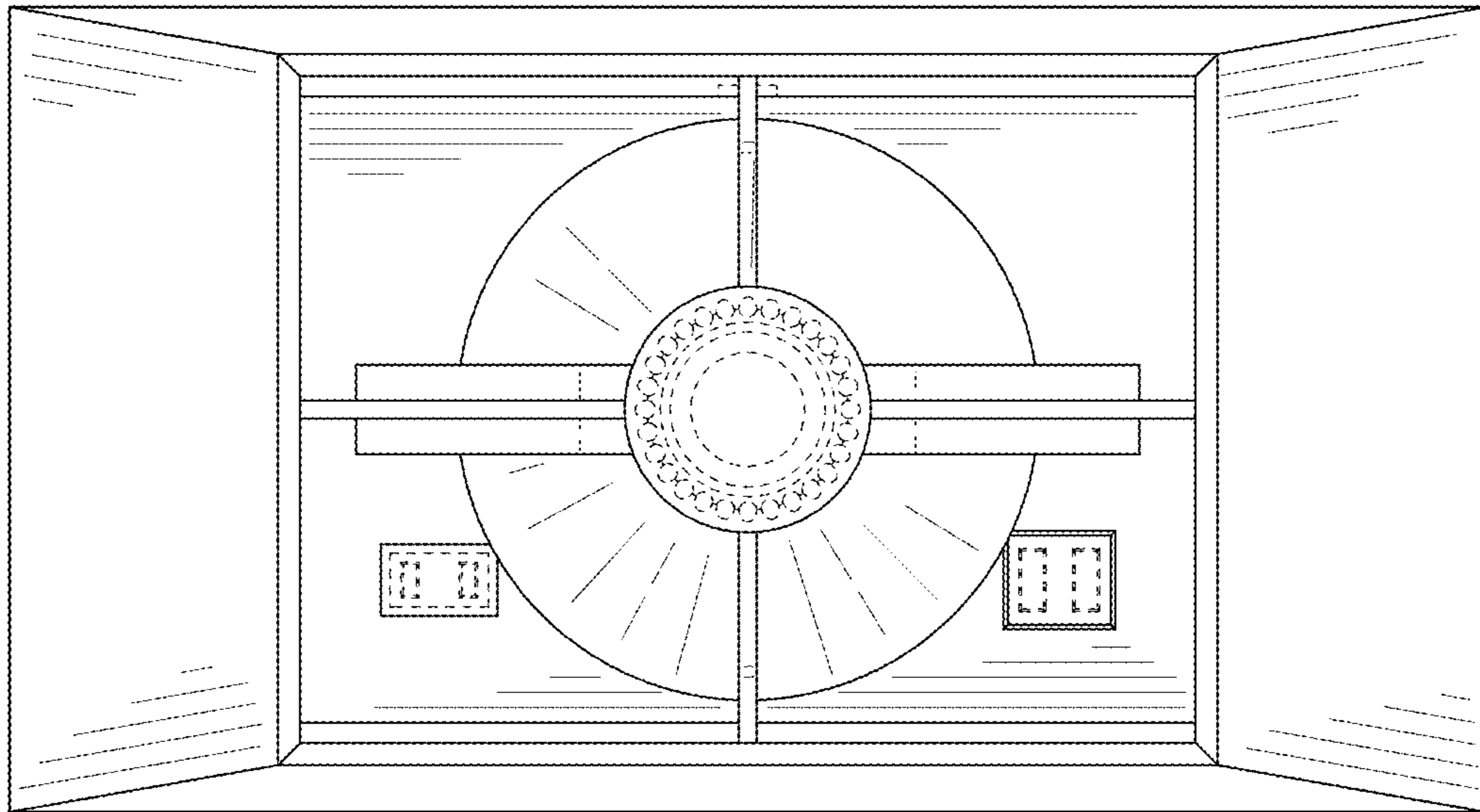


FIG. 7

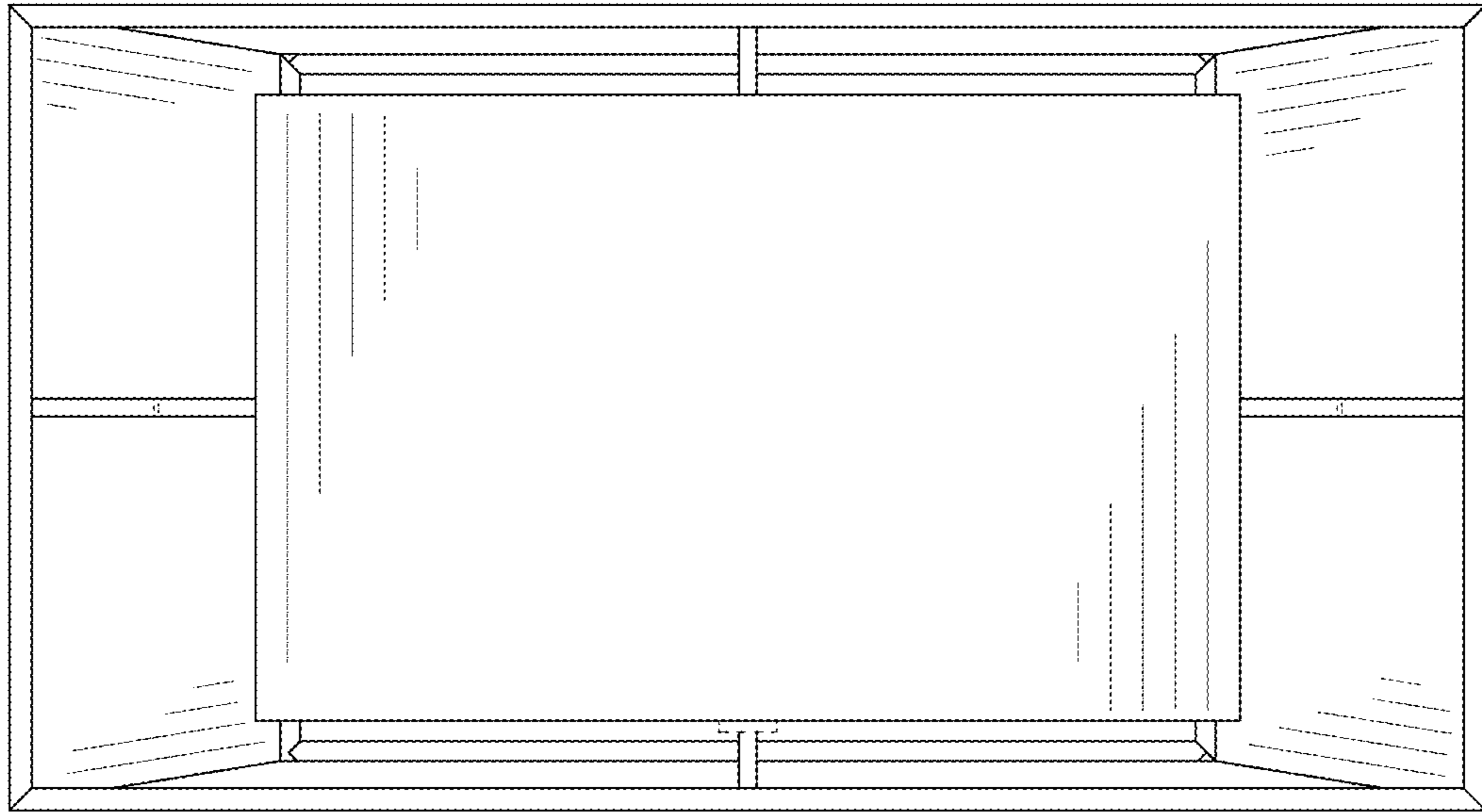


FIG. 8

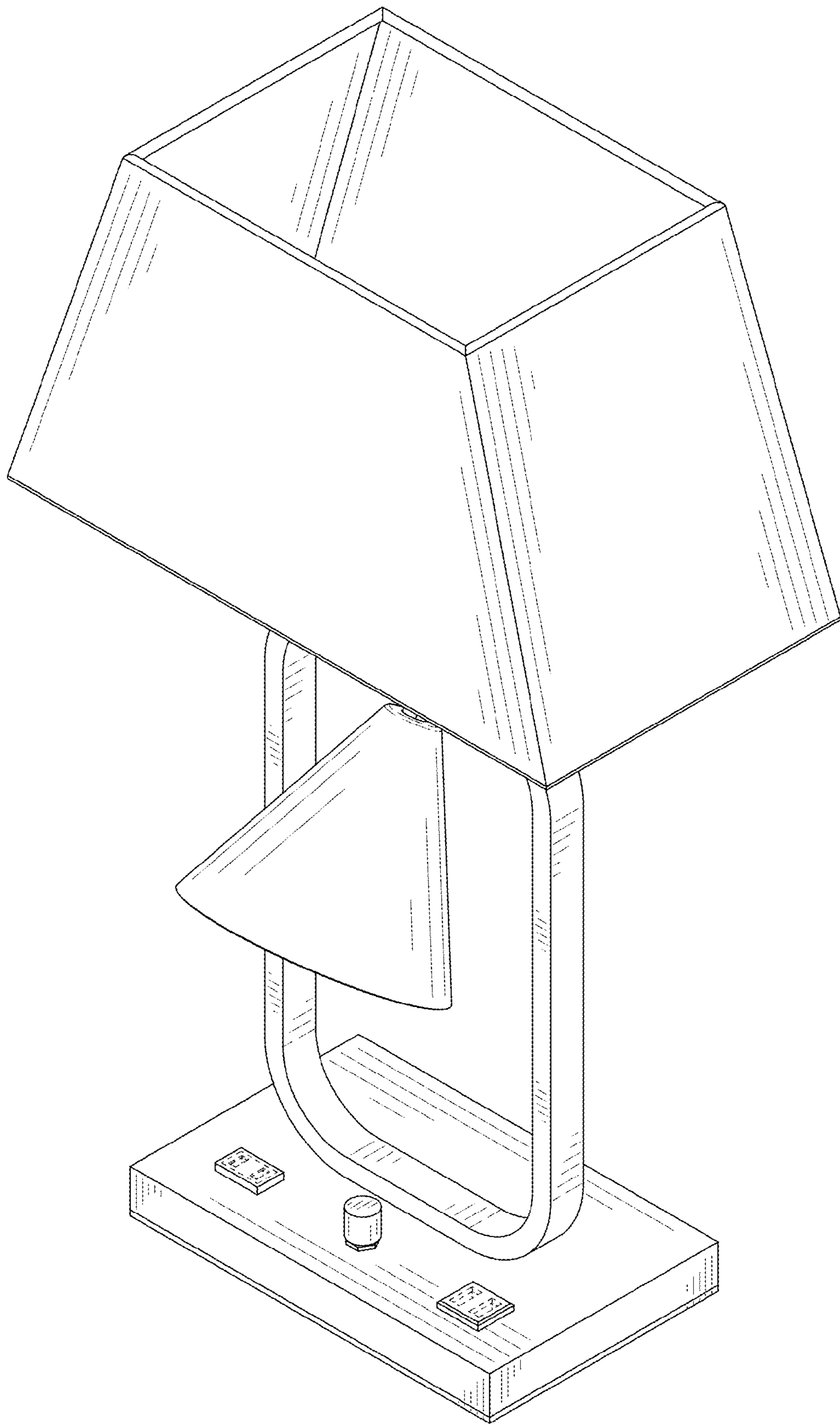


FIG. 9

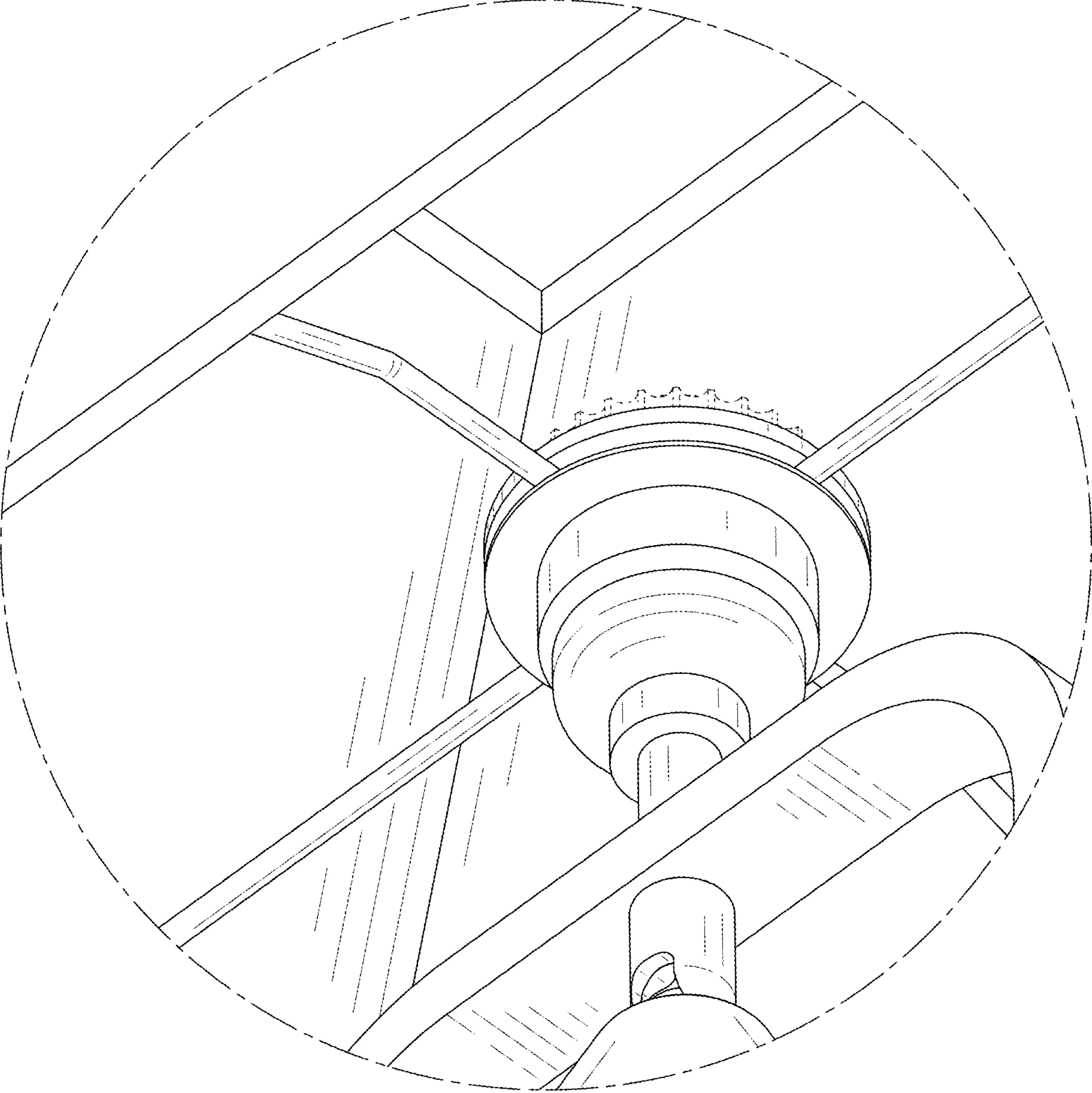


FIG. 10