

US00D952222S

(12) **United States Design Patent**
Shen

(10) **Patent No.:** **US D952,222 S**

(45) **Date of Patent:** **** May 17, 2022**

(54) **GARAGE LIGHT**

(71) Applicant: **Shenzhen Wuyun E-commerce Co., Ltd.**, Shenzhen (CN)

(72) Inventor: **Linbin Shen**, Shenzhen (CN)

(**) Term: **15 Years**

(21) Appl. No.: **29/765,244**

(22) Filed: **Jan. 7, 2021**

(51) **LOC (13) Cl.** **26-05**

(52) **U.S. Cl.**
USPC **D26/63; D26/2**

(58) **Field of Classification Search**
USPC ... D26/24, 61, 63, 65, 2, 67, 70, 72, 81, 83,
D26/92

CPC .. F21S 6/003; F21S 8/036; F21S 8/038; F21S
8/043; F21S 8/081; F21S 8/083; F21S
8/085; F21S 8/086; F21S 8/088; F21S
9/03; F21S 9/035; F21S 9/037; F21S
10/063; F21S 13/10

See application file for complete search history.

(56) **References Cited**

U.S. PATENT DOCUMENTS

D578,695 S *	10/2008	Zheng	D26/70
D578,696 S *	10/2008	Wang	D26/70
D714,484 S *	9/2014	Barnes	D26/72
D751,240 S *	3/2016	Wilcox	D26/118
D858,862 S *	9/2019	Galloppa	D26/113
D861,926 S *	10/2019	Lin	D26/2
D870,943 S *	12/2019	Kuang	D26/65
D879,334 S *	3/2020	Lin	D26/2
D879,335 S *	3/2020	Lin	D26/2
D879,349 S *	3/2020	Li	D26/63
D881,421 S *	4/2020	Yin	D26/2
D882,127 S *	4/2020	Cao	D26/2
D882,851 S *	4/2020	Deng	D26/63
D883,550 S *	5/2020	Deng	D26/63
D884,244 S *	5/2020	Wang	D26/63
D884,952 S	5/2020	Cao	

D885,629 S	5/2020	Liu	
D885,630 S	5/2020	Lin	
D886,353 S *	6/2020	Du D26/63
D887,610 S *	6/2020	Wei D26/63

(Continued)

OTHER PUBLICATIONS

Gezee LED Garage Light, Dec. 22, 2019, Amazon, site visited Nov. 8, 2021, url: <https://www.amazon.com/dp/B082ZF7MS6> (Year: 2019).*

(Continued)

Primary Examiner — T Chase Nelson

Assistant Examiner — Rachel Wolfe

(57) **CLAIM**

The ornamental design for a garage light, as shown and described.

DESCRIPTION

FIG. 1 is a first perspective view of a garage light showing my new design;

FIG. 2 is a second perspective view thereof;

FIG. 3 is a front view thereof;

FIG. 4 is a back view thereof;

FIG. 5 is a left side view thereof;

FIG. 6 is a right side view thereof;

FIG. 7 is a top view thereof;

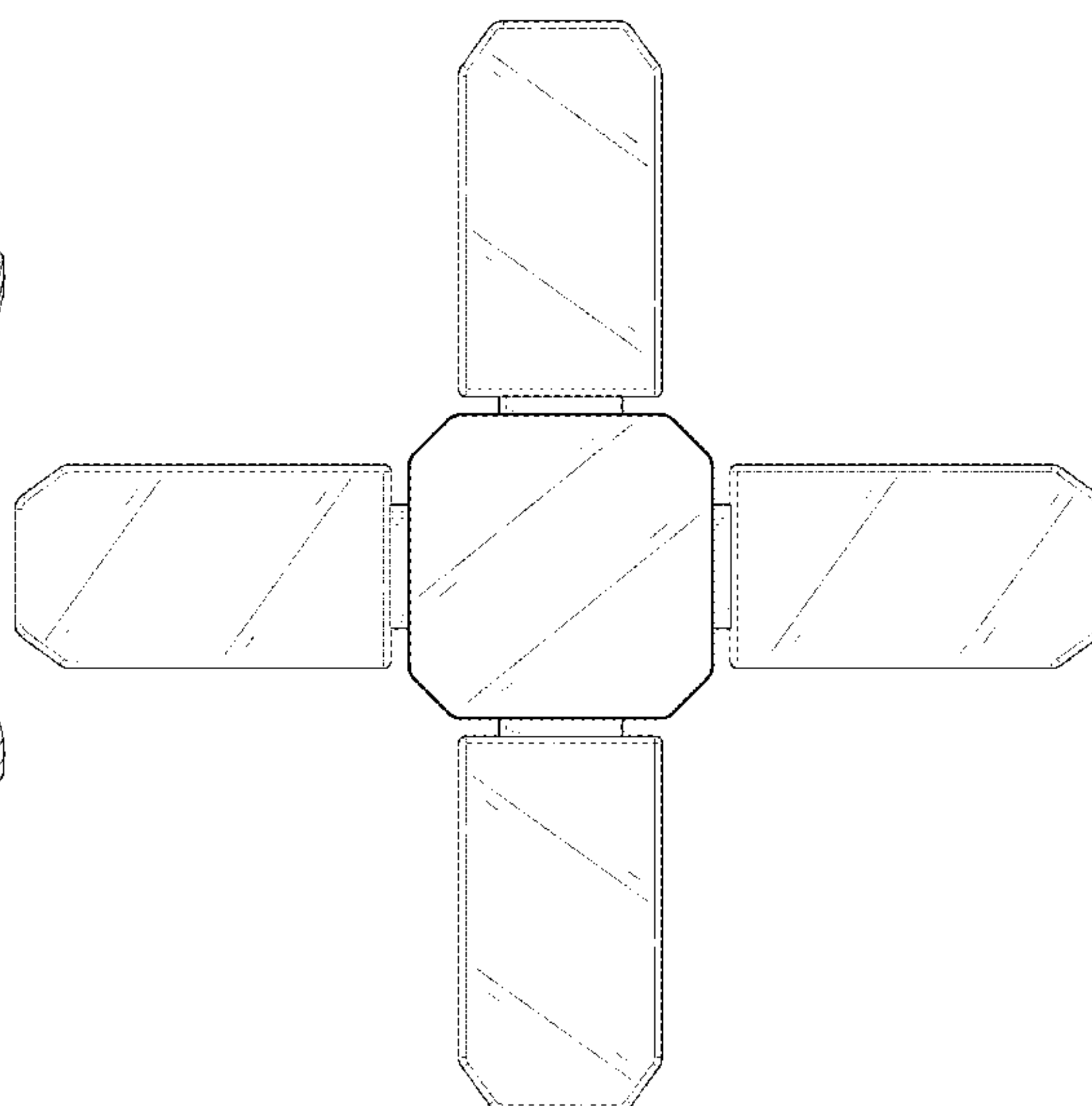
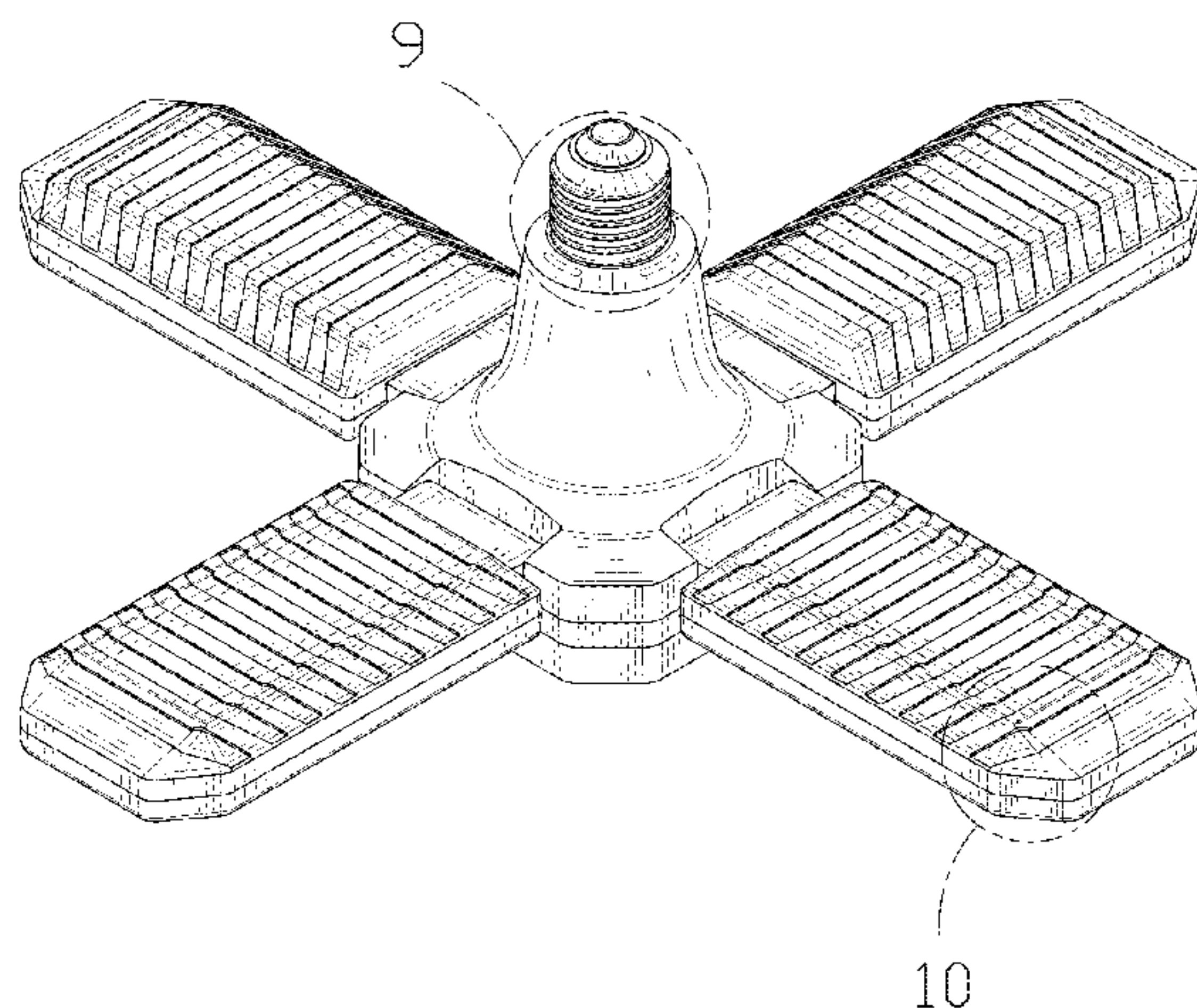
FIG. 8 is a bottom view thereof;

FIG. 9 is an enlarged view of the selected portion 9 in FIG. 1; and,

FIG. 10 is an enlarged view of the selected portion 10 in FIG. 1.

The broken lines shown in the drawings depict portions of the garage light in which the design is embodied that form no part of the claimed design. The broken lines of alternating length are for the purpose of illustrating the boundaries of the enlarged fragments shown in FIGS. 9 and 10 and form no part of the claimed design.

1 Claim, 10 Drawing Sheets



(56)

References Cited

U.S. PATENT DOCUMENTS

D889,015 S * 6/2020 Li D26/63
D895,170 S * 9/2020 Zhang D26/2
D907,257 S * 1/2021 Shalvi D26/2
D908,250 S * 1/2021 Xu D26/2
D908,941 S * 1/2021 Cai D26/63
D909,648 S * 2/2021 Xu D26/63
D912,869 S * 3/2021 Lin D26/63
D916,347 S * 4/2021 Liu D26/63
D919,154 S * 5/2021 Zhou D26/63
D919,869 S * 5/2021 Yang D26/63
D919,870 S * 5/2021 Li D26/63
D923,228 S * 6/2021 Ye D26/63
D925,086 S * 7/2021 Ma D26/63
2005/0099810 A1 * 5/2005 Tasson F21K 9/65
362/249.07
2009/0237927 A1 * 9/2009 Zheng F21V 29/71
362/235
2009/0267525 A1 * 10/2009 Zheng F21V 23/0442
315/159

OTHER PUBLICATIONS

Tuxx Reviews 120W Garage Light, Aug. 21, 2020, YouTube, site visited Nov. 8, 2021, url: <https://www.youtube.com/watch?v=rq8Yg7GfdBo> (Year: 2020).*

YiaMia 6000 Lumen, 60W LED Basement Garage Shop Deformable Light, Jan. 12, 2020, YouTube, site visited Nov. 8, 2021, url: <https://www.youtube.com/watch?v=nocLV34Uqtw> (Year: 2020).*

* cited by examiner

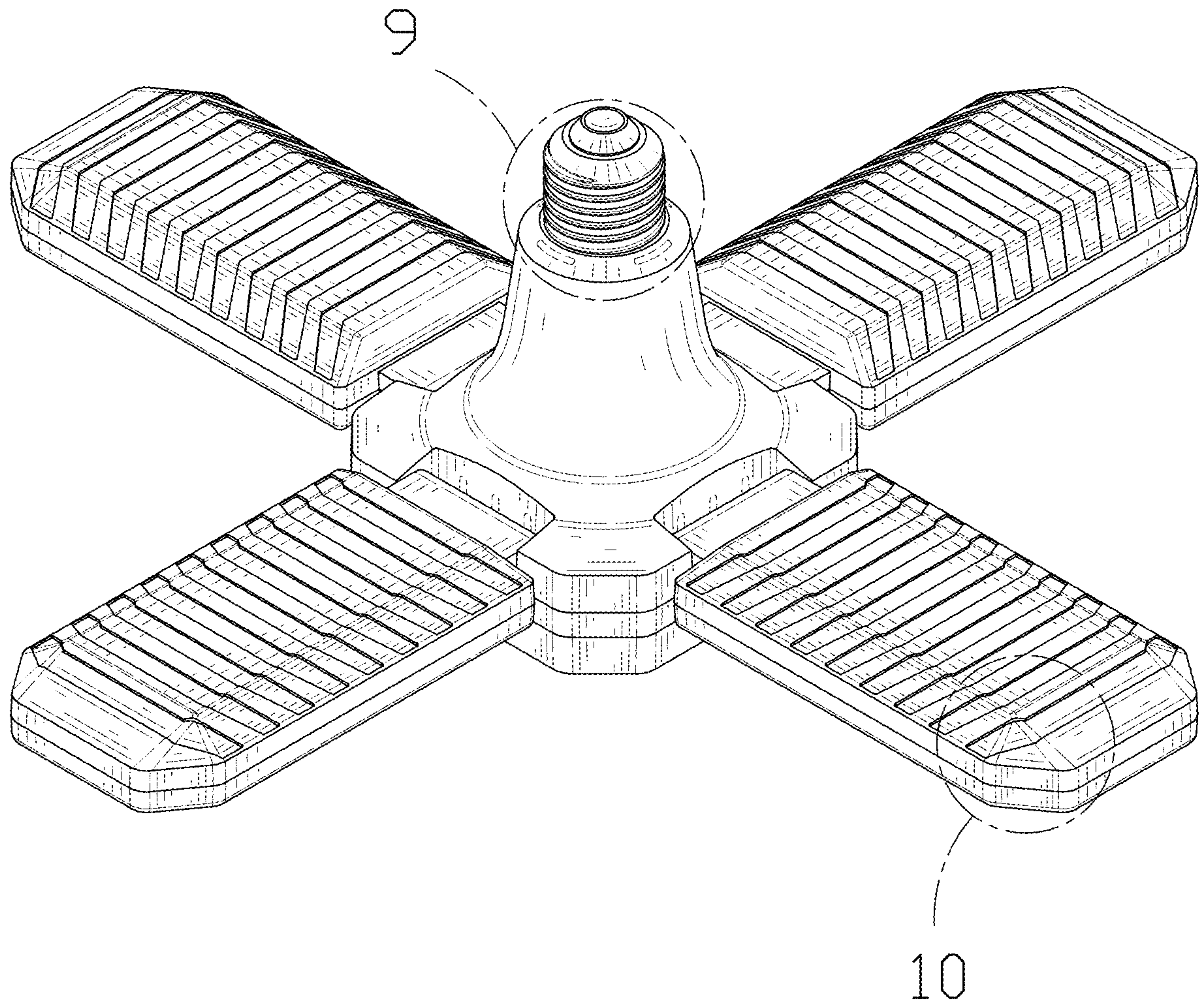


FIG. 1

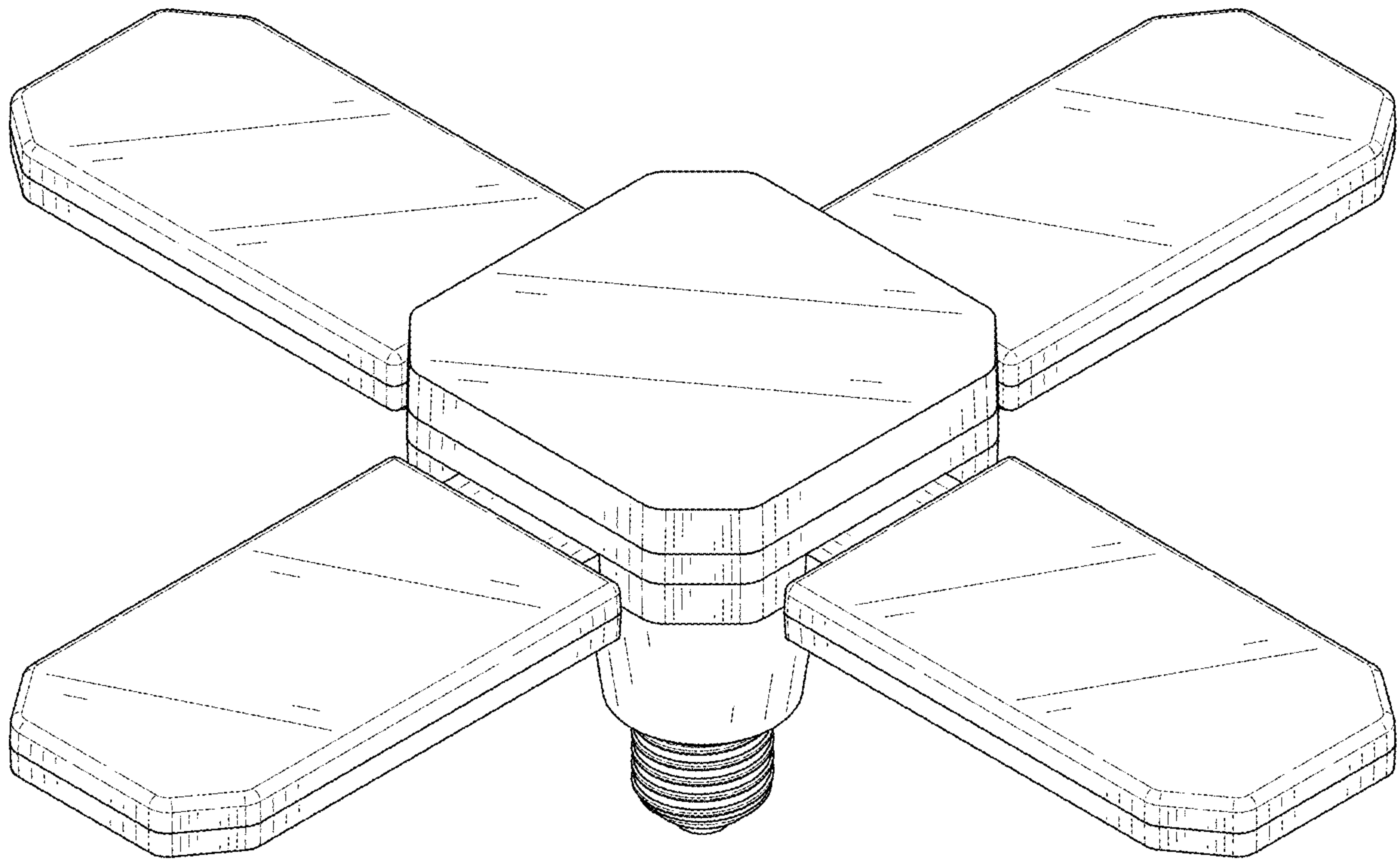


FIG. 2

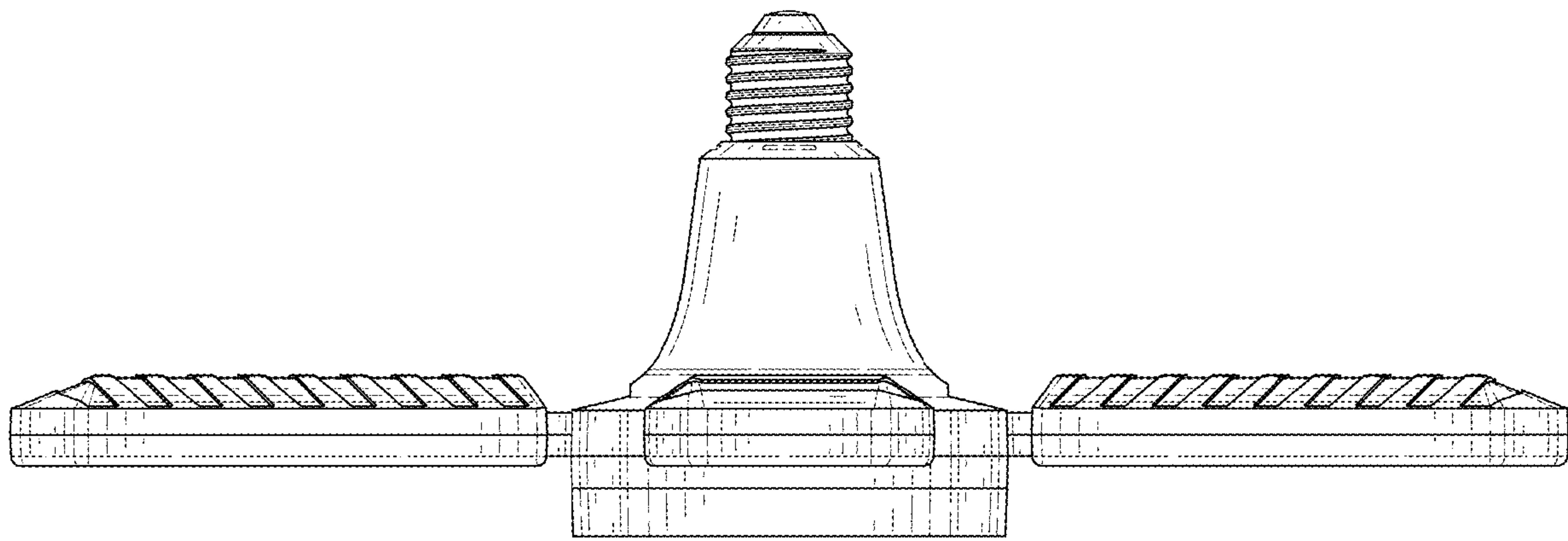


FIG. 3

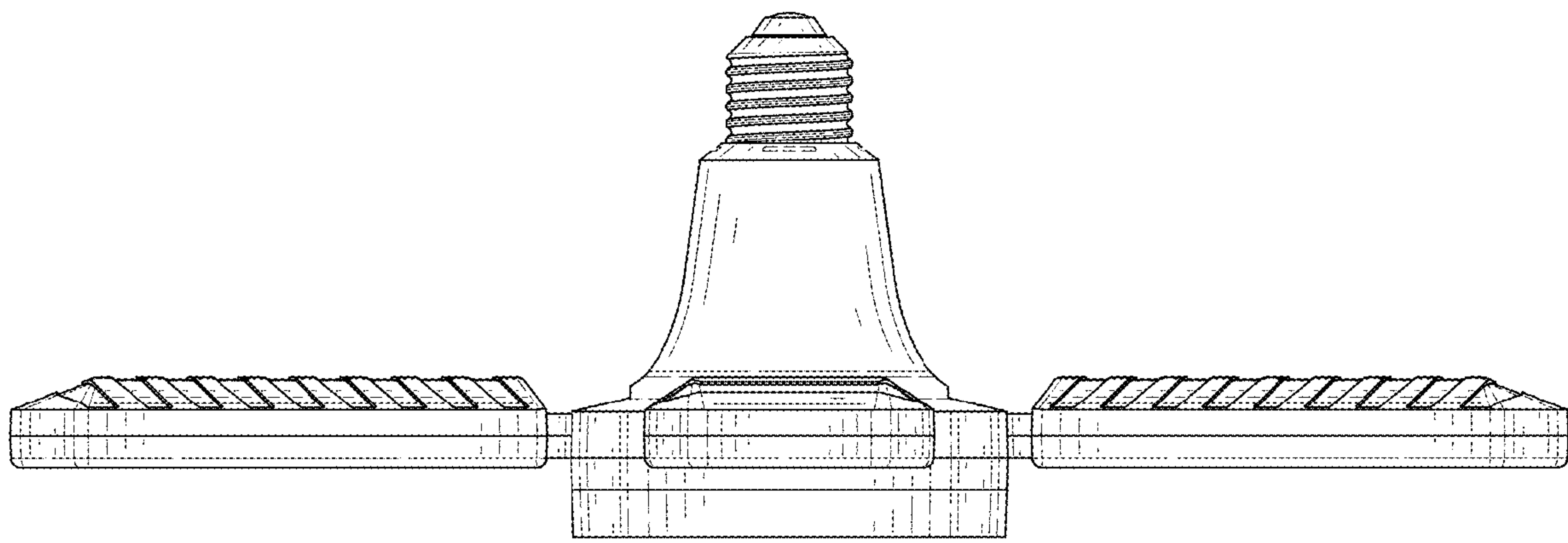


FIG. 4

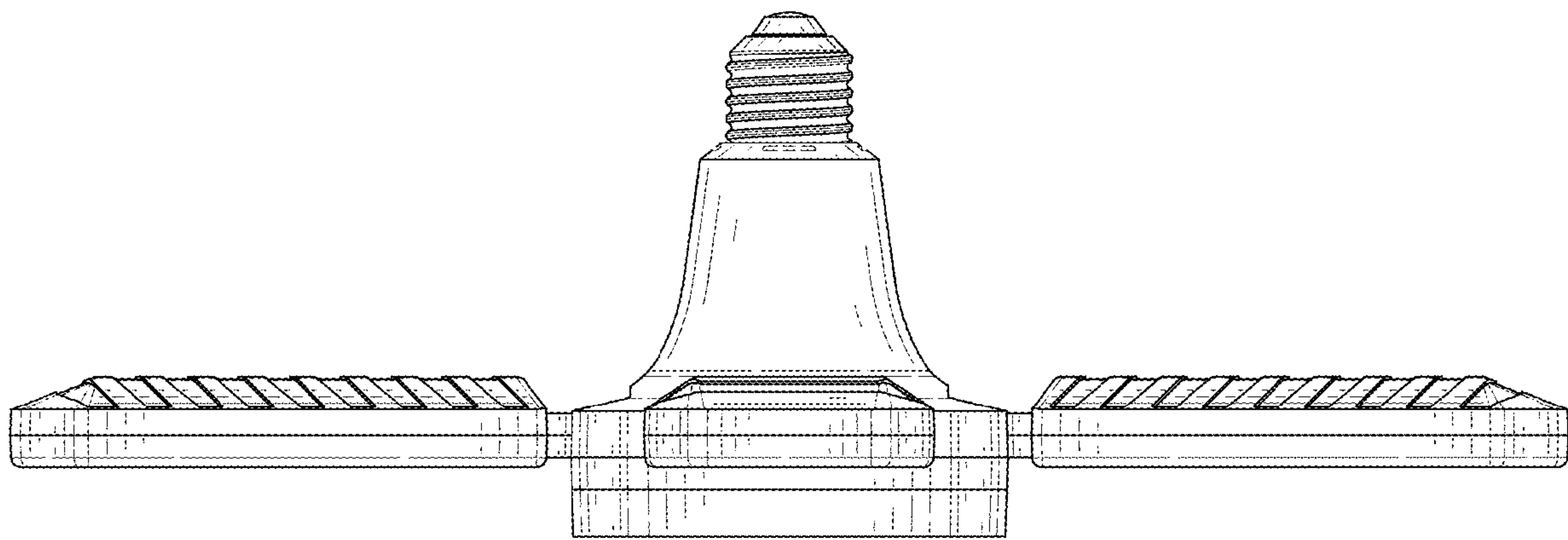


FIG. 5

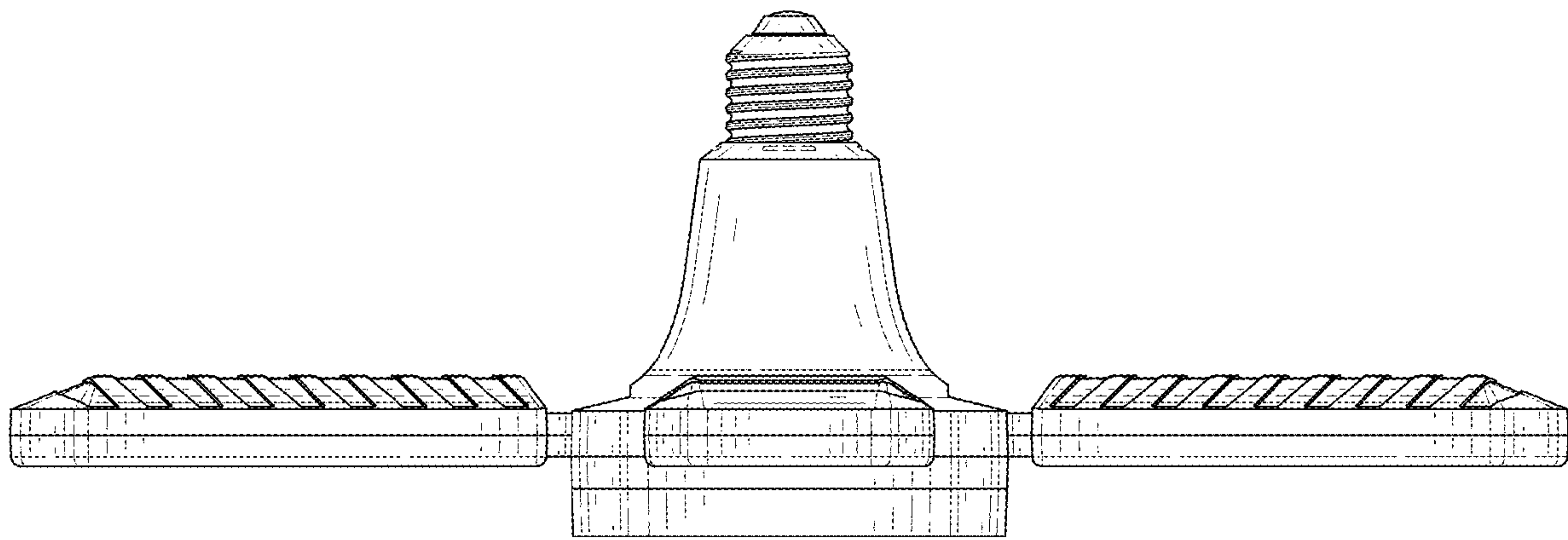


FIG. 6

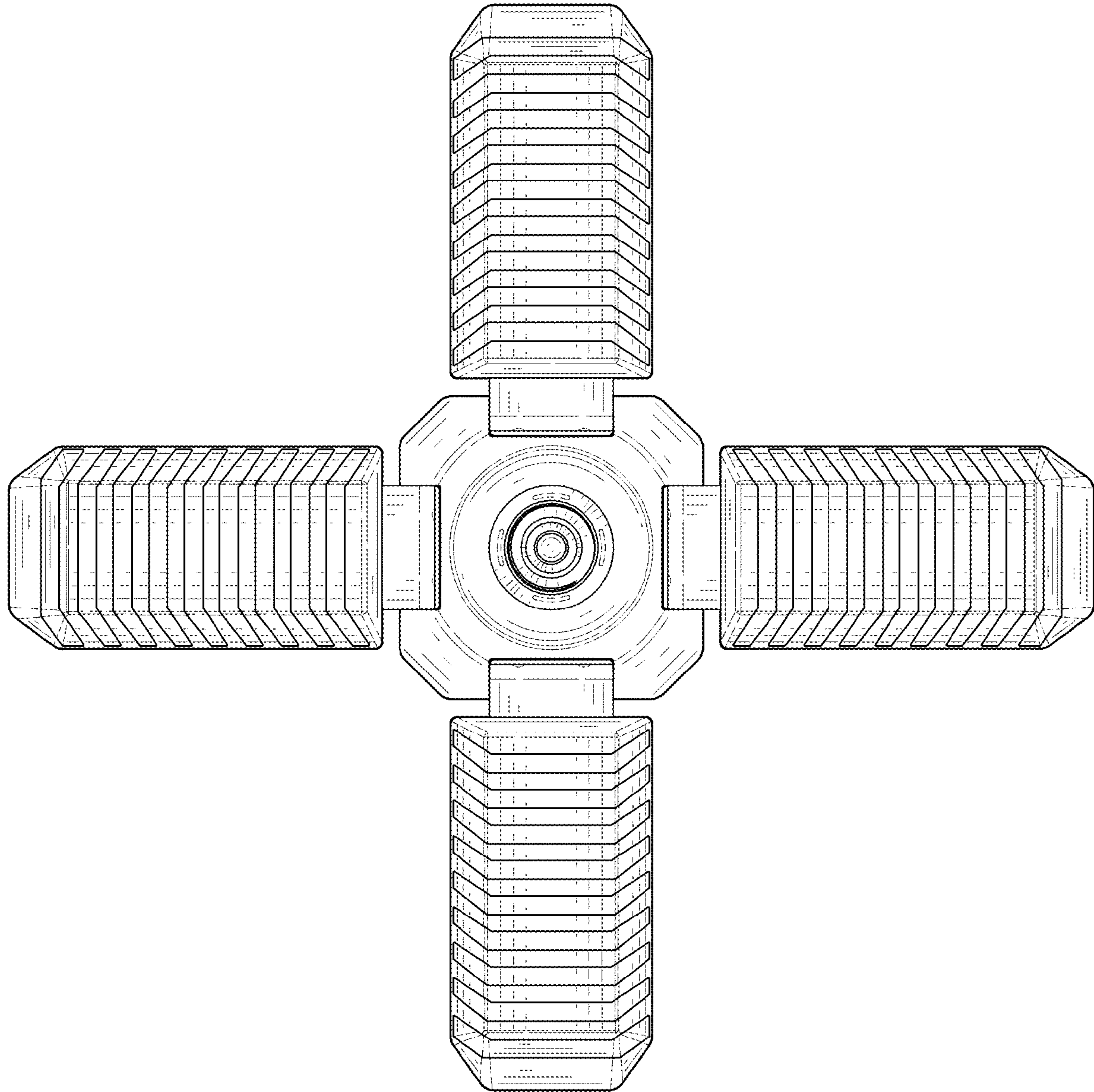


FIG. 7

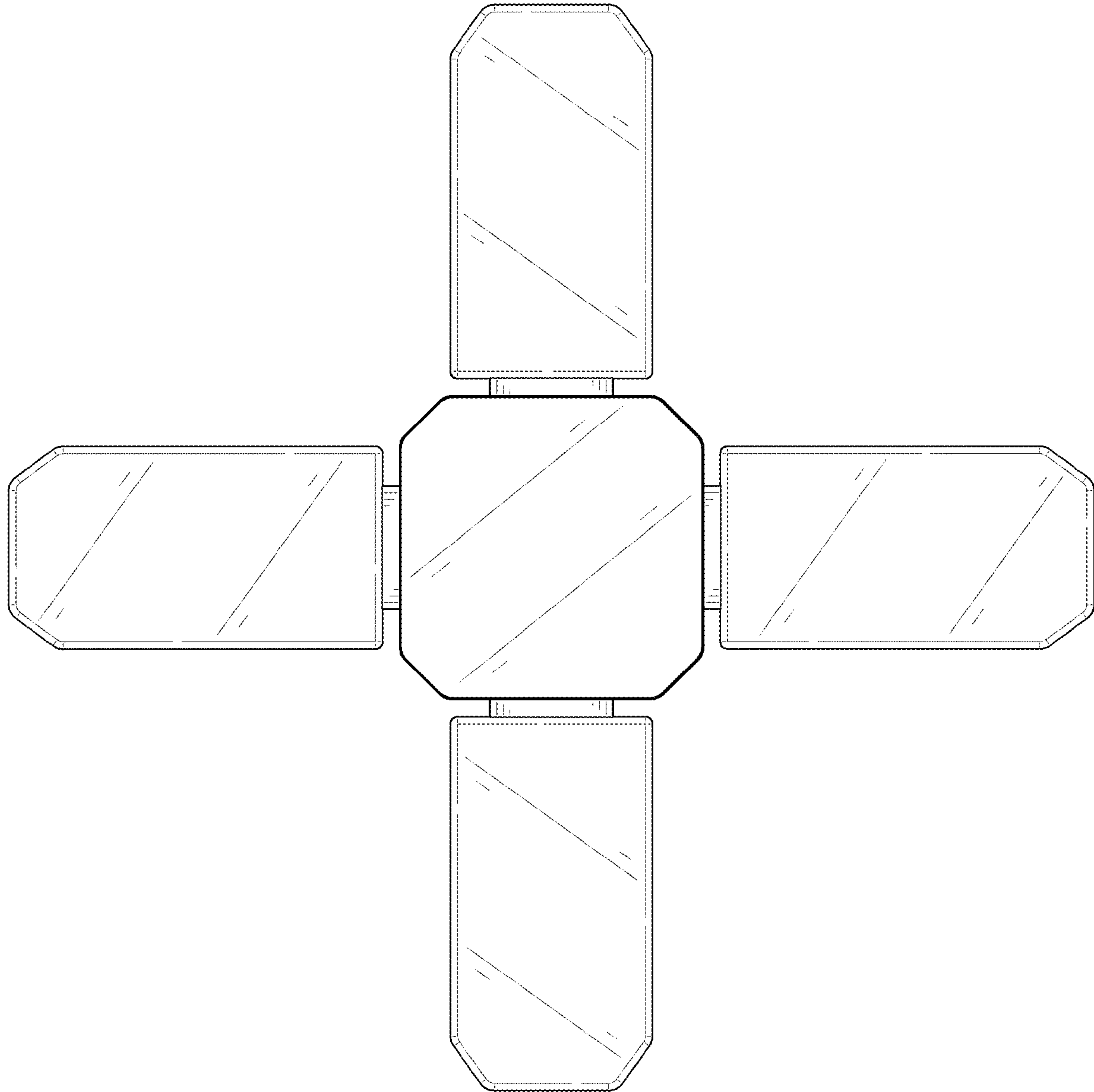


FIG. 8

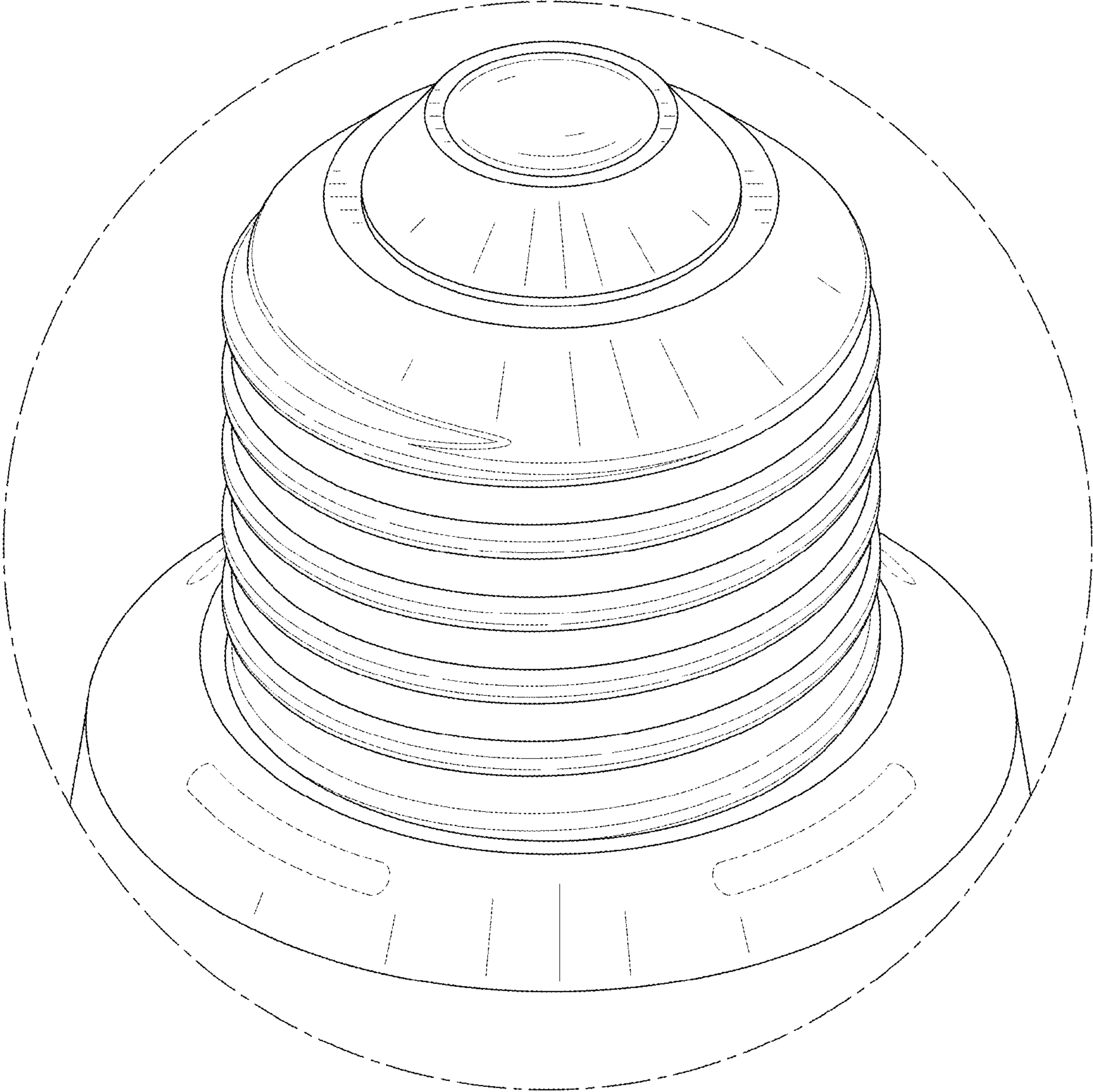


FIG. 9

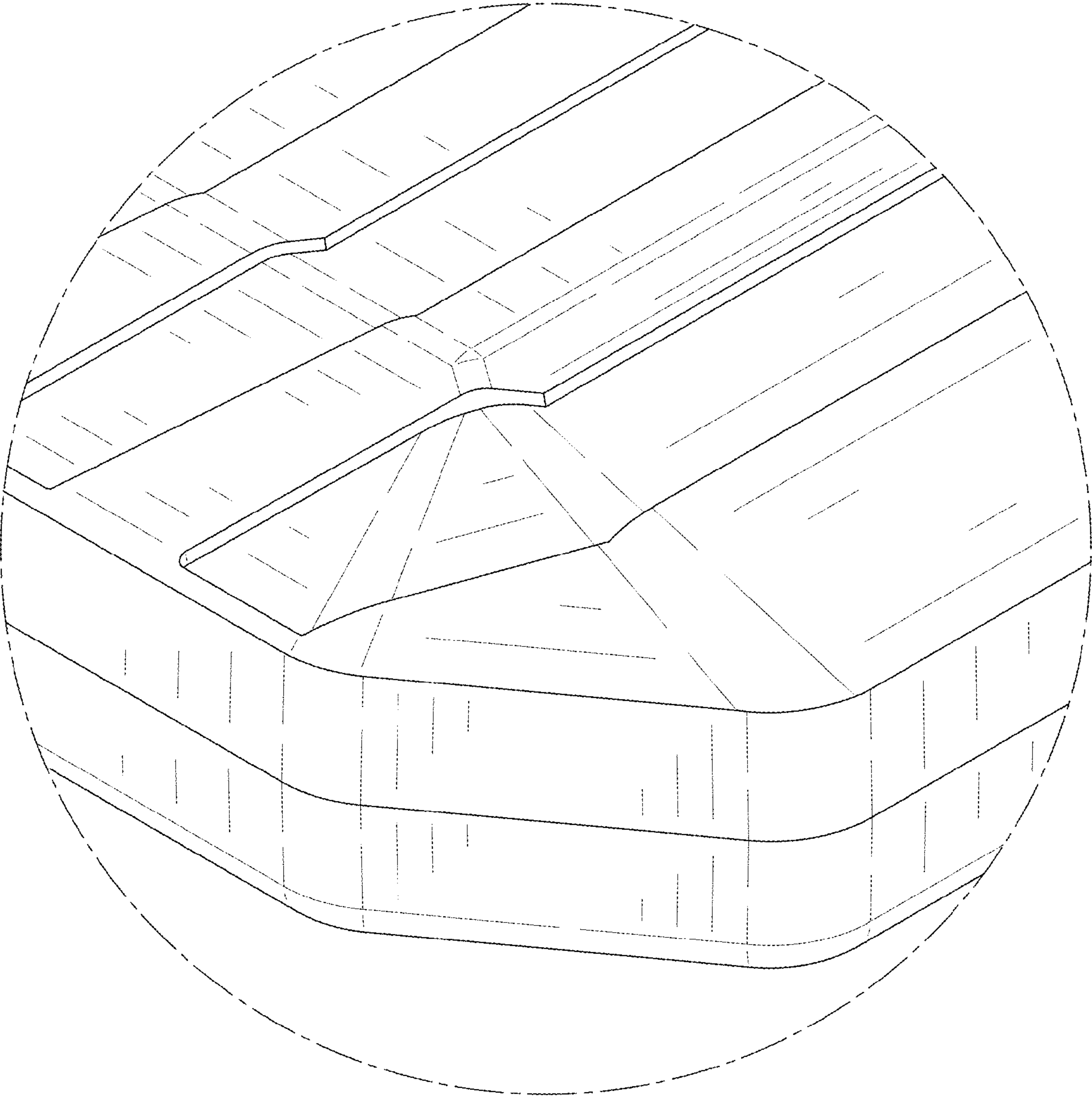


FIG. 10