



US00D952220S

(12) **United States Design Patent**  
**Landry**

(10) **Patent No.:** **US D952,220 S**

(45) **Date of Patent:** **\*\* May 17, 2022**

(54) **LIGHTING FIXTURE**

(71) Applicant: **Lumenpulse Group Inc.**, Longueuil (CA)

(72) Inventor: **Samuel Landry**, Montreal (CA)

(73) Assignee: **LMPG INC.**, Longueuil (CA)

(\*\*) Term: **15 Years**

(21) Appl. No.: **29/640,272**

(22) Filed: **Mar. 13, 2018**

(51) **LOC (13) Cl.** ..... **26-05**

(52) **U.S. Cl.**  
USPC ..... **D26/63**

(58) **Field of Classification Search**

USPC ..... D26/1, 2, 24, 60, 61, 63-66, 72, 75, 80,  
D26/81, 83, 85, 87, 88, 92, 113, 118,  
D26/119, 138, 142, 145

(Continued)

(56) **References Cited**

U.S. PATENT DOCUMENTS

D115,014 S \* 5/1939 Waltman ..... D26/24  
D128,284 S \* 7/1941 Herr ..... D26/63

(Continued)

*Primary Examiner* — Shawn T Gingrich

(74) *Attorney, Agent, or Firm* — Burns & Levinson, LLP;  
Joseph M. Maraia

(57) **CLAIM**

The ornamental design for a lighting fixture, as shown and described.

**DESCRIPTION**

FIG. 1 a first perspective view of a light fixture with an opaque top lens.

FIG. 2 a second perspective view of a light fixture with an opaque top lens.

FIG. 3 a first end view of a light fixture with an opaque top lens.

FIG. 4 a second end view of a light fixture with an opaque top lens.

FIG. 5 a perspective bottom view of a light fixture with an opaque top lens.

FIG. 6 a side view of a light fixture with an opaque top lens.

FIG. 7 a top view of a light fixture with an opaque top lens.

FIG. 8 a bottom view of a light fixture with an opaque top lens.

FIG. 9 a perspective view of a light fixture with a transparent top lens.

FIG. 10 a top view of a light fixture with a transparent top lens.

FIG. 11 a perspective view of another light fixture with an opaque top lens.

FIG. 12 a side view of the light fixture of FIG. 11.

FIG. 13 a perspective view of yet another light fixture with an opaque top lens.

FIG. 14 a side view of the light fixture of FIG. 13.

FIG. 15 a perspective view of still another light fixture with an opaque top lens.

FIG. 16 a top view of the light fixture of FIG. 15.

FIG. 17 a perspective view of another light fixture, with a transparent top lens instead of an opaque top lens.

FIG. 18 a top view of the light fixture of FIG. 17.

FIG. 19 a perspective view of yet another light fixture, with a transparent top lens instead of an opaque top lens.

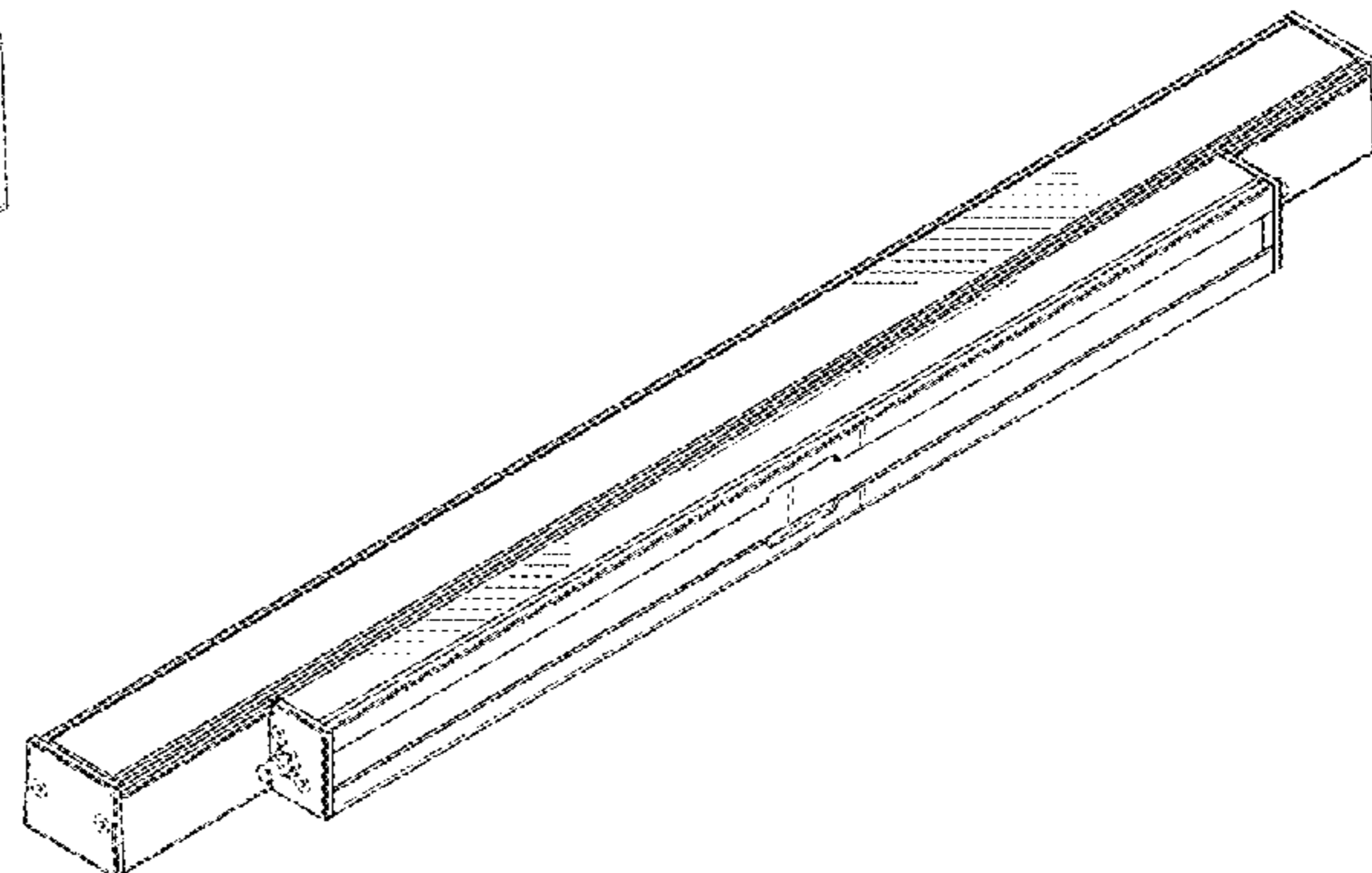
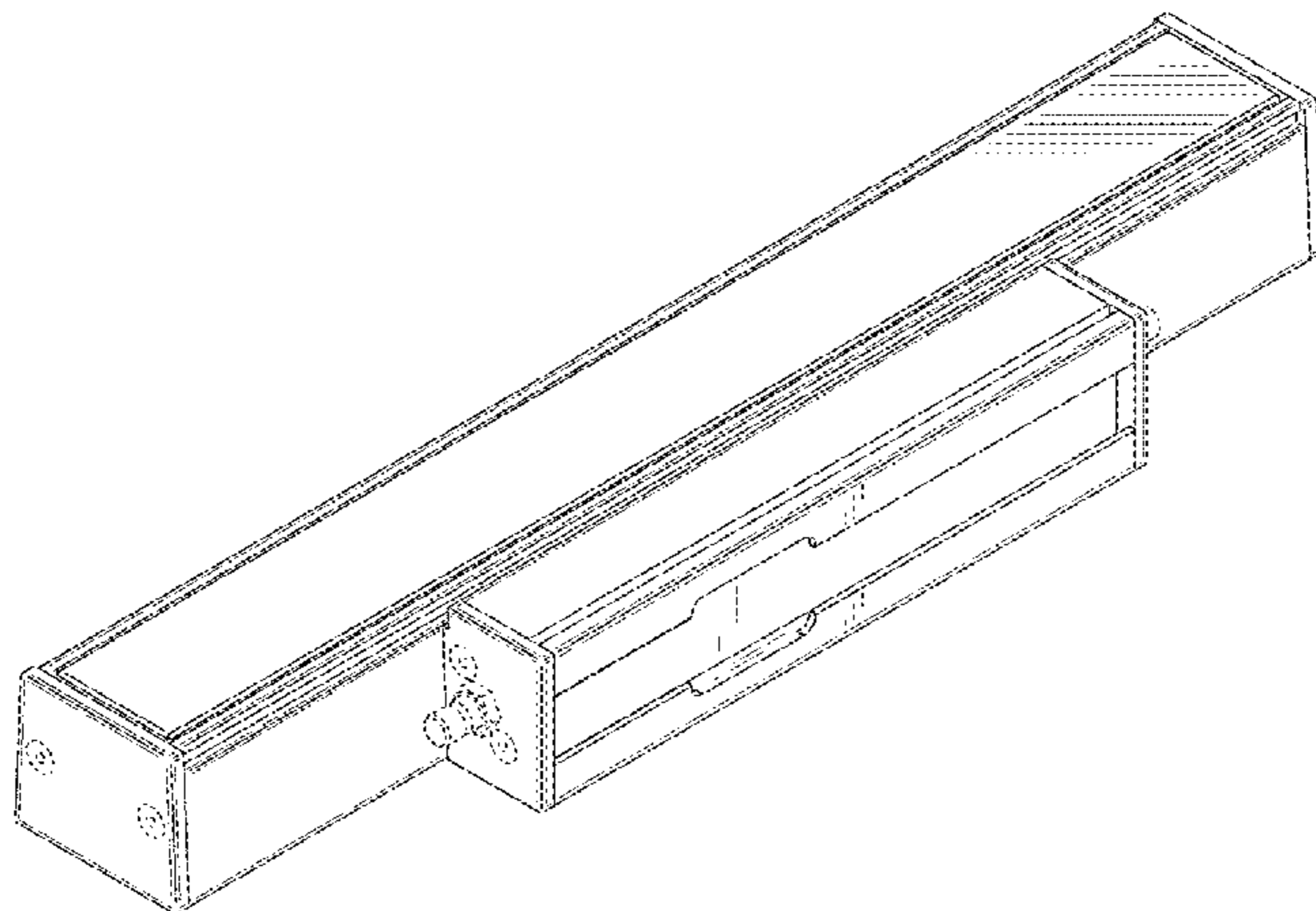
FIG. 20 a top view of the light fixture of FIG. 19.

FIG. 21 a perspective view of still another light fixture, with a transparent top lens instead of an opaque top lens; and,

FIG. 22 a top view of the light fixture of FIG. 2.

The broken lines shown are included for the purpose of illustrating environmental structure and portions of the lighting fixture that form no part of the claimed design.

**1 Claim, 9 Drawing Sheets**



(58) **Field of Classification Search**

CPC ..... A61B 1/06; A61B 5/00; A61B 5/1172;  
 A61B 34/00; A61B 90/00; A61B 90/30;  
 A61B 90/35; G16H 20/40; F21V 21/30;  
 F21V 21/04; F21V 23/04; H04N 5/2354;  
 H05B 47/125

See application file for complete search history.

(56) **References Cited**

U.S. PATENT DOCUMENTS

D306,909 S \* 3/1990 Kelley ..... D26/24  
 D337,842 S \* 7/1993 Yuen ..... D26/44  
 D563,013 S \* 2/2008 Levine ..... D26/63  
 D629,548 S \* 12/2010 Cai ..... D26/63  
 D632,422 S \* 2/2011 van den Akker ..... D26/128  
 D734,524 S \* 7/2015 Boudewyns ..... D26/63  
 D757,975 S \* 5/2016 Lo Chun Tung ..... D26/63  
 D770,072 S \* 10/2016 Law ..... D26/63  
 D773,088 S \* 11/2016 Hodgson ..... D26/61  
 D775,393 S \* 12/2016 Adams ..... D26/63  
 D782,095 S \* 3/2017 Fletcher ..... D26/76  
 D782,096 S \* 3/2017 Fletcher ..... D26/76  
 9,651,227 B2 \* 5/2017 Pickard ..... F21V 21/30  
 D793,602 S \* 8/2017 Liu ..... D26/76  
 D796,107 S \* 8/2017 Boorom ..... D26/87  
 D800,366 S \* 10/2017 Cavaliere ..... D26/75

D808,566 S \* 1/2018 Goetz-Schaefer ..... D26/76  
 D817,535 S \* 5/2018 Feng ..... D26/76  
 D822,260 S \* 7/2018 Lee ..... D26/87  
 D855,237 S \* 7/2019 Liu ..... D26/76  
 D870,340 S \* 12/2019 Gruendl ..... D26/63  
 D872,338 S \* 1/2020 Deng ..... D26/76  
 D877,969 S \* 3/2020 Santoro ..... D26/124  
 D880,035 S \* 3/2020 Gordin ..... D26/63  
 D880,742 S \* 4/2020 Li ..... D26/61  
 D883,551 S \* 5/2020 Waldmann ..... D26/65  
 D884,241 S \* 5/2020 Chami ..... D26/63  
 D889,028 S \* 6/2020 Santoro ..... D26/120  
 D890,973 S \* 7/2020 Hodgson ..... D26/63  
 D895,873 S \* 9/2020 Yang ..... D26/63  
 D907,274 S \* 1/2021 Jiang ..... D26/85  
 D912,879 S \* 3/2021 Hu ..... D26/85  
 D915,632 S \* 4/2021 Patterson ..... D25/138  
 D923,233 S \* 6/2021 Liu ..... D26/85  
 2010/0254148 A1 \* 10/2010 Huang ..... F21S 4/28  
 362/373  
 2011/0051407 A1 \* 3/2011 St. Ives ..... F21V 15/015  
 362/225  
 2011/0128737 A1 \* 6/2011 Kim ..... F21V 21/30  
 362/249.03  
 2011/0141722 A1 \* 6/2011 Acampora ..... F21V 15/013  
 362/218  
 2013/0271977 A1 \* 10/2013 Ronen ..... F21V 21/30  
 362/235

\* cited by examiner

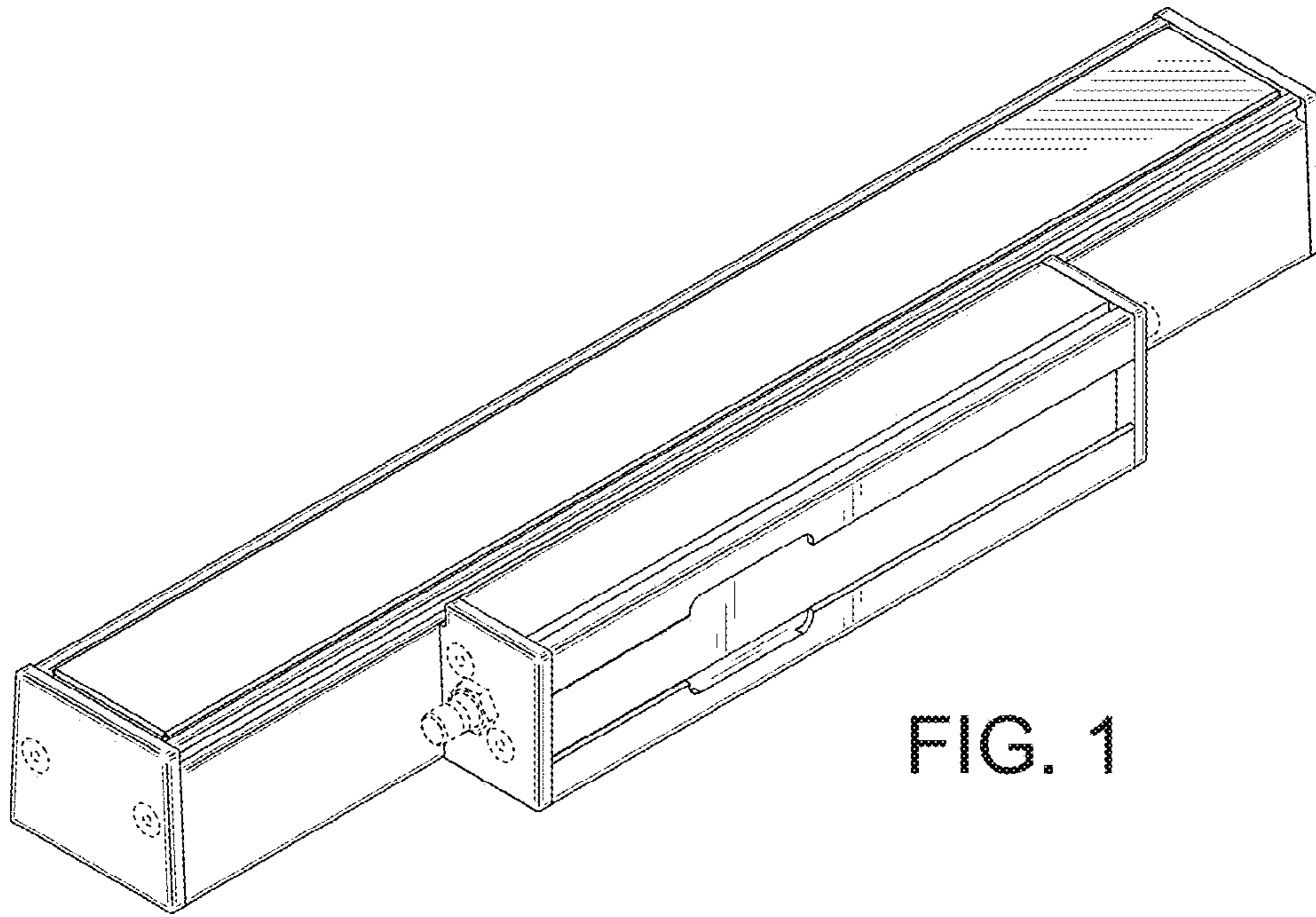


FIG. 1

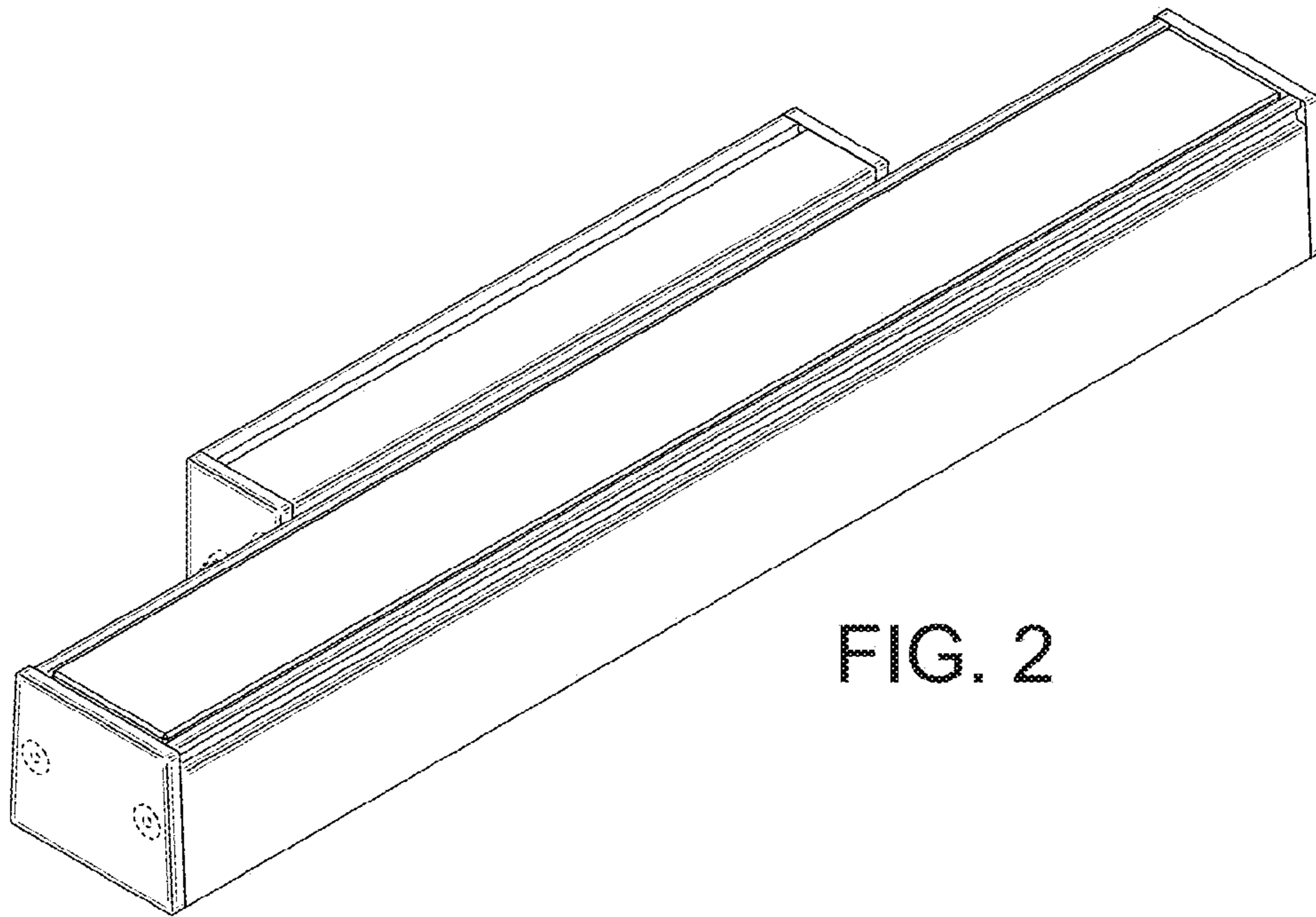


FIG. 2

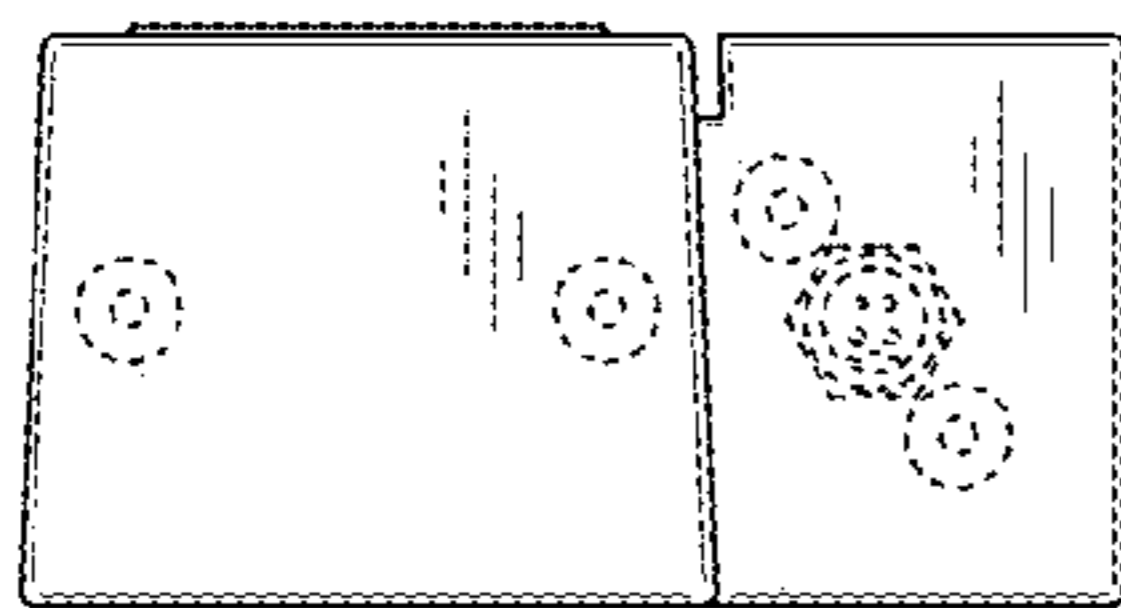


FIG. 3

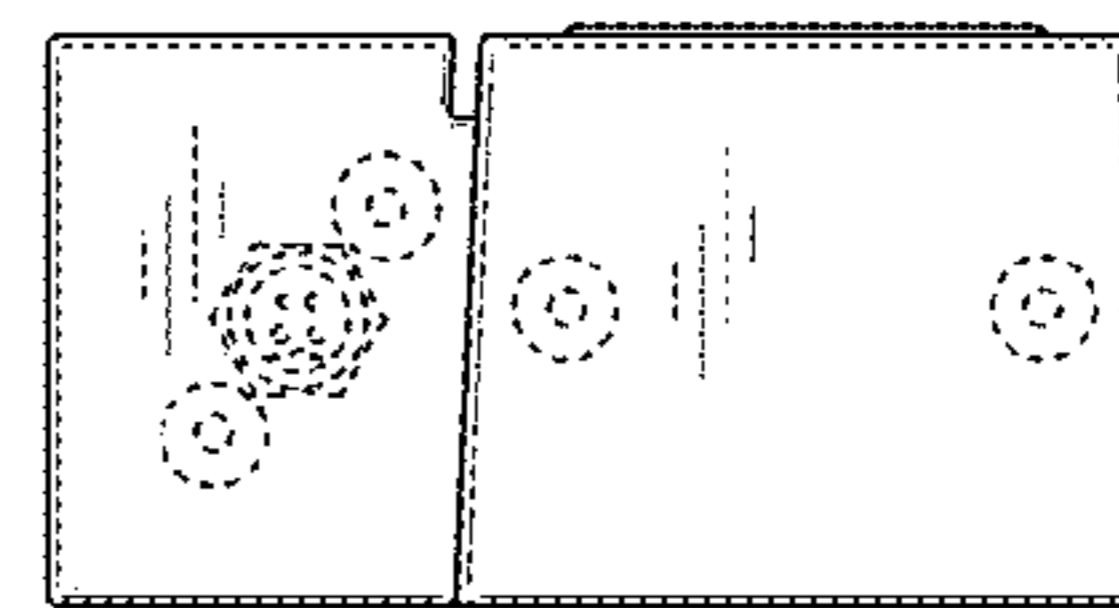


FIG. 4

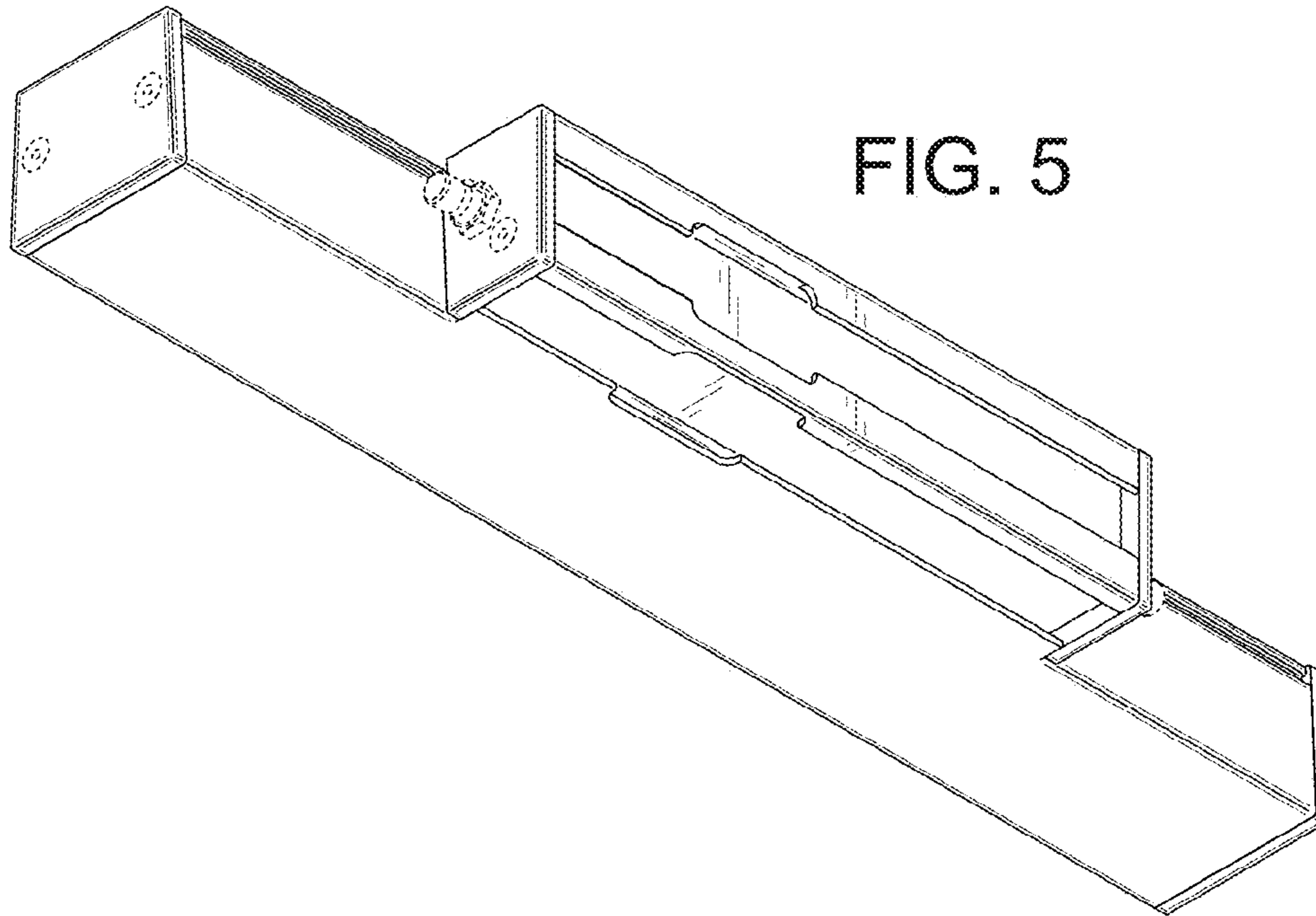


FIG. 5

FIG. 6

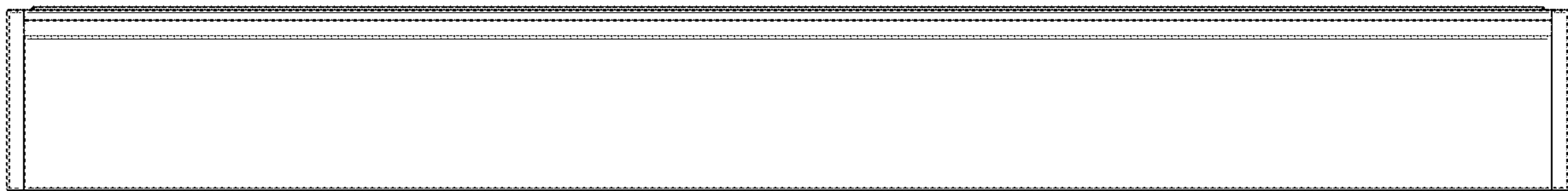
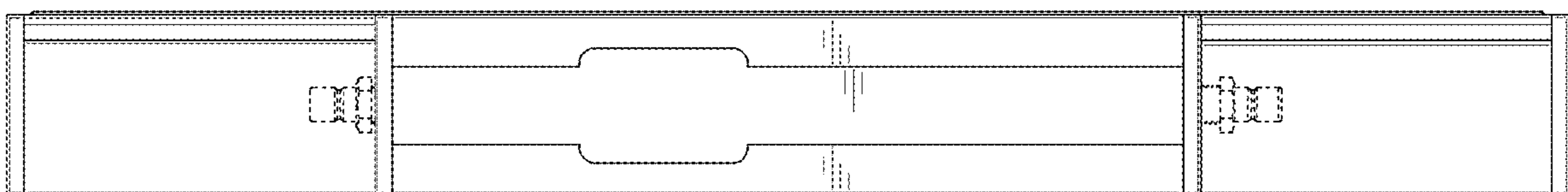


FIG. 7

FIG. 8



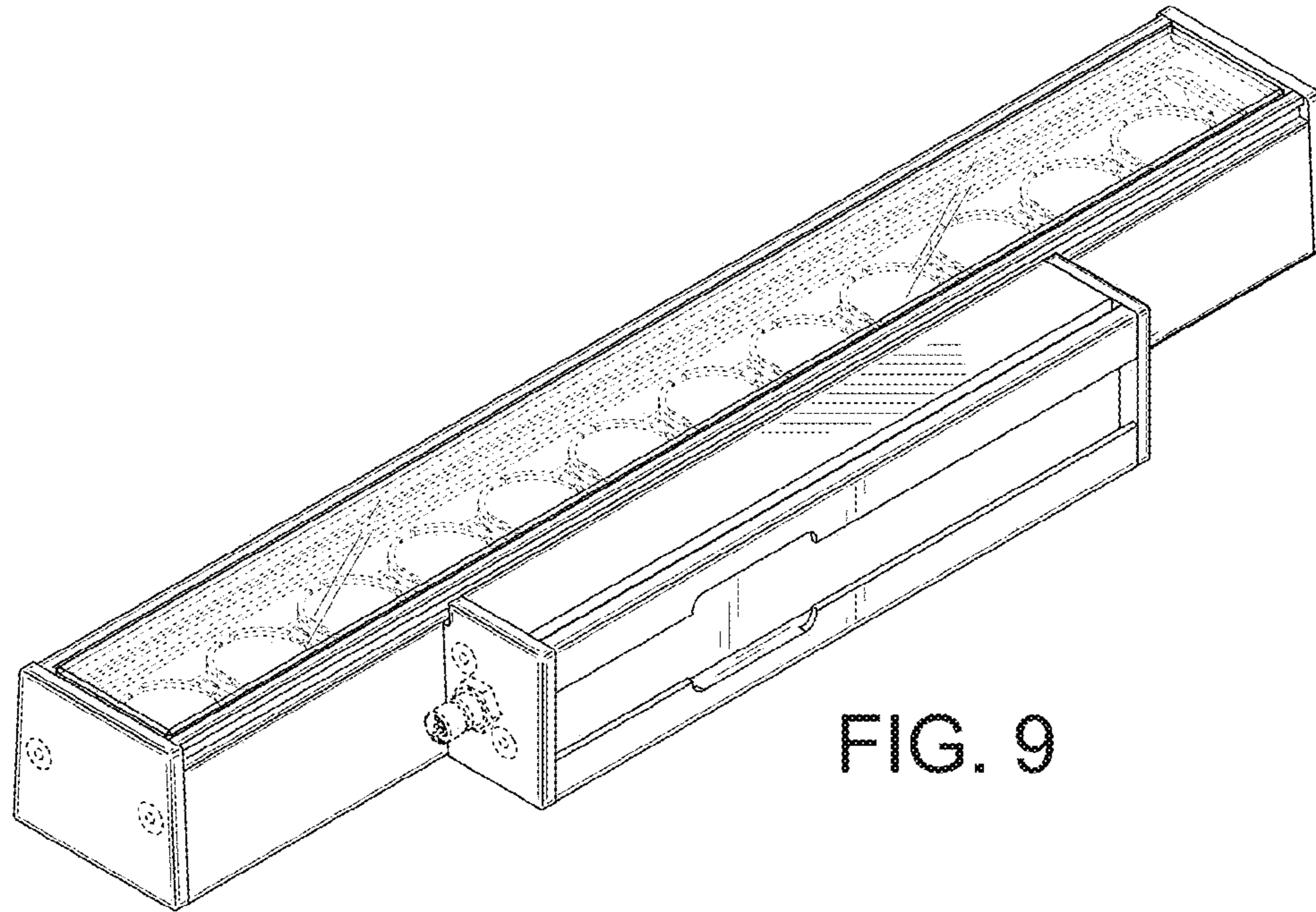


FIG. 9

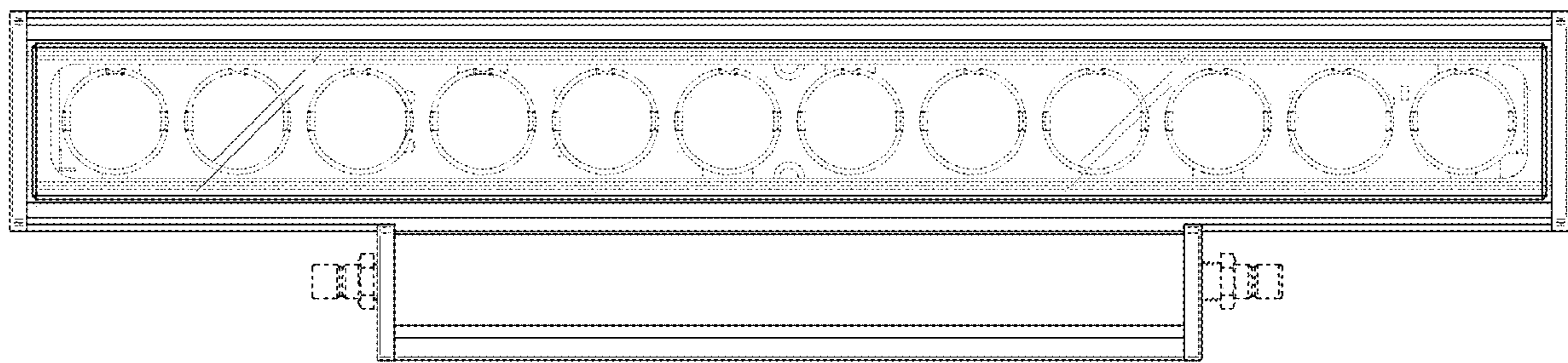


FIG. 10

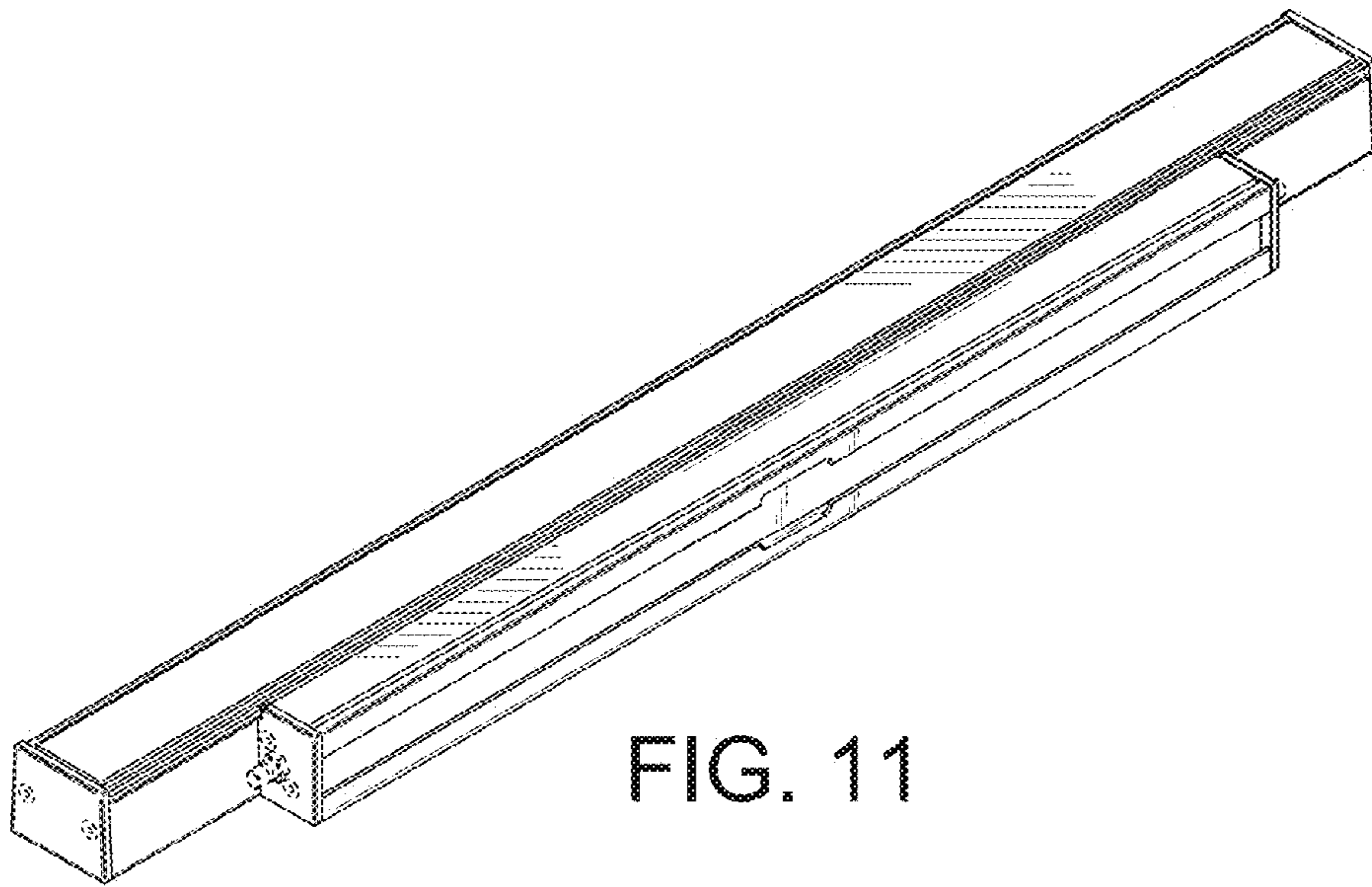


FIG. 11

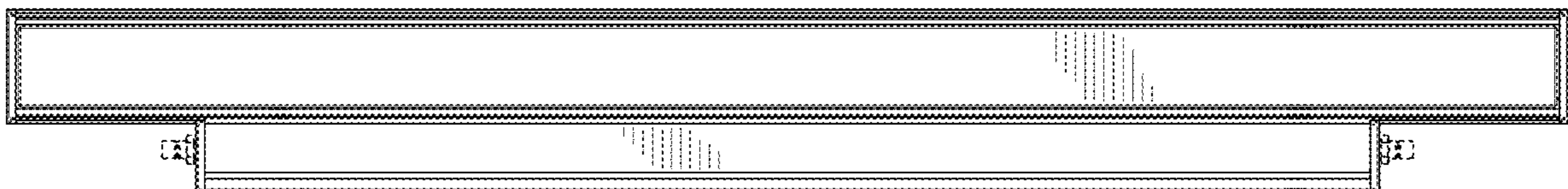


FIG. 12

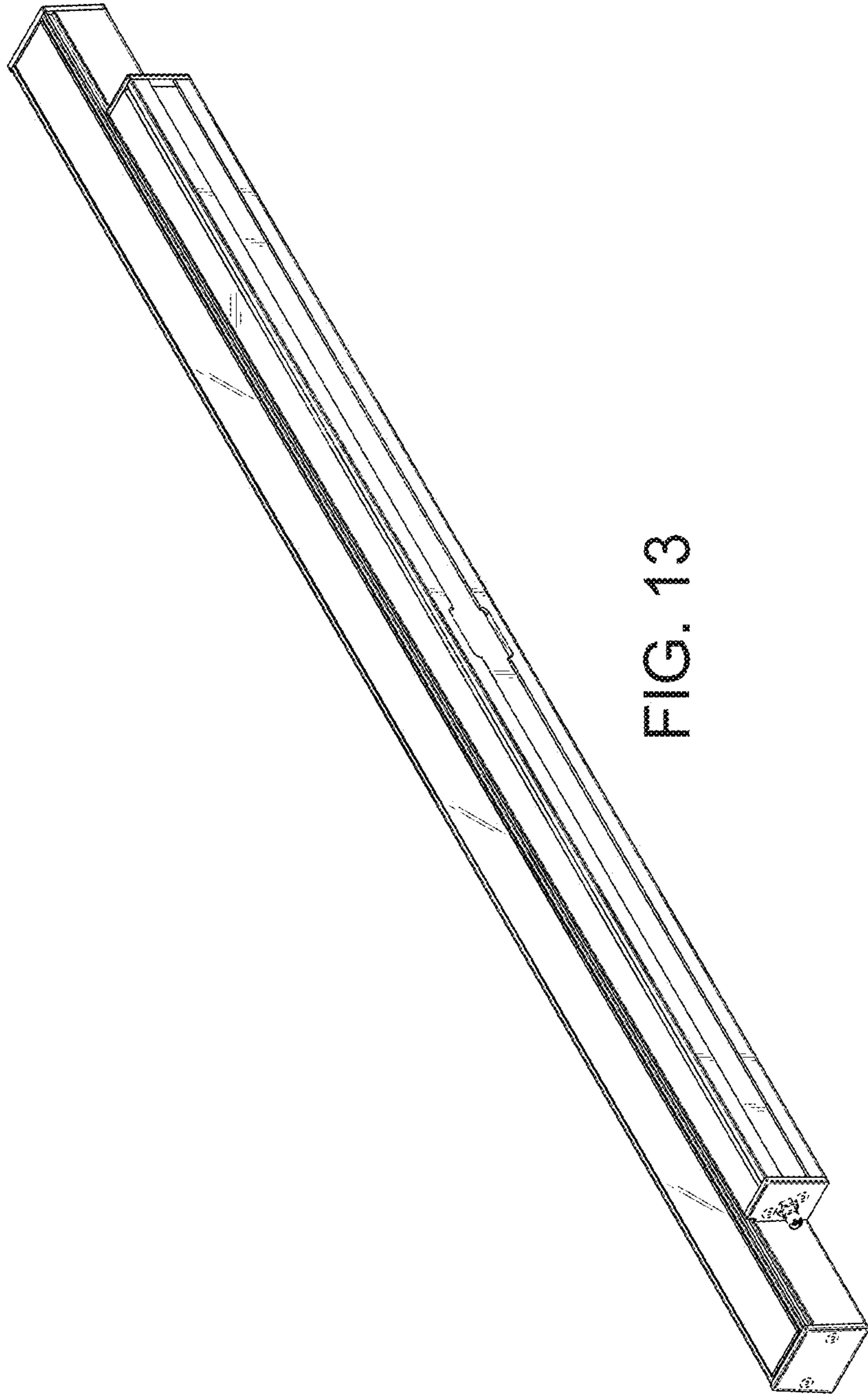


FIG. 13

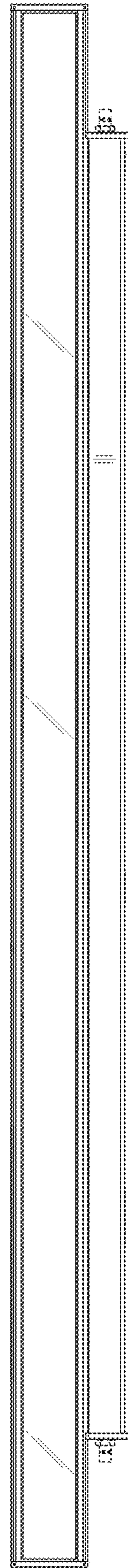


FIG. 14

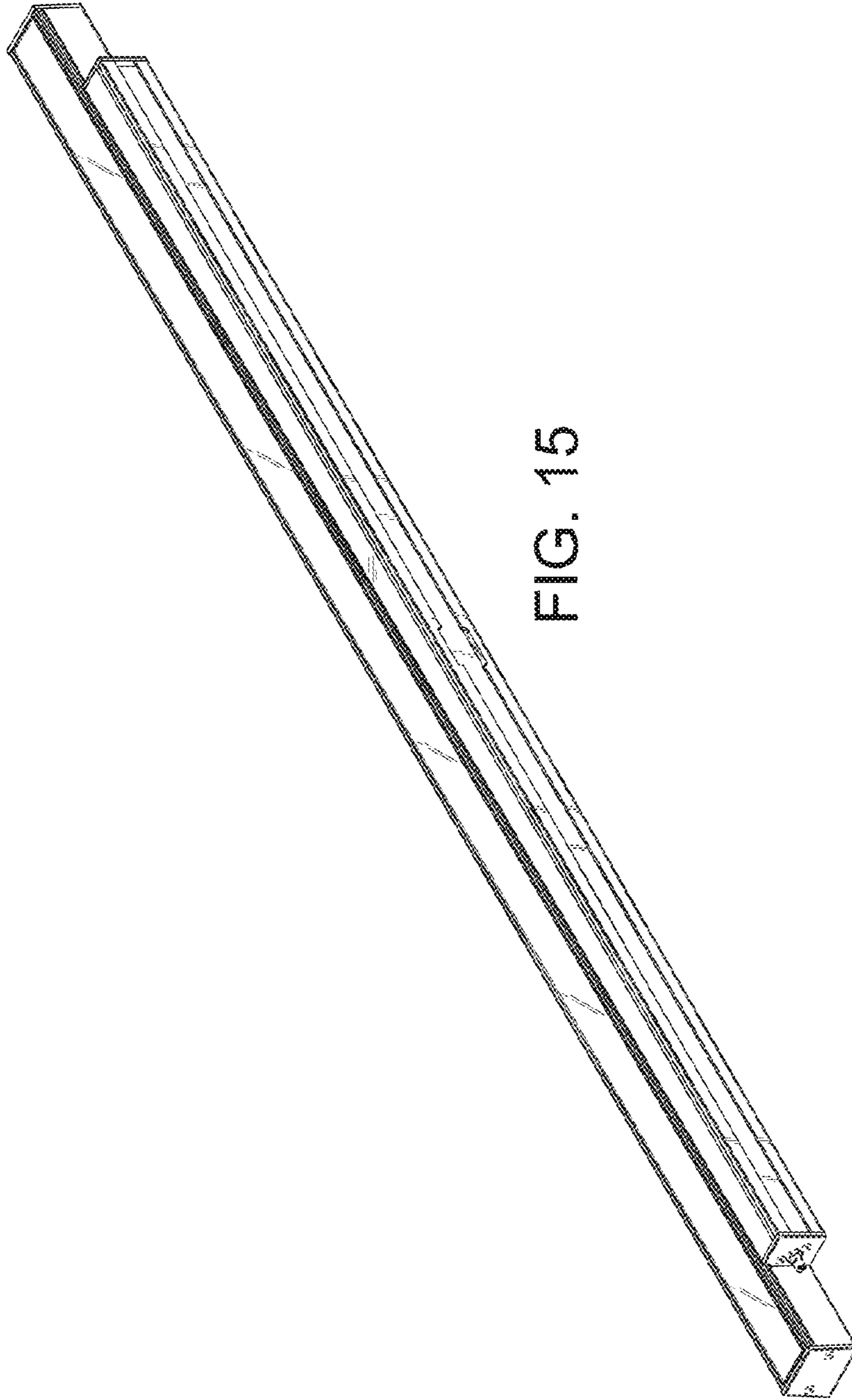


FIG. 15

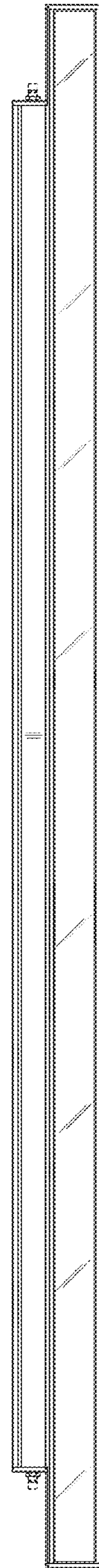


FIG. 16



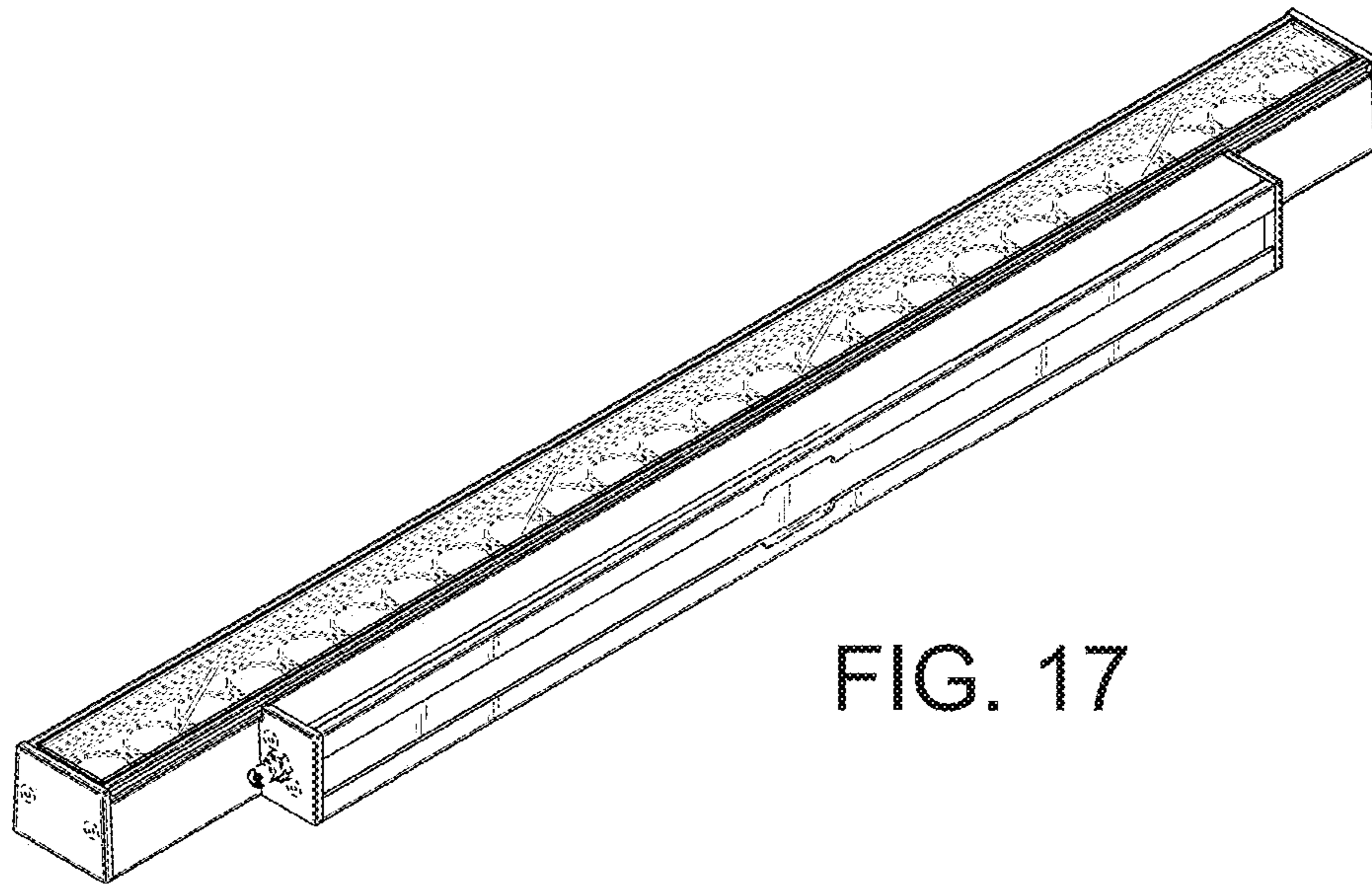


FIG. 17

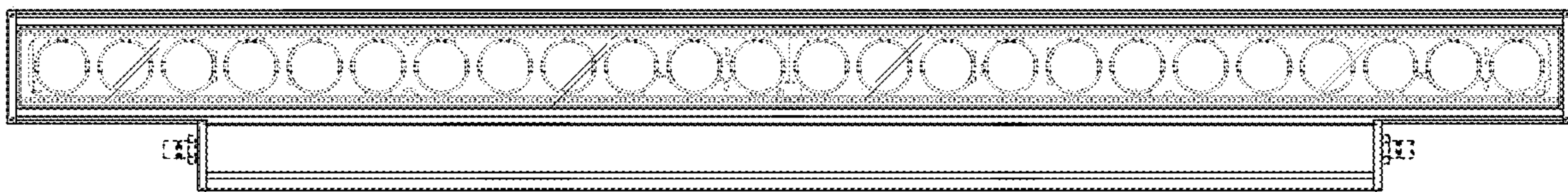


FIG. 18

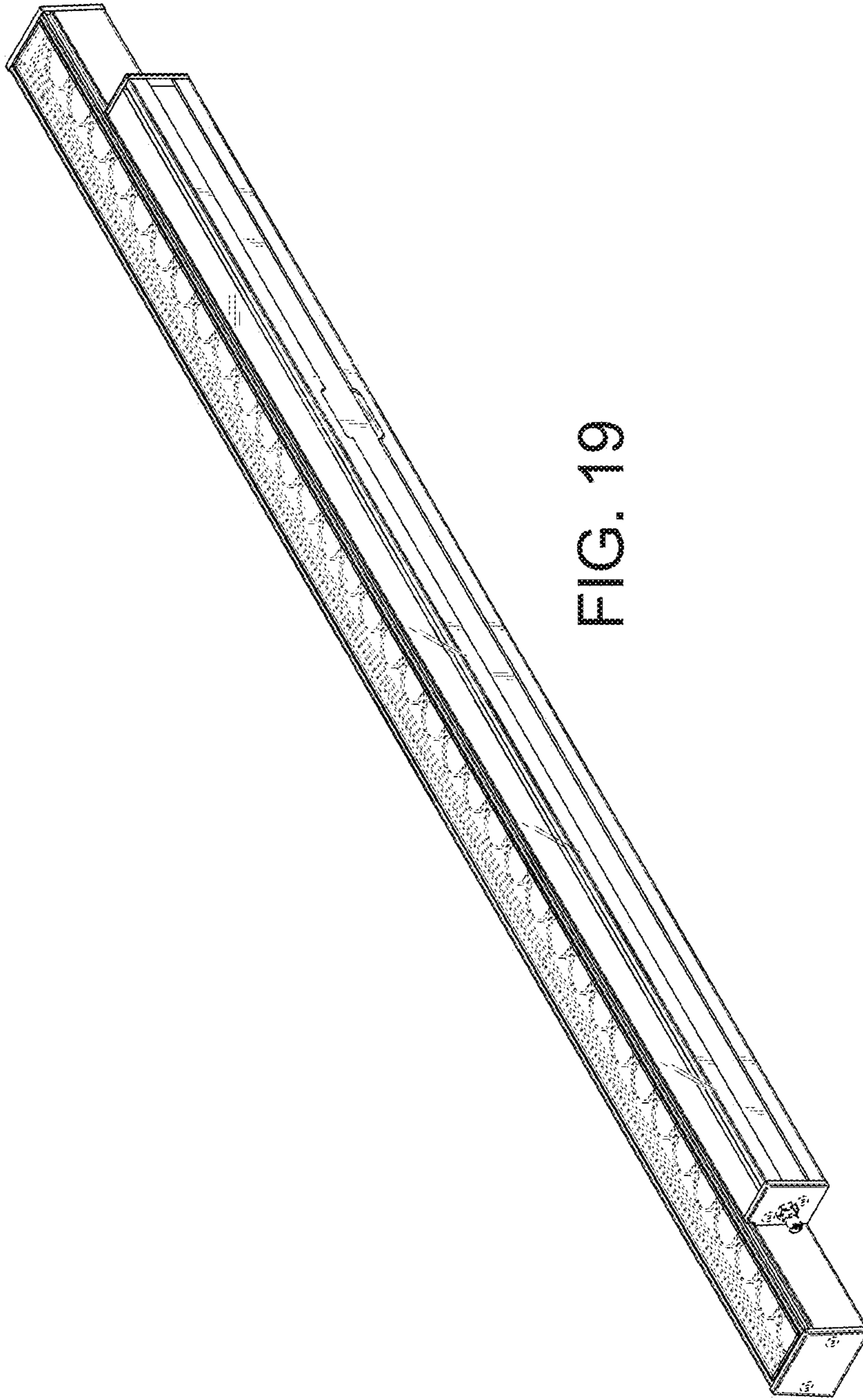


FIG. 19

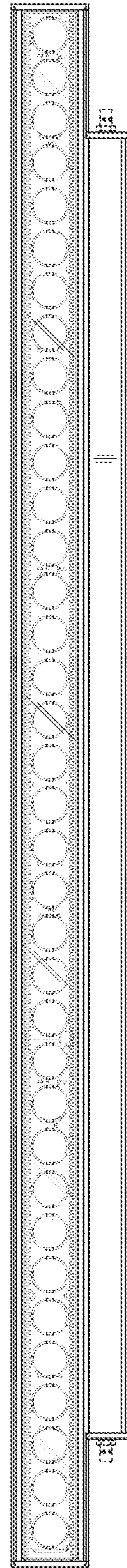


FIG. 20

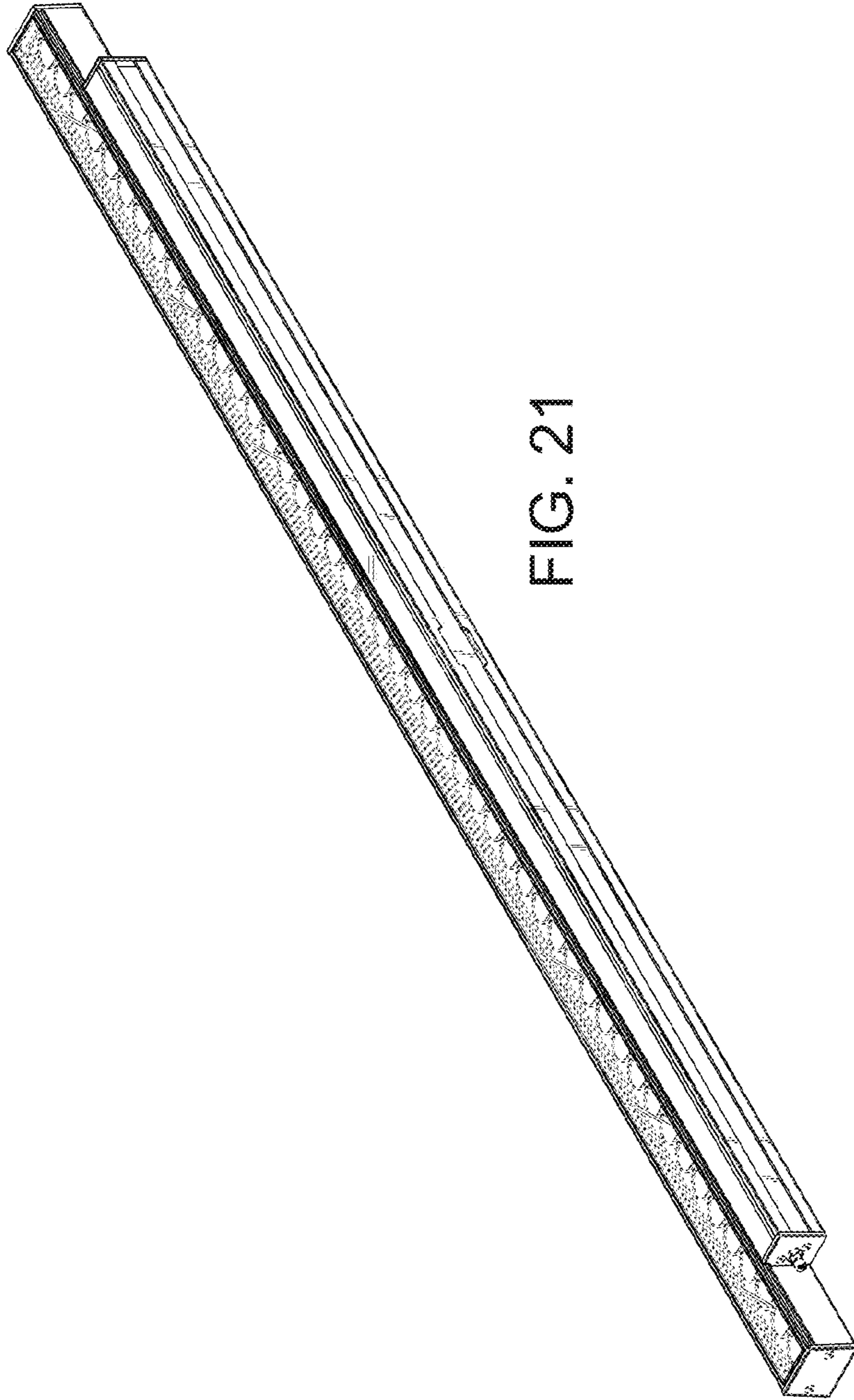


FIG. 21

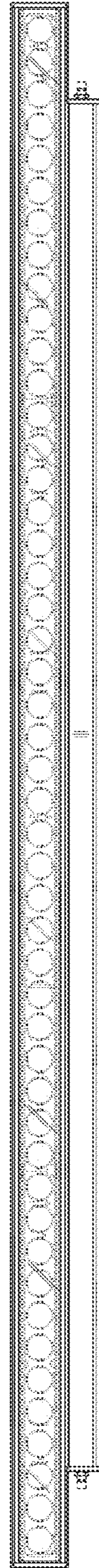


FIG. 22