



US00D952219S

(12) **United States Design Patent**
Huang

(10) **Patent No.:** **US D952,219 S**

(45) **Date of Patent:** **** May 17, 2022**

(54) **LED PLANT GROW LIGHT**

(71) Applicant: **SHENZHEN HONDO LIGHTING TECHNOLOGY CO., LTD.**, Shenzhen (CN)

(72) Inventor: **Juanjuan Huang**, Shenzhen (CN)

(**) Term: **15 Years**

(21) Appl. No.: **29/777,358**

(22) Filed: **Apr. 6, 2021**

(51) **LOC (13) Cl.** **26-05**

(52) **U.S. Cl.**
USPC **D26/60; D26/102**

(58) **Field of Classification Search**
USPC D26/4, 7, 16, 24, 25, 34, 42, 60, 61, 62, D26/63, 73, 80, 86, 93, 102, 110, 150, D26/151; D16/237, 239, 244, 245, 250
CPC .. F21S 8/036; F21S 8/043; F21S 8/081; F21S 8/083; F21S 8/088; F21S 6/003; F21S 6/004; F21S 6/005; F21Y 2103/00; F21Y 2103/10; F21Y 2103/20; F21Y 2107/30; F21V 19/0095
See application file for complete search history.

(56) **References Cited**

U.S. PATENT DOCUMENTS

D652,160 S	1/2012	Brown	
D761,989 S	7/2016	Dickinson	
D822,877 S *	7/2018	Kaiser	D26/107
D875,286 S *	2/2020	Noga	D26/42
D878,654 S *	3/2020	Lin	D26/60
D908,267 S *	1/2021	Tang	D26/102
D910,222 S	2/2021	Zhang	

D919,874 S *	5/2021	Tang	D26/106
D921,278 S *	6/2021	Tang	D26/102
D925,800 S *	7/2021	He	D26/60
D929,022 S *	8/2021	Tang	D26/102
D932,672 S *	10/2021	Noga	D26/42

* cited by examiner

Primary Examiner — Wan Laymon
Assistant Examiner — Clint A Samuel

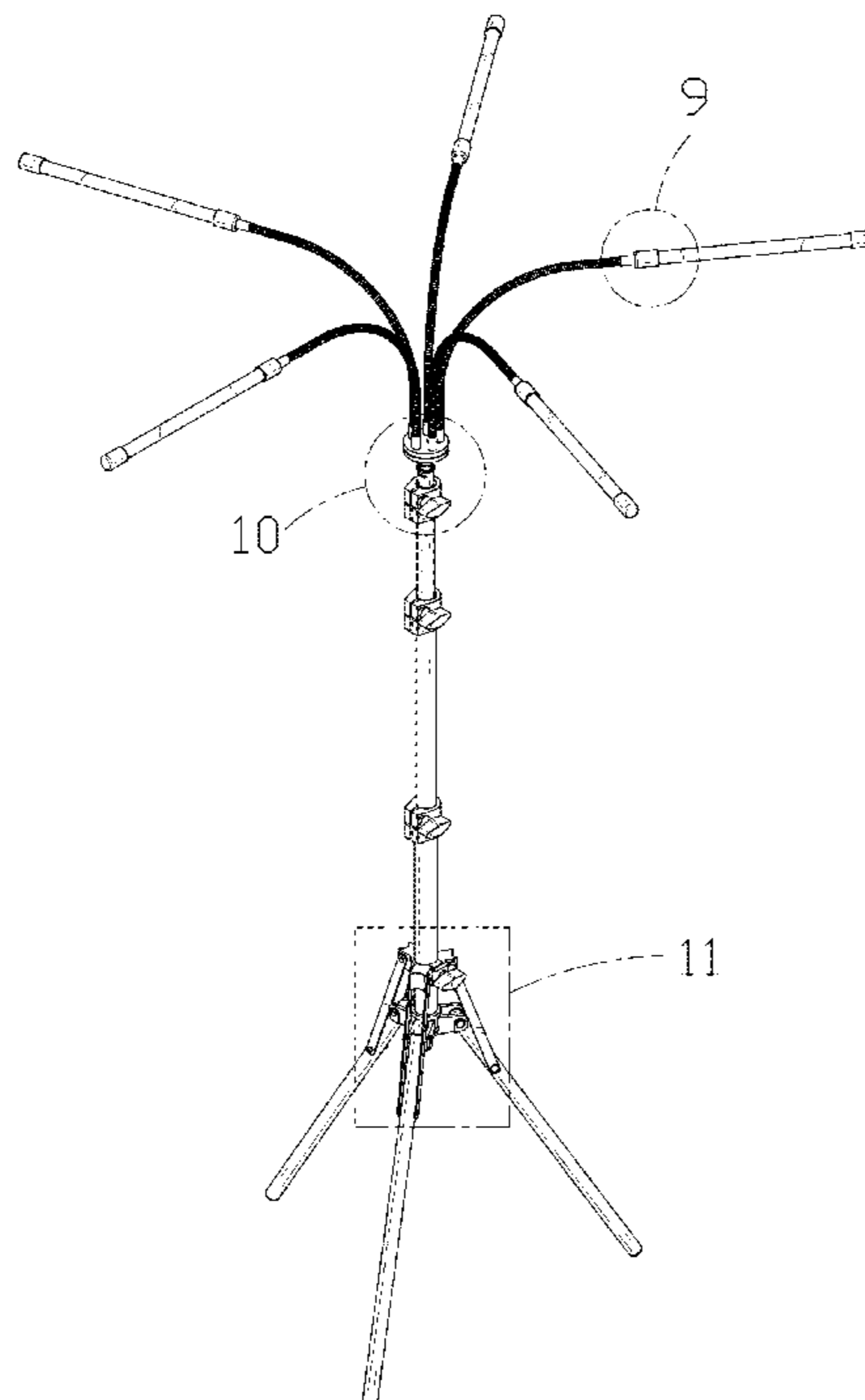
(57) **CLAIM**

The ornamental design for an LED plant grow light, as shown and described.

DESCRIPTION

FIG. 1 is a first perspective view of an LED plant grow light showing my new design;
FIG. 2 is a second perspective view thereof;
FIG. 3 is a front view thereof;
FIG. 4 is a back view thereof;
FIG. 5 is a left side view thereof;
FIG. 6 is a right side view thereof;
FIG. 7 is a top view thereof;
FIG. 8 is a bottom view thereof;
FIG. 9 is an enlarged view of the selected portion in FIG. 1;
FIG. 10 is an enlarged view of the selected portion in FIG. 1;
FIG. 11 is an enlarged view of the selected portion in FIG. 1; and,
FIG. 12 is an enlarged view of the selected portion in FIG. 2.
The broken lines shown in the drawings depict portions of the LED plant grow light in which the design is embodied that form no part of the claimed design.

1 Claim, 12 Drawing Sheets



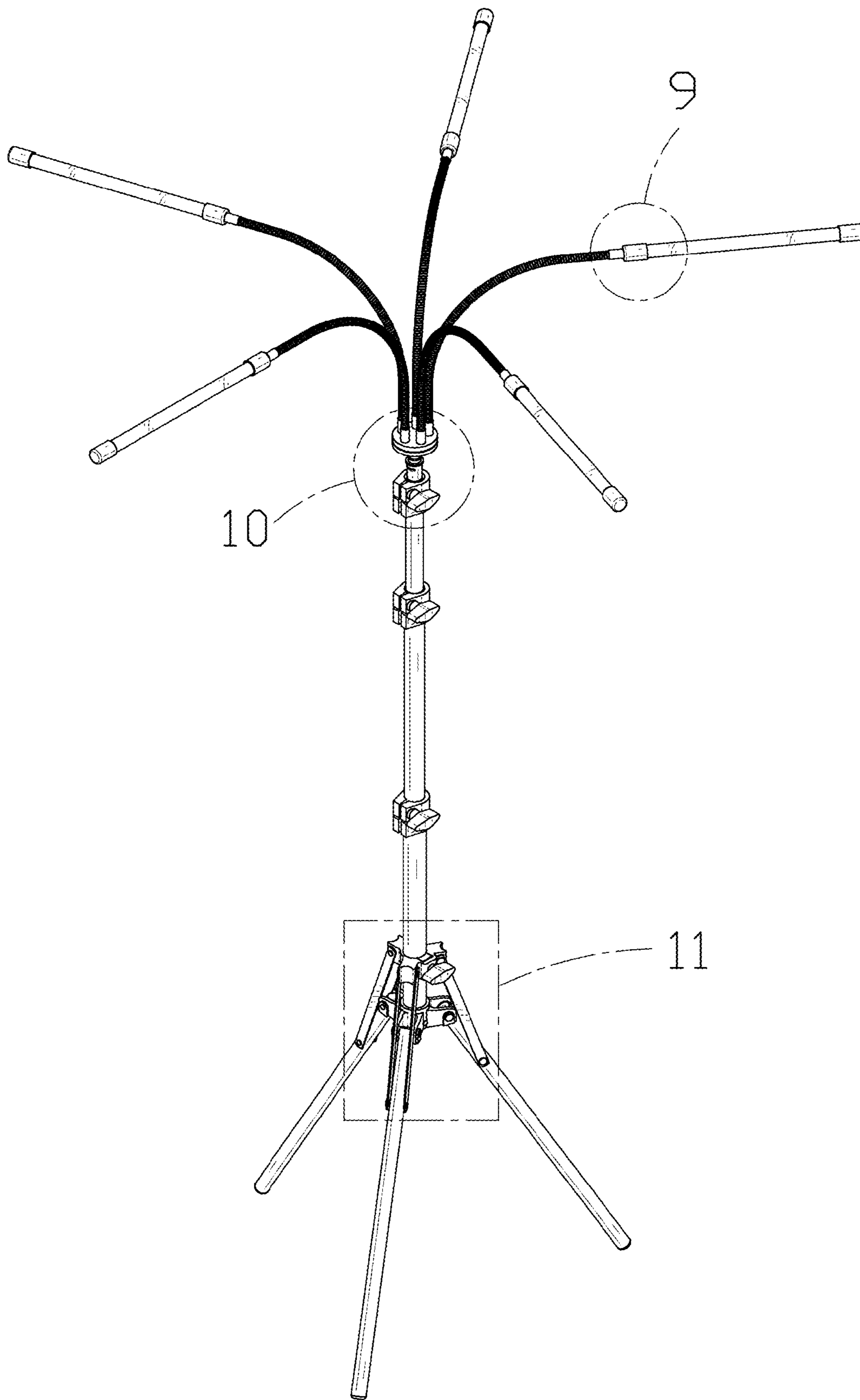


FIG. 1

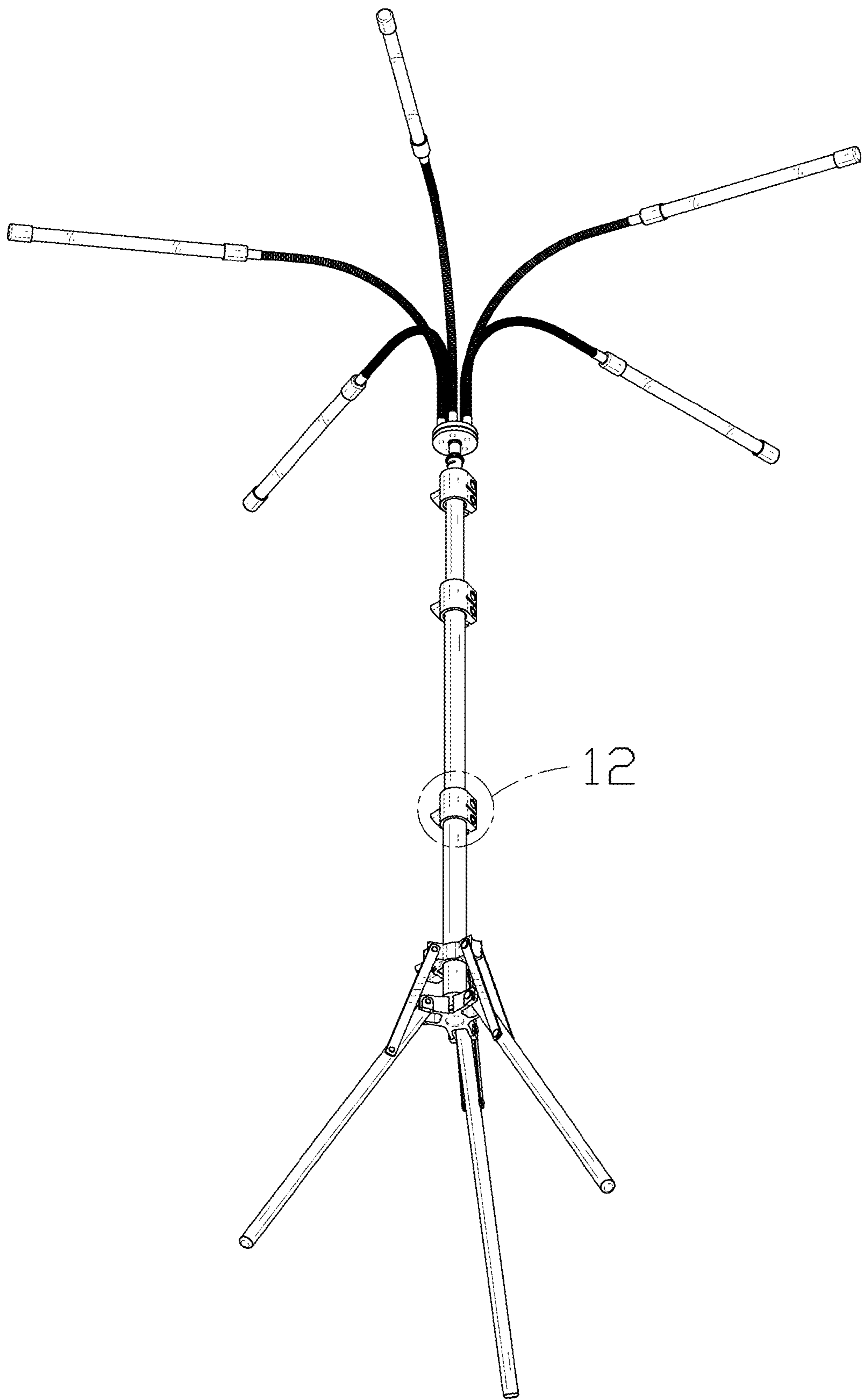


FIG. 2

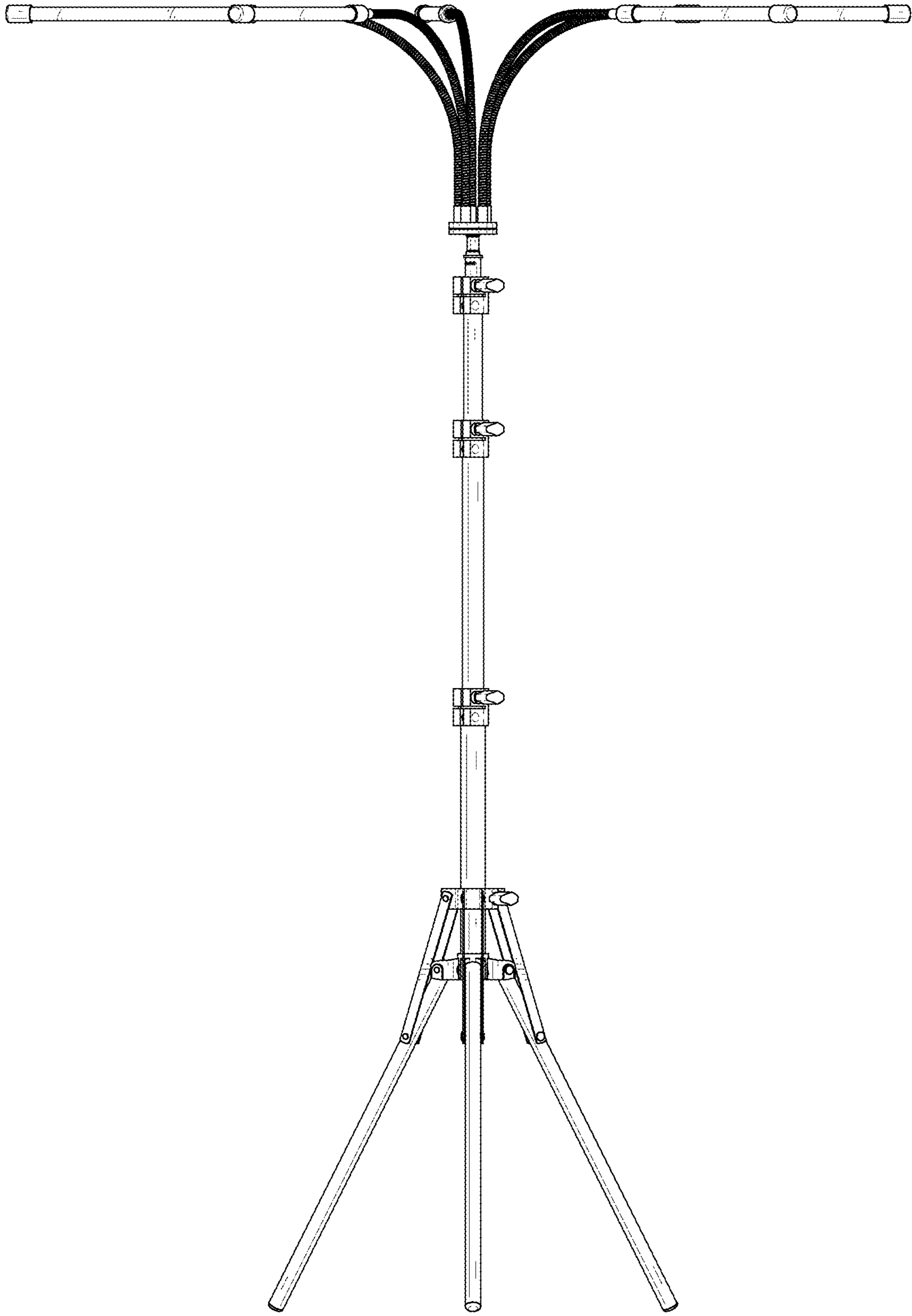


FIG. 3

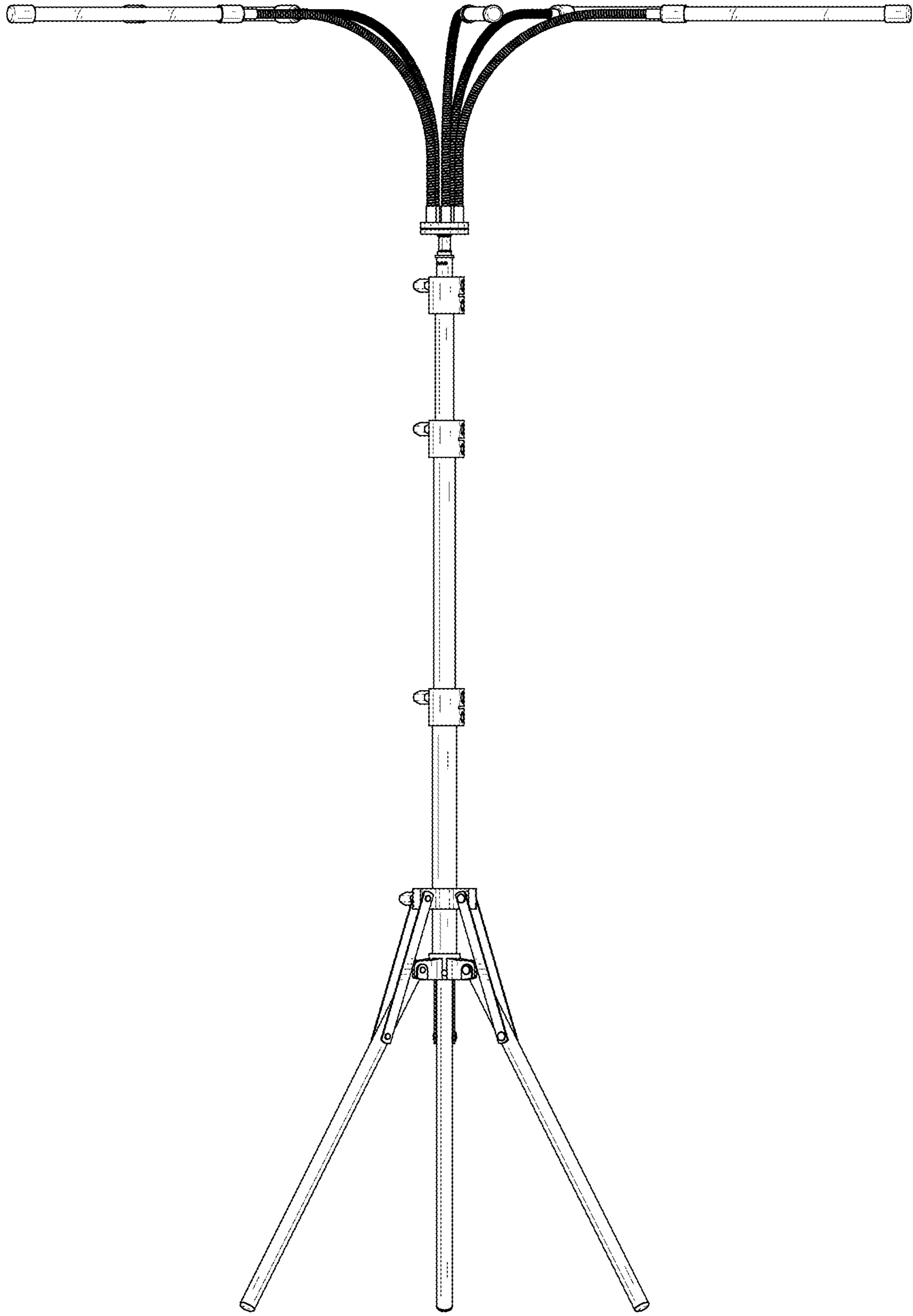


FIG. 4

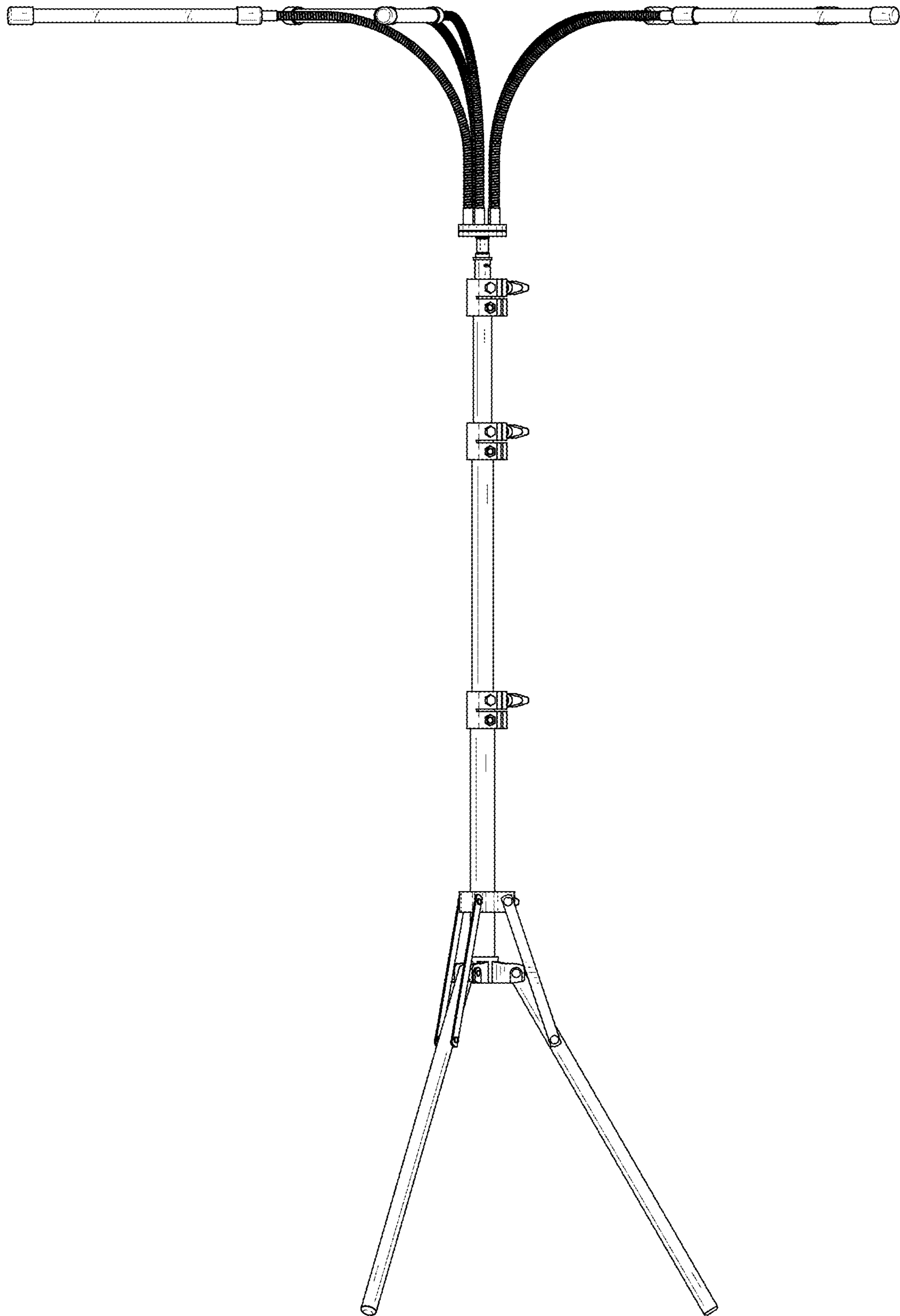


FIG. 5

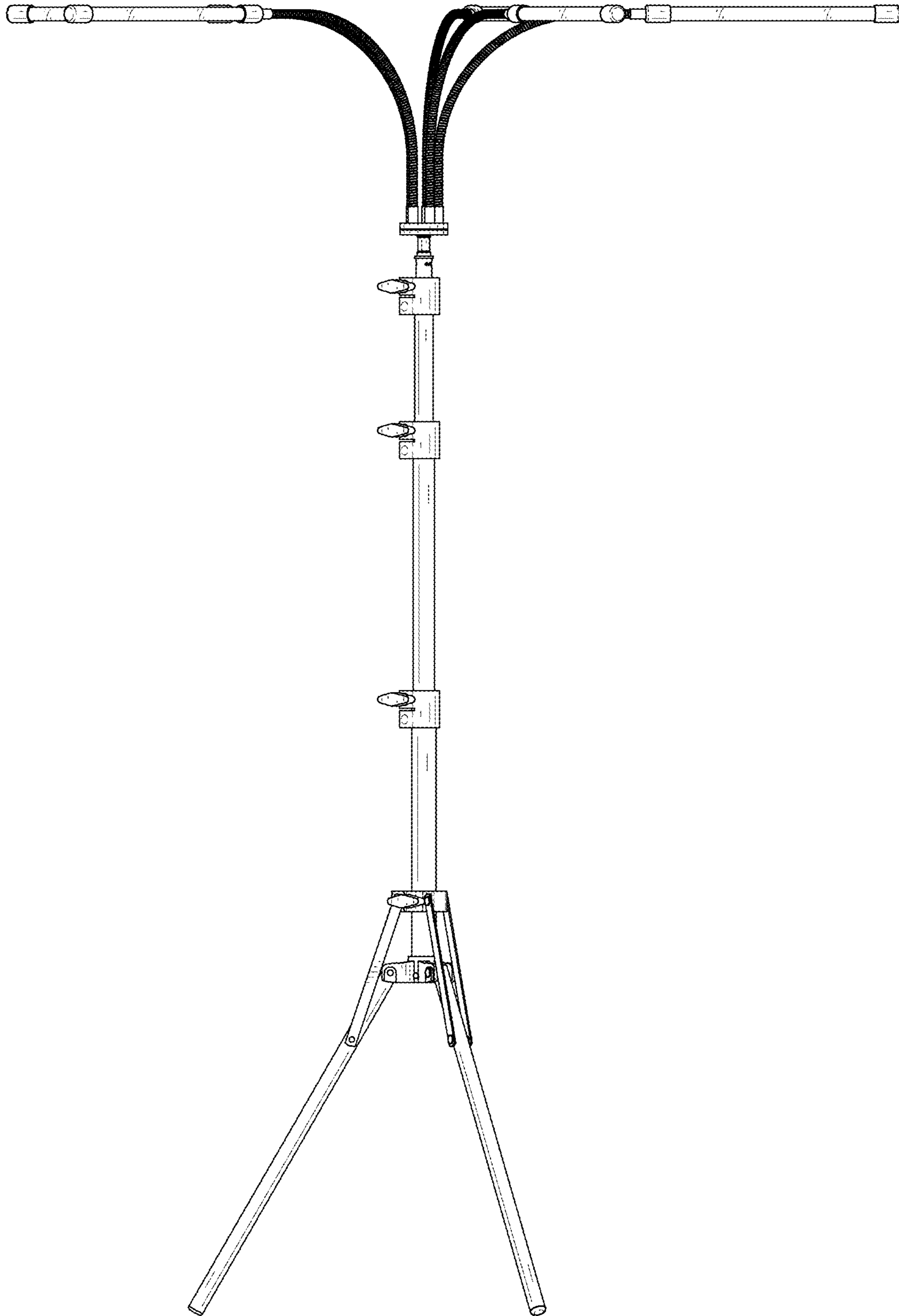


FIG. 6

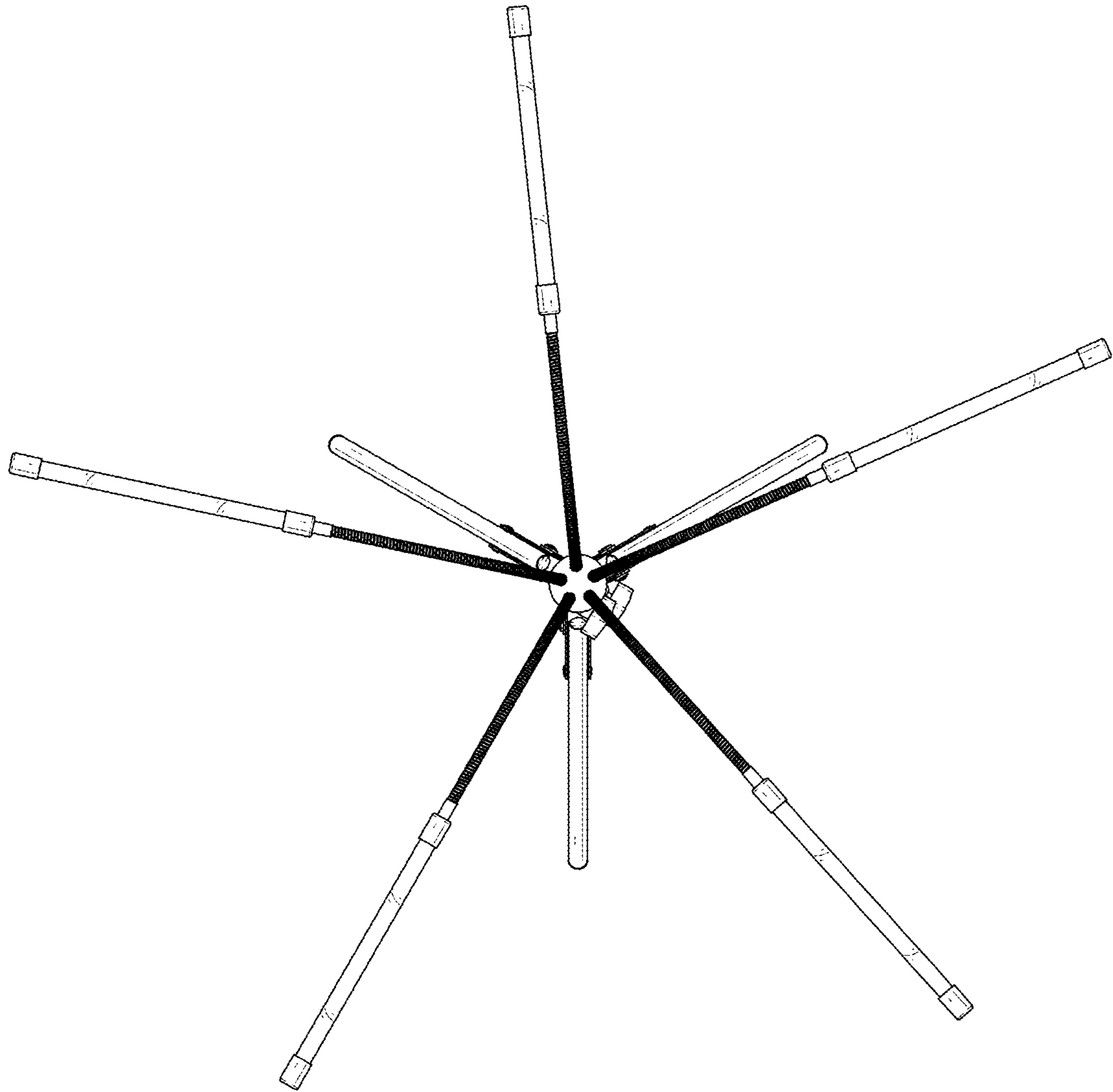


FIG. 7

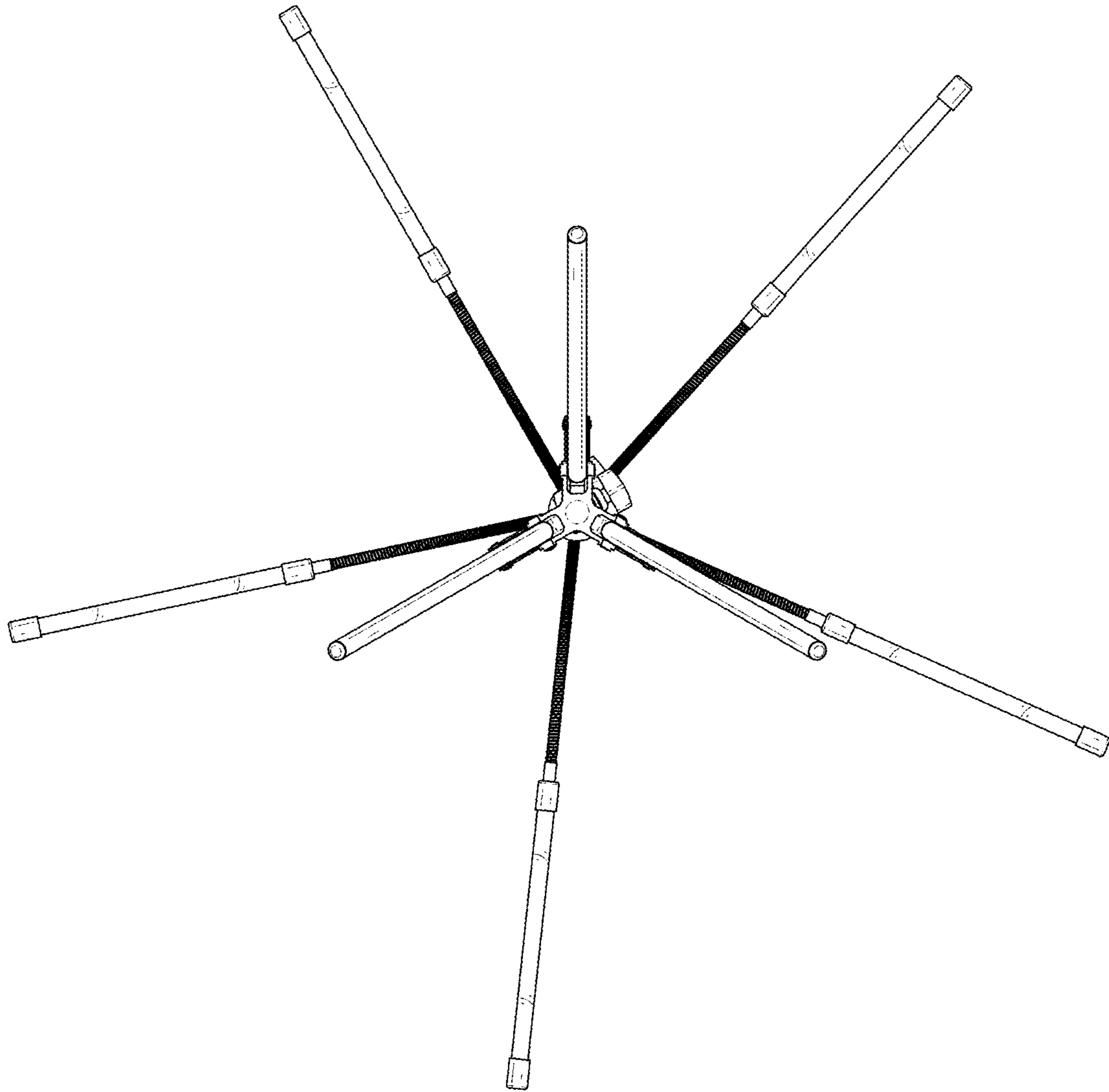


FIG. 8

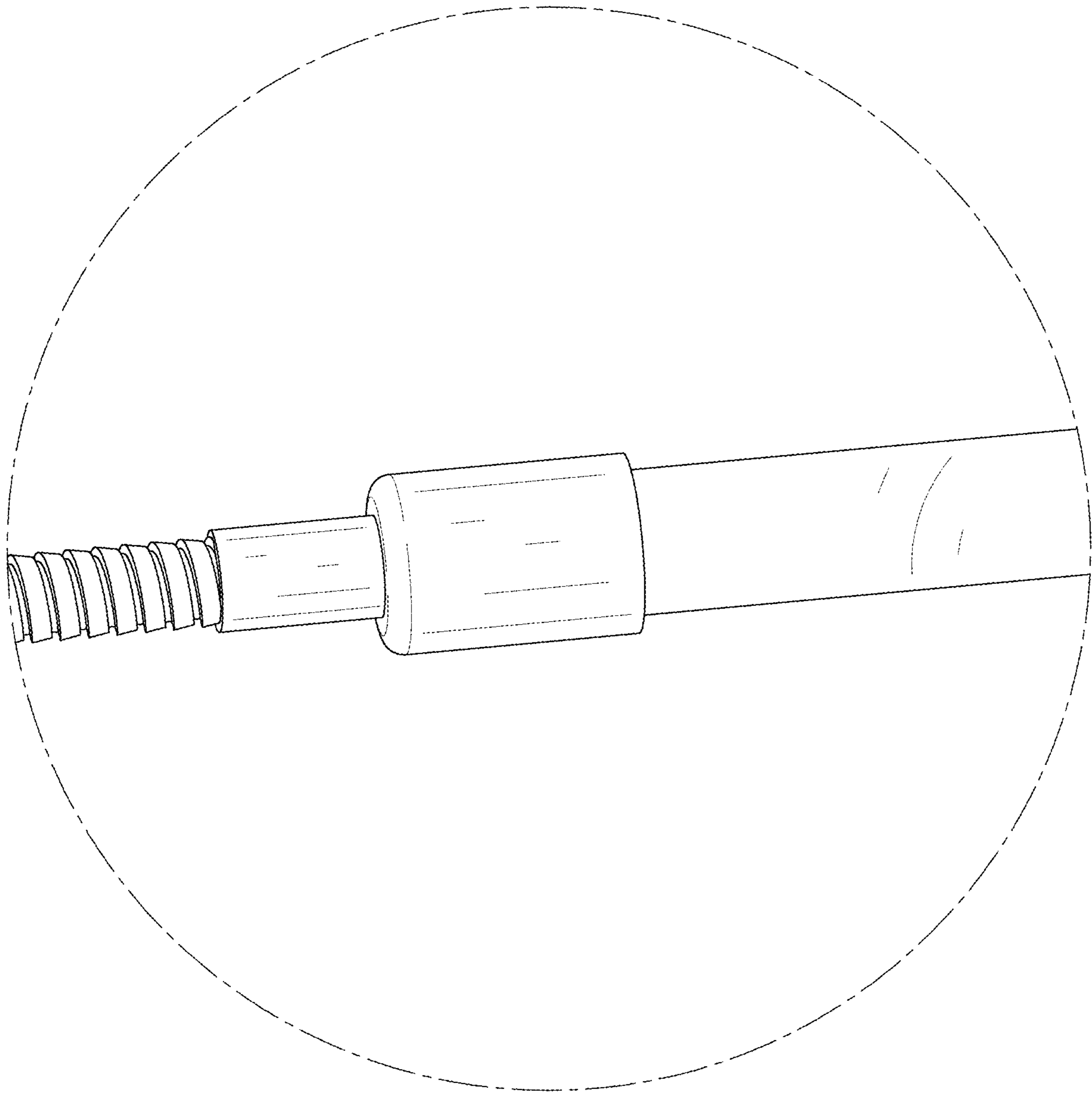


FIG. 9

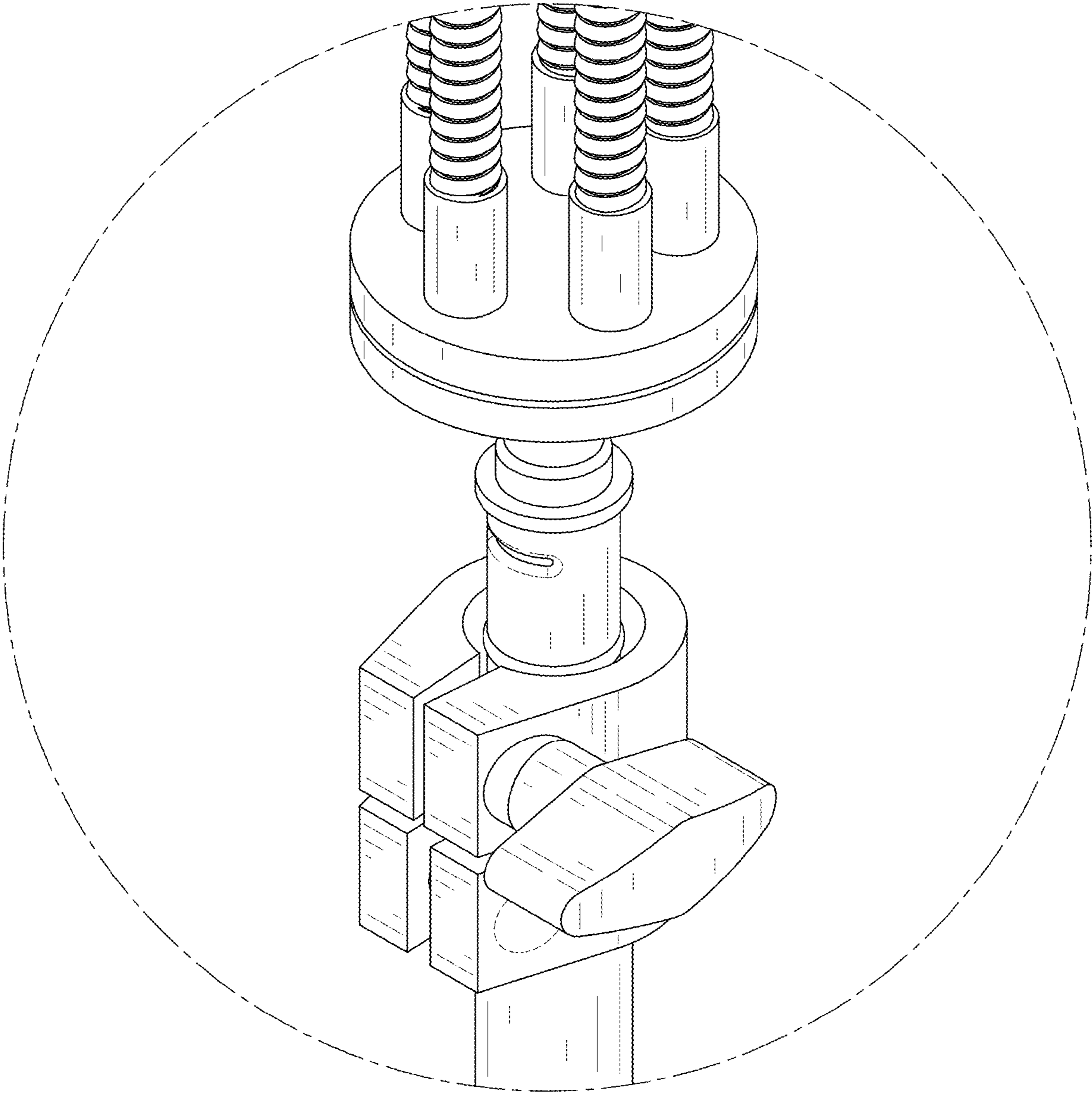


FIG. 10

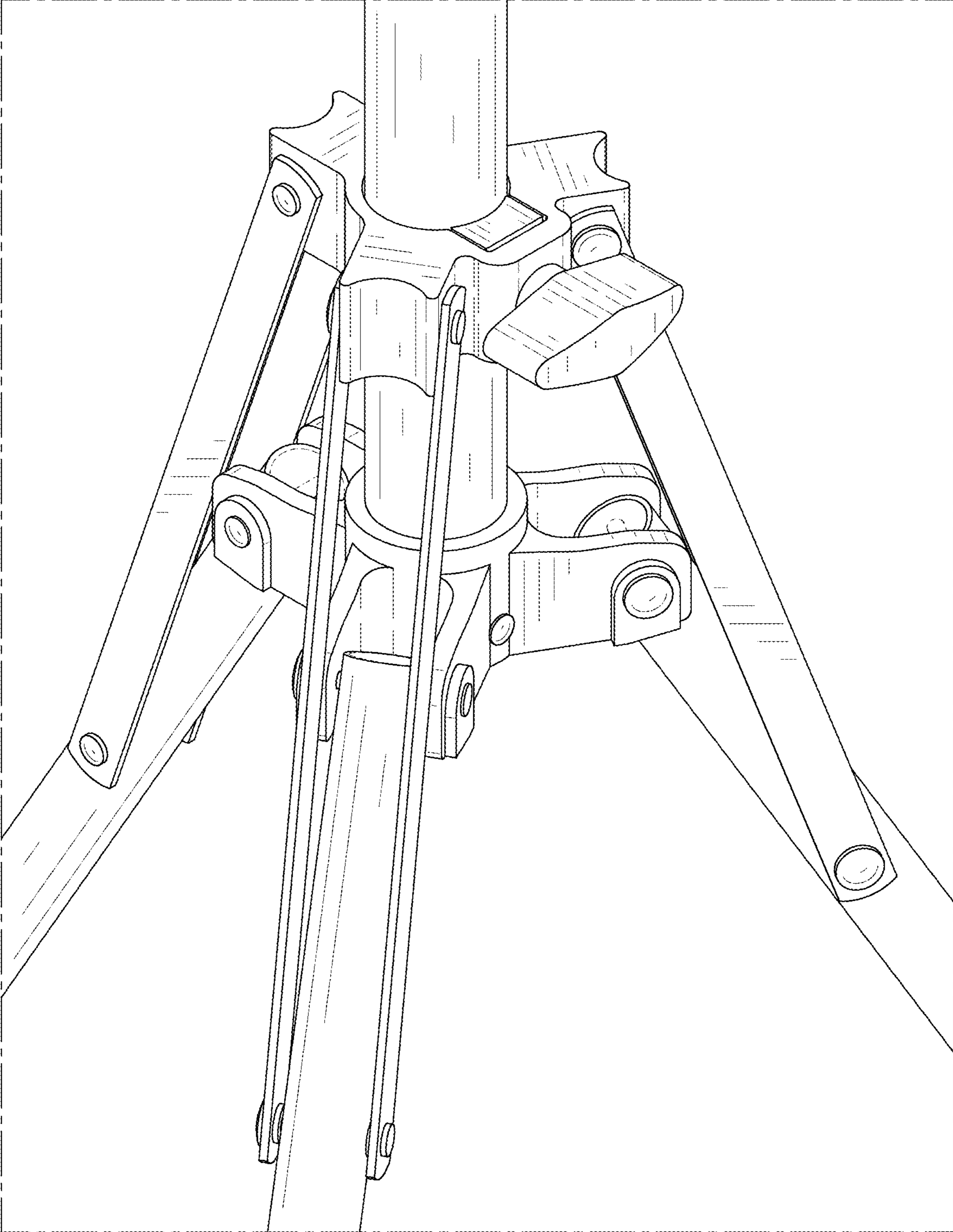


FIG. 11

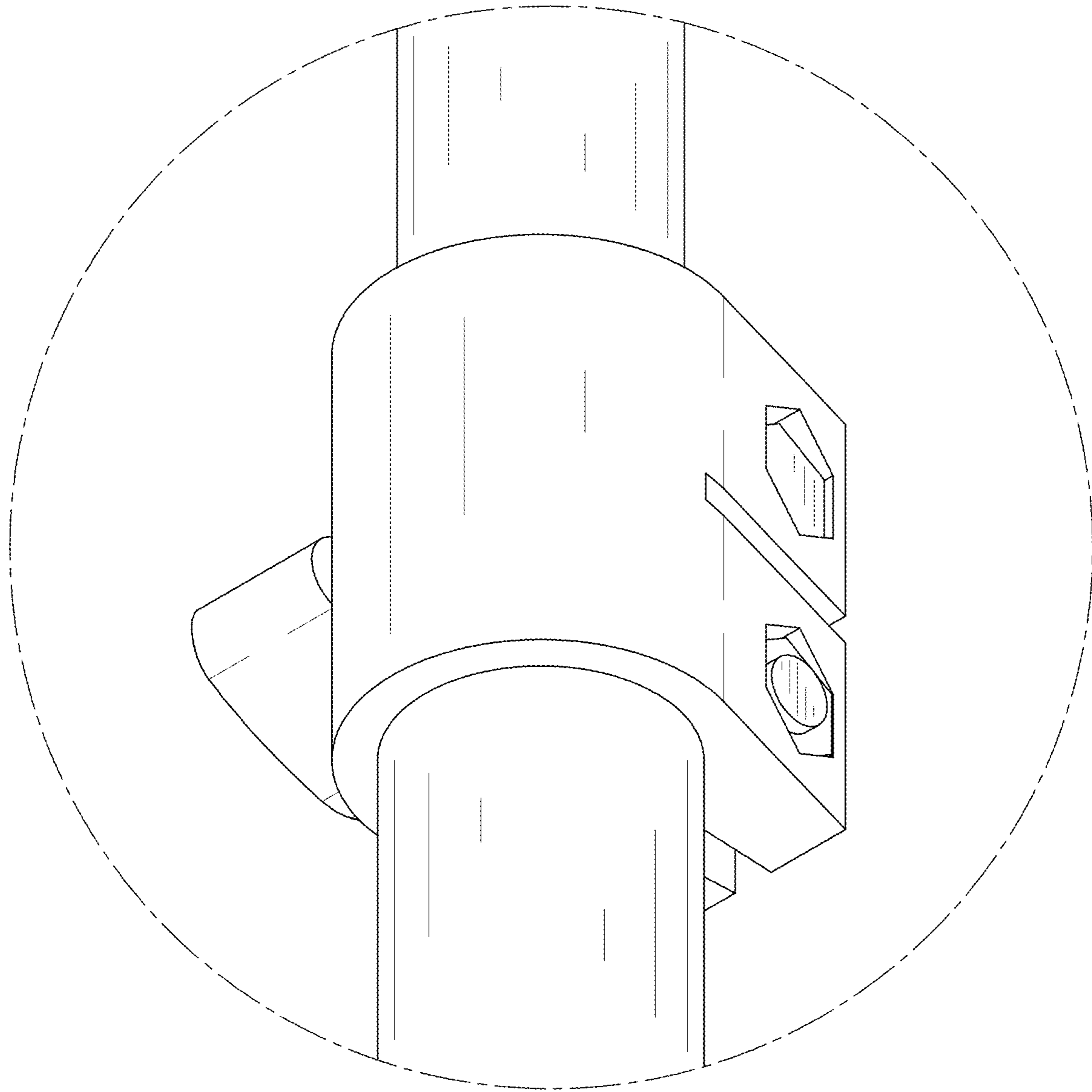


FIG. 12