



US00D952218S

(12) **United States Design Patent** (10) **Patent No.:** **US D952,218 S**
Qiu (45) **Date of Patent:** **** May 17, 2022**

(54) **MOTION SENSOR NIGHT LIGHT**
(71) Applicant: **Xiaofan Qiu**, Shenzhen (CN)
(72) Inventor: **Xiaofan Qiu**, Shenzhen (CN)
(**) Term: **15 Years**
(21) Appl. No.: **29/771,560**
(22) Filed: **Feb. 24, 2021**
(51) **LOC (13) Cl.** **26-05**
(52) **U.S. Cl.**
USPC **D26/60; D26/24; D26/26**
(58) **Field of Classification Search**
USPC D26/1, 24, 26, 60, 93, 104, 106, 110,
D26/118, 123, 124, 137; D14/172, 188,
D14/506, 507, 509
CPC F21S 6/00; F21S 6/002; F21S 6/003; F21S
6/006; F21S 8/00; F21S 8/02; F21S 8/03;
F21S 8/04; F21S 9/02; F21S 9/03; F21S
9/022; F21V 21/08; F21V 21/092; F21V
21/095; F21V 37/00; F21V 37/0095;
F21W 2131/30; F21W 2131/302
See application file for complete search history.

D851,807 S 6/2019 Liu
D870,952 S * 12/2019 Tan D26/85
D873,448 S * 1/2020 Zhang D26/26
D876,677 S * 2/2020 Chen D26/26
D892,363 S * 8/2020 Liu D26/24
D895,880 S 9/2020 Liu
D906,568 S * 12/2020 Wu D26/72
D906,569 S * 12/2020 Wu D26/72
D918,435 S * 5/2021 Liang D26/24
D918,436 S * 5/2021 Liang D26/24
D918,456 S * 5/2021 Hillyard D26/85
D921,954 S * 6/2021 Jiang D26/72
D924,464 S * 7/2021 Egbert D26/93
D927,765 S * 8/2021 Li D26/106
D942,653 S * 2/2022 Pan D26/26
D945,660 S * 3/2022 Pan D26/26
D946,811 S * 3/2022 Ye D26/104
2021/0148548 A1* 5/2021 Hou F21V 7/0008

* cited by examiner

Primary Examiner — Wan Laymon
Assistant Examiner — Clint A Samuel

(57) **CLAIM**

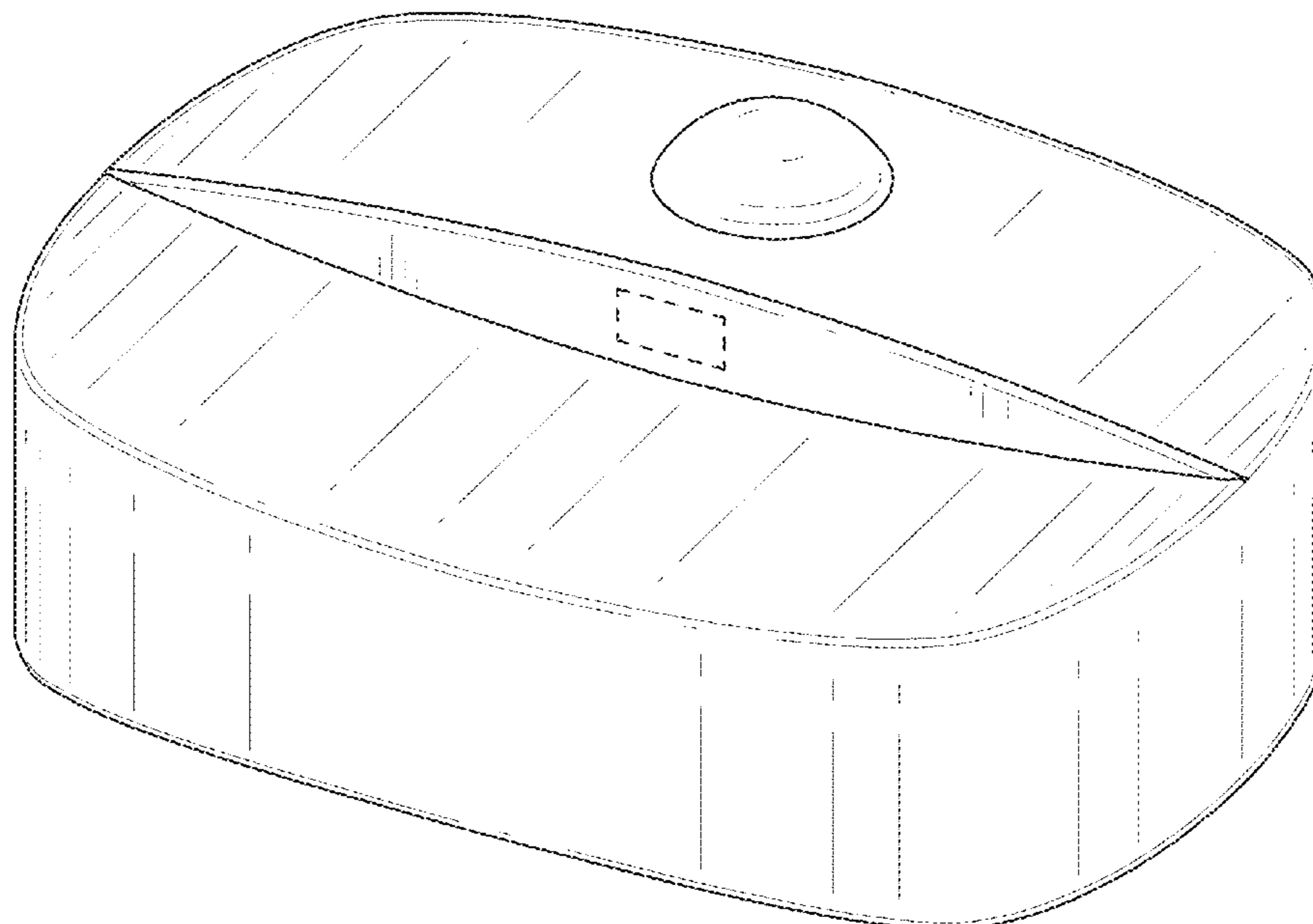
The ornamental design for a motion sensor night light, as shown and described.

DESCRIPTION

FIG. 1 is a perspective view of a motion sensor night light showing my new design;
FIG. 2 is a front view thereof;
FIG. 3 is a back view thereof;
FIG. 4 is a left side view thereof;
FIG. 5 is a right side view thereof;
FIG. 6 is a top view thereof; and,
FIG. 7 is a bottom view thereof.
The broken line showing of the motion sensor night light is for the purpose of illustrating article and forms no part of the claimed design.

1 Claim, 7 Drawing Sheets

(56) **References Cited**
U.S. PATENT DOCUMENTS
D412,040 S * 7/1999 Hudak D26/85
D468,050 S * 12/2002 Poon D26/104
D564,697 S * 3/2008 Akinrele D26/118
D569,030 S * 5/2008 Lee D26/85
D595,884 S * 7/2009 Liao D26/60
D612,522 S * 3/2010 Howard D26/26
D617,491 S * 6/2010 Dordoni D26/85
D617,492 S * 6/2010 Dordoni D26/85
D791,374 S * 7/2017 Liang D26/24
D810,969 S 2/2018 Chien
D830,607 S * 10/2018 Recker D26/85



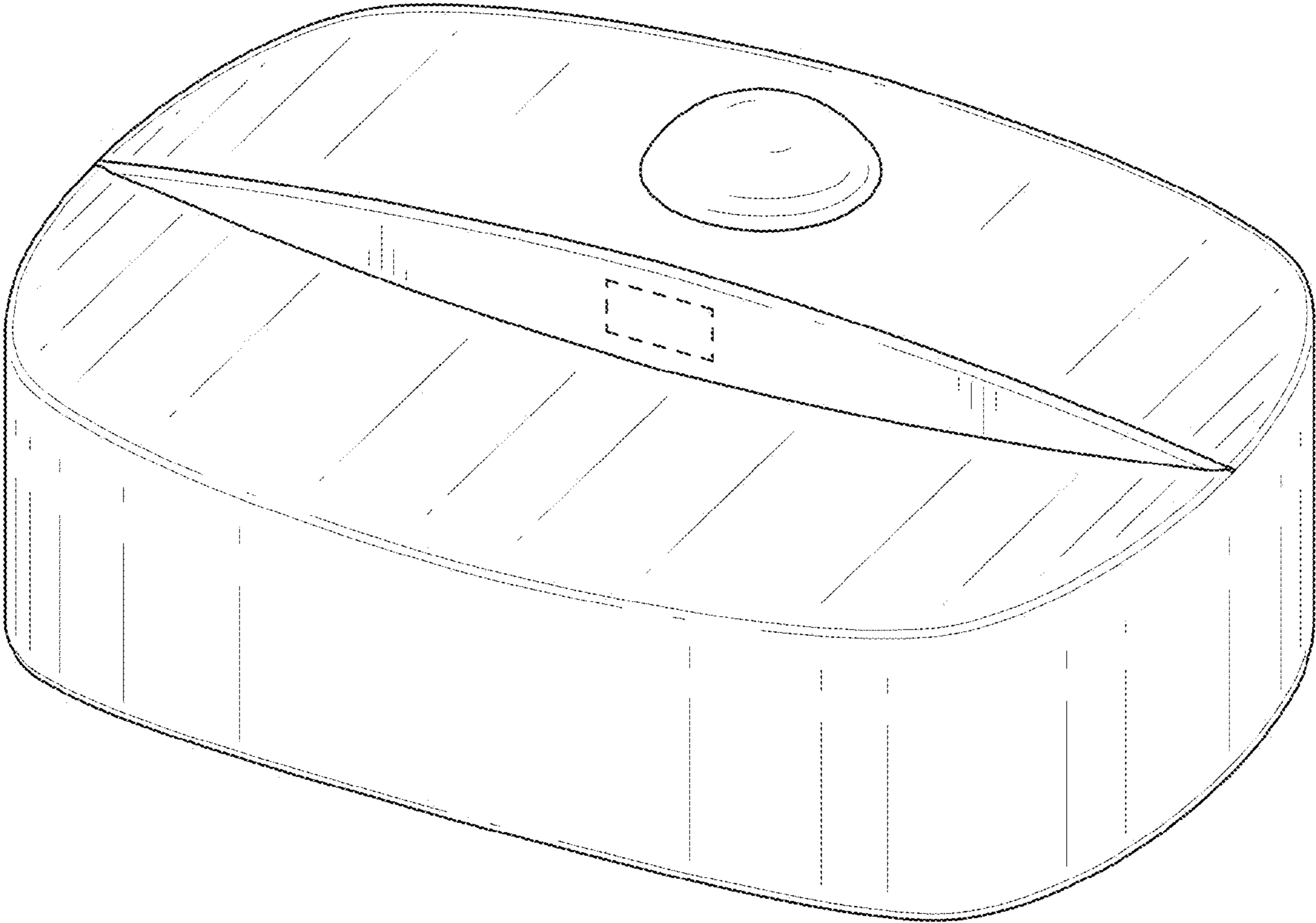


FIG.1

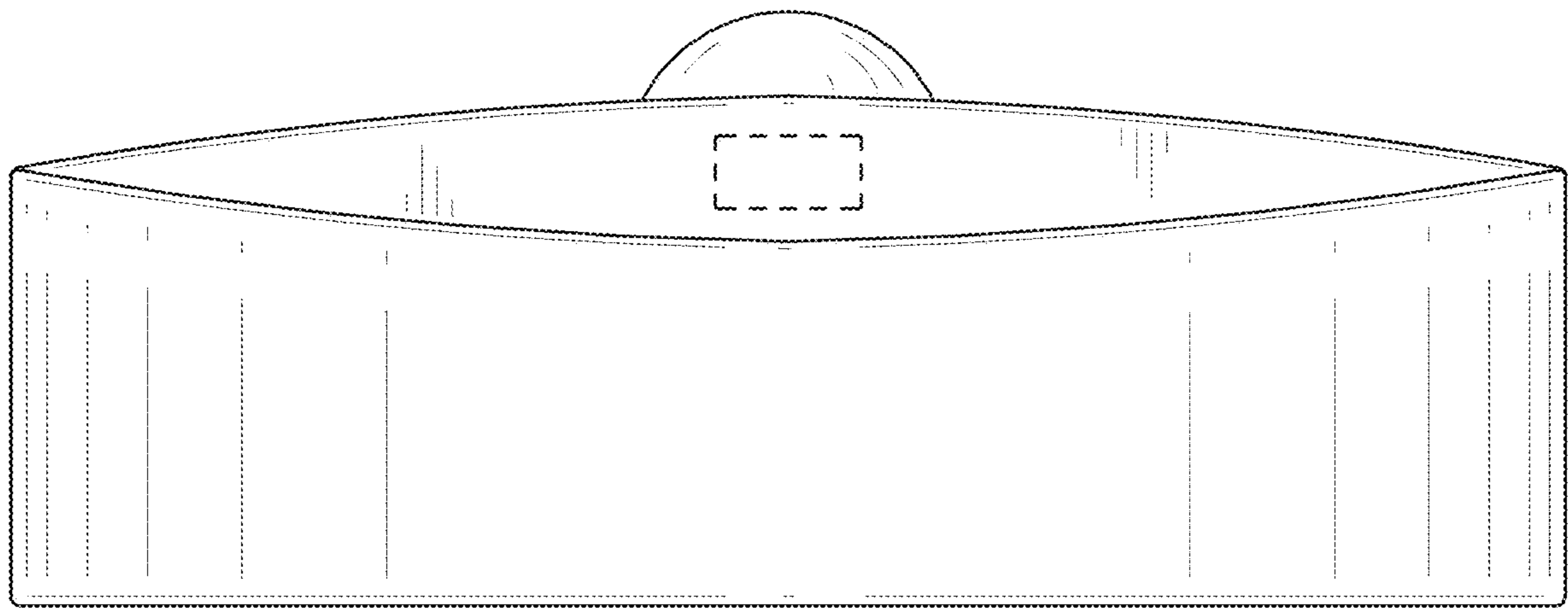


FIG.2

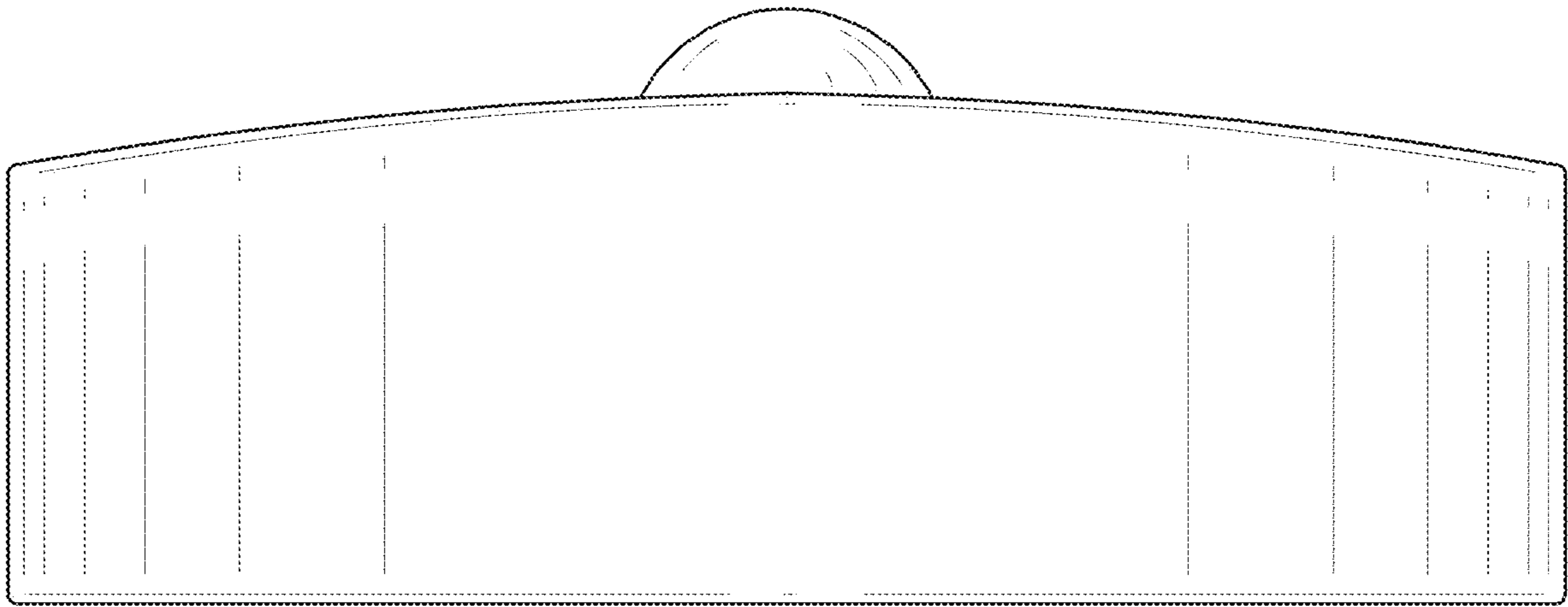


FIG.3

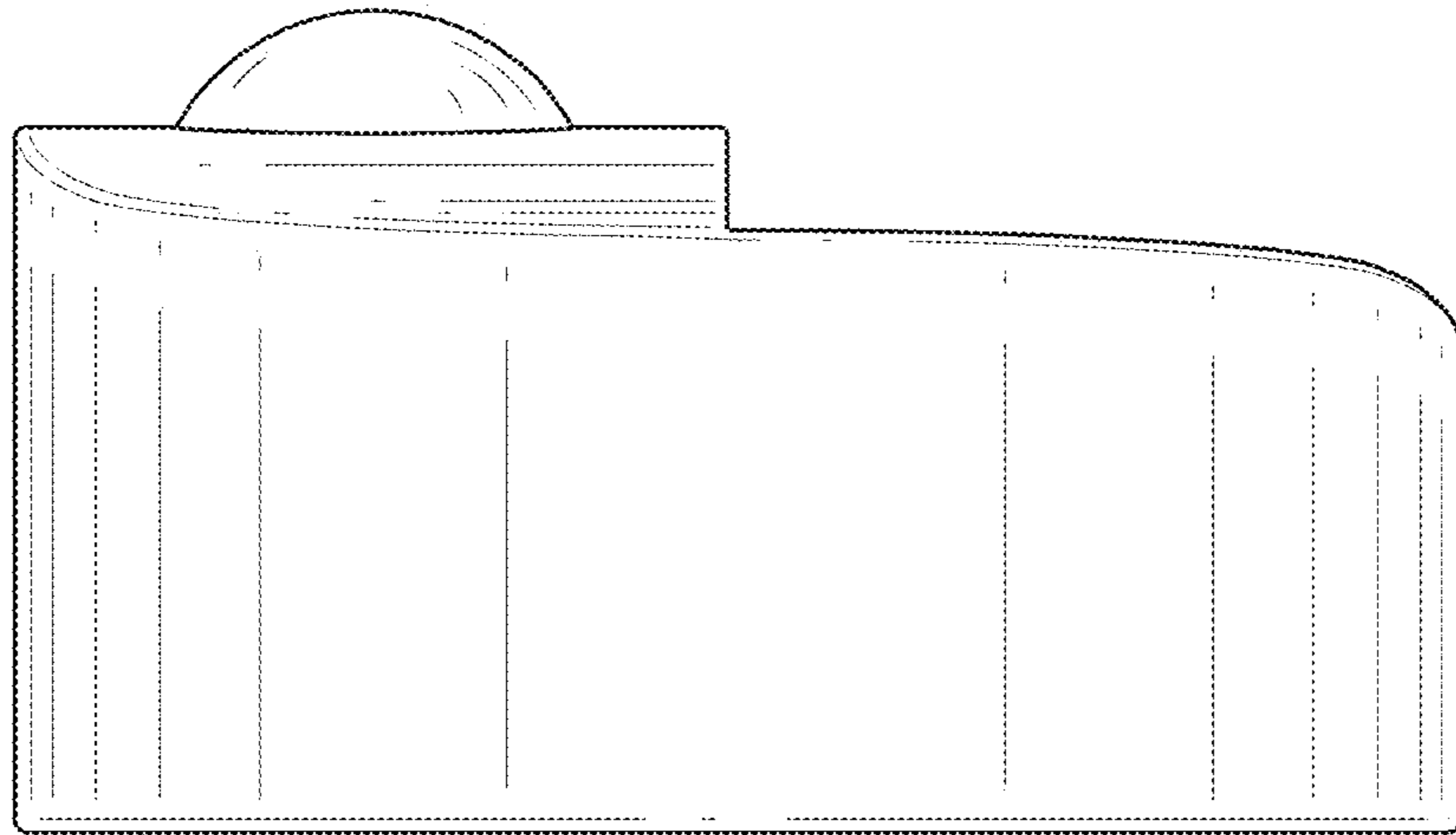


FIG.4

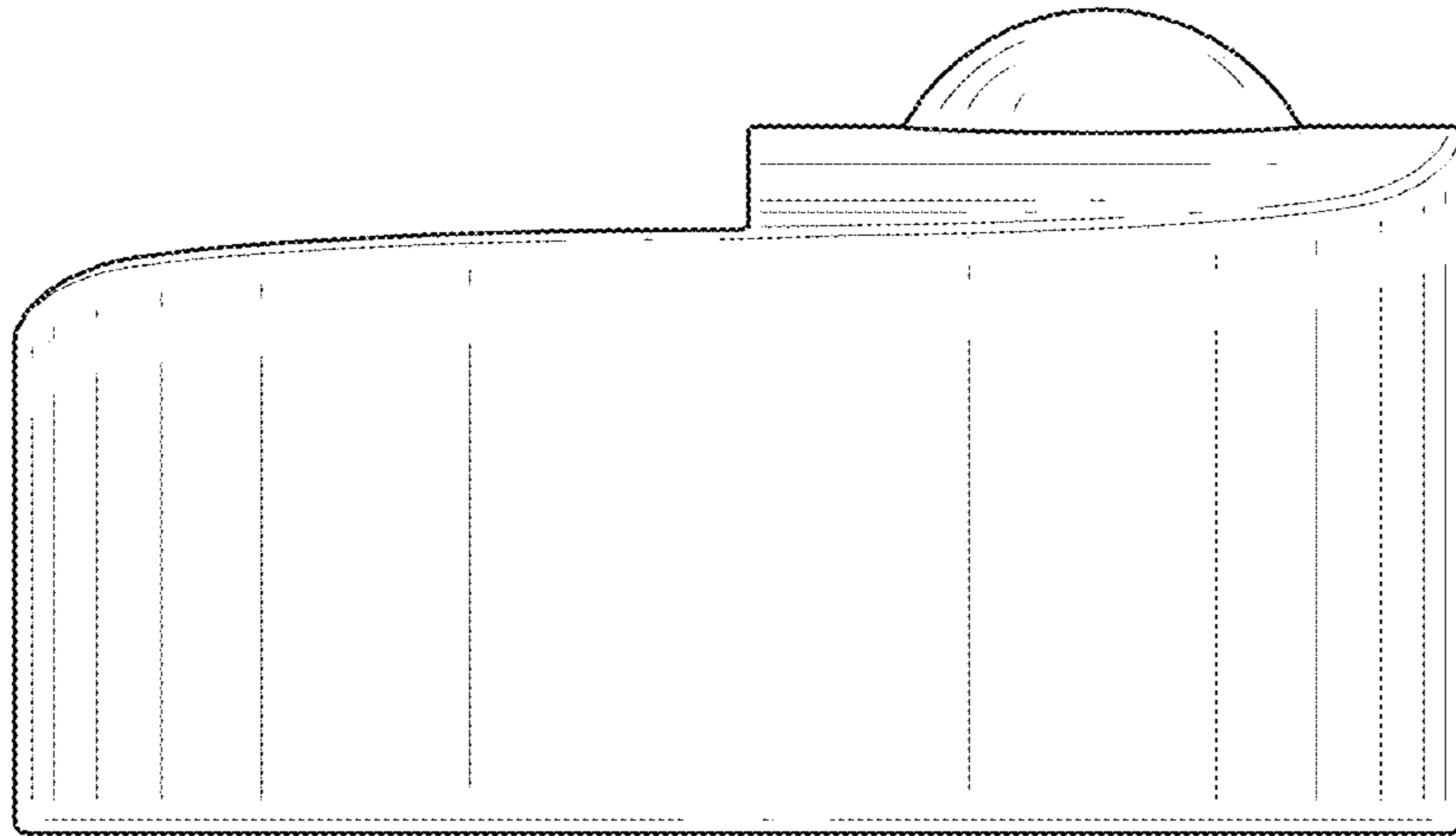


FIG.5

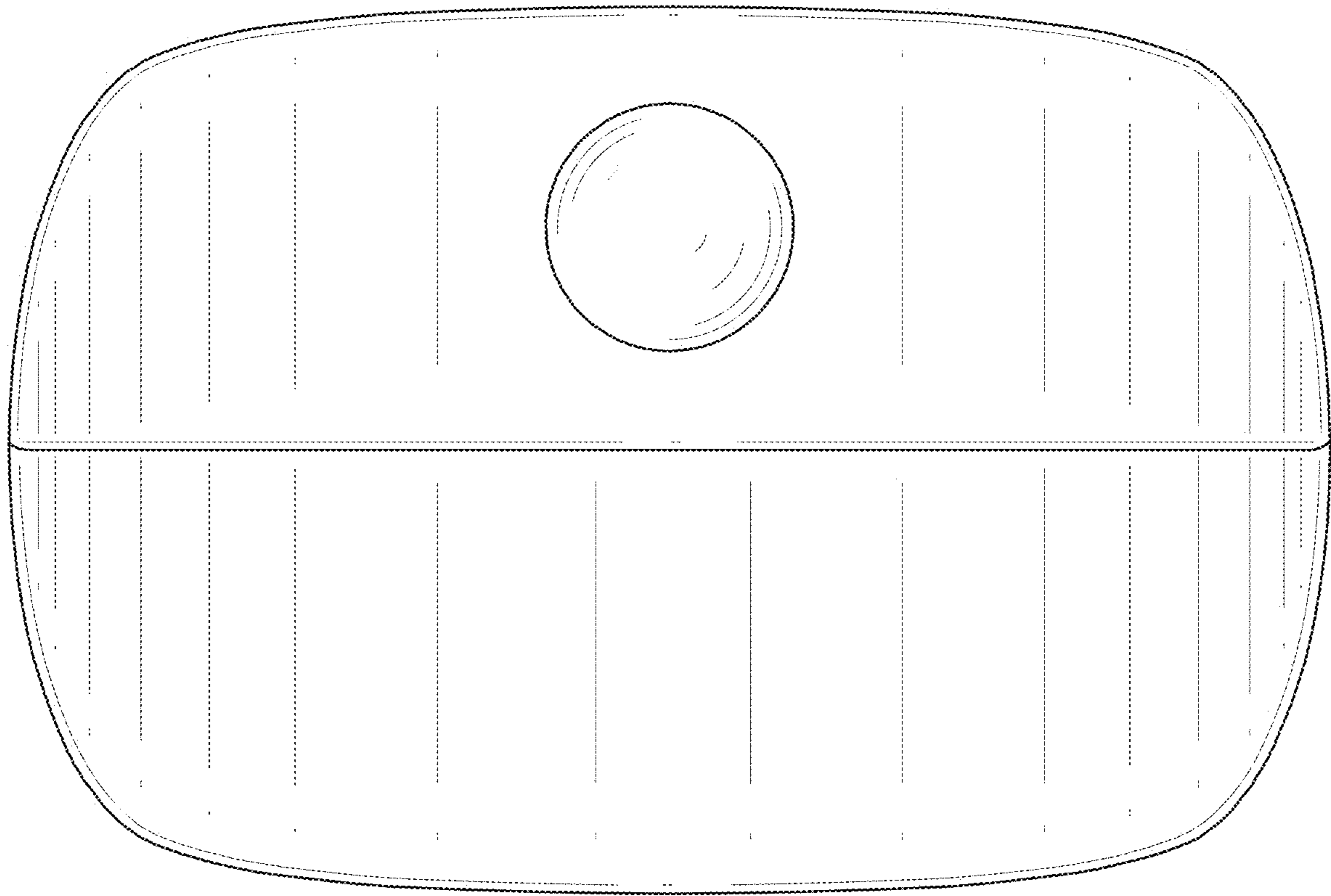


FIG.6

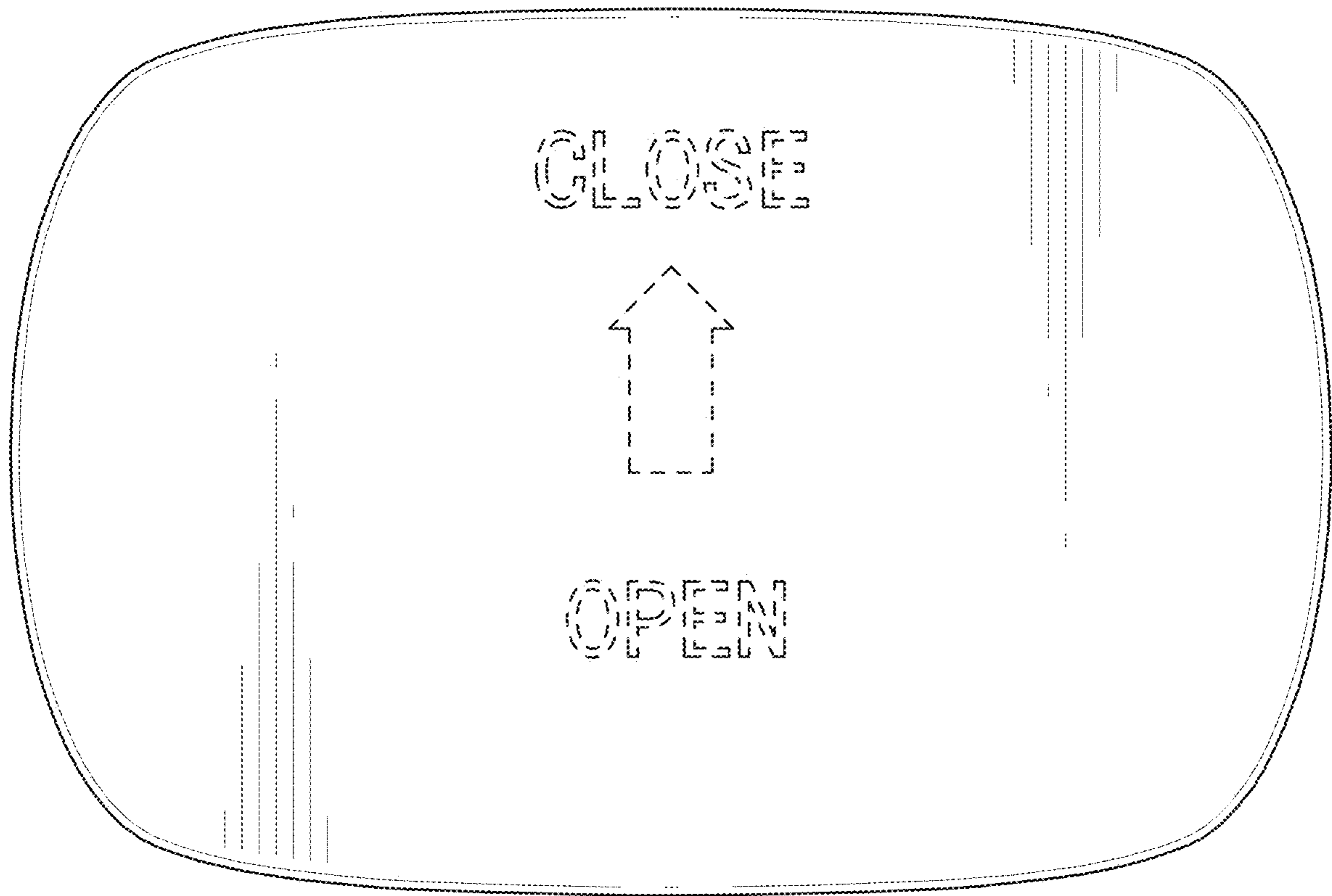


FIG.7