



US00D952217S

(12) **United States Design Patent** (10) **Patent No.:** **US D952,217 S**  
**Yi** (45) **Date of Patent:** **\*\* May 17, 2022**

(54) **NIGHT LIGHT**

(71) Applicant: **Shenzhen Flashine Lighting Co., LTD.**, Shenzhen (CN)

(72) Inventor: **Shenhui Yi**, Shenzhen (CN)

(73) Assignee: **SHENZHEN FLASHINE LIGHTING CO., LTD.**, Shenzhen (CN)

(\*\*) Term: **15 Years**

(21) Appl. No.: **29/745,404**

(22) Filed: **Aug. 5, 2020**

(30) **Foreign Application Priority Data**

May 27, 2020 (CN) ..... 202030253178.3

(51) **LOC (13) Cl.** ..... **26-05**

(52) **U.S. Cl.**  
USPC ..... **D26/52; D14/204**

(58) **Field of Classification Search**  
USPC ..... D26/24, 26, 37-52, 60, 93, 104-106,  
D26/113, 118-119, 138; D14/172, 194,  
D14/204, 216, 221

CPC ..... F21Y 2115/10; F21S 8/035; F21S 9/02;  
F21S 9/022; F21S 6/003; F21S 8/024;  
F21S 8/03; F21S 10/00; F21V 33/0052;  
F21V 15/01; F21V 33/0056; F21V 33/00;  
F21V 23/0414

See application file for complete search history.

(56) **References Cited**

**U.S. PATENT DOCUMENTS**

D633,231 S \* 2/2011 Morrison ..... D26/24  
D720,090 S \* 12/2014 Toomey ..... D26/24

D782,441 S \* 3/2017 Morrison ..... D14/204  
D791,374 S \* 7/2017 Liang ..... D26/24  
D810,970 S \* 2/2018 Thompson ..... D26/26  
D852,402 S \* 6/2019 Zhu ..... D26/89  
D858,463 S \* 9/2019 Nien ..... D13/168  
D866,815 S \* 11/2019 Wang ..... D26/24  
D878,639 S \* 3/2020 Luo ..... D26/24  
D883,329 S \* 5/2020 Shi ..... D14/496  
D888,688 S \* 6/2020 Xie ..... D14/216  
D889,012 S \* 6/2020 Lin ..... D26/51  
D891,962 S \* 8/2020 Siminoff ..... D10/106.5  
D900,353 S \* 10/2020 Yi ..... D26/24  
D907,281 S \* 1/2021 Wu ..... D26/104  
D918,436 S \* 5/2021 Liang ..... D26/24  
D933,040 S \* 10/2021 Lin ..... D14/204

\* cited by examiner

*Primary Examiner* — Marissa J Cash

*Assistant Examiner* — William B Melliar

(74) *Attorney, Agent, or Firm* — Cheng-Ju Chiang

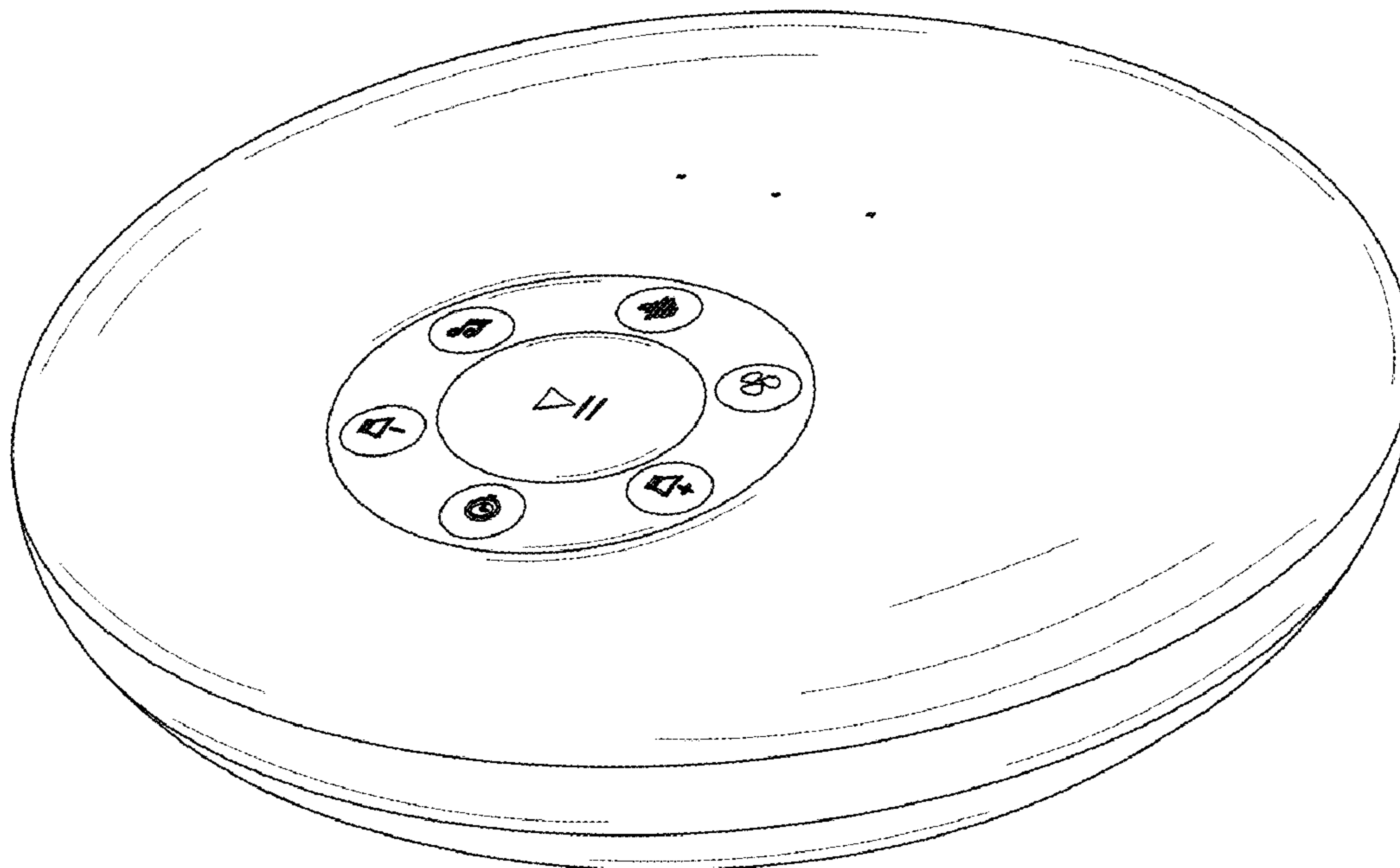
(57) **CLAIM**

The ornamental design for a night light, as shown and described.

**DESCRIPTION**

FIG. 1 is a front elevational view of a night light showing my new design;  
FIG. 2 is a rear elevational view thereof;  
FIG. 3 is a left side elevational view thereof;  
FIG. 4 is a right side elevational view thereof;  
FIG. 5 is a top plan view thereof;  
FIG. 6 is a bottom plan view thereof;  
FIG. 7 is a first perspective view thereof shown; and,  
FIG. 8 is a second perspective view thereof shown.

**1 Claim, 5 Drawing Sheets**



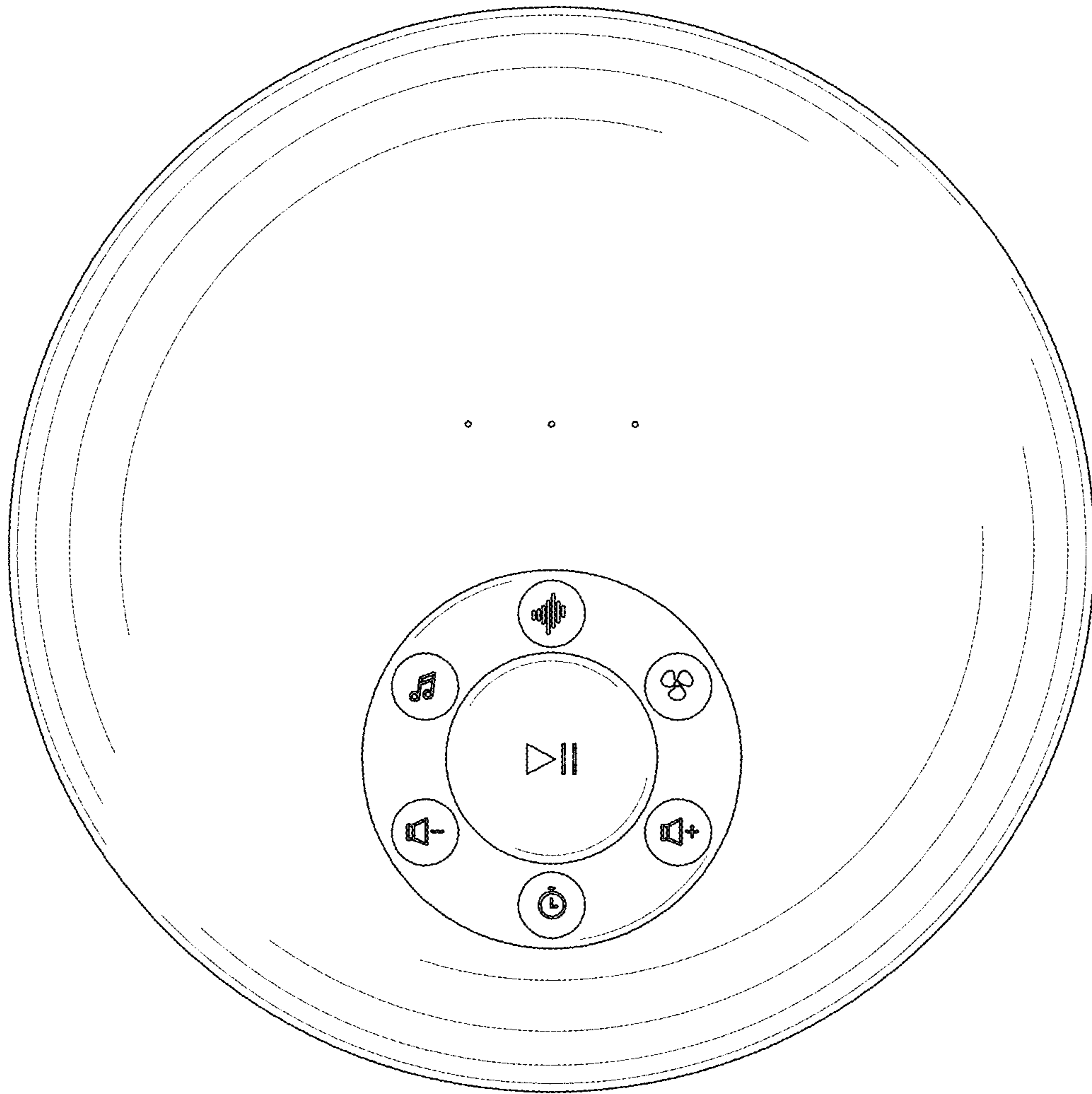
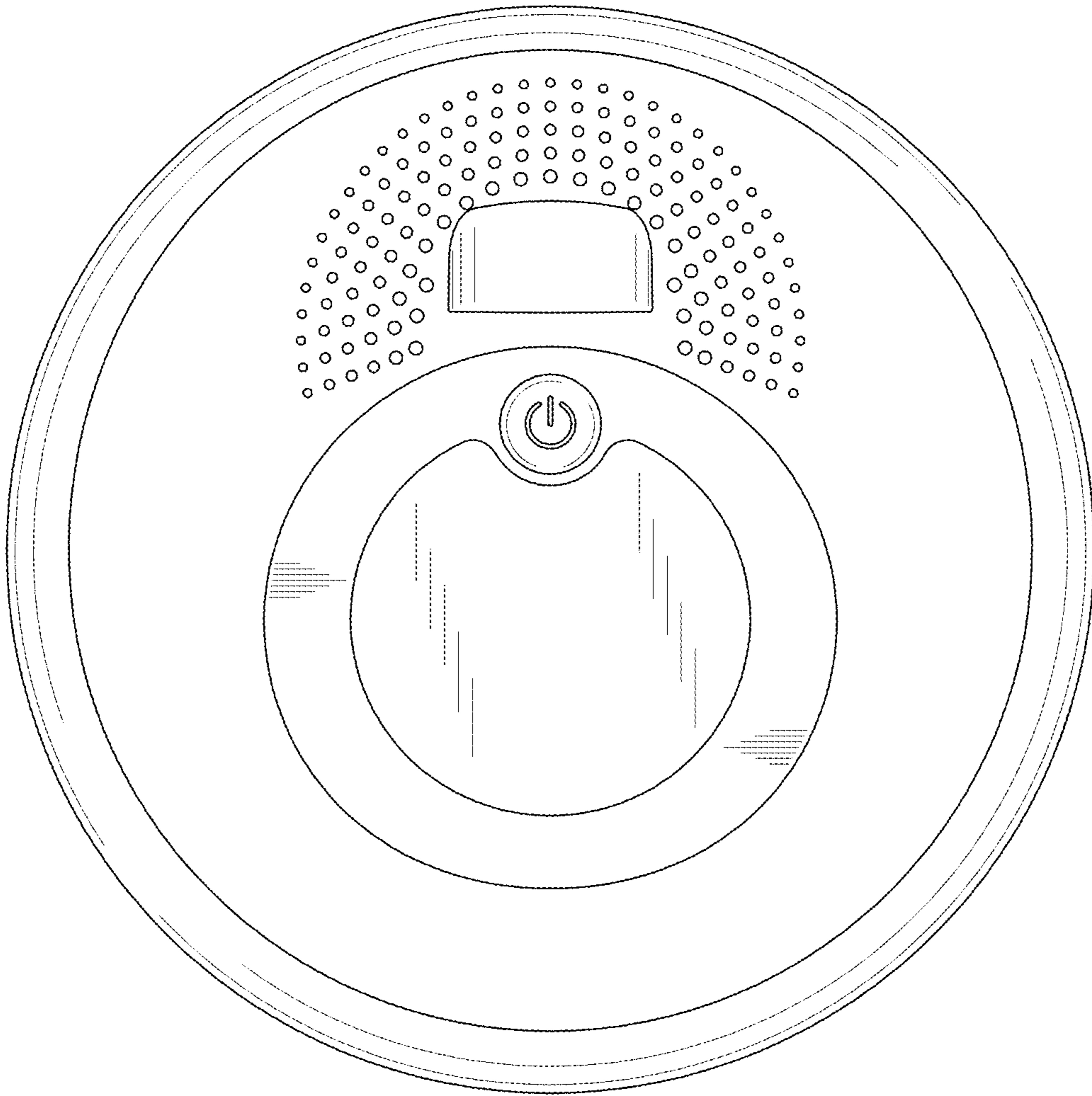
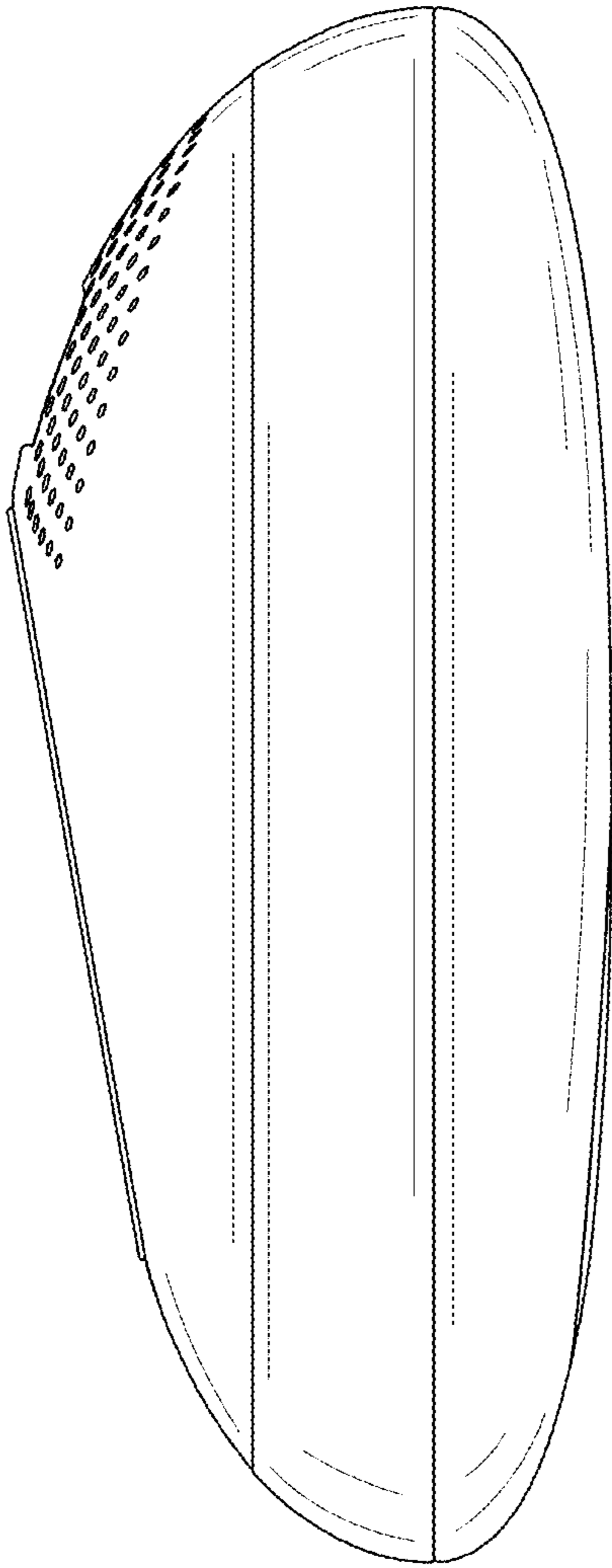


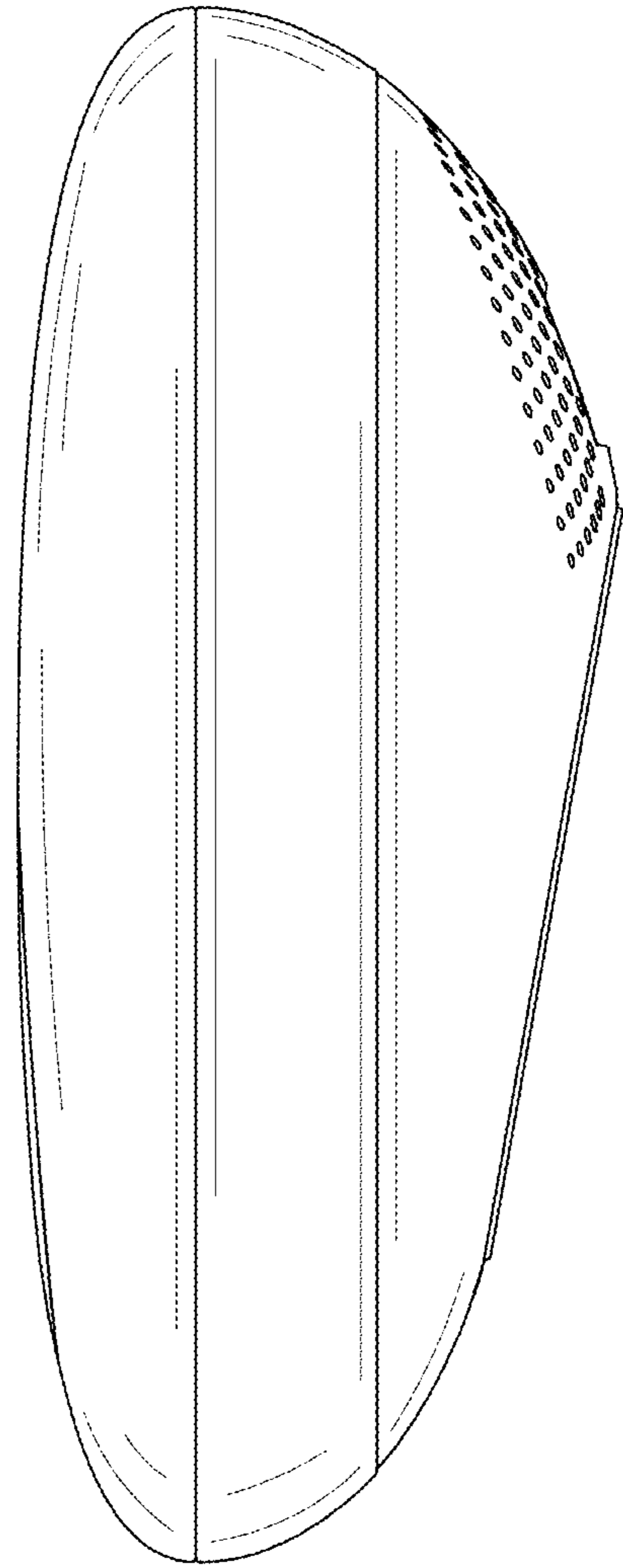
FIG.1



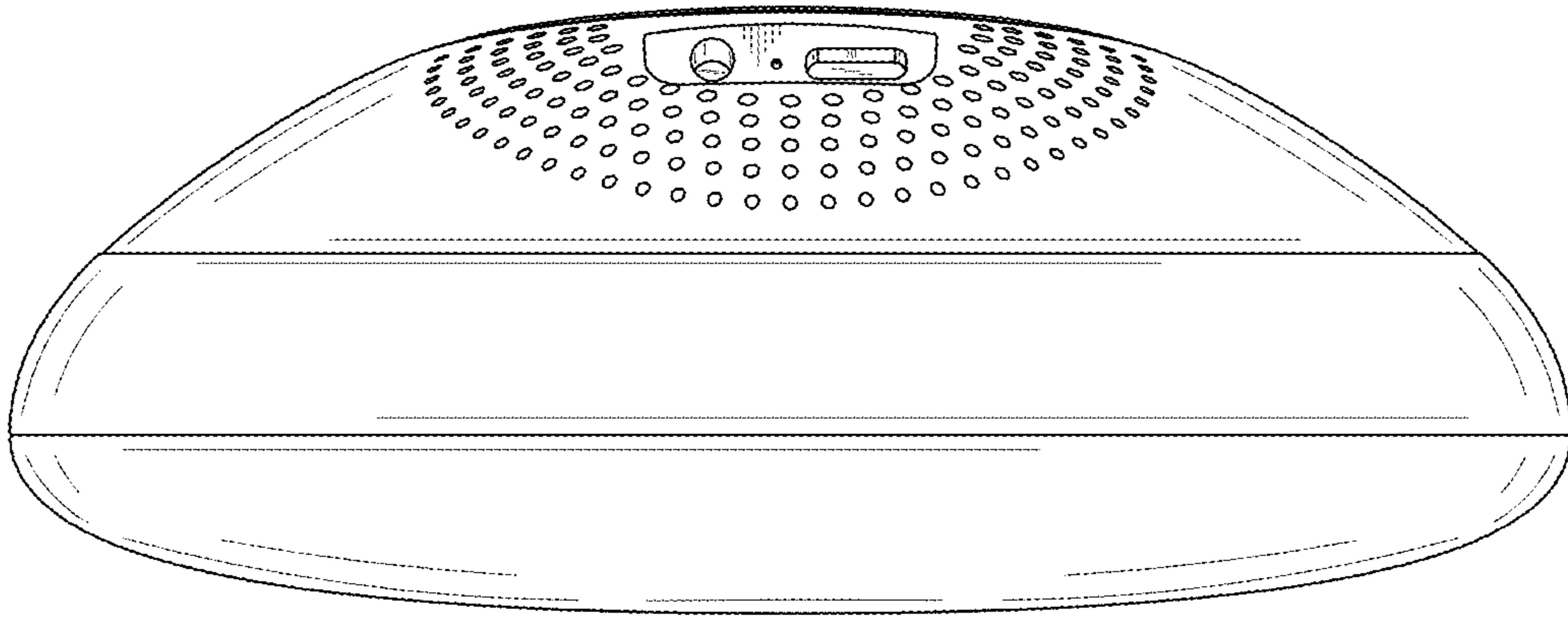
**FIG.2**



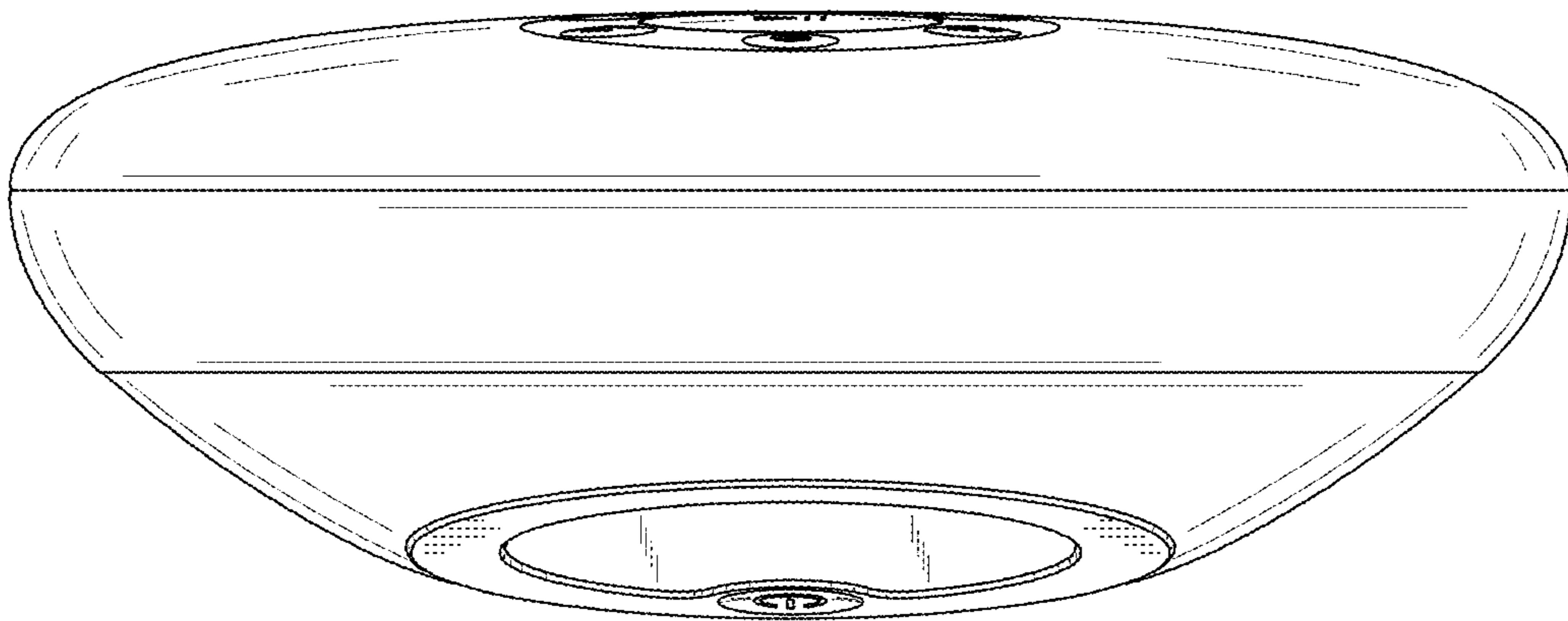
**FIG.3**



**FIG.4**



**FIG.5**



**FIG.6**

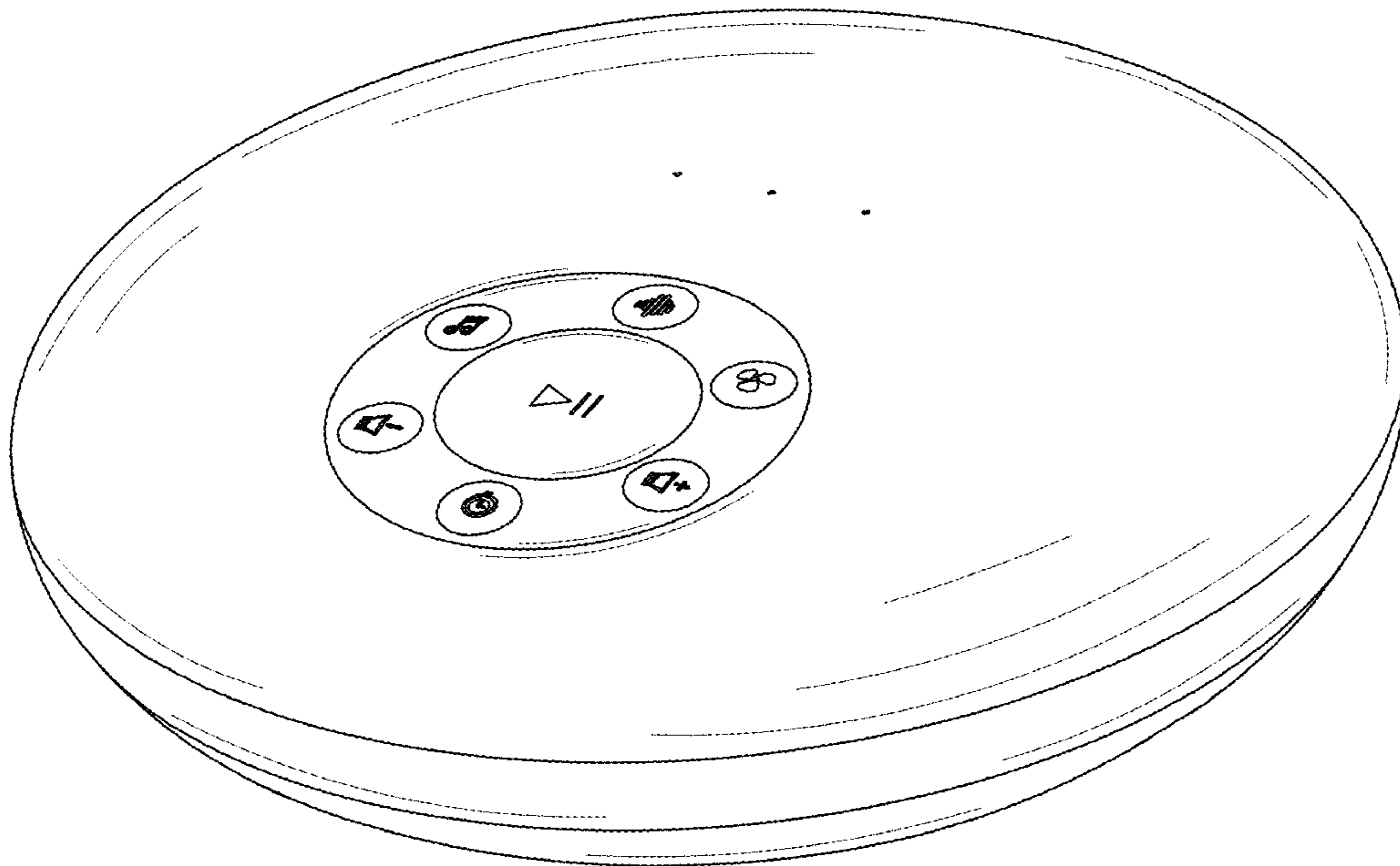


FIG. 7

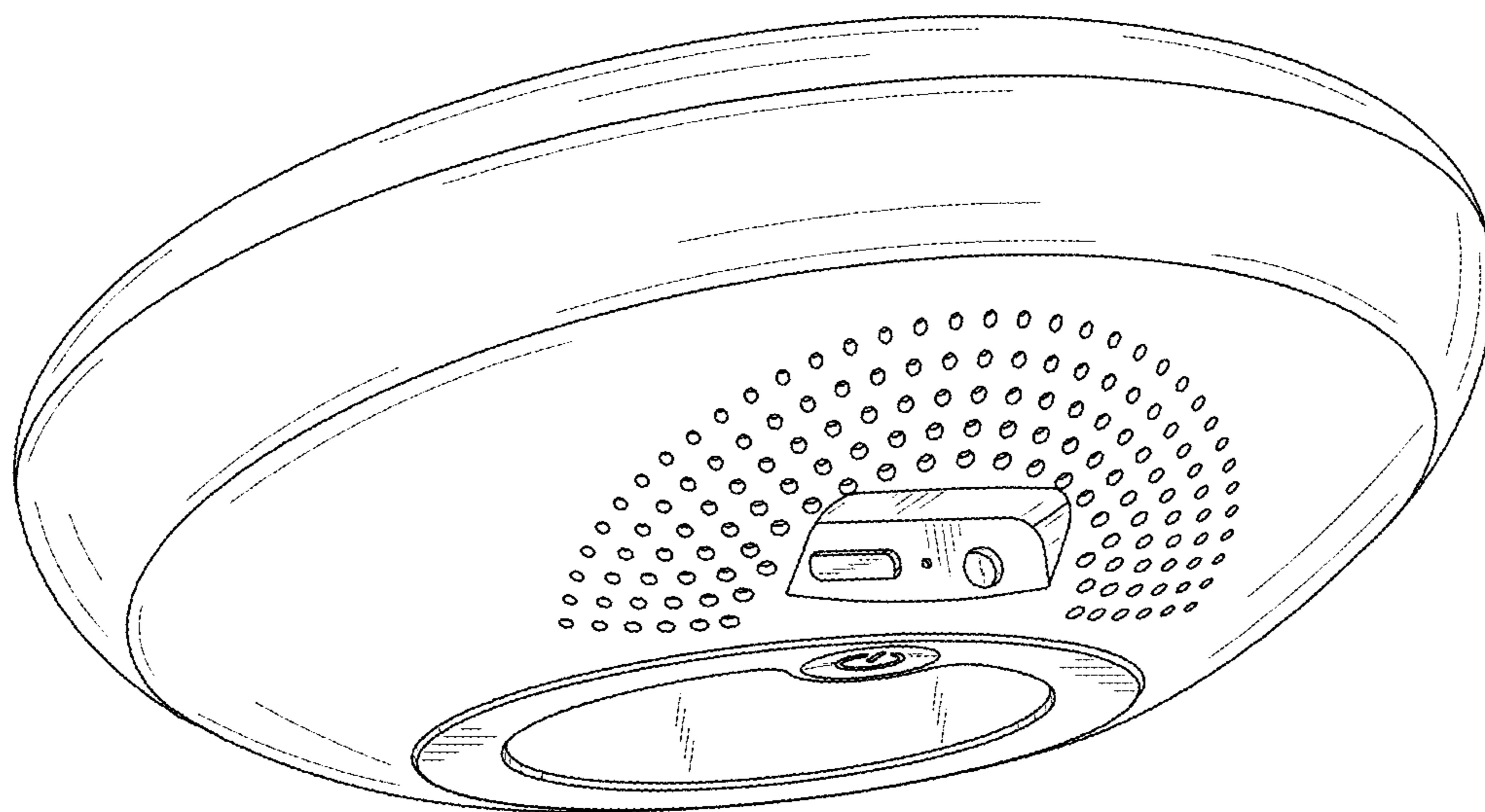


FIG. 8