



US00D952216S

(12) **United States Design Patent** (10) **Patent No.:** **US D952,216 S**
Wang (45) **Date of Patent:** **** May 17, 2022**

(54) **OUTDOOR CAMPING CHARGING CHANDELIER**

(71) Applicant: **Bo Wang**, Lu (CN)

(72) Inventor: **Bo Wang**, Lu (CN)

(**) Term: **15 Years**

(21) Appl. No.: **29/787,067**

(22) Filed: **Jun. 4, 2021**

(30) **Foreign Application Priority Data**

May 13, 2021 (CN) 202130285602.7

(51) **LOC (13) Cl.** **26-02**

(52) **U.S. Cl.**
USPC **D26/41; D26/37**

(58) **Field of Classification Search**
USPC D26/37, 38, 40, 41, 72, 88
CPC F21S 8/04; F21S 8/043; F21S 8/046; F21S 8/06; F21S 8/061; F21S 8/063; F21S 8/065; F21S 8/066; F21S 8/068
See application file for complete search history.

(56) **References Cited**

U.S. PATENT DOCUMENTS

D113,501 S *	2/1939	Alm et al.	D26/86
D300,372 S *	3/1989	O'Dohanue	D26/85
D343,252 S *	1/1994	Belisle	D26/88
D348,532 S *	7/1994	Belisle	D26/85
5,540,367 A *	7/1996	Kauker	A45F 5/02 24/3.13
D390,995 S *	2/1998	Ewing	D26/85
D447,591 S *	9/2001	Hsu	D26/84
D491,302 S *	6/2004	Krieger	D26/40
D548,058 S *	8/2007	Joachim	D8/356
D559,425 S *	1/2008	Porter	D26/92
D562,702 S *	2/2008	Bhavnani	D10/2
D576,329 S *	9/2008	Poon	D26/40
D617,480 S *	6/2010	DeBrunner	D26/40

D664,281 S *	7/2012	Ayliffe	D26/88
D699,339 S *	2/2014	Wang	D23/385
D760,492 S *	7/2016	Chang	D3/218
D822,259 S *	7/2018	Fang	D26/87
D833,660 S *	11/2018	Krantz	D26/41
D845,537 S *	4/2019	Gambrel	D26/88
D849,991 S *	5/2019	Piedra et al.	
D851,810 S *	6/2019	Workman	D26/88
D863,650 S *	10/2019	Gambrel	D26/88
D869,735 S *	12/2019	Babutzka	D26/88

(Continued)

OTHER PUBLICATIONS

FavorLite, LED Camping Lantern. First available Feb. 7, 2022. Searched on Mar. 16, 2022. [https://www.amazon.com/Rechargeable-Tabletop-Dimmable-Portable-Hurricane/dp/B09MVCVWTCY?ref_ast_sto_dp&th=1] (Year: 2022).*

(Continued)

Primary Examiner — Samantha Q Lawrence
Assistant Examiner — Melissa Adriane Santos

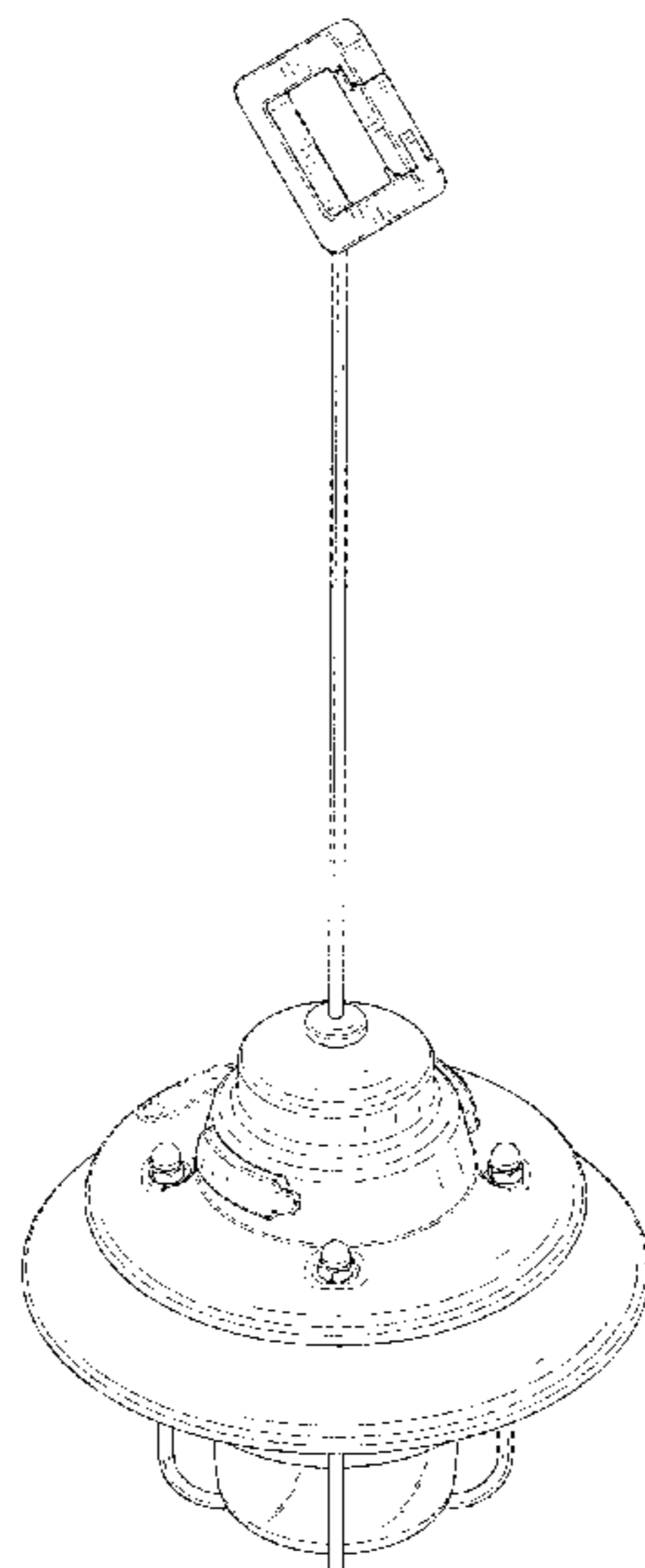
(57) **CLAIM**

The ornamental design for an outdoor camping charging chandelier, as shown and described.

DESCRIPTION

FIG. 1 is a first perspective view of an outdoor camping charging chandelier showing my new design; FIG. 2 is a second perspective view thereof; FIG. 3 is a front view thereof; FIG. 4 is a back view thereof; FIG. 5 is a left side view thereof; FIG. 6 is a right side view thereof; FIG. 7 is a top view thereof; and, FIG. 8 is a bottom view thereof. The broken lines shown in FIGS. 1-8 illustrate portions of the outdoor camping charging chandelier that form no part of the claimed design.

1 Claim, 8 Drawing Sheets



(56)

References Cited

U.S. PATENT DOCUMENTS

D880,040 S * 3/2020 Pan D26/72
 D885,871 S * 6/2020 Adelman D8/356
 D889,021 S 6/2020 De Silva
 D889,727 S 7/2020 De Silva
 D893,085 S * 8/2020 Tang D26/88
 D907,265 S * 1/2021 Wang D26/41
 D907,823 S * 1/2021 Lou D26/40
 D915,644 S * 4/2021 Lin D26/25
 D919,866 S * 5/2021 Workman D26/41
 D923,770 S * 6/2021 Holmes D23/377
 D935,660 S * 11/2021 Wang D26/40
 2011/0116254 A1 * 5/2011 Workman F21S 4/10
 362/96
 2018/0209594 A1 * 7/2018 Parisi F21S 9/037

OTHER PUBLICATIONS

Pinsai, LED Camping Lantern. First available Dec. 13, 2021. Searched on Mar. 16, 2022. [https://www.amazon.com/dp/B09M4WBRY7/ref=cm_sw_em_r_mt_dp_WNRJMP6W5EHA2AQAGG6A] (Year: 2021).*
 FavorLite, Rechargeable Camping Lantern. First available Feb. 20, 2022. Searched on Mar. 16, 2022. [<https://www.amazon.com/dp/B09MVW6LFW/>] (Year: 2022).*
 Coleman, Classic 800 Lumens Recharge LED Lantern. First available unknown. Searched on Mar. 16, 2022. [<https://www.rei.com/product/205212/coleman-classic-800-lumens-recharge-led-lantern>] (Year: 2022).*
 Coleman, 1900 Collection™ 200 Lumen LED Lantern. First available unknown. Searched on Mar. 16, 2022. [https://www.coleman.com/lighting/lanterns/battery-lanterns/1900-collection-200-lumen-led-lantern/SAP_2155748.html] (Year: 2022).*

* cited by examiner

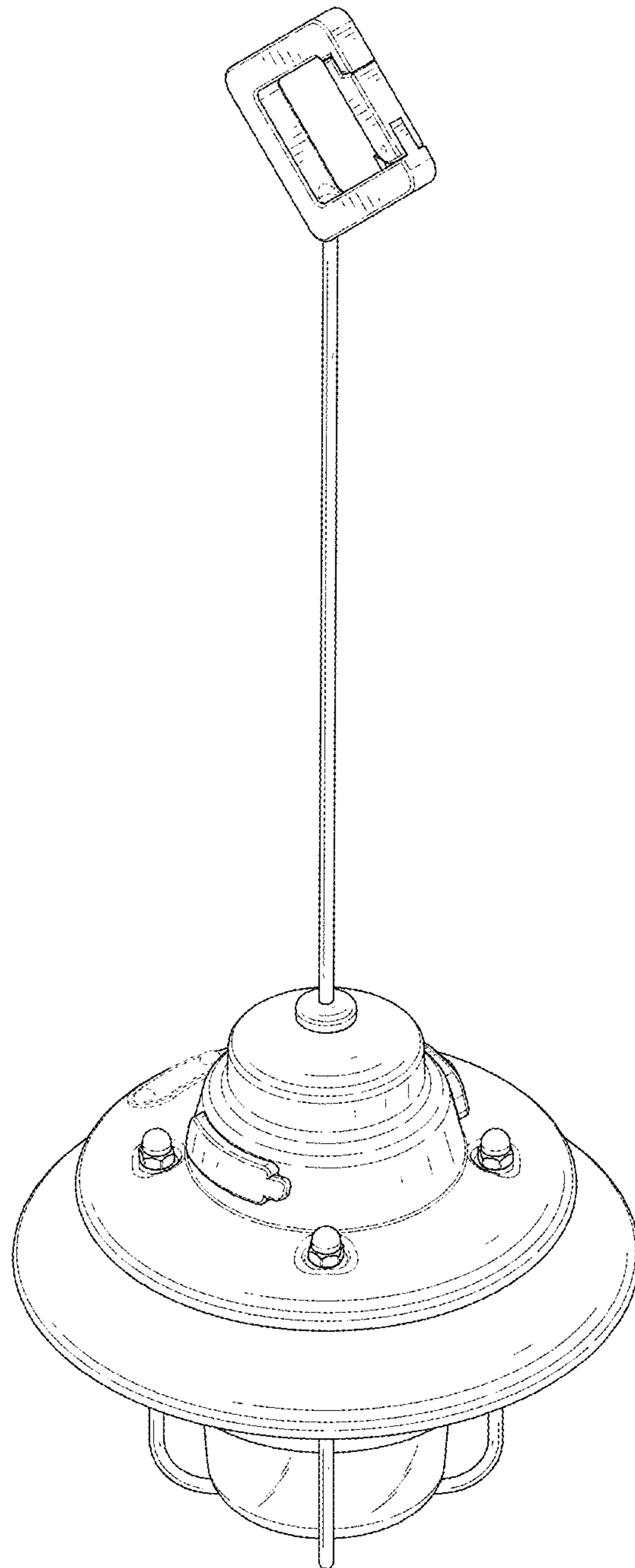


FIG. 1

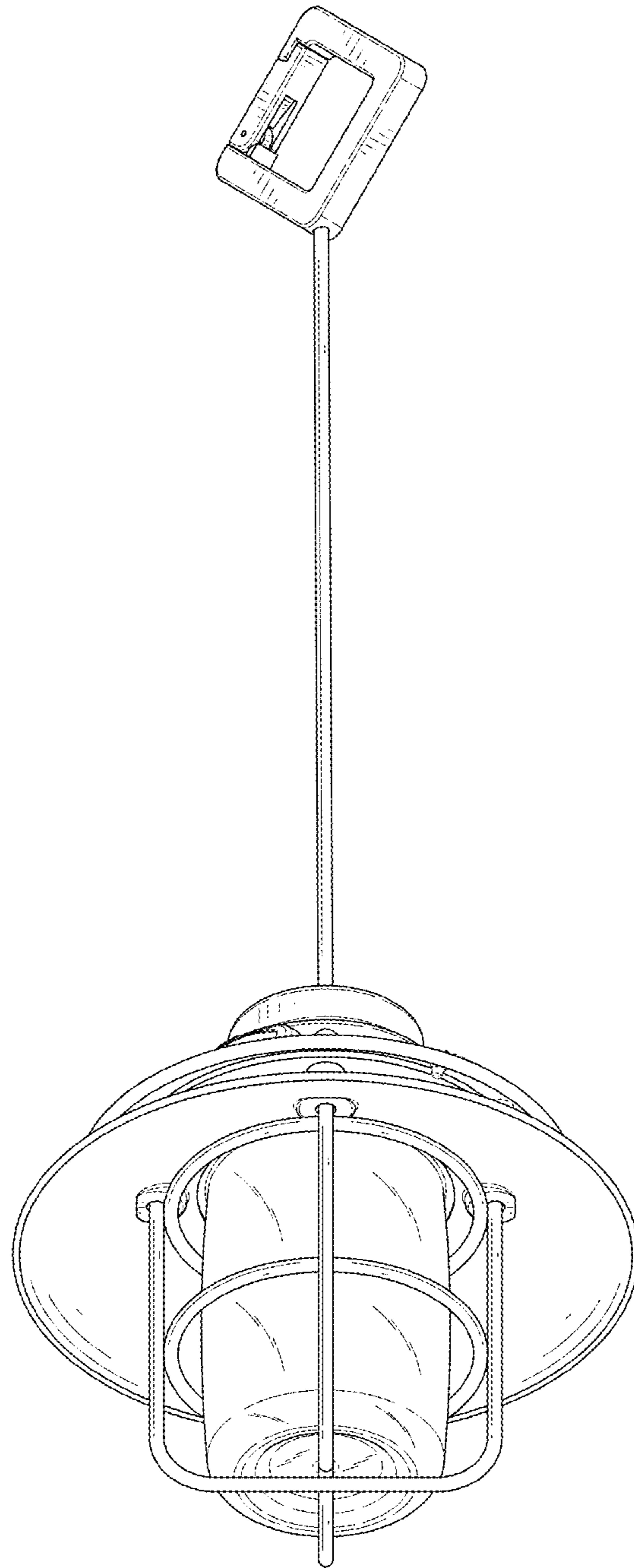


FIG. 2

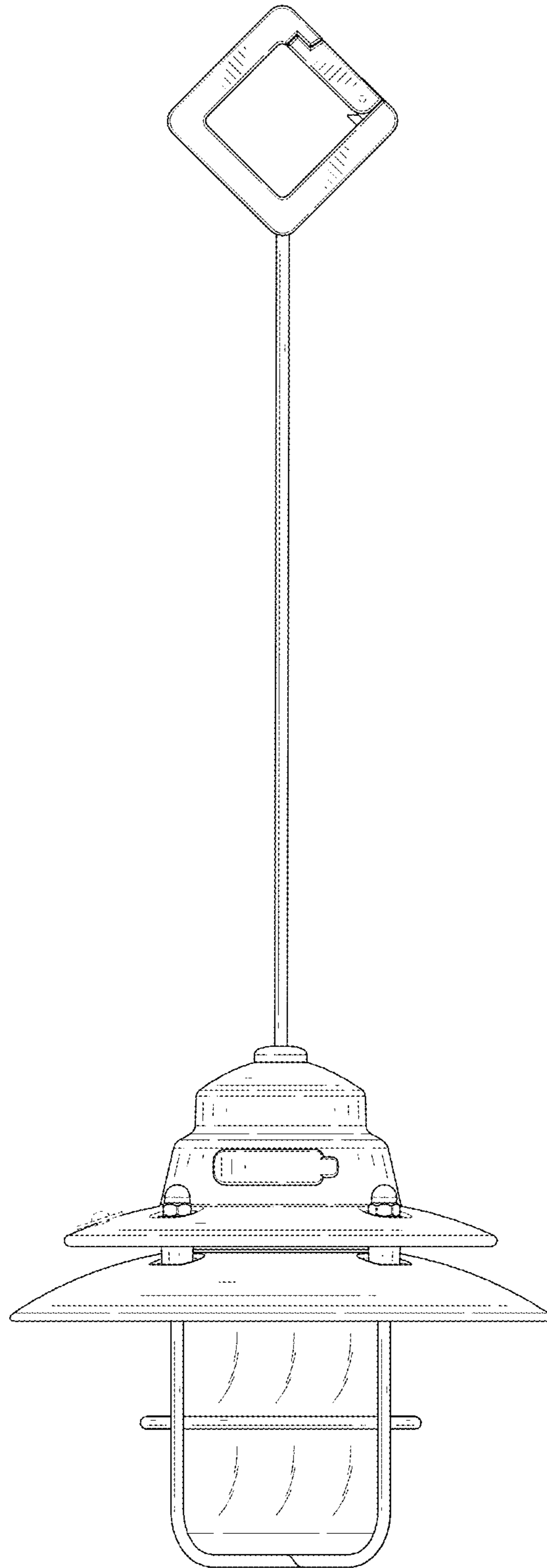


FIG. 3

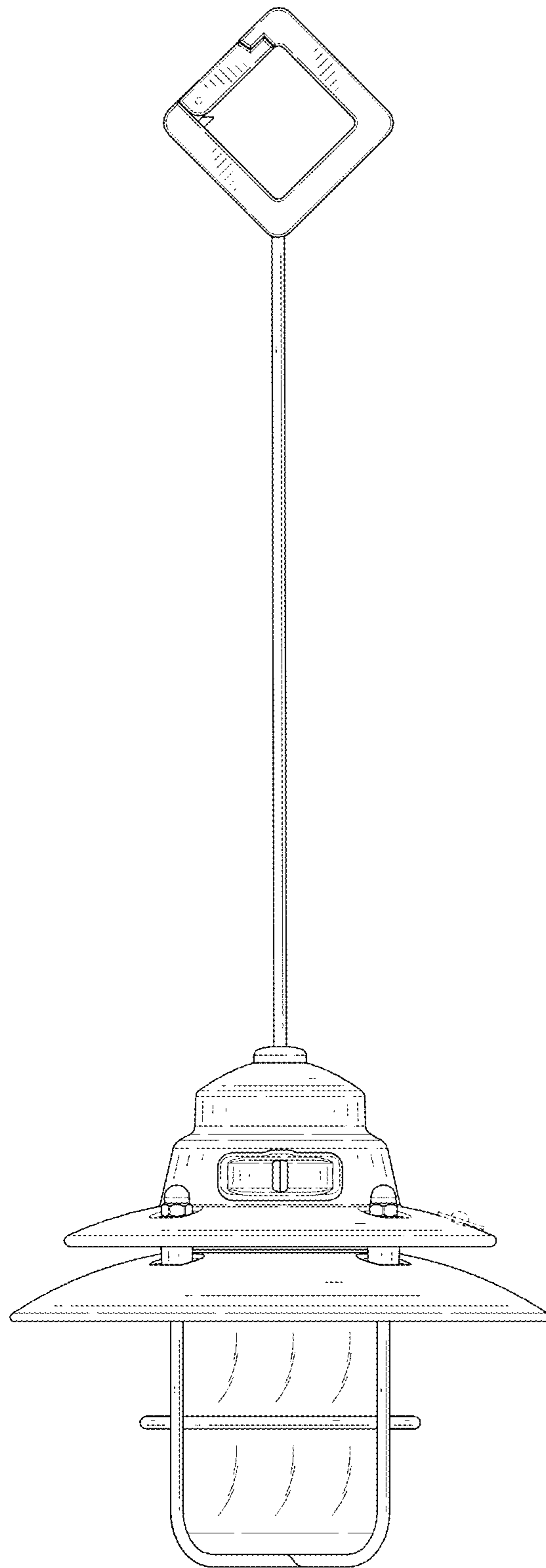


FIG. 4

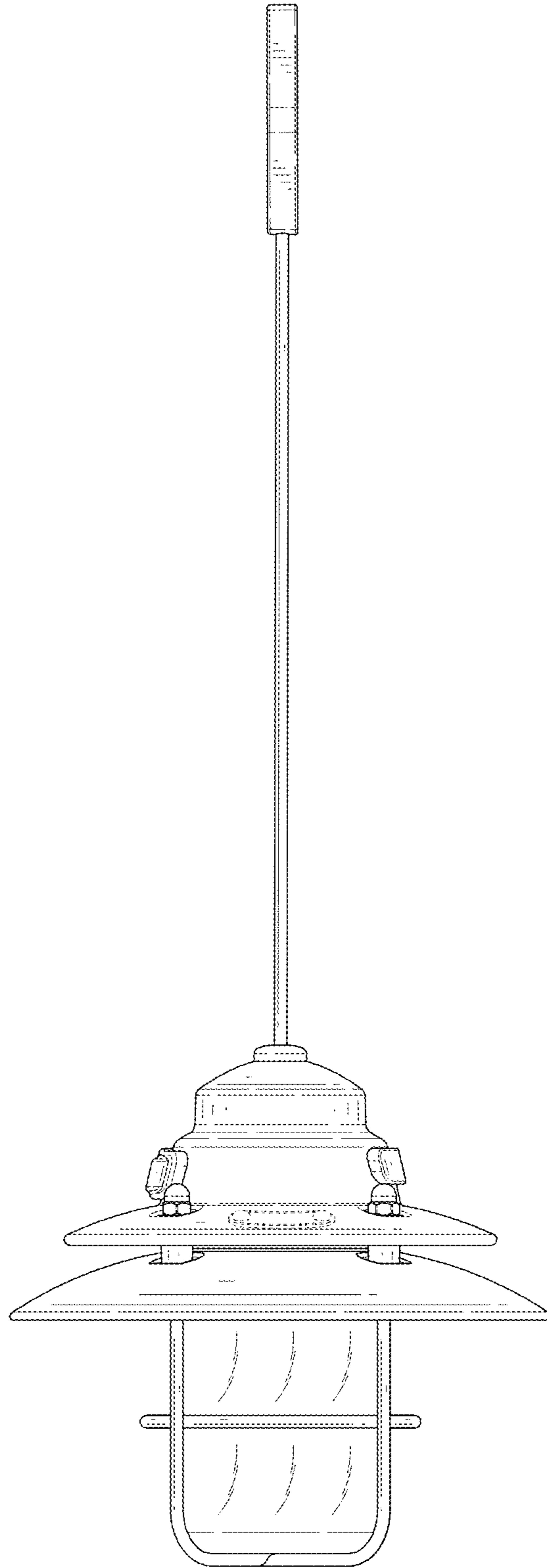


FIG. 5

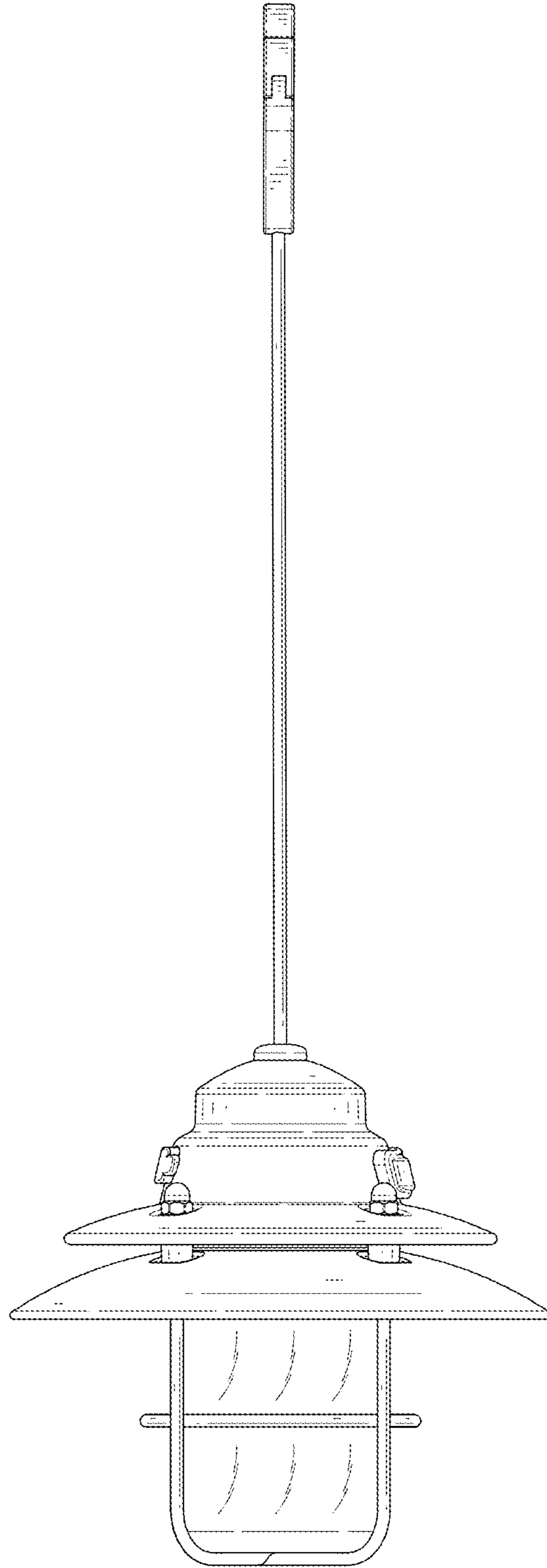


FIG. 6

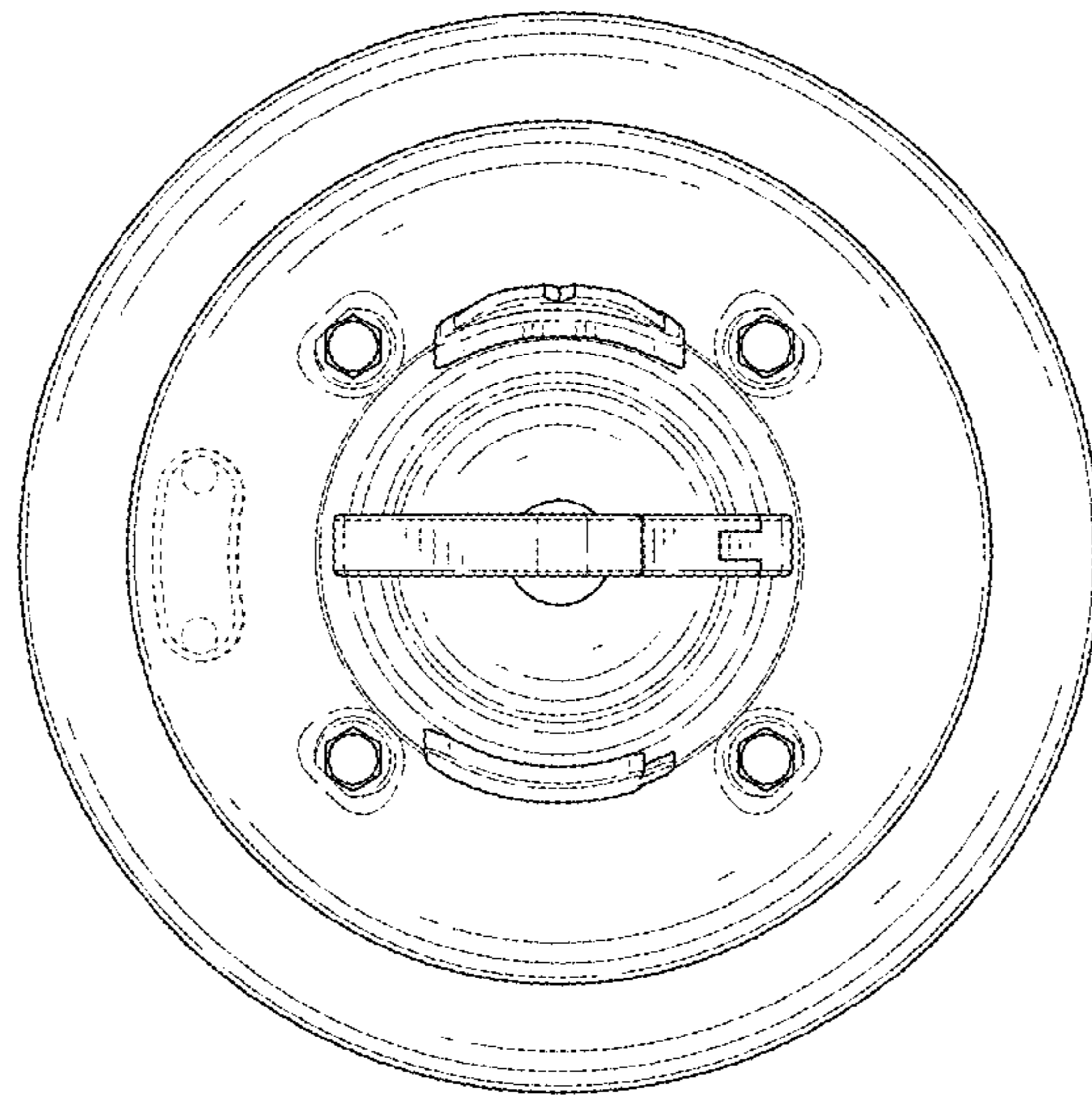


FIG. 7

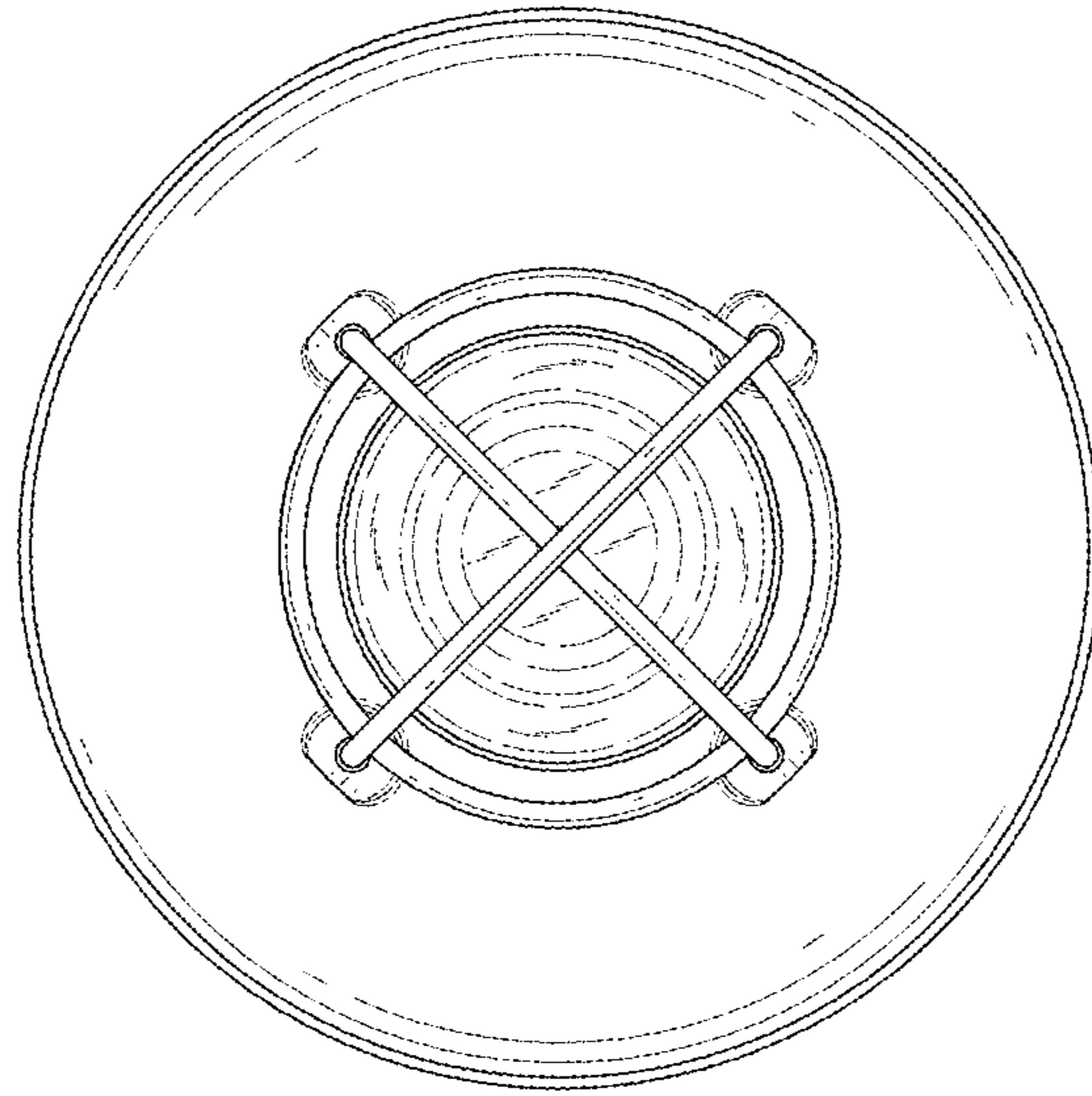


FIG. 8