



US00D952215S

(12) **United States Design Patent**
Windom et al.

(10) **Patent No.:** **US D952,215 S**

(45) **Date of Patent:** **** May 17, 2022**

- (54) **LANTERN**
- (71) Applicant: **Coast Cutlery Co.**, Portland, OR (US)
- (72) Inventors: **Gregory David Windom**, Portland, OR (US); **Douglas R. Hutchens**, Portland, OR (US); **David D. Lewin**, Portland, OR (US)
- (73) Assignee: **Coast Cutlery Co.**, Portland, OR (US)

D809,689	S	*	2/2018	Marshall	D26/41
D809,690	S	*	2/2018	Marshall	D26/41
D823,506	S	*	7/2018	Shiu	D26/40
D844,201	S	*	3/2019	Khubani	D26/40
D846,168	S	*	4/2019	Badici	D26/40
D861,941	S	*	10/2019	Hammer	D26/40
D863,634	S	*	10/2019	Xu	D26/41
2015/0009660	A1	*	1/2015	Lee	F21V 15/012 362/186

- (**) Term: **15 Years**
- (21) Appl. No.: **29/682,481**
- (22) Filed: **Mar. 5, 2019**

- (51) **LOC (13) Cl.** **26-02**
- (52) **U.S. Cl.**
USPC **D26/40**
- (58) **Field of Classification Search**
USPC D26/37-51, 63
CPC F21L 4/00-4/085; F21L 4/005; F21L 4/02;
F21L 4/025; F21L 4/027; F21L 4/04;
F21L 4/08; F21L 7/00; F21L 11/00; F21L
13/00; F21L 13/04; F21L 13/08; F21L
14/02; F21L 17/00; F21L 19/00; F21L
25/00; F21L 2/00; F21L 15/00-15/14;
F21L 2001/00; F21L 2003/00; F21L
2005/00

See application file for complete search history.

(56) **References Cited**

U.S. PATENT DOCUMENTS

D424,227	S	*	5/2000	Long	D26/50
D535,419	S	*	1/2007	Shiu	D26/40
D608,920	S	*	1/2010	Loibl	D26/40
D658,324	S	*	4/2012	Reimann	D26/40
D707,378	S	*	6/2014	Shiu	D26/41
D725,300	S	*	3/2015	Dalton	D26/40
D794,235	S	*	8/2017	Green	D26/40
D809,688	S	*	2/2018	Christensen	D26/41

OTHER PUBLICATIONS

Amazon.com_ Coast Coast Coast EAL22—Linterna LED de emergencia https://www.amazon.com/Coast-EAL22-Linterna-emergencia-I%C3%BAmenes/dp/B082N6BK1J?ref_ast_sto_dpAvailable Dec. 11, 2019 (Year: 2019).*

(Continued)

Primary Examiner — Leanne Was-Englehart

(74) *Attorney, Agent, or Firm* — Schwabe Williamson & Wyatt, P.C.

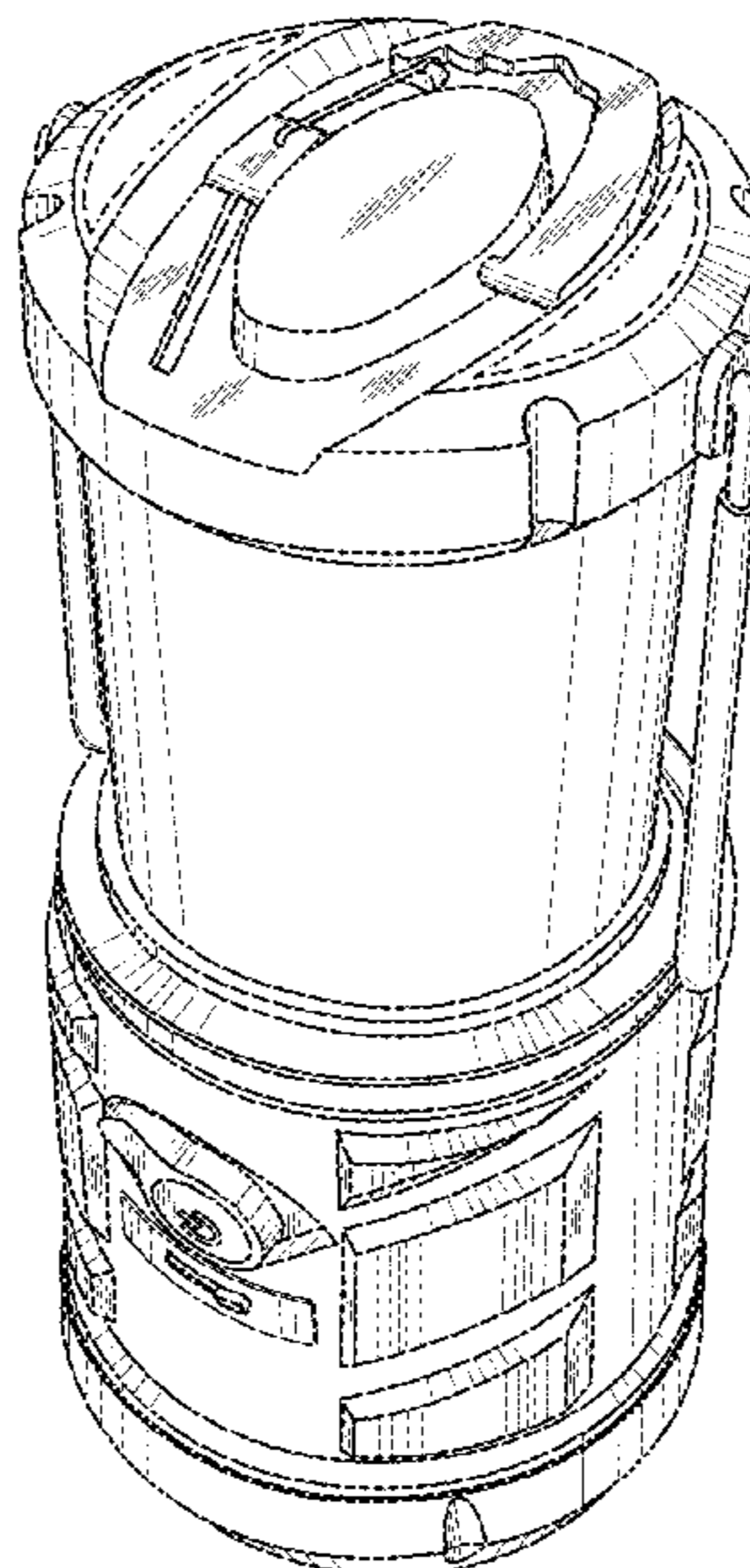
(57) **CLAIM**

We claim the ornamental design for a lantern, as shown and described.

DESCRIPTION

FIG. 1 is a perspective view of the lantern;
 FIG. 2 is a front elevation view of the lantern of FIG. 1;
 FIG. 3 is a rear elevation view of the lantern of FIG. 1;
 FIG. 4 is a side elevation view of the lantern of FIG. 1;
 FIG. 5 is a side elevation view of the lantern of FIG. 1, with the lantern turned 180 degrees from FIG. 4;
 FIG. 6 is a top plan view of the lantern of FIG. 1;
 FIG. 7 is a bottom view of the lantern of FIG. 1; and,
 FIG. 8 is a perspective view of the lantern of FIG. 1 except that the lantern handle is in a raised position.
 The broken lines depict portions of the lantern that form no part of the claimed design.

1 Claim, 5 Drawing Sheets



(56)

References Cited

OTHER PUBLICATIONS

Amazon.com_ Coast EAL13—Linterna LED de emergencia https://www.amazon.com/dp/B082N61GGQ/ref=sspa_dk_detail_1?psc=1&pd_rd_i=B082N61GGQ&pd_rd_w=jXW0J&pf_rd_p=7771f1a2-d77a-4098-a19e-6d9a1e65f44d&pd_rd_wg=v3M7I&pf_rd_r=1FSR7A798TGKTKNKRX0N&pd_rd_r=b8c8dff7-9d64-4d0a-b519-8181_a620322e&spLa=ZW Dec. 11, 2019 (Year: 2019).*

EAL Lanterns YouTube <https://www.youtube.com/watch?v=2zyNgCcsjU0> Posted Jan. 23, 2019 (Year: 2019).*

* cited by examiner

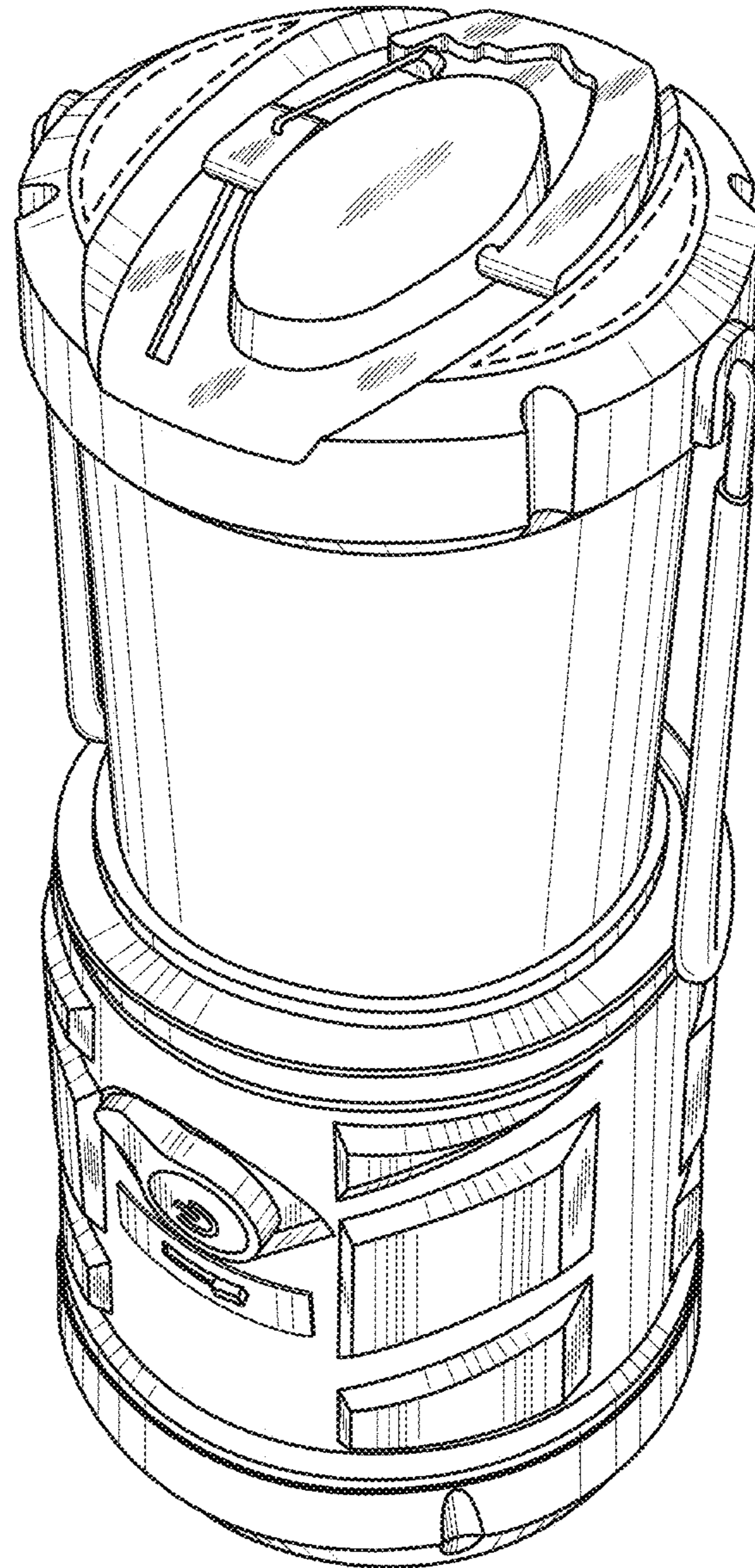


FIG. 1

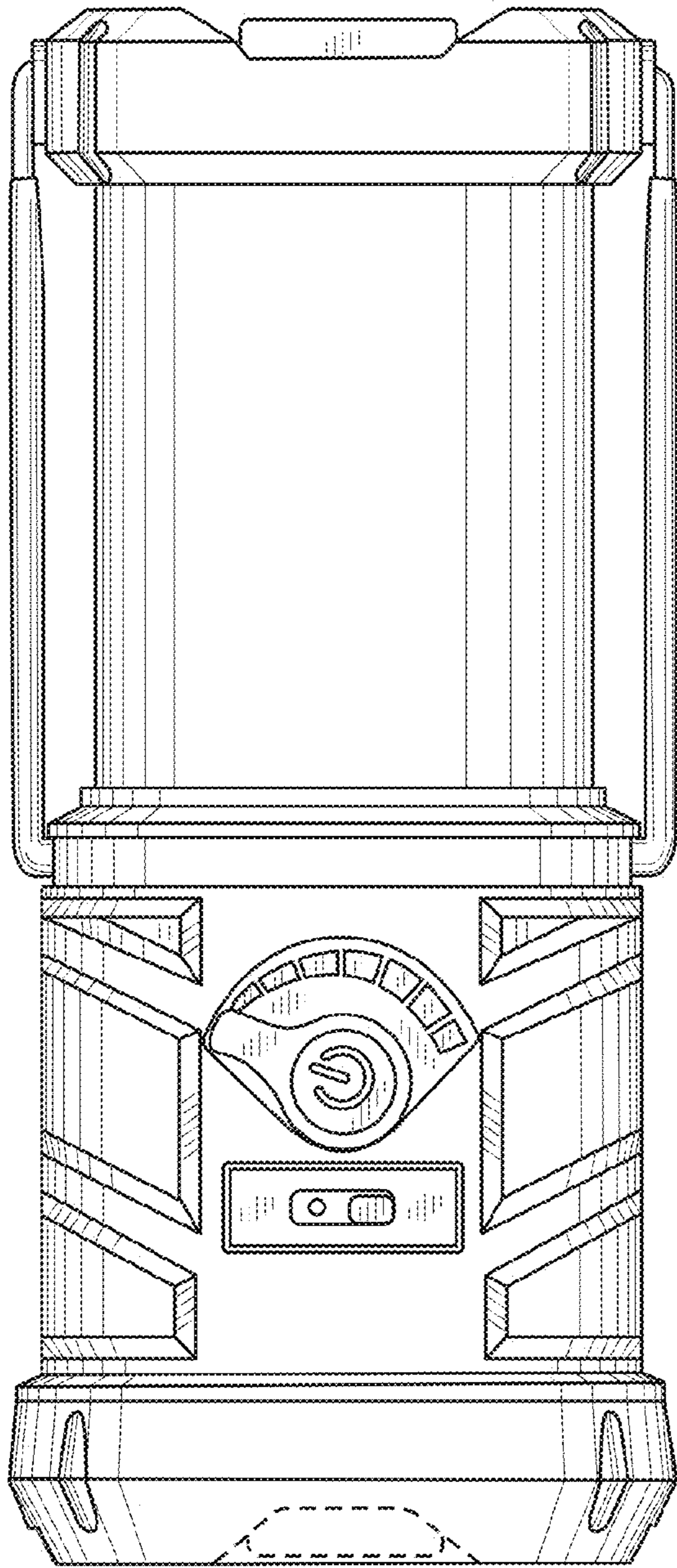


FIG. 2

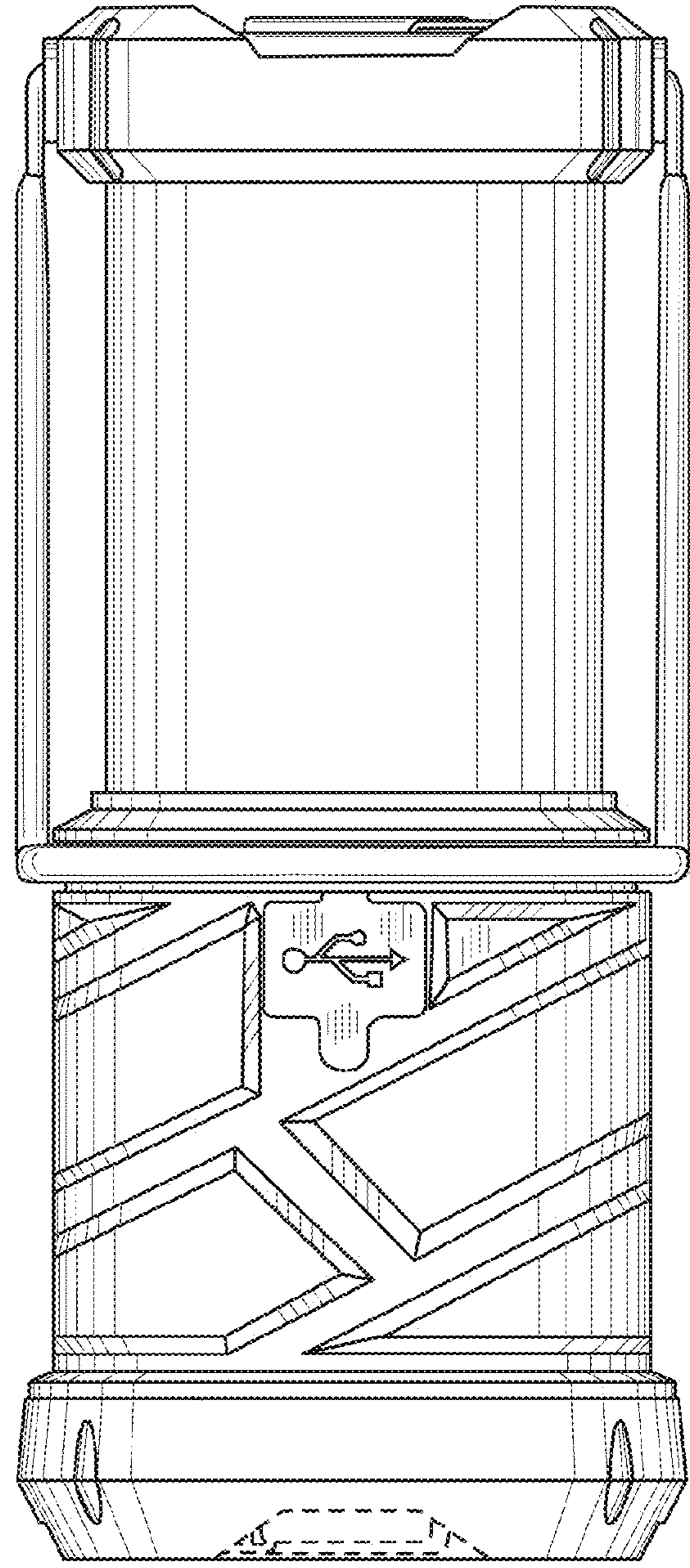


FIG. 3

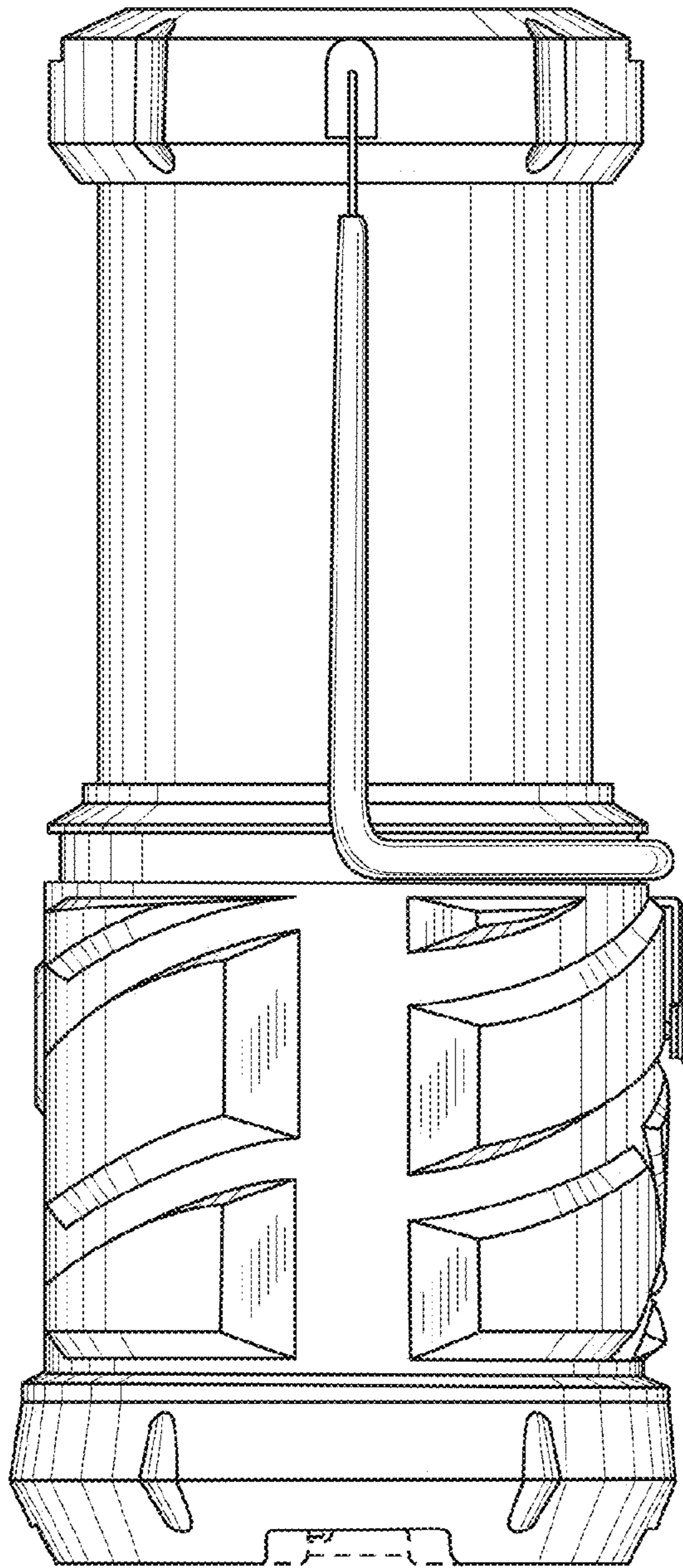


FIG. 4

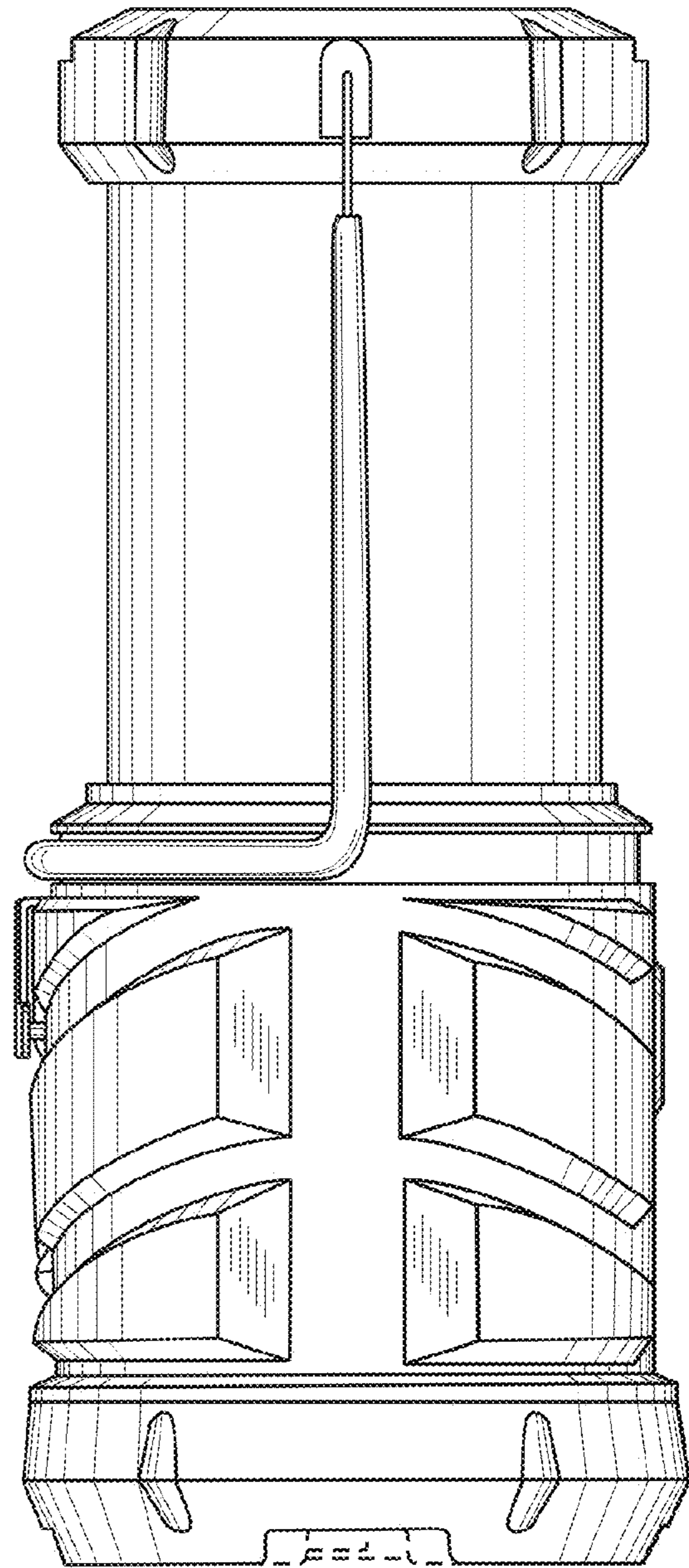


FIG. 5

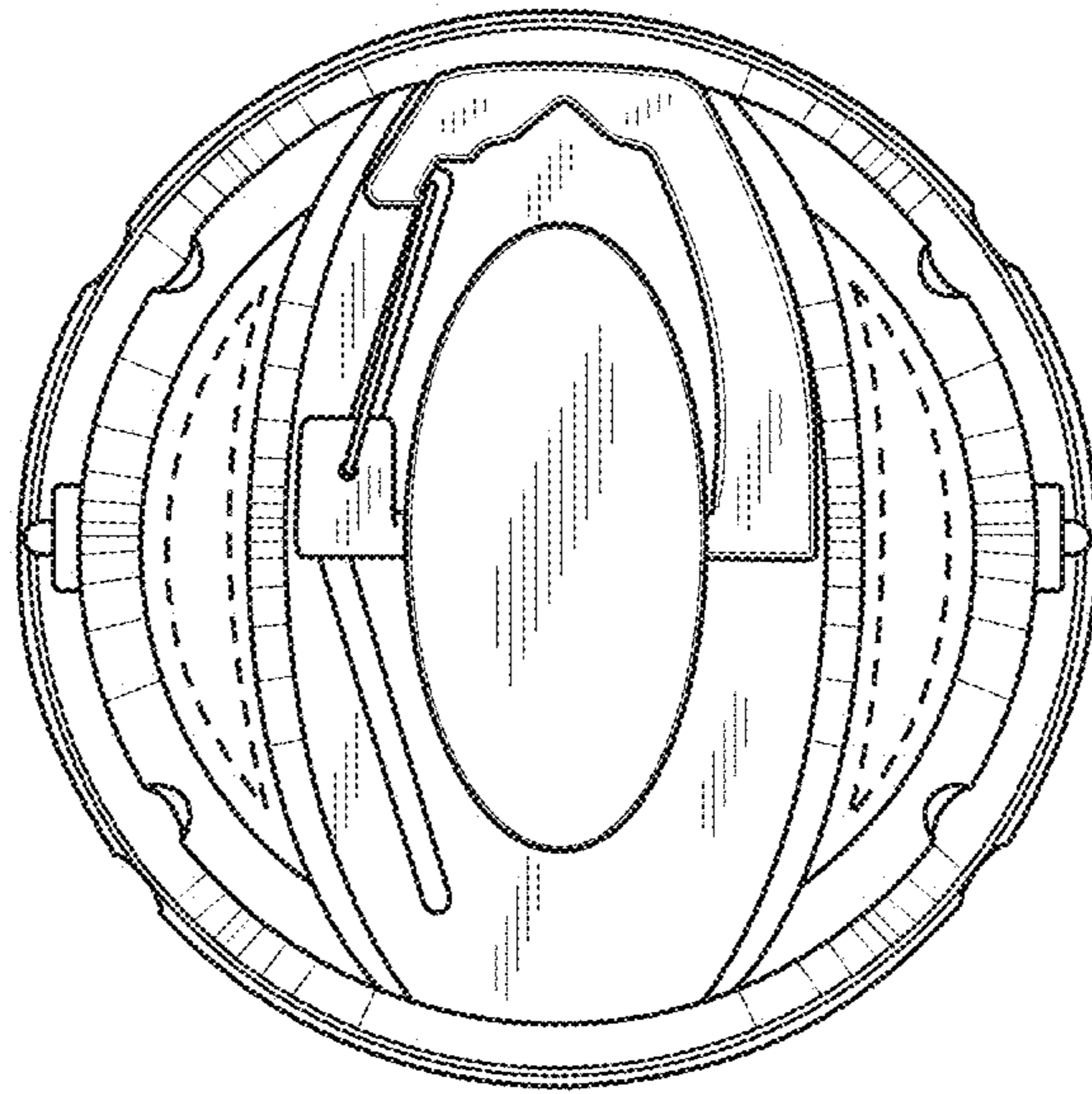


FIG. 6

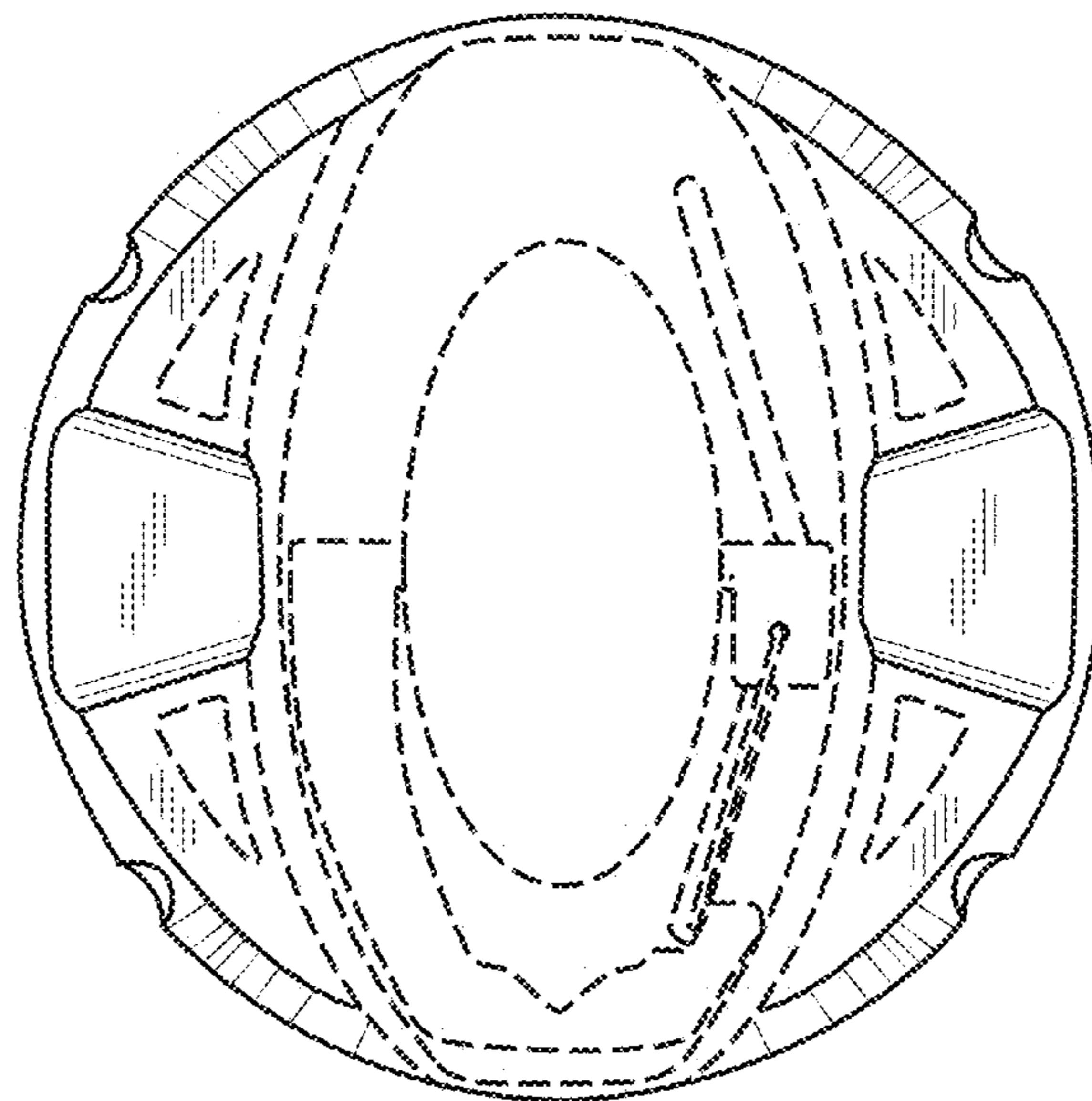


FIG. 7

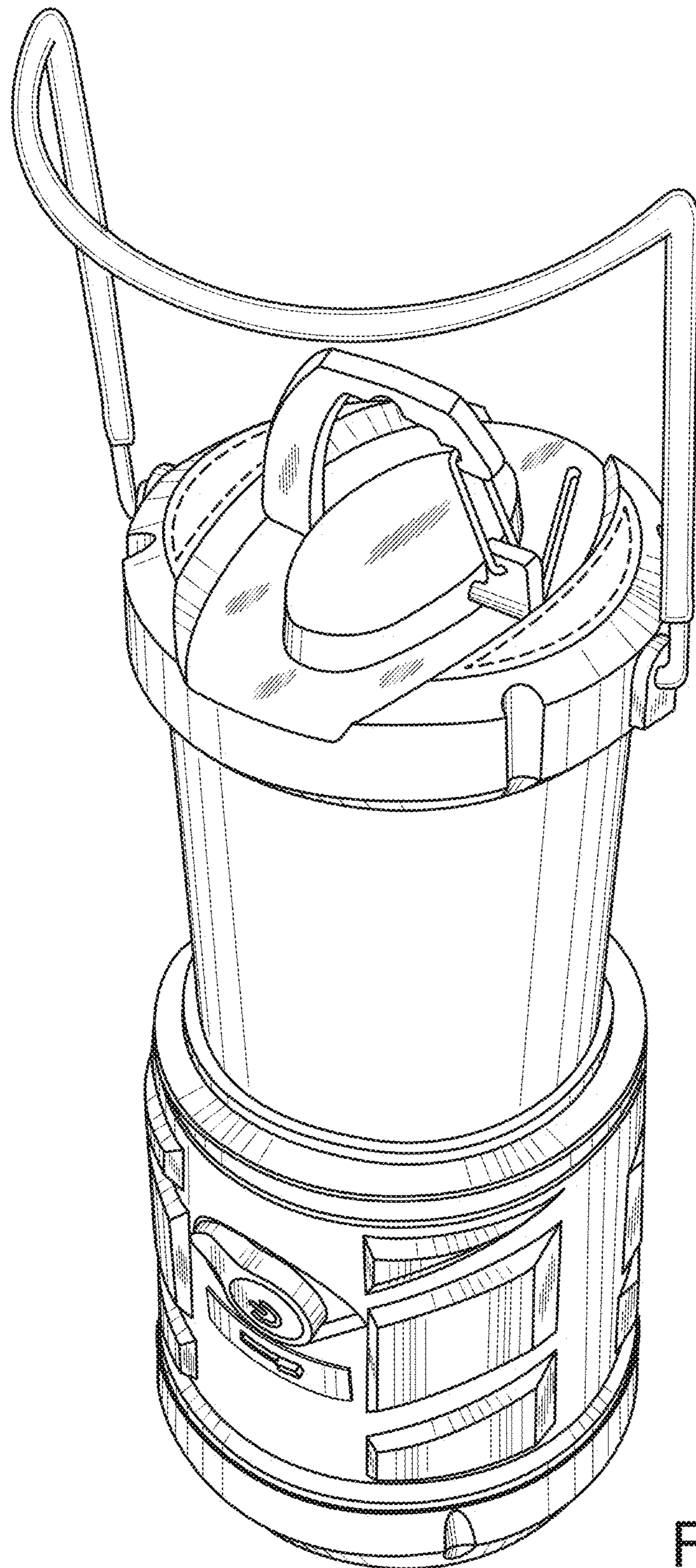


FIG. 8