



US00D952210S

(12) **United States Design Patent** (10) **Patent No.:** **US D952,210 S**  
**Shin et al.** (45) **Date of Patent:** **\*\* May 17, 2022**

(54) **HEAD LAMP FOR AN AUTOMOBILE**  
  
(71) Applicants: **Kia Motors Corporation**, Seoul (KR);  
**Hyundai Motor Company**, Seoul (KR)  
  
(72) Inventors: **Young Hwan Shin**, Seongnam-si (KR);  
**Roberto Kuehn**, Ruesselsheim (DE)  
  
(73) Assignees: **Kia Motors Corporation**, Seoul (KR);  
**Hyundai Motor Company**, Seoul (KR)  
  
(\*\*) Term: **15 Years**  
  
(21) Appl. No.: **35/511,144**  
  
(22) Filed: **Jul. 10, 2020**  
  
(80) **Hague Agreement Data**  
Int. Filing Date: **Jul. 10, 2020**  
Int. Reg. No.: **DM/209460**  
Int. Reg. Date: **Jul. 10, 2020**  
Int. Reg. Pub. Date: **Jan. 15, 2021**

(30) **Foreign Application Priority Data**  
Mar. 31, 2020 (KR) ..... 30-2020-0014324  
  
(51) **LOC (13) Cl.** ..... **26-06**  
(52) **U.S. Cl.**  
USPC ..... **D26/28**  
  
(58) **Field of Classification Search**  
USPC ..... D26/38, 39, 34, 35, 36  
CPC ..... F21S 41/00; F21S 41/14; F21S 41/141;  
F21S 41/20; F21S 41/30; F21S 43/00;  
F21S 43/10; F21S 43/14; F21S 43/15;  
F21S 43/20; F21S 43/30; B60Q 1/26;  
B60Q 1/2619; B60Q 1/22; B60Q 1/28;  
B60Q 1/34; B60Q 1/30; B60Q 1/44;  
B60Q 1/46

See application file for complete search history.

(56) **References Cited**  
  
U.S. PATENT DOCUMENTS  
  
D690,041 S \* 9/2013 Lai ..... D26/28  
D743,070 S \* 11/2015 Lai ..... D26/28  
D747,819 S \* 1/2016 Thole ..... D26/28  
D761,462 S \* 7/2016 Lai ..... D26/28  
D783,189 S \* 4/2017 Nishii ..... D26/28  
D787,726 S \* 5/2017 Hong ..... D26/28  
D792,622 S \* 7/2017 Briscoe ..... D26/28  
D794,232 S \* 8/2017 Lai ..... D26/28  
D803,433 S \* 11/2017 Yang ..... D26/28  
D819,241 S \* 5/2018 Werner ..... D26/28  
D819,847 S \* 6/2018 Woodhouse ..... D26/28  
D852,999 S \* 7/2019 Allmendinger ..... D26/28  
D853,607 S \* 7/2019 Allmendinger ..... D26/28  
D867,638 S \* 11/2019 Kong ..... D26/28  
D868,323 S \* 11/2019 Kim ..... D26/28  
D868,324 S \* 11/2019 Kim ..... D26/28  
D883,526 S \* 5/2020 Lin ..... D26/28  
D883,538 S \* 5/2020 Lai ..... D26/28  
D887,595 S \* 6/2020 Wu ..... D26/28  
D889,008 S \* 6/2020 Lim ..... D26/28  
D893,065 S \* 8/2020 He ..... D26/28  
D893,771 S \* 8/2020 Lin ..... D26/28  
D895,180 S \* 9/2020 Hong ..... D26/28  
D896,410 S \* 9/2020 He ..... D26/28

(Continued)

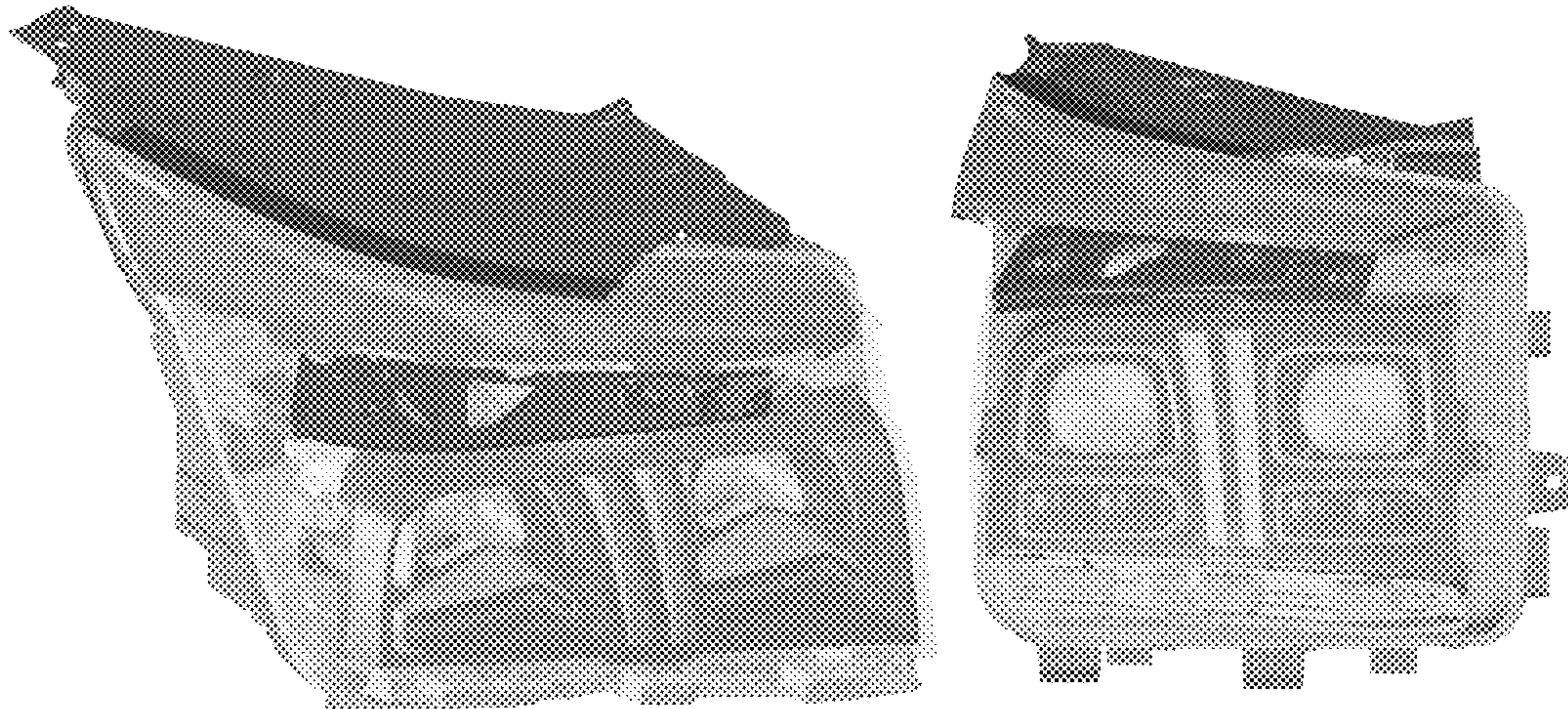
*Primary Examiner* — Steven J Czyz  
(74) *Attorney, Agent, or Firm* — Mintz Levin Cohn  
Ferris Glovsky and Popeo, P.C.; Peter F. Corless

(57) **CLAIM**  
The ornamental design for a head lamp for an automobile,  
as shown and described.

**DESCRIPTION**

- 1. Head lamp for an automobile
- 1.1 : Perspective
- 1.2 : Front
- 1.3 : Back
- 1.4 : Left
- 1.5 : Right
- 1.6 : Top
- 1.7 : Bottom

**1 Claim, 7 Drawing Sheets**



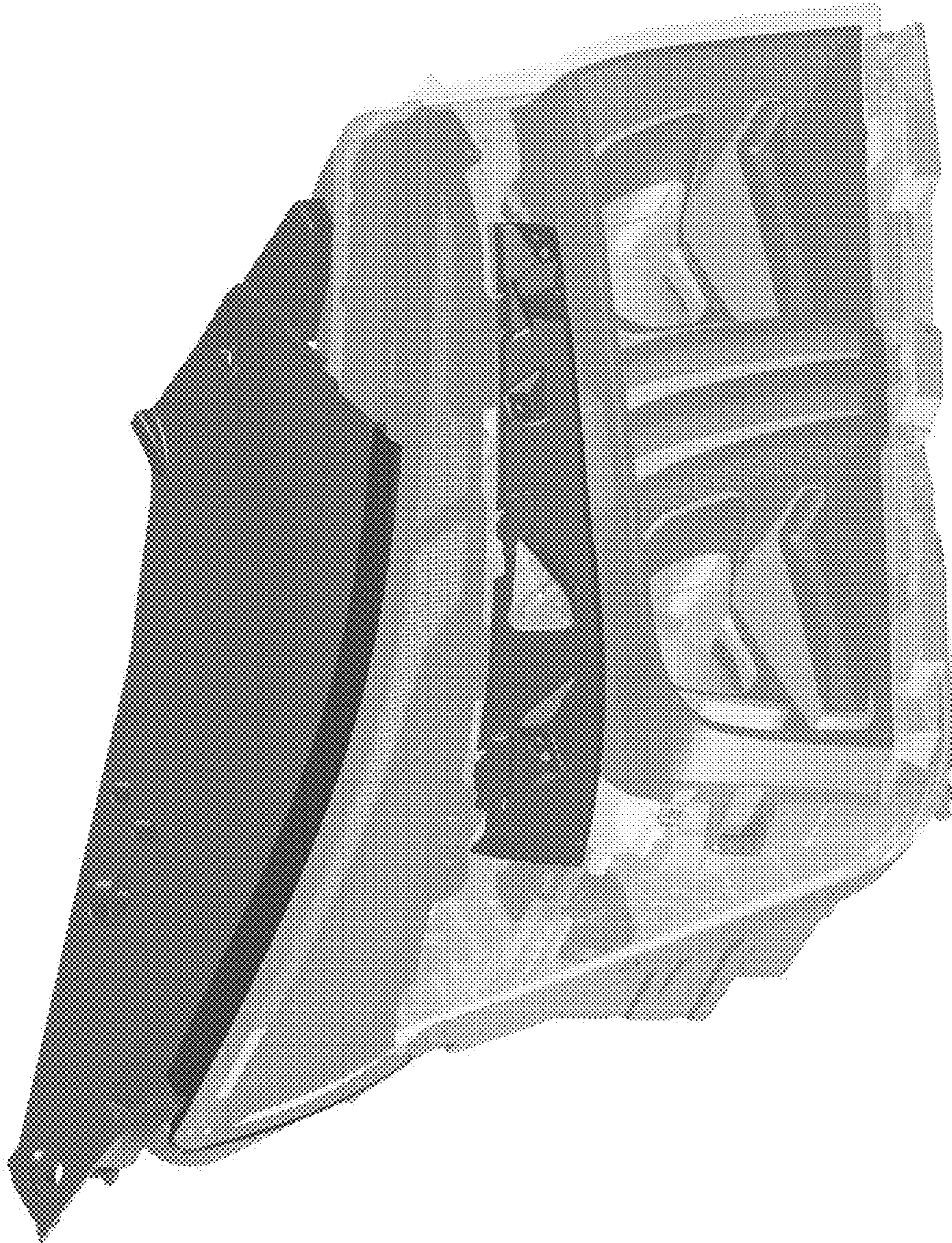
(56)

**References Cited**

U.S. PATENT DOCUMENTS

|          |   |   |         |       |       |        |
|----------|---|---|---------|-------|-------|--------|
| D899,641 | S | * | 10/2020 | He    | ..... | D26/28 |
| D900,359 | S | * | 10/2020 | He    | ..... | D26/28 |
| D901,733 | S | * | 11/2020 | Kim   | ..... | D26/28 |
| D905,876 | S | * | 12/2020 | Wu    | ..... | D26/28 |
| D907,264 | S | * | 1/2021  | Lin   | ..... | D26/28 |
| D907,821 | S | * | 1/2021  | Jeong | ..... | D26/28 |
| D908,260 | S | * | 1/2021  | Jeong | ..... | D26/28 |
| D912,863 | S | * | 3/2021  | Wu    | ..... | D26/28 |
| D923,213 | S | * | 6/2021  | He    | ..... | D26/28 |
| D923,214 | S | * | 6/2021  | He    | ..... | D26/28 |
| D928,363 | S | * | 8/2021  | Lin   | ..... | D26/28 |
| D929,622 | S | * | 8/2021  | Wu    | ..... | D26/28 |
| D930,198 | S | * | 9/2021  | Wu    | ..... | D26/28 |
| D933,267 | S | * | 10/2021 | Lin   | ..... | D26/28 |
| D935,649 | S | * | 11/2021 | Wu    | ..... | D26/28 |
| D936,870 | S | * | 11/2021 | Wu    | ..... | D26/28 |

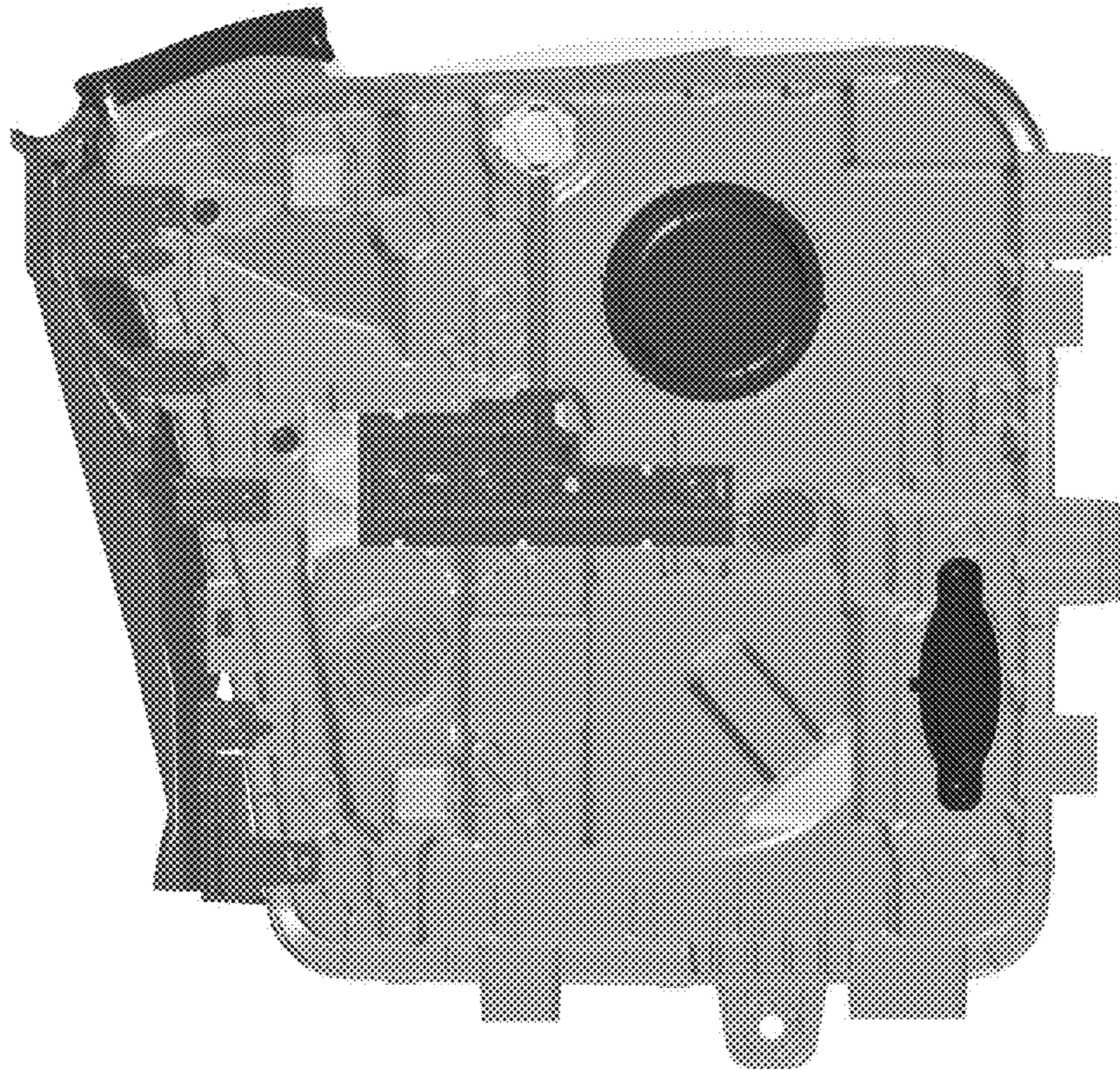
\* cited by examiner



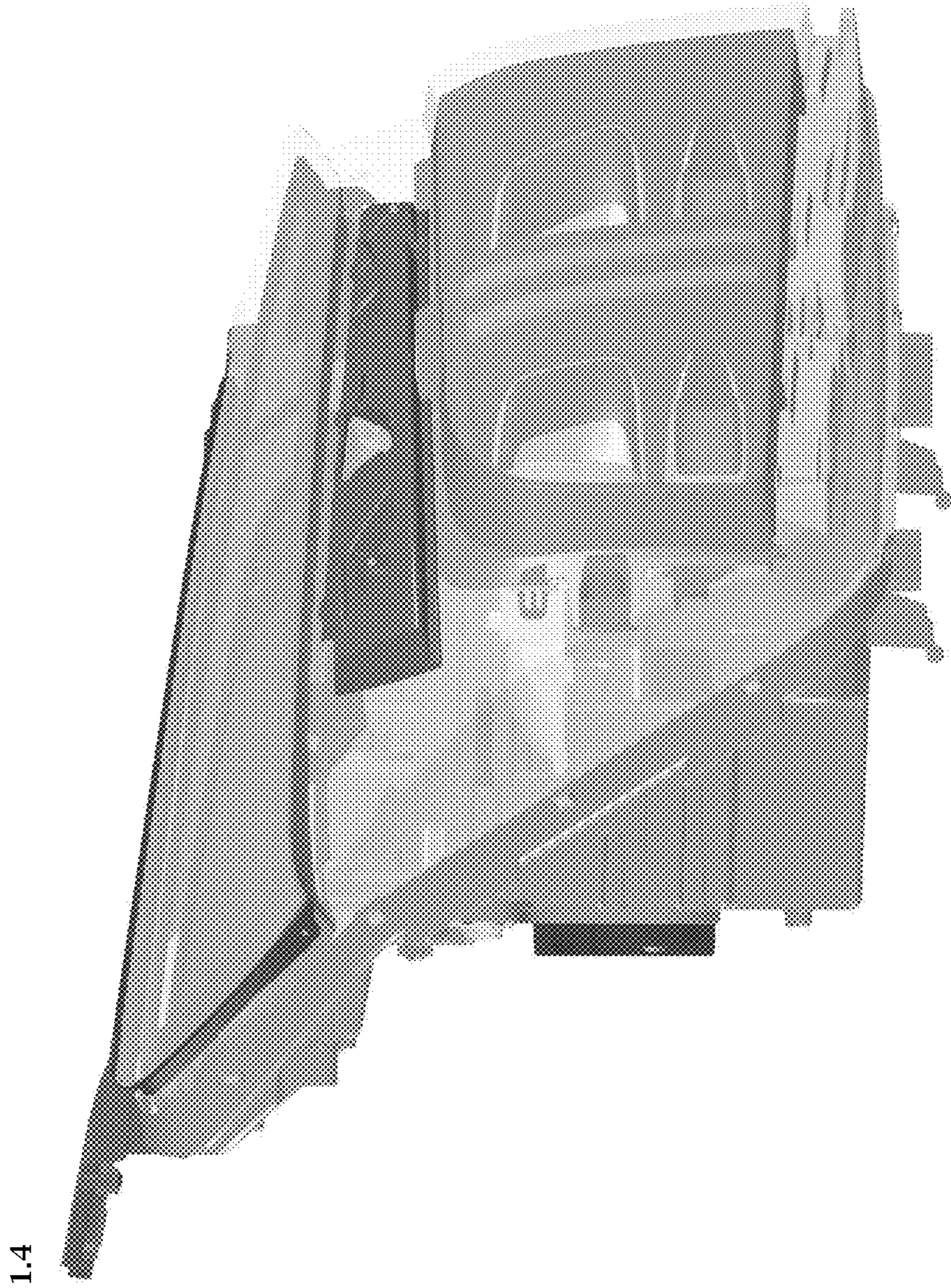
1.1



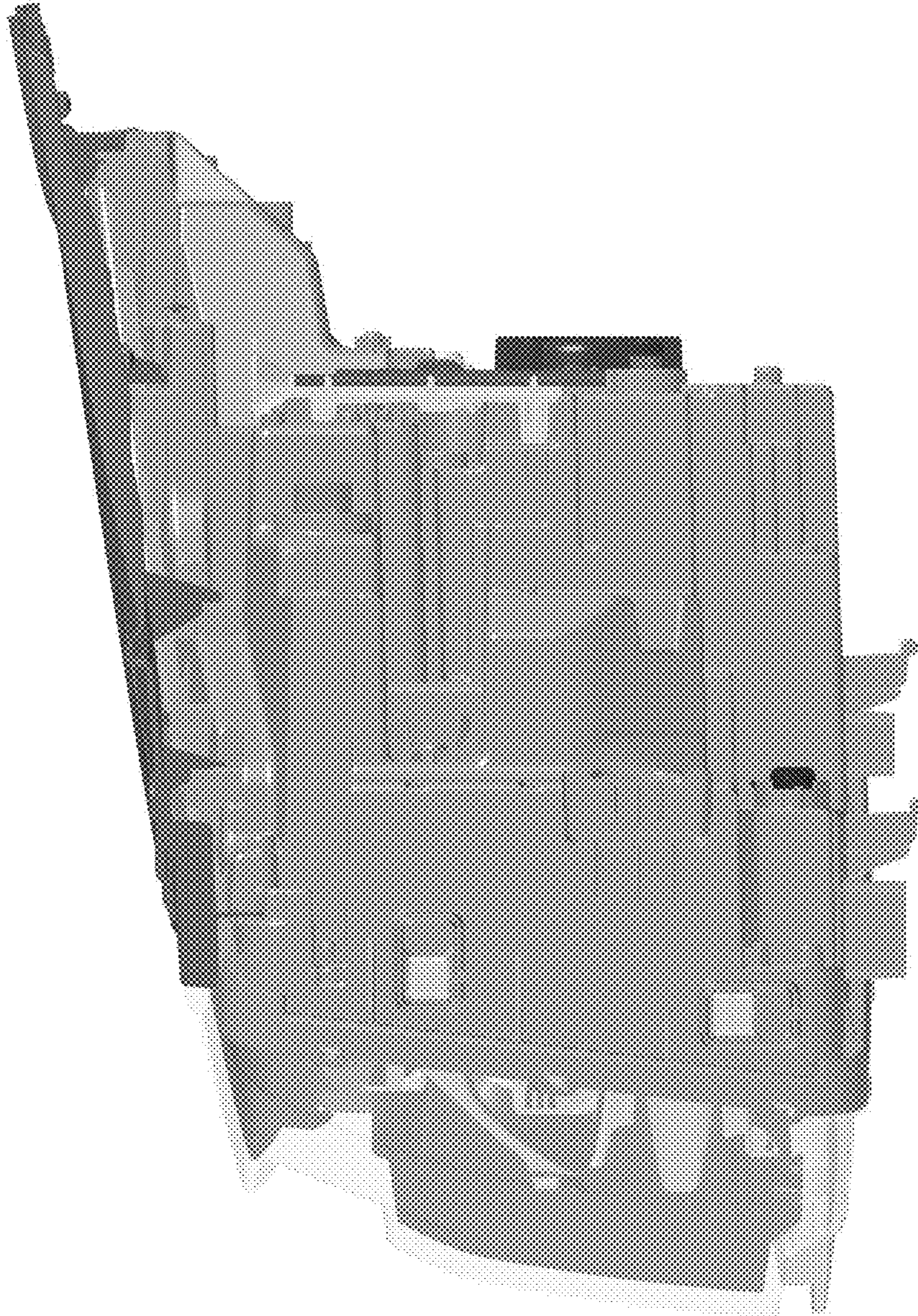
1.2



1.3

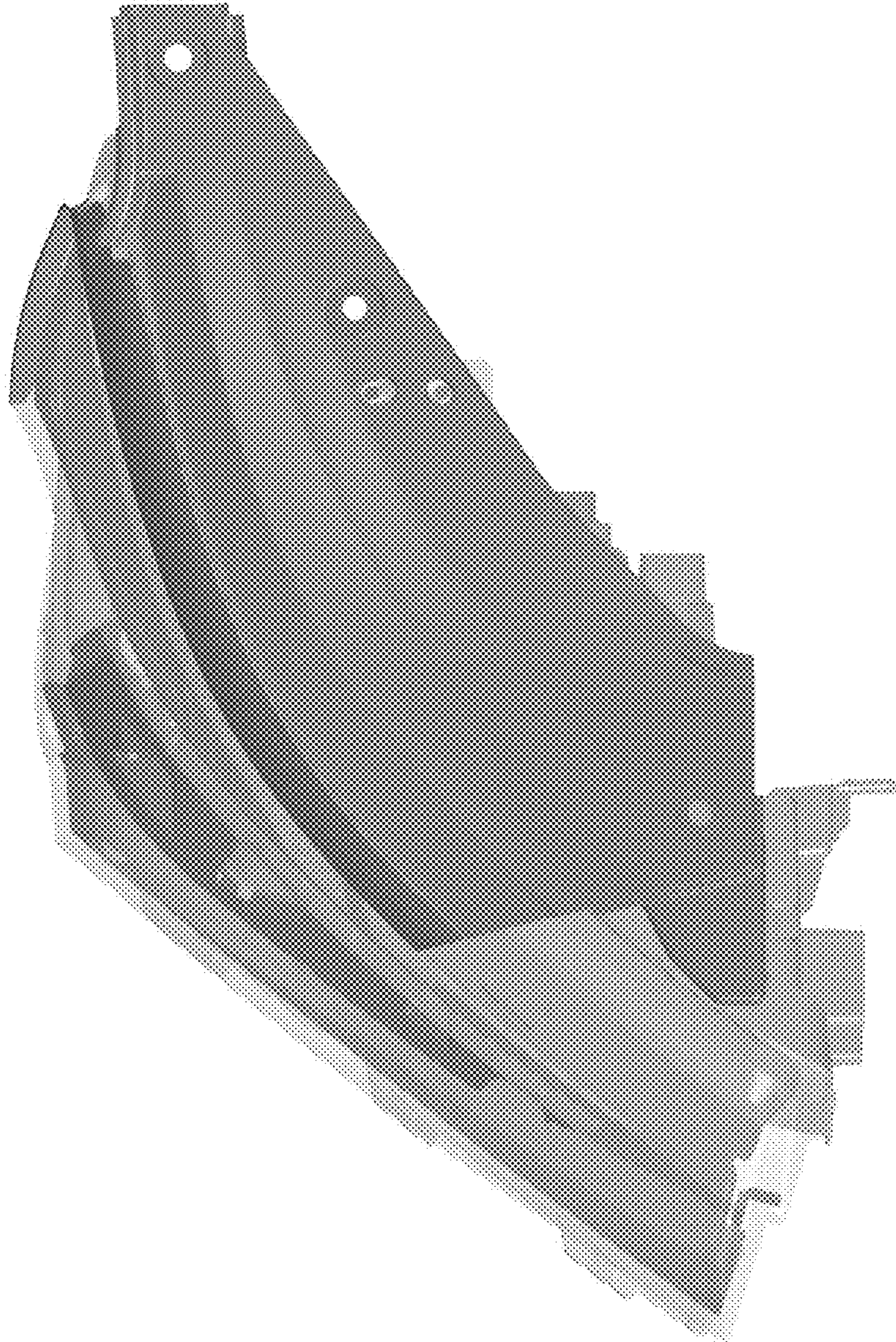


1.4



1.5

1.6





1.7

