



US00D952209S

(12) **United States Design Patent** (10) **Patent No.:** **US D952,209 S**
Gasevski et al. (45) **Date of Patent:** **** May 17, 2022**

(54) **TAIL LAMP**

F21V 5/00; F21V 21/04; F21V 29/004;
B60Q 9/13; B60Q 9/135; B60Q 9/1375

(71) Applicants: **Lou L. Gasevski**, West Bloomfield, MI (US); **Kohl J. Kohrman**, Macomb, MI (US); **Mark C. Trostle**, Rochester, MI (US); **Brian H. Nielander**, Royal Oak, MI (US)

See application file for complete search history.

(56) **References Cited**

U.S. PATENT DOCUMENTS

D829,945 S * 10/2018 Collins D26/28
D858,828 S * 9/2019 Song D26/28
D901,044 S * 11/2020 Lindloff D26/28

* cited by examiner

Primary Examiner — Marcus A Jackson

(72) Inventors: **Lou L. Gasevski**, West Bloomfield, MI (US); **Kohl J. Kohrman**, Macomb, MI (US); **Mark C. Trostle**, Rochester, MI (US); **Brian H. Nielander**, Royal Oak, MI (US)

(74) *Attorney, Agent, or Firm* — Ralph E. Smith

(73) Assignee: **FCA US LLC**, Auburn Hills, MI (US)

(57) **CLAIM**

(**) Term: **15 Years**

The ornamental design for a tail lamp, as shown and described.

(21) Appl. No.: **29/808,691**

DESCRIPTION

(22) Filed: **Sep. 22, 2021**

Related U.S. Application Data

FIG. 1 is a front perspective view of a tail lamp showing our new design;

(63) Continuation-in-part of application No. 29/720,402, filed on Jan. 13, 2020, now Pat. No. Des. 932,944.

FIG. 2 is a front upper perspective view thereof;

(51) **LOC (13) Cl.** **26-06**

FIG. 3 is a front view thereof;

(52) **U.S. Cl.**
USPC **D26/28**

FIG. 4 is a rear view thereof;

(58) **Field of Classification Search**

USPC D26/28–36, 139
CPC F21S 48/00; F21S 48/10; F21S 48/115;
F21S 48/225; F21S 48/1233; F21S
48/1266; F21S 48/1388; F21S 48/2268;

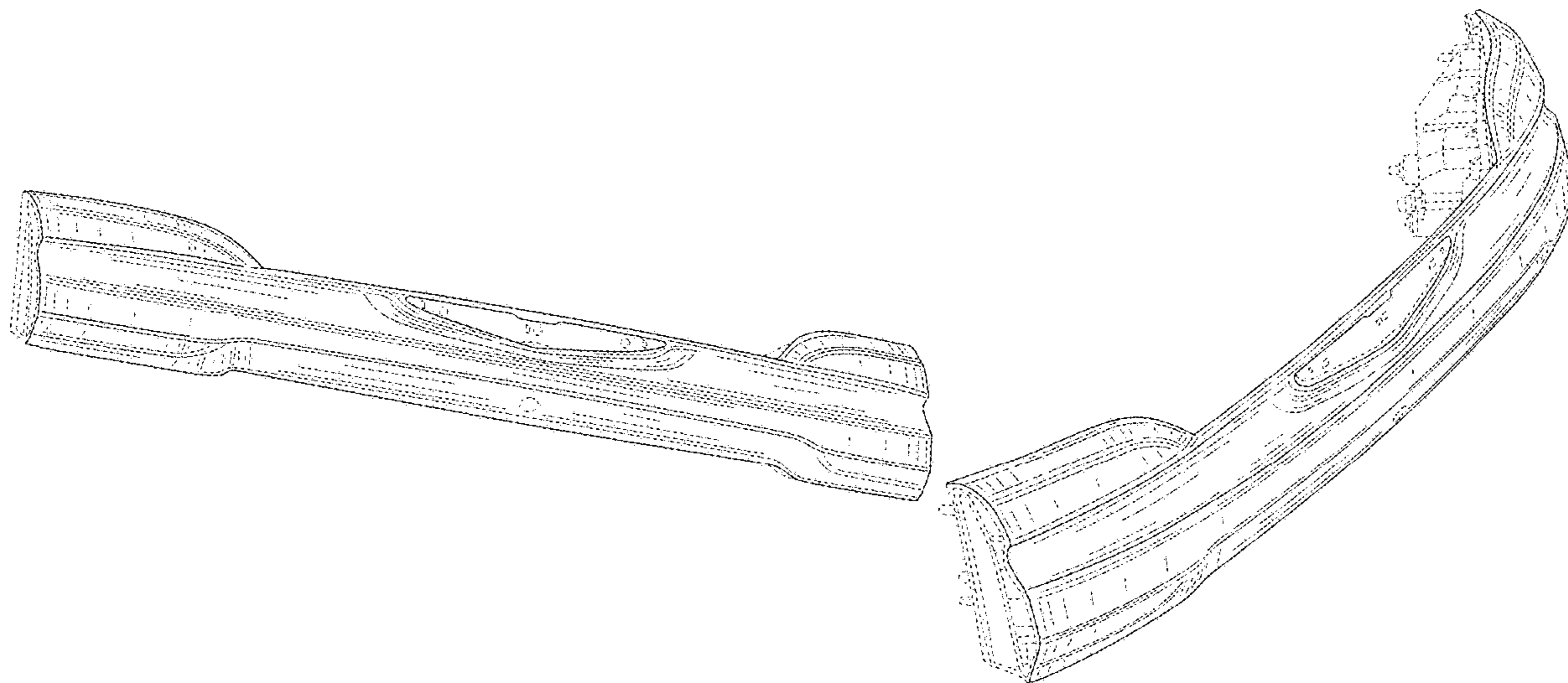
FIG. 5 is a side view thereof;

FIG. 6 is a top view thereof; and,

FIG. 7 is a bottom view thereof.

It will be understood that the broken lines shown in the drawings illustrate portions of the tail lamp that form no part of the claimed design.

1 Claim, 7 Drawing Sheets



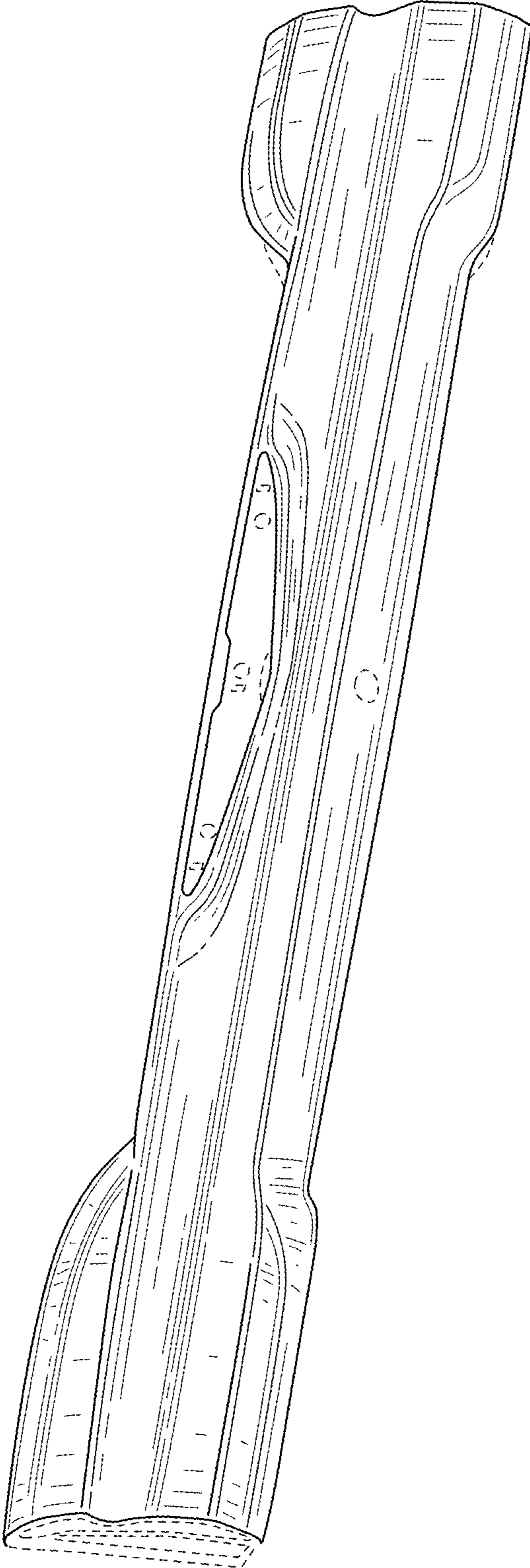


FIG. 1

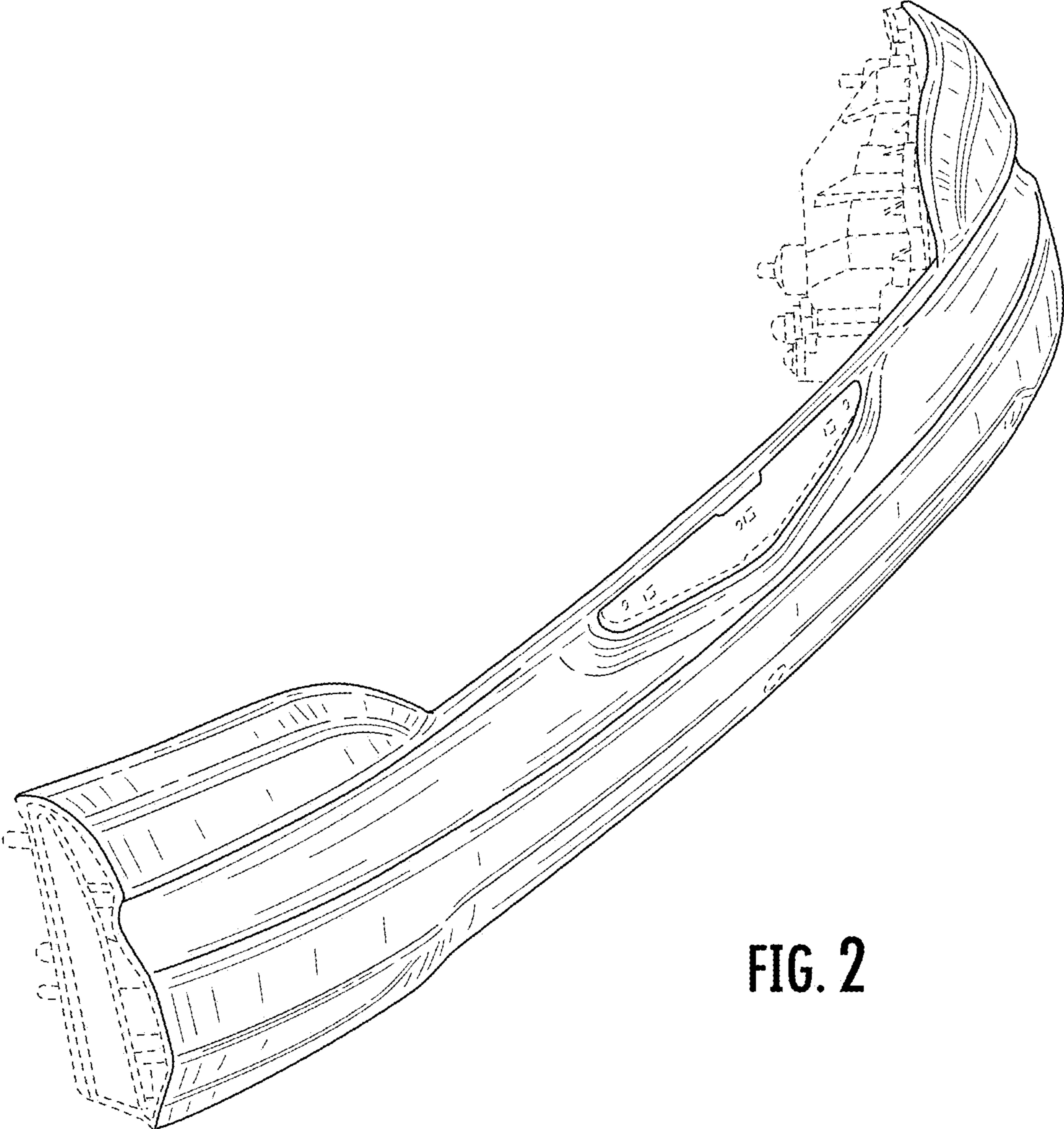


FIG. 2

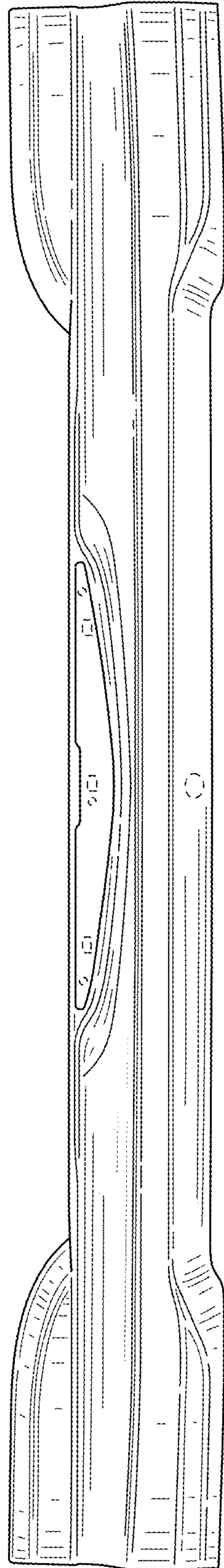


FIG. 3

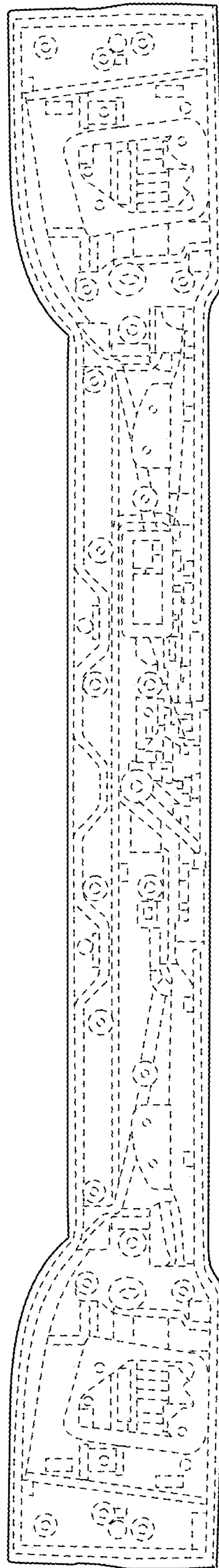


FIG. 4

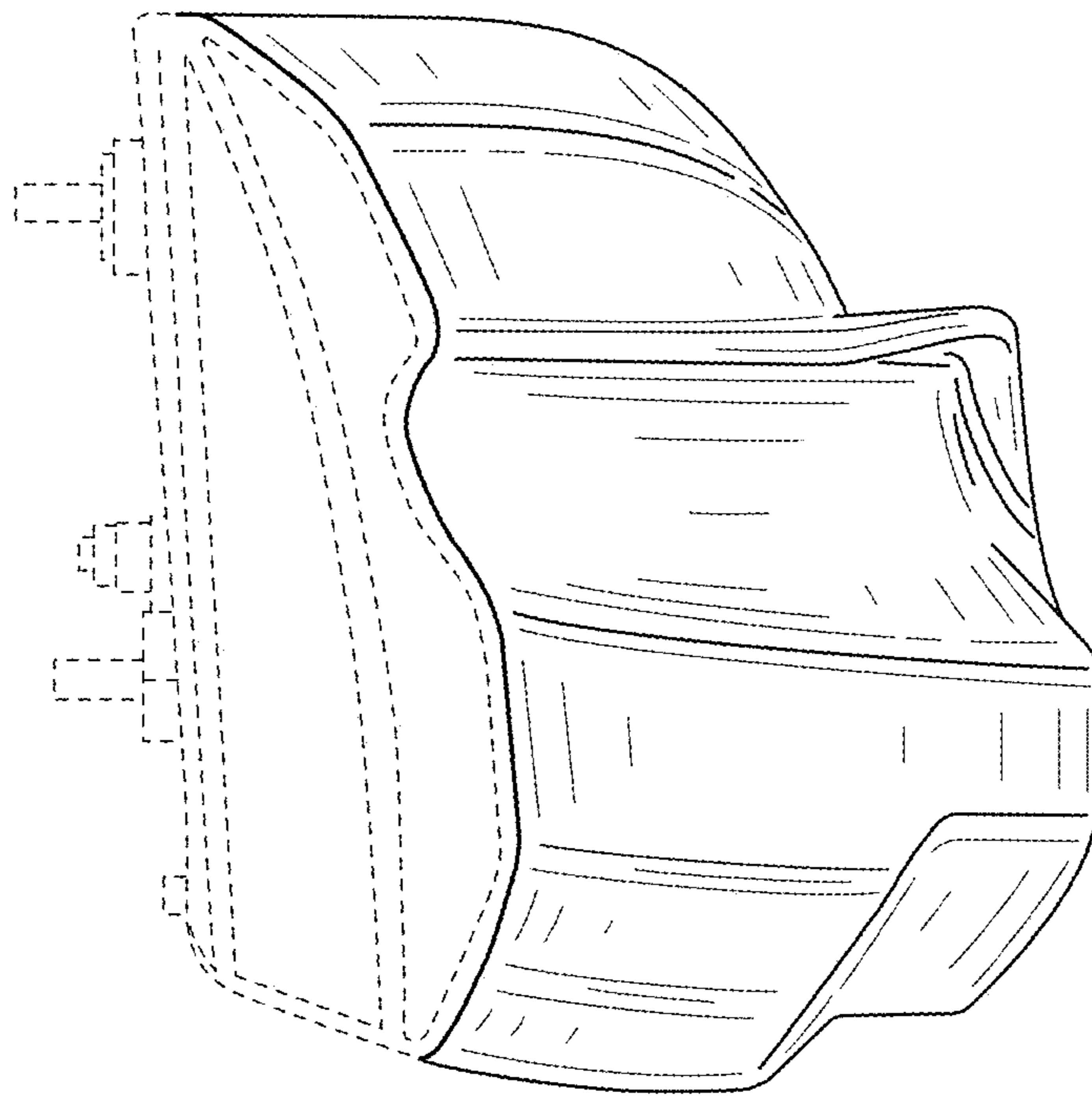


FIG. 5

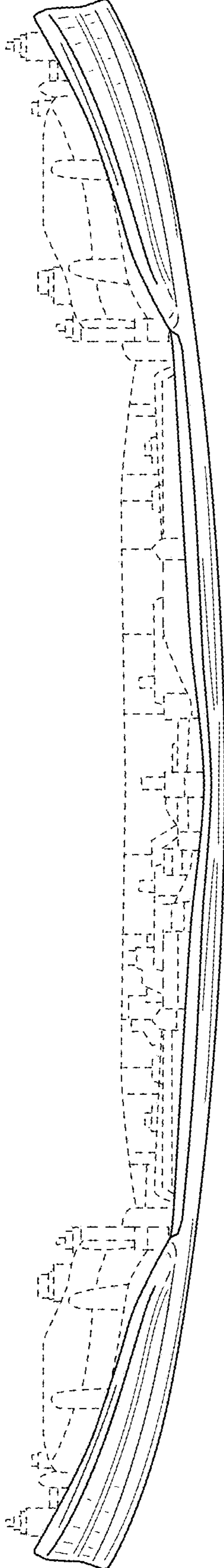


FIG. 6

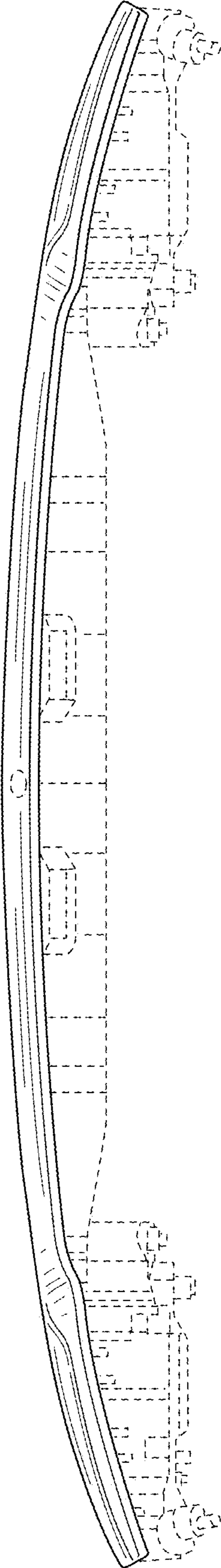


FIG. 7