



US00D952205S

(12) **United States Design Patent**  
**Gasevski et al.**

(10) **Patent No.:** **US D952,205 S**

(45) **Date of Patent:** **\*\* May 17, 2022**

(54) **FOG LIGHT**

(71) Applicants: **Lou L. Gasevski**, West Bloomfield, MI (US); **Kohl J. Kohrman**, Macomb, MI (US); **Mark C. Trostle**, Rochester, MI (US); **Brian H. Nielander**, Royal Oak, MI (US)

(72) Inventors: **Lou L. Gasevski**, West Bloomfield, MI (US); **Kohl J. Kohrman**, Macomb, MI (US); **Mark C. Trostle**, Rochester, MI (US); **Brian H. Nielander**, Royal Oak, MI (US)

(73) Assignee: **FCA US LLC**, Auburn Hills, MI (US)

(\*\*) Term: **15 Years**

(21) Appl. No.: **29/808,685**

(22) Filed: **Sep. 22, 2021**

**Related U.S. Application Data**

(63) Continuation-in-part of application No. 29/720,402, filed on Jan. 13, 2020, now Pat. No. Des. 932,944.

(51) **LOC (13) Cl.** ..... **26-06**

(52) **U.S. Cl.**  
USPC ..... **D26/28**

(58) **Field of Classification Search**  
USPC ..... D26/28-36, 139

CPC ..... F21S 48/00; F21S 48/10; F21S 48/115; F21S 48/225; F21S 48/1233; F21S 48/1266; F21S 48/1388; F21S 48/2268; F21V 5/00; F21V 21/04; F21V 29/004; B60Q 9/13; B60Q 9/135; B60Q 9/1375  
See application file for complete search history.

(56) **References Cited**

U.S. PATENT DOCUMENTS

D411,635 S \* 6/1999 Philipot ..... D26/28  
D498,549 S \* 11/2004 Campagna ..... D26/28  
D913,539 S \* 3/2021 Maxey ..... D26/28

\* cited by examiner

*Primary Examiner* — Marcus A Jackson

(74) *Attorney, Agent, or Firm* — Ralph E. Smith

(57) **CLAIM**

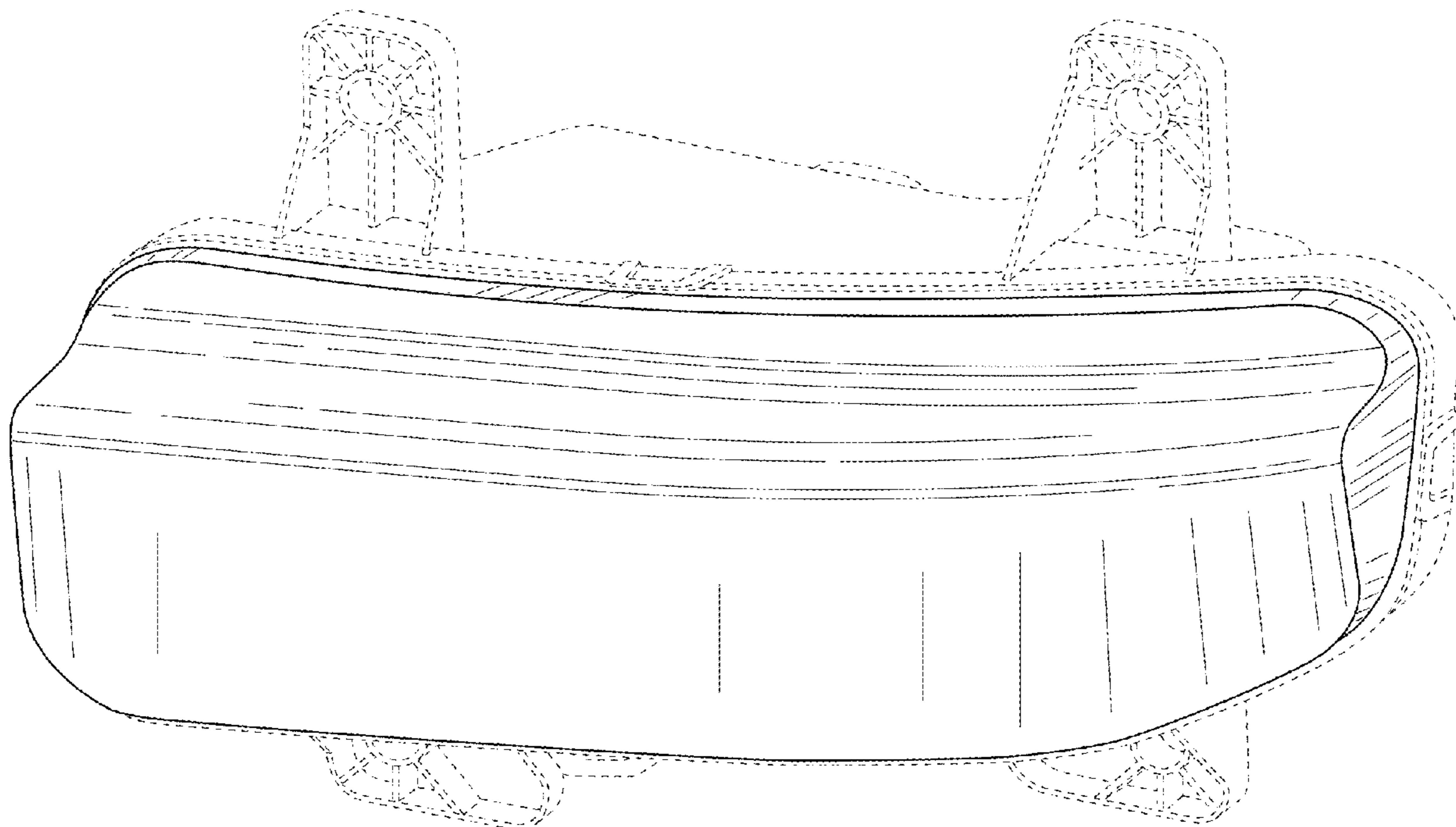
The ornamental design for a fog light, as shown and described.

**DESCRIPTION**

FIG. 1 is a front perspective view of a fog light showing our new design;  
FIG. 2 is a front view thereof;  
FIG. 3 is a rear view thereof;  
FIG. 4 is a top view thereof;  
FIG. 5 is a bottom view thereof; and,  
FIG. 6 is a side view thereof.

It will be understood that the broken lines shown in the drawings illustrate portions of the fog light that form no part of the claimed design.

**1 Claim, 6 Drawing Sheets**



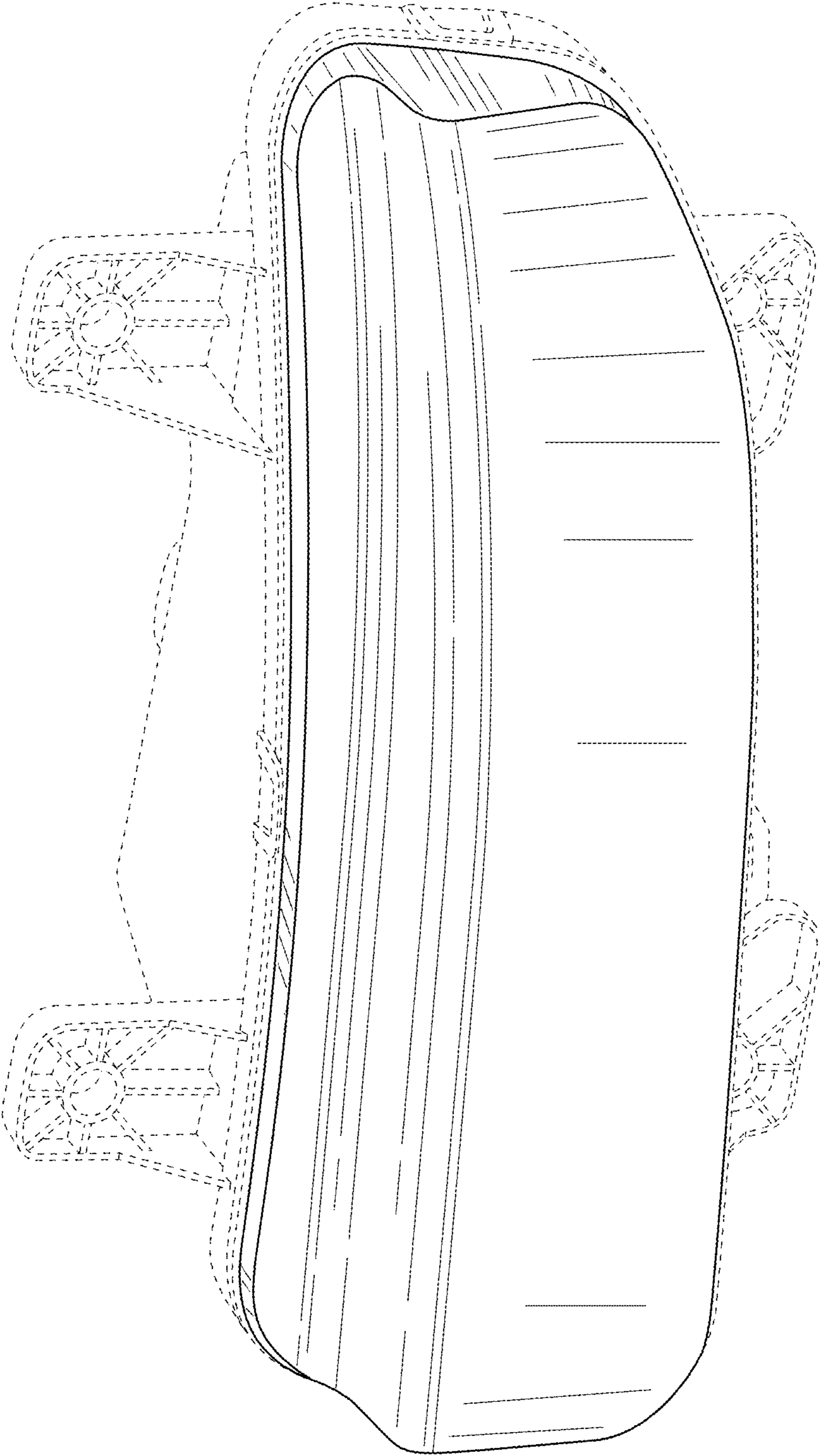


FIG. 1

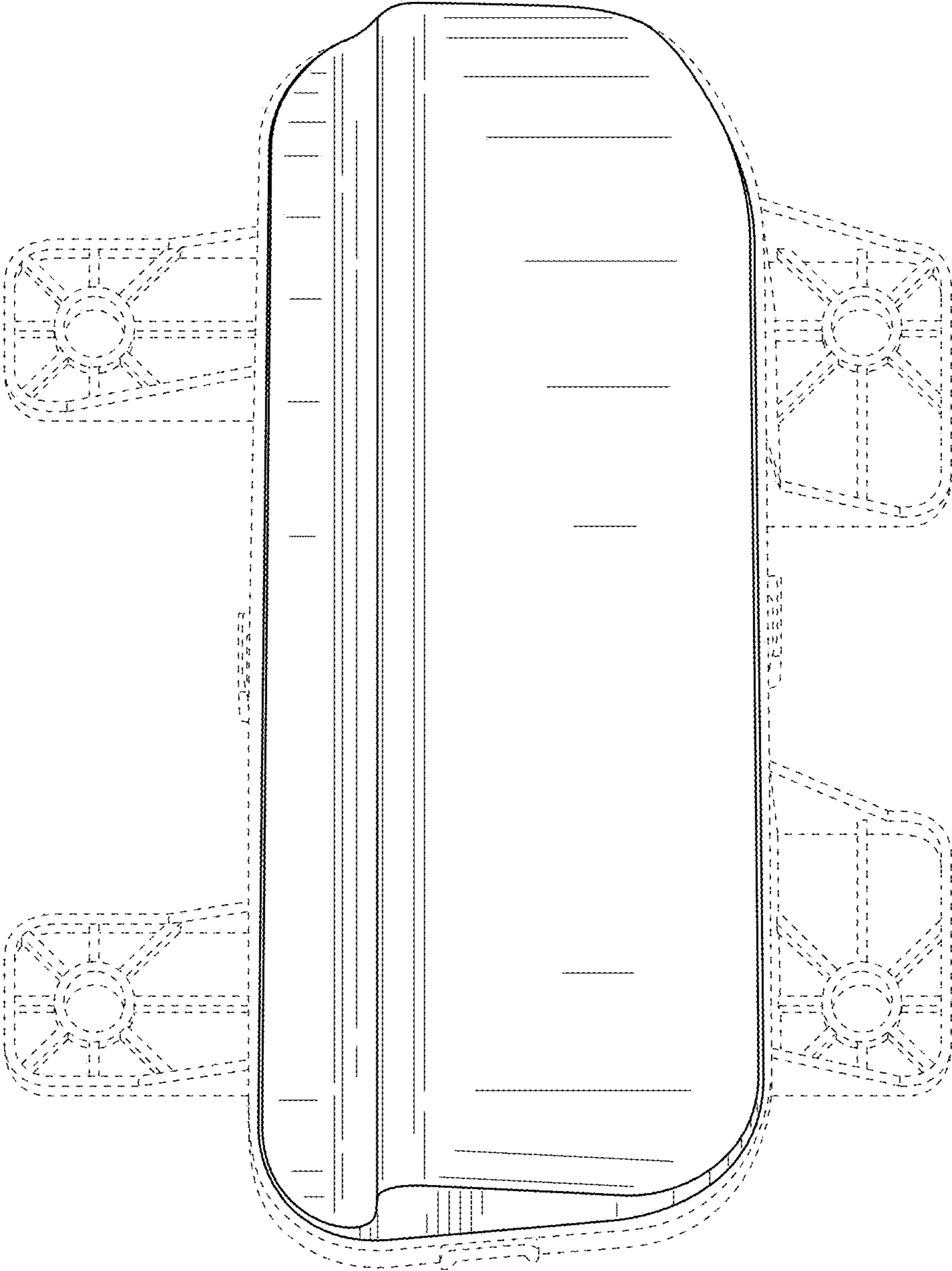


FIG. 2

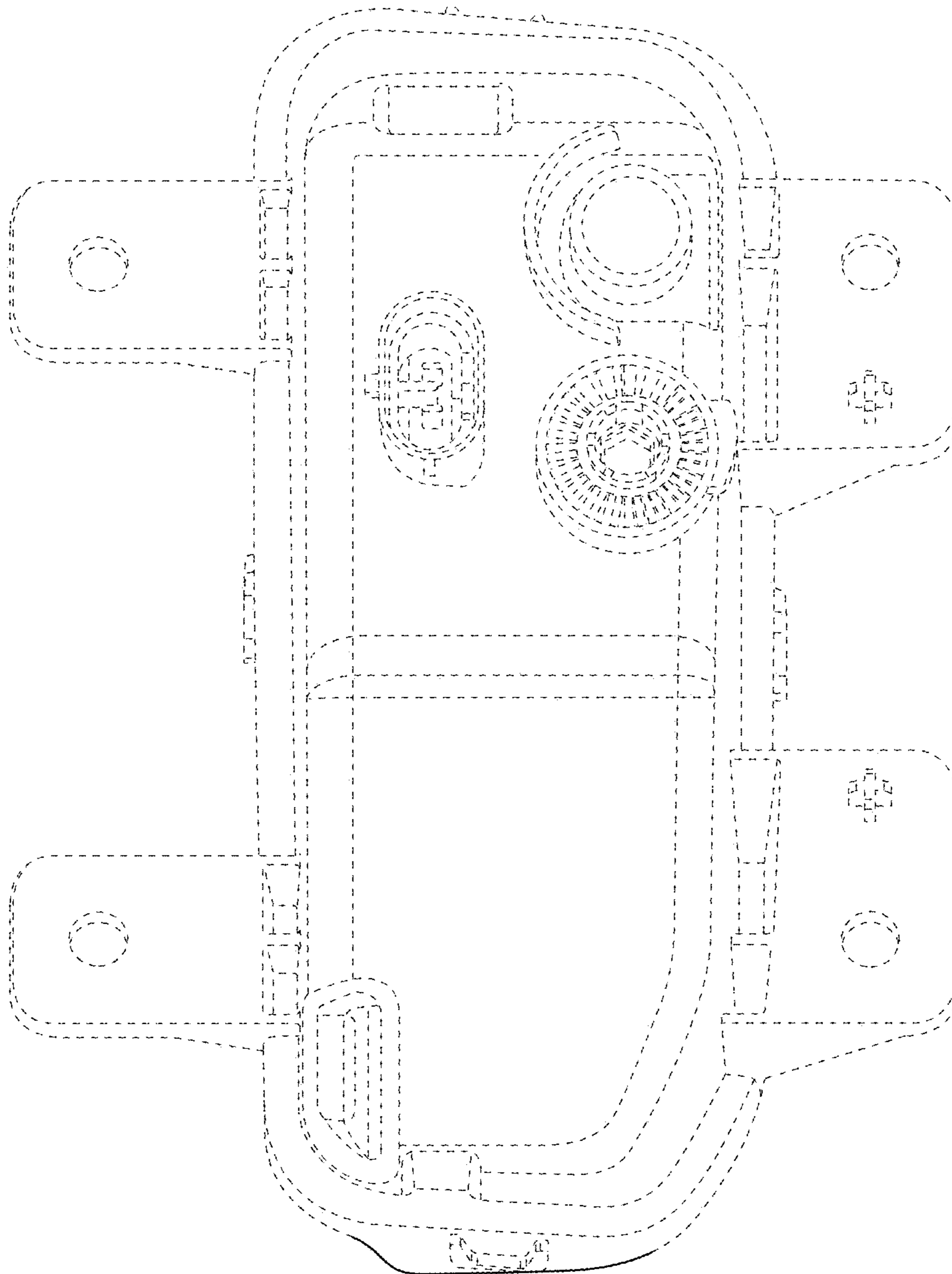


FIG. 3

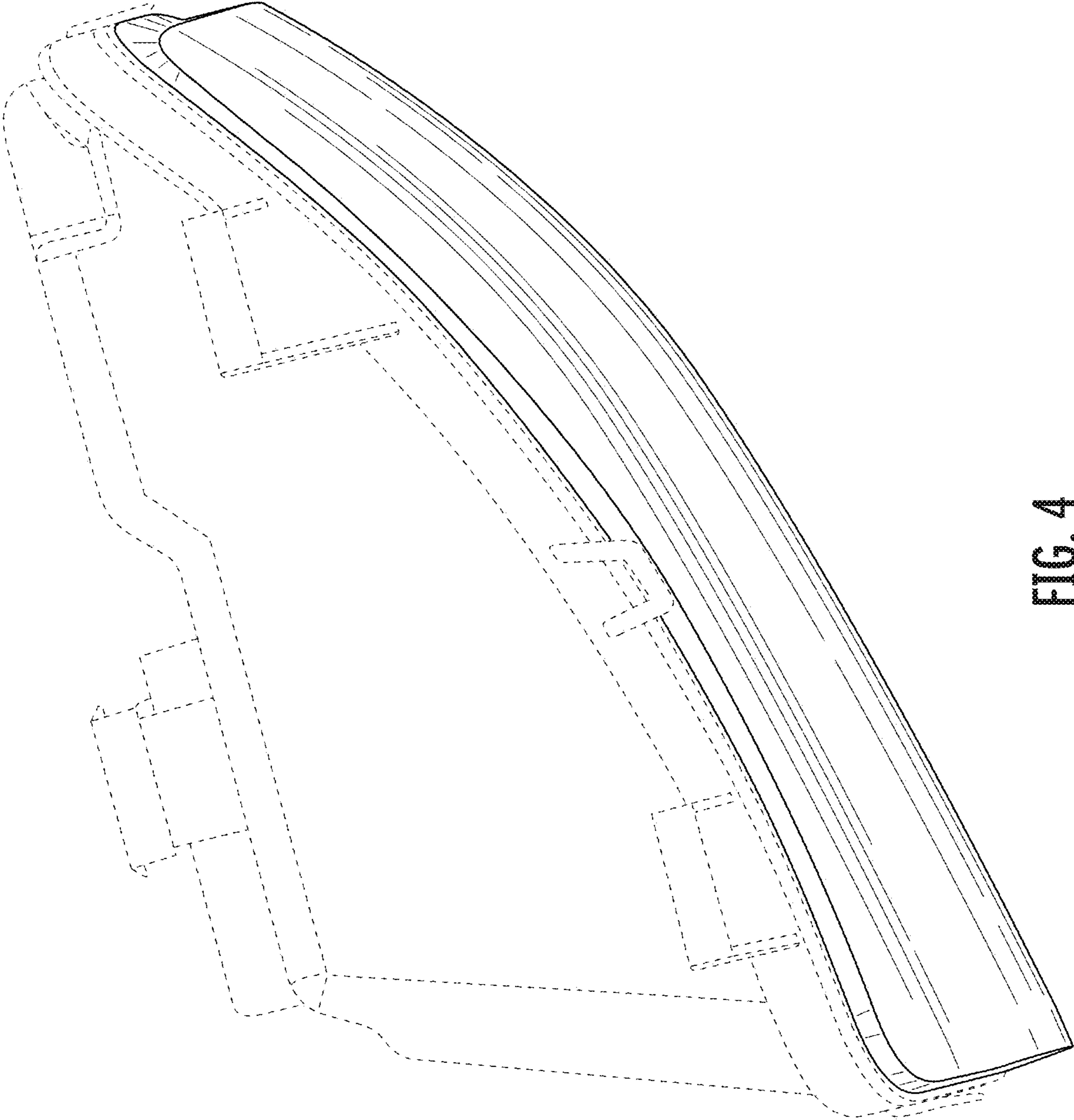


FIG. 4

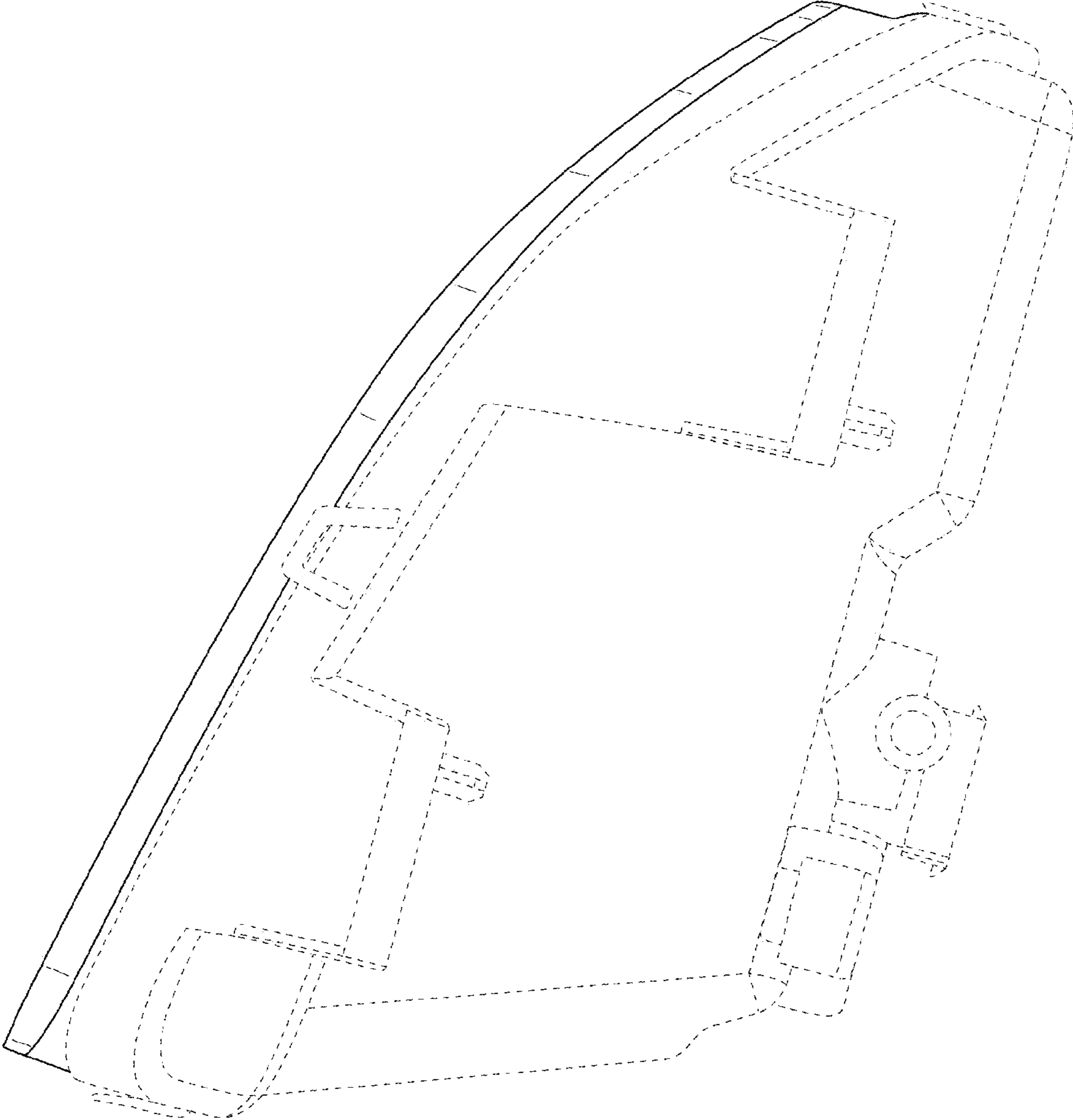


FIG. 5

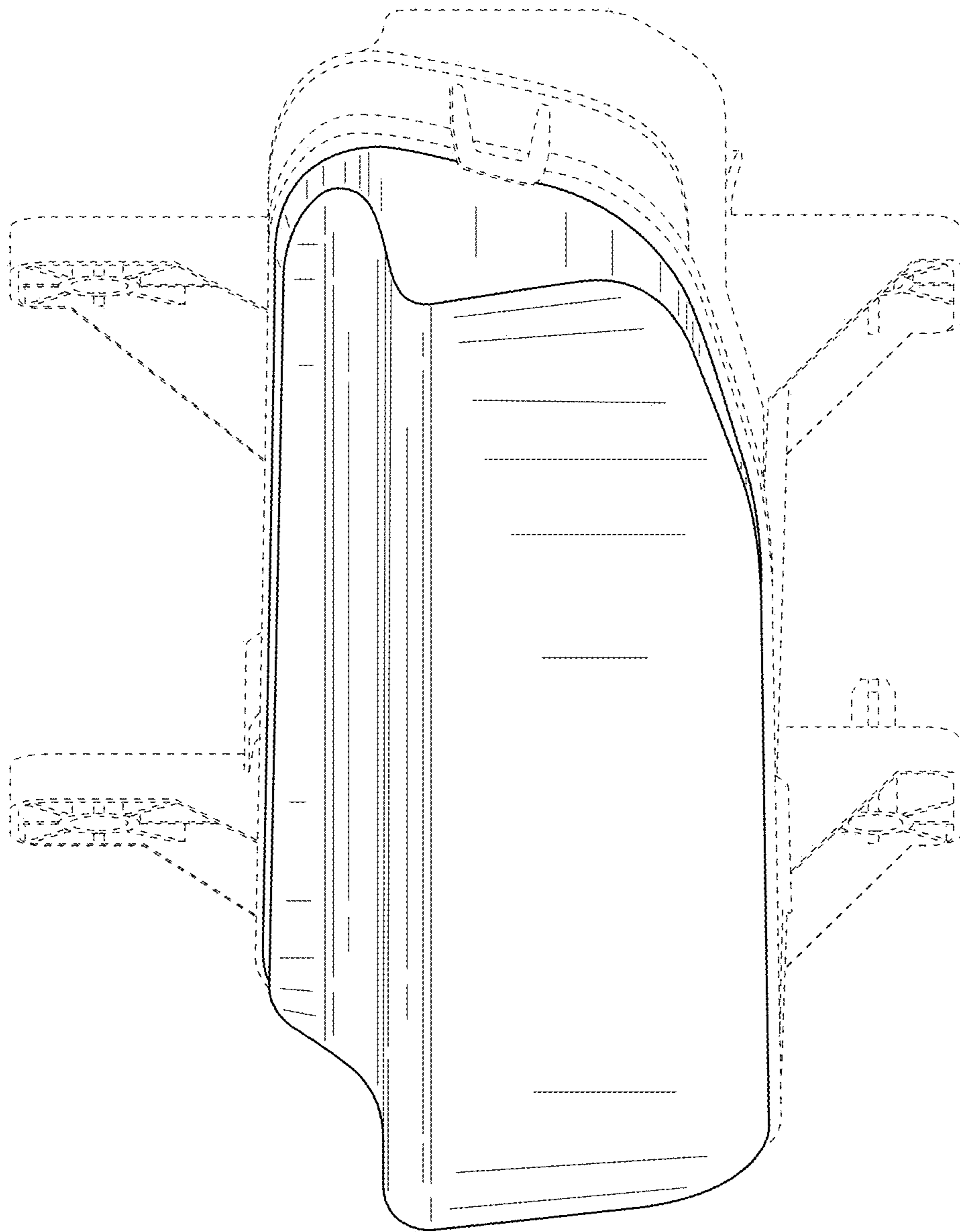


FIG. 6