



US00D952201S

(12) **United States Design Patent**  
**LaMarche et al.**

(10) **Patent No.:** **US D952,201 S**

(45) **Date of Patent:** **\*\* May 17, 2022**

(54) **LIGHT FIXTURE**

(71) Applicant: **JST Performance, LLC**, Gilbert, AZ  
(US)

(72) Inventors: **Bradley J. LaMarche**, Gilbert, AZ  
(US); **Pete D. Sibitzky**, Lakeside, CA  
(US); **James A. DeLong**, Chandler, AZ  
(US)

(73) Assignee: **JST Performance, LLC**, Gilbert, AZ  
(US)

(\*\*) Term: **15 Years**

(21) Appl. No.: **29/697,701**

(22) Filed: **Jul. 10, 2019**

(51) **LOC (13) Cl.** ..... **26-06**

(52) **U.S. Cl.**  
USPC ..... **D26/28**

(58) **Field of Classification Search**  
USPC ..... D26/28-36, 139  
CPC ..... F21S 48/00; F21S 48/10; F21S 48/115;  
F21S 48/225; F21S 48/1233; F21S  
48/1266; F21S 48/1388; F21S 48/2268;  
F21V 21/04; F21V 29/004; B60Q 9/13;  
B60Q 9/135; B60Q 9/1375  
See application file for complete search history.

(56) **References Cited**

**U.S. PATENT DOCUMENTS**

D747,516 S \* 1/2016 Yang ..... D26/28  
D775,381 S \* 12/2016 Jacq ..... D26/28  
D780,350 S \* 2/2017 Dennis ..... D26/28

D787,717 S \* 5/2017 Jacq ..... D26/28  
D788,334 S \* 5/2017 Jacq ..... D26/28  
D799,078 S \* 10/2017 Liu ..... D26/28  
D799,080 S \* 10/2017 Dennis ..... D26/28  
D800,361 S \* 10/2017 Robertson ..... D26/28

\* cited by examiner

*Primary Examiner* — Marcus A Jackson

(74) *Attorney, Agent, or Firm* — Calfee, Halter &  
Griswold LLP

(57) **CLAIM**

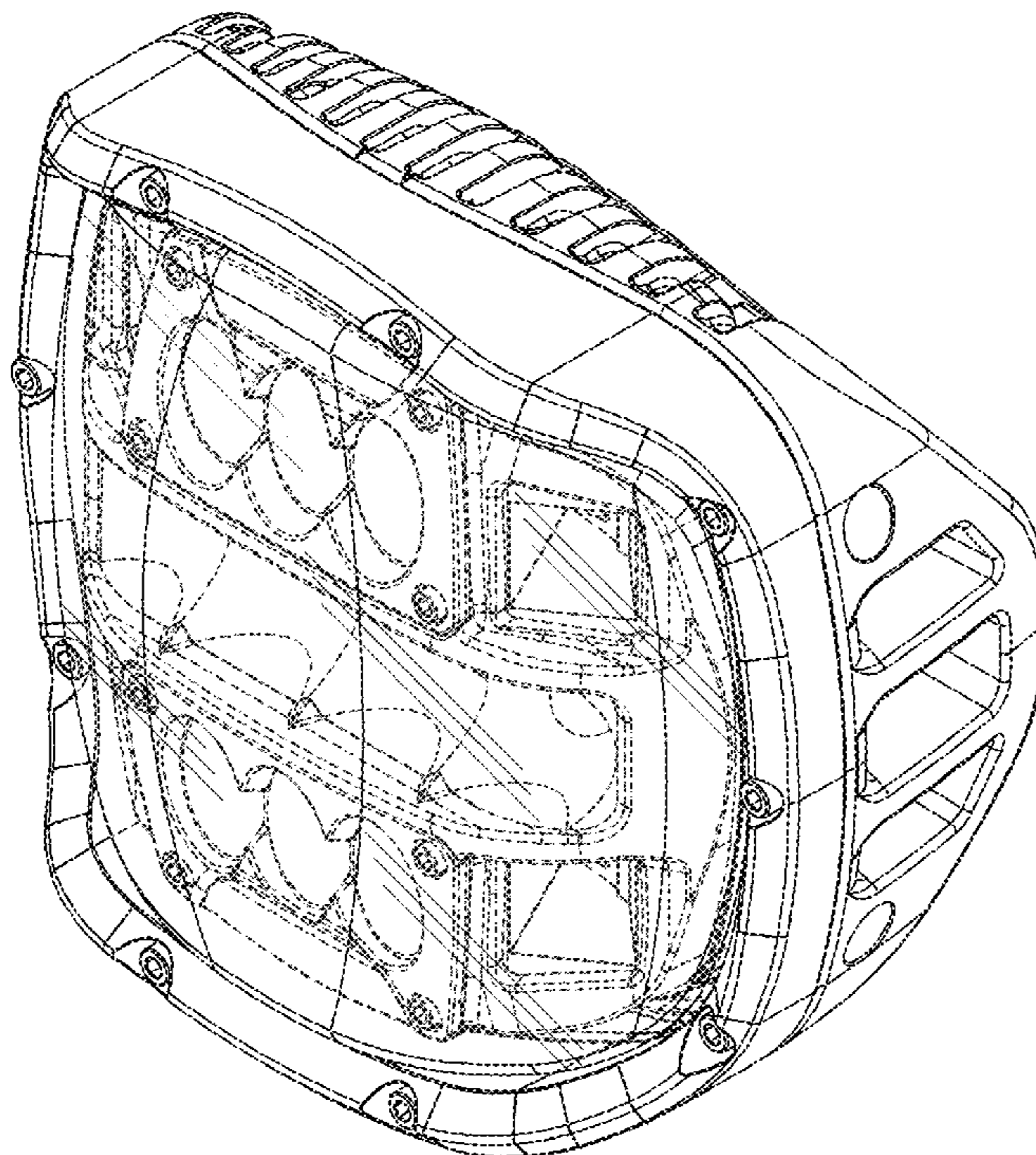
The ornamental design for a light fixture, as shown and described.

**DESCRIPTION**

FIG. 1 is a front, top, right, perspective view of a light fixture showing our new design;  
FIG. 2 is a front, top, left, perspective view thereof;  
FIG. 3 is a front, bottom, right, perspective view thereof;  
FIG. 4 is a front, bottom, left, perspective view thereof;  
FIG. 5 is a back, top, right, perspective view thereof;  
FIG. 6 is a back, top, left, perspective view thereof;  
FIG. 7 is a back, bottom, right, perspective view thereof;  
FIG. 8 is a back, bottom, left perspective view thereof;  
FIG. 9 is a front side view thereof;  
FIG. 10 is a back side view thereof;  
FIG. 11 is a right side view thereof;  
FIG. 12 is a left side view thereof;  
FIG. 13 is a top view thereof; and,  
FIG. 14 is a top view thereof.

The broken lines in the drawings illustrate portions of the light fixture which form no part of the claimed design.

**1 Claim, 14 Drawing Sheets**



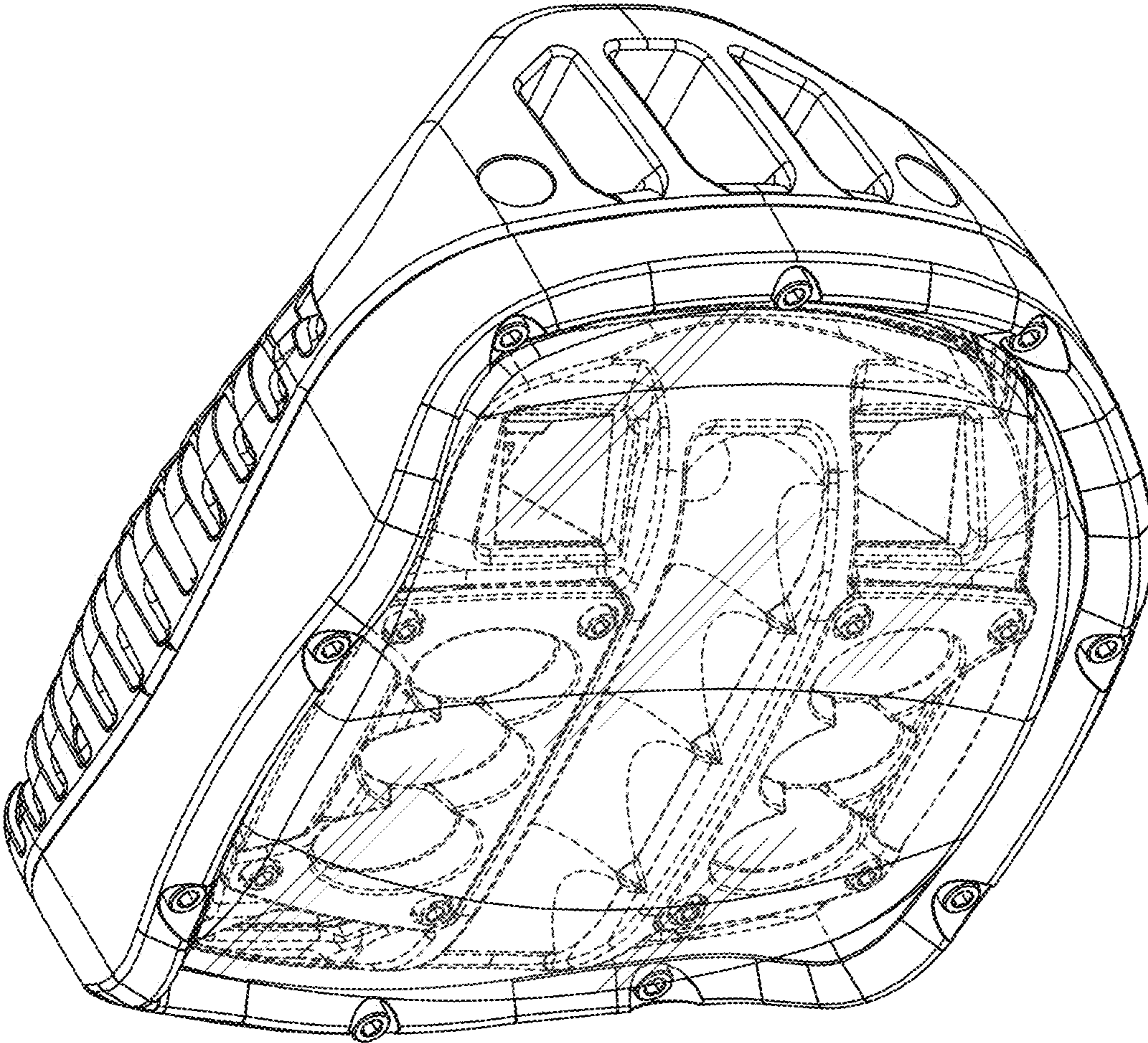


FIG. 1

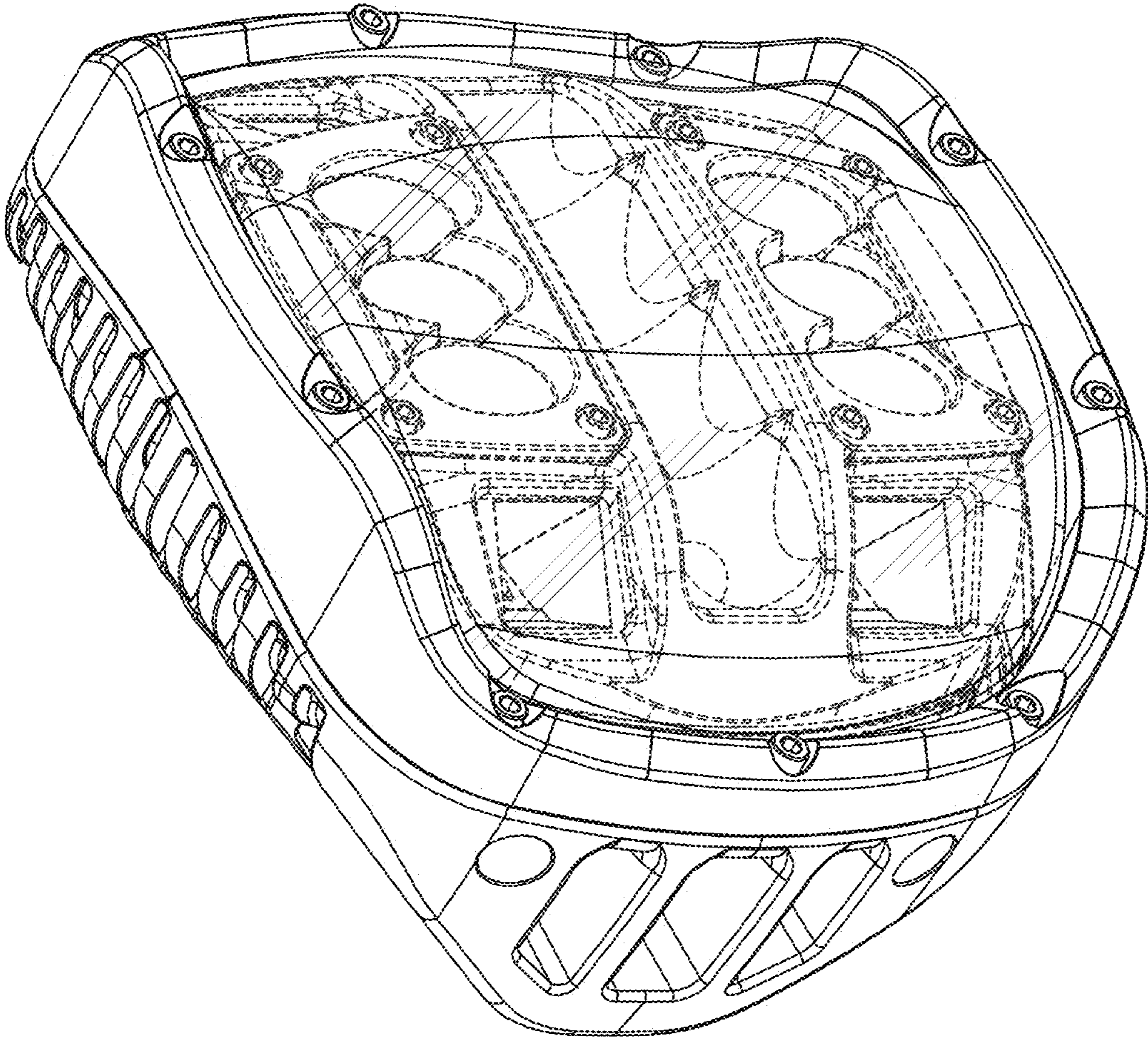


FIG. 2

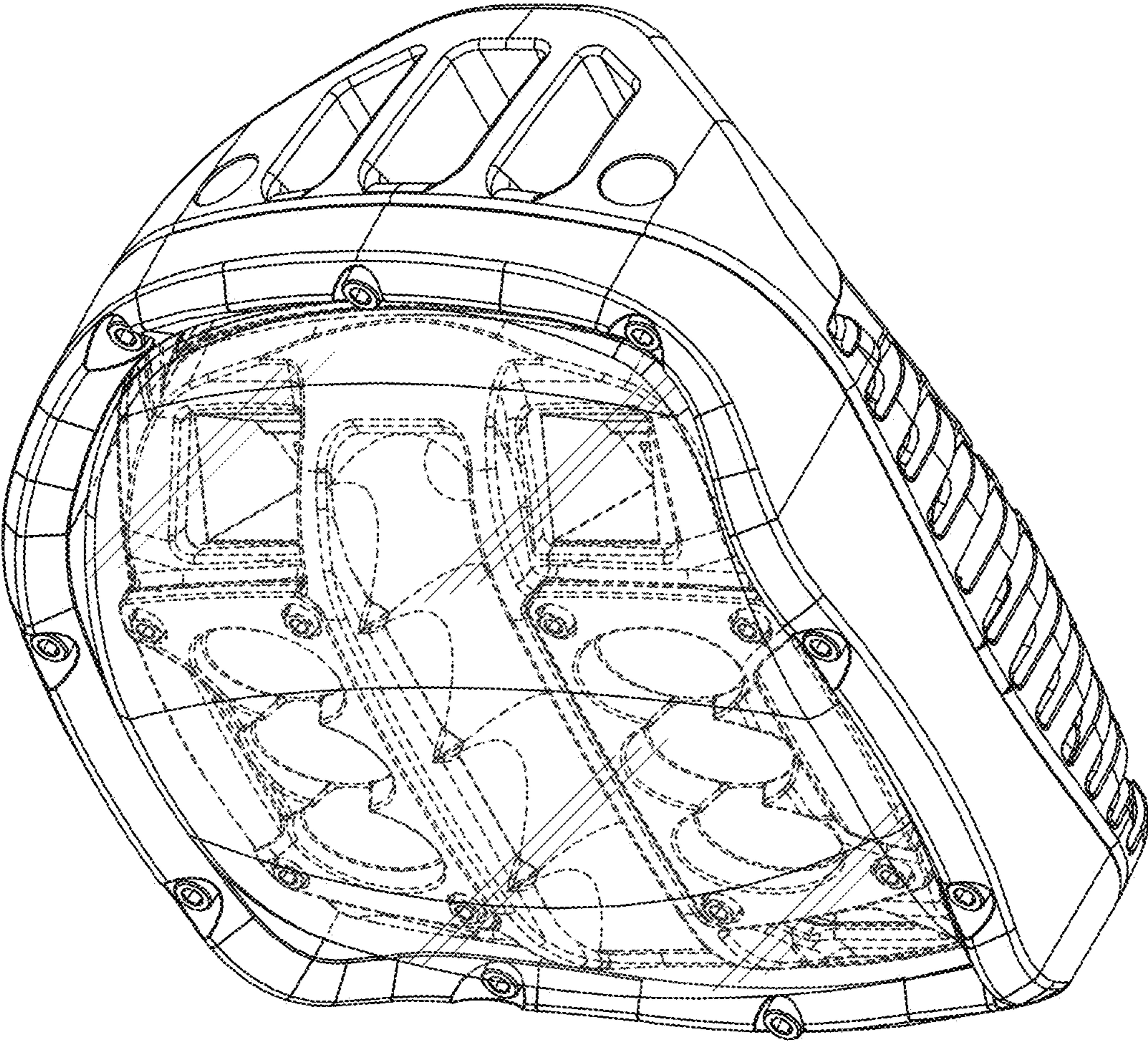


FIG. 3

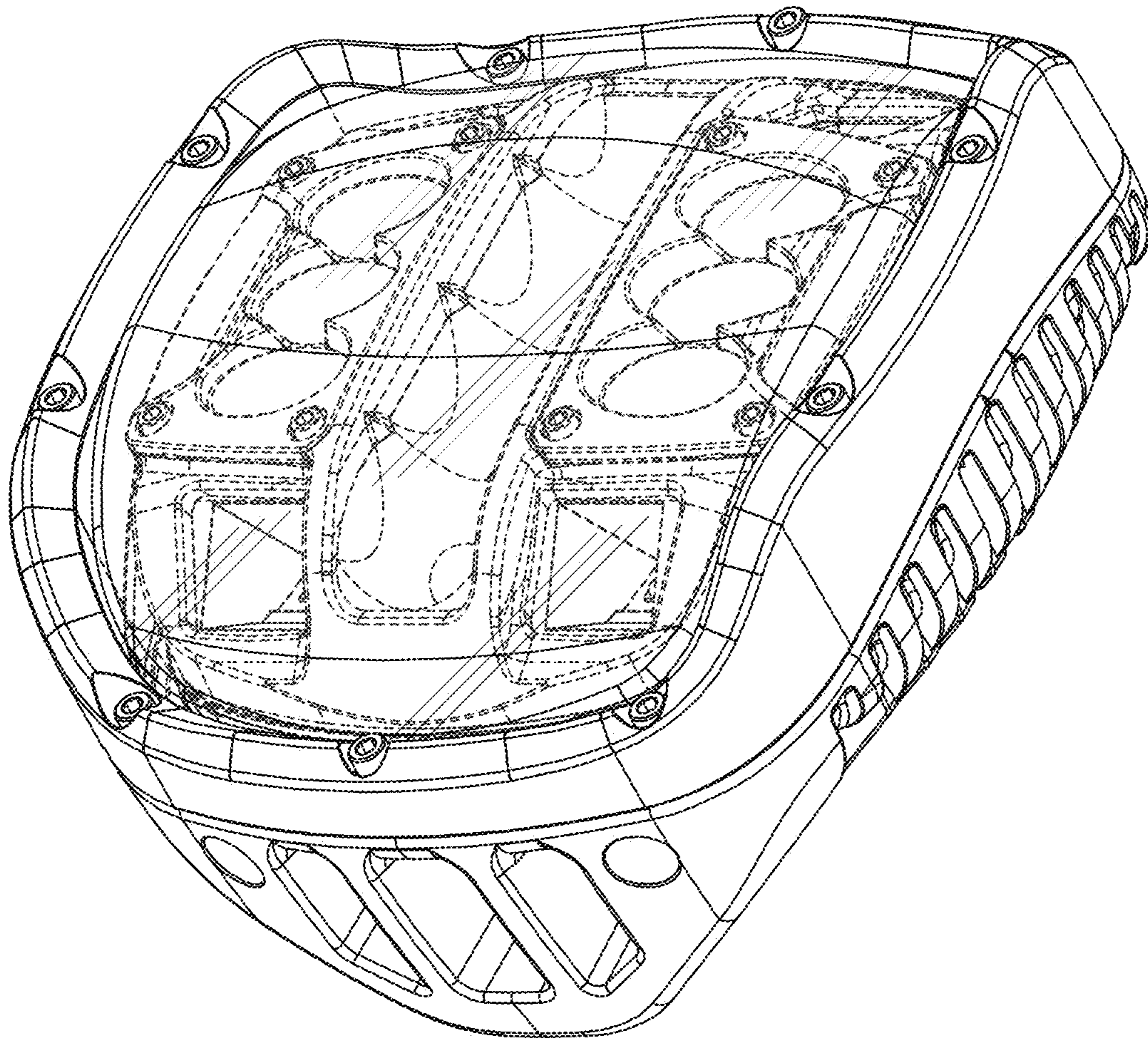


FIG. 4

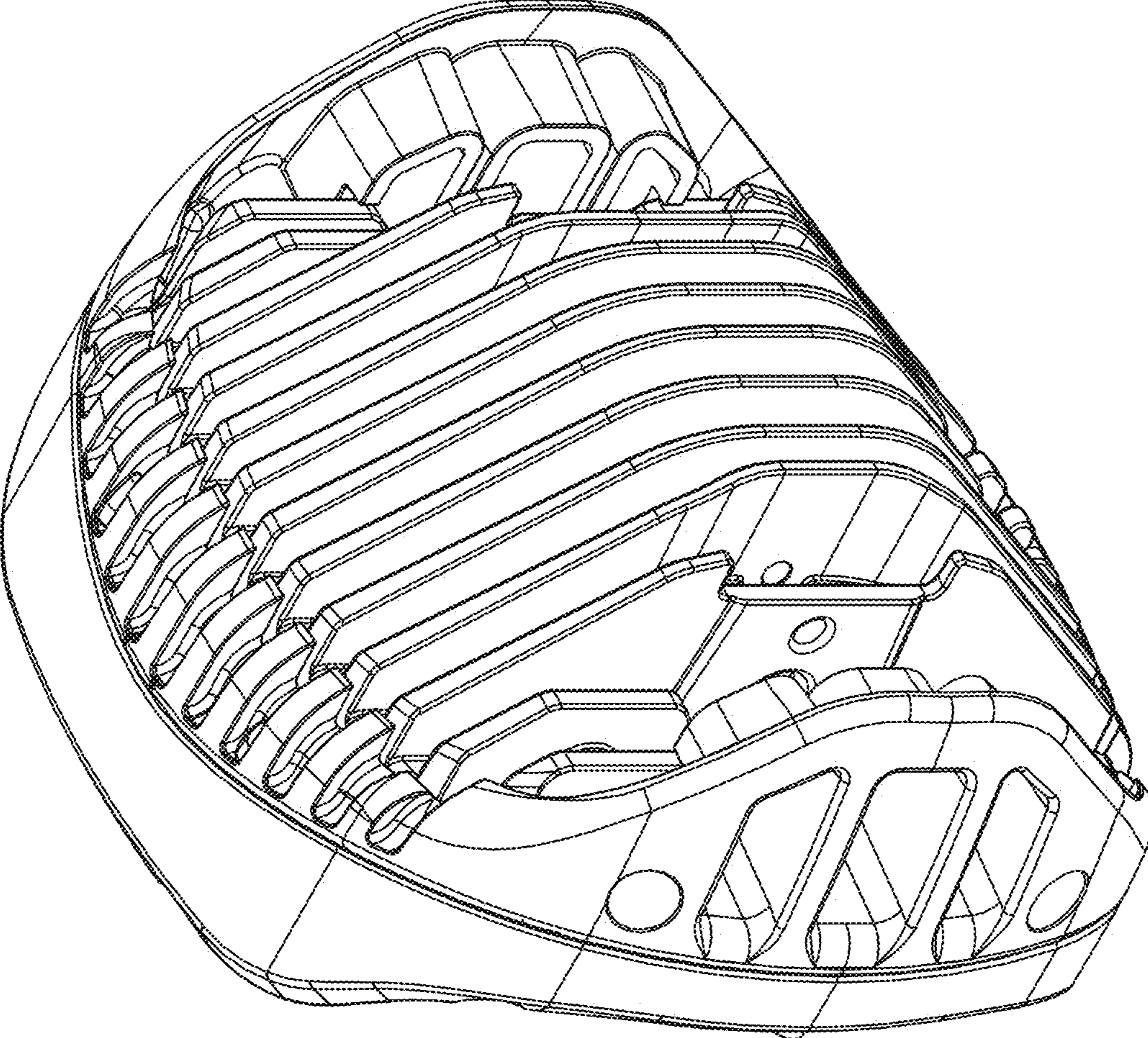


FIG. 5

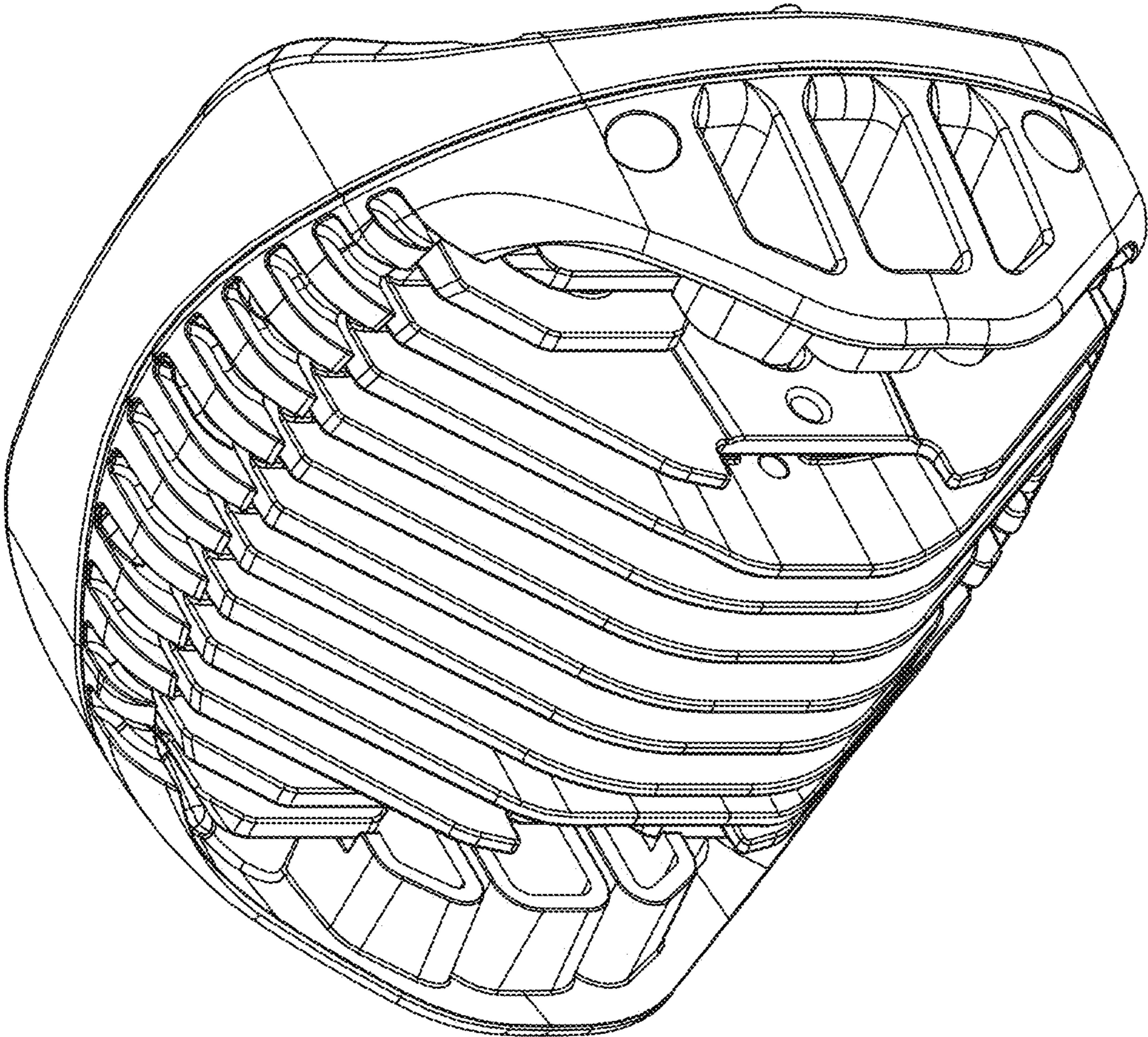


FIG. 6

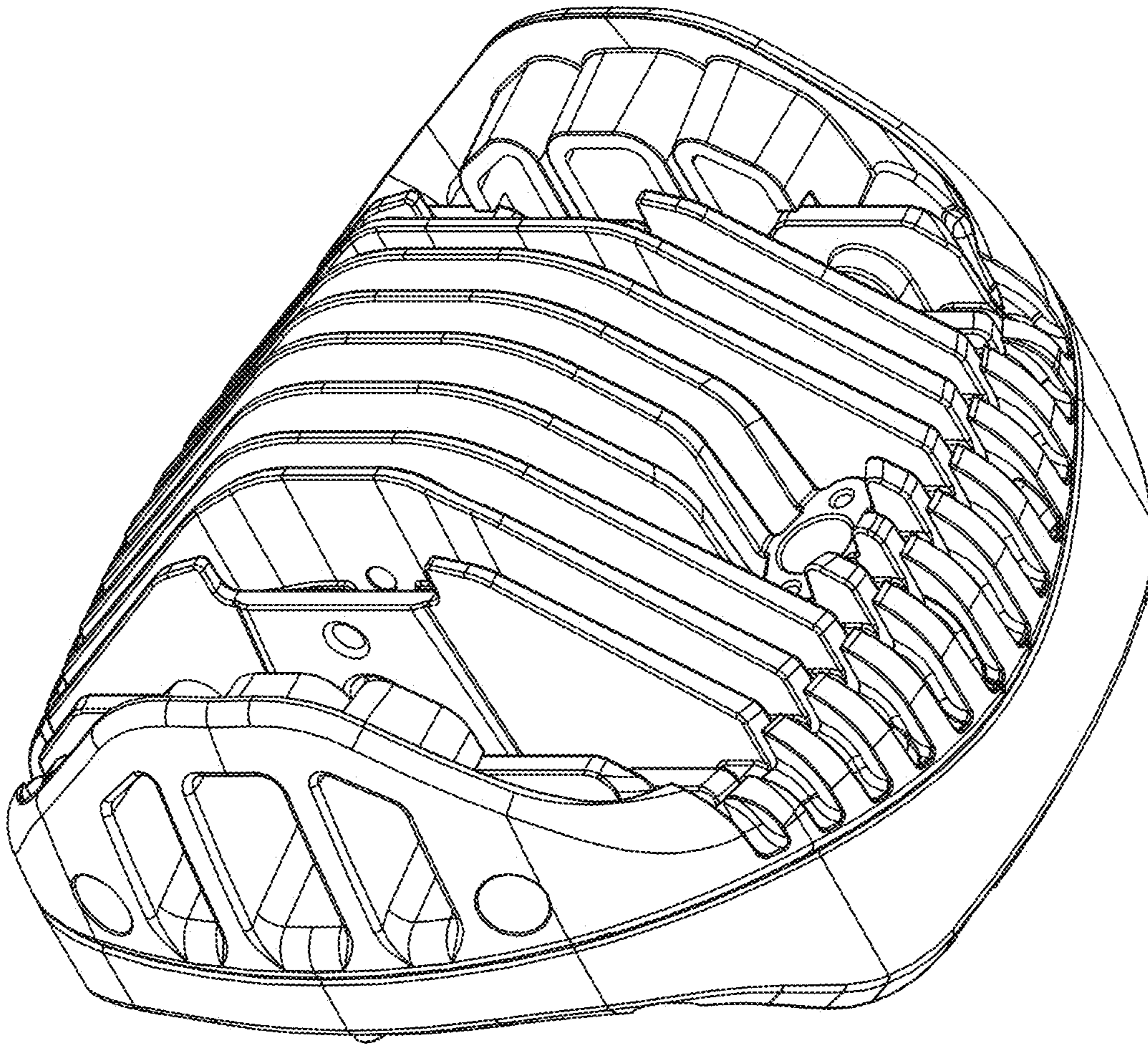


FIG. 7



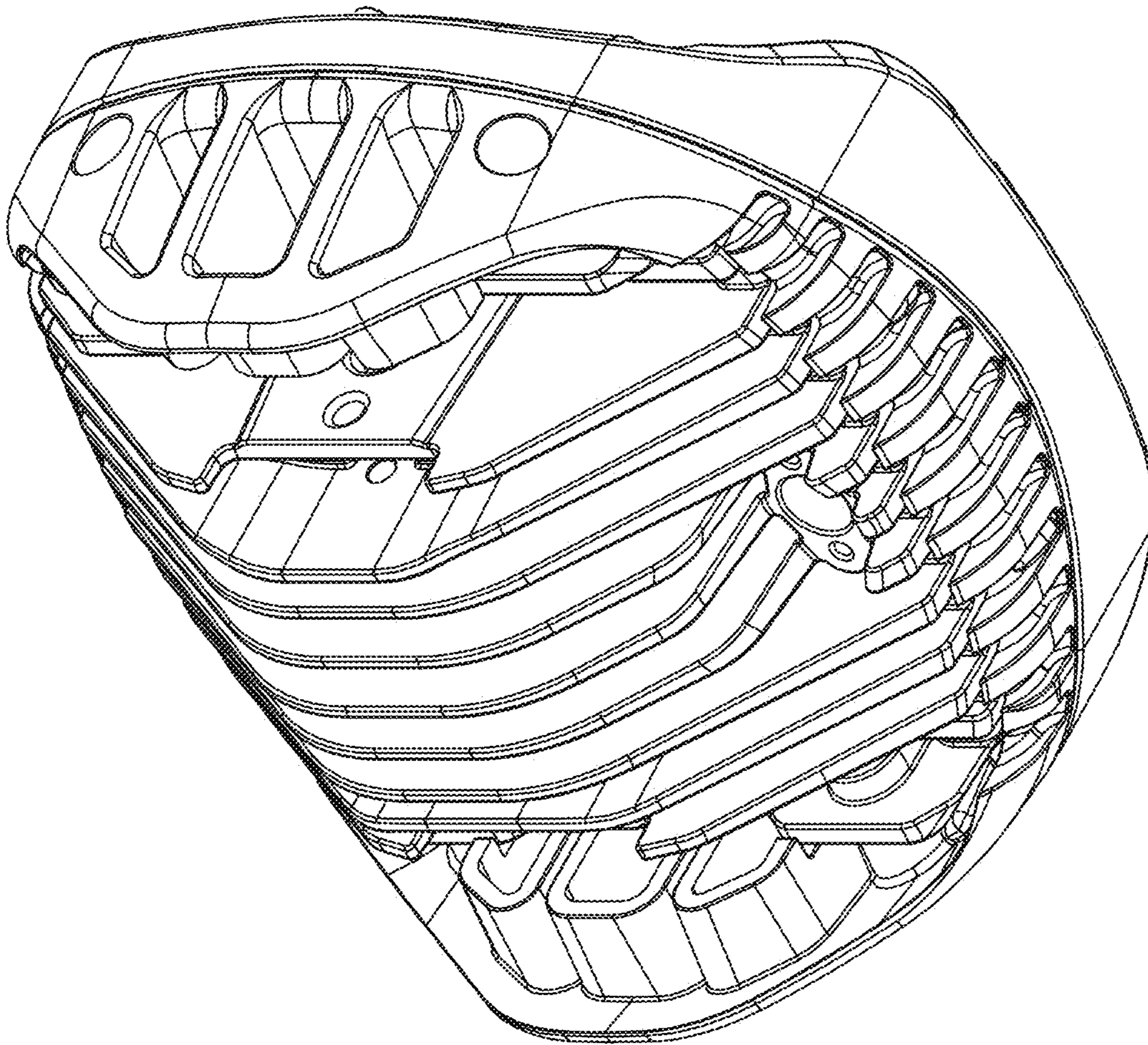


FIG. 8

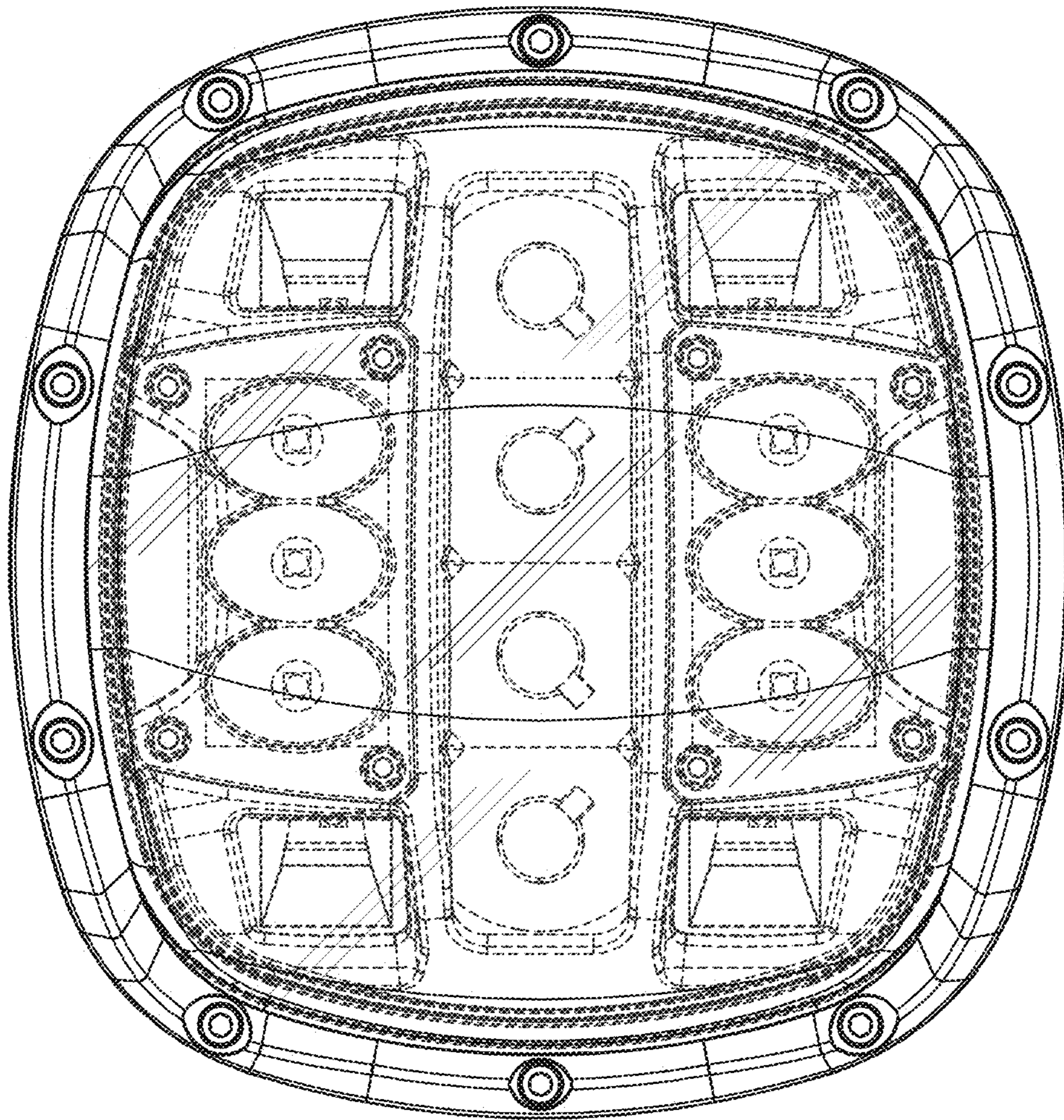


FIG. 9

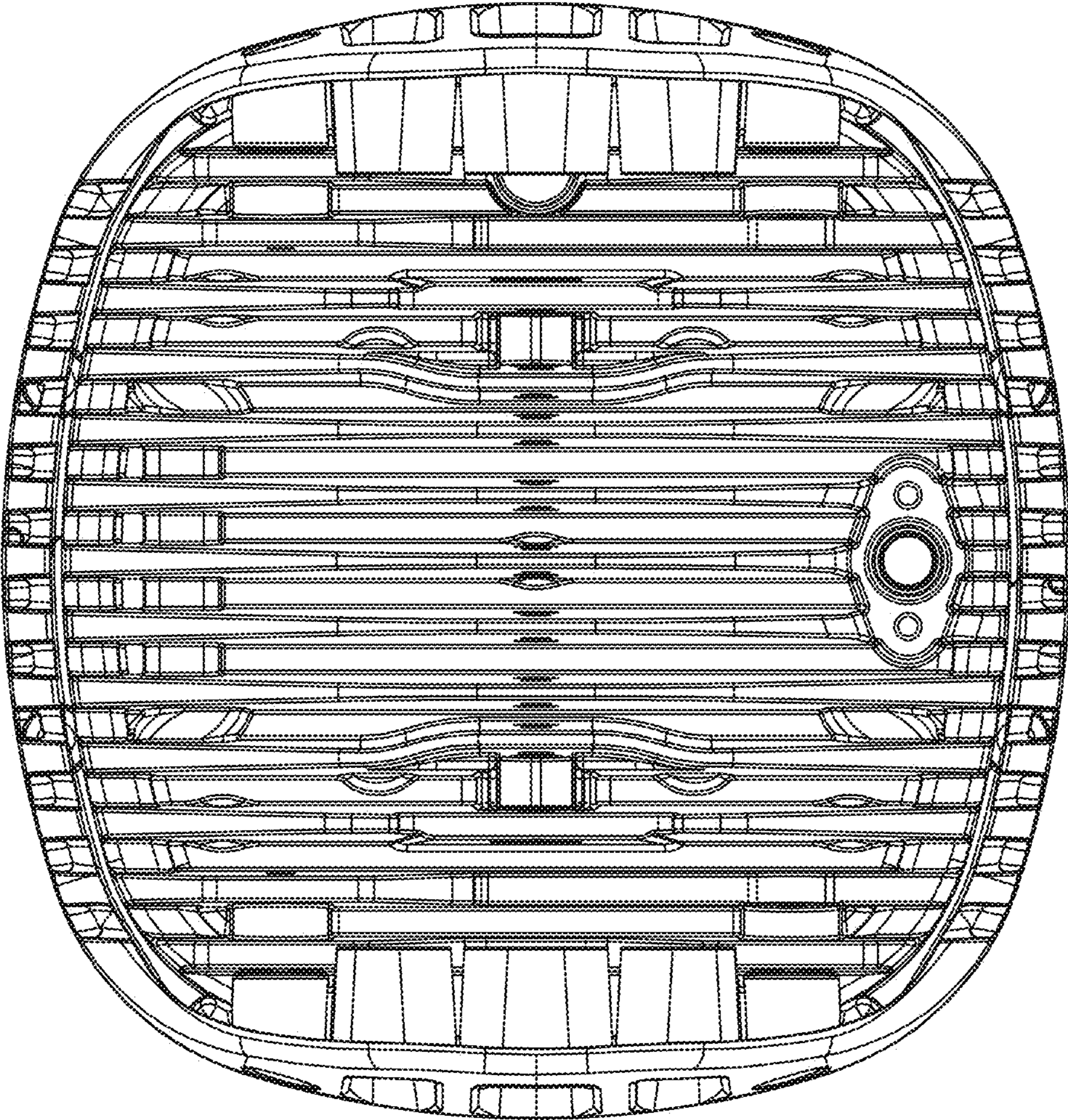


FIG. 10

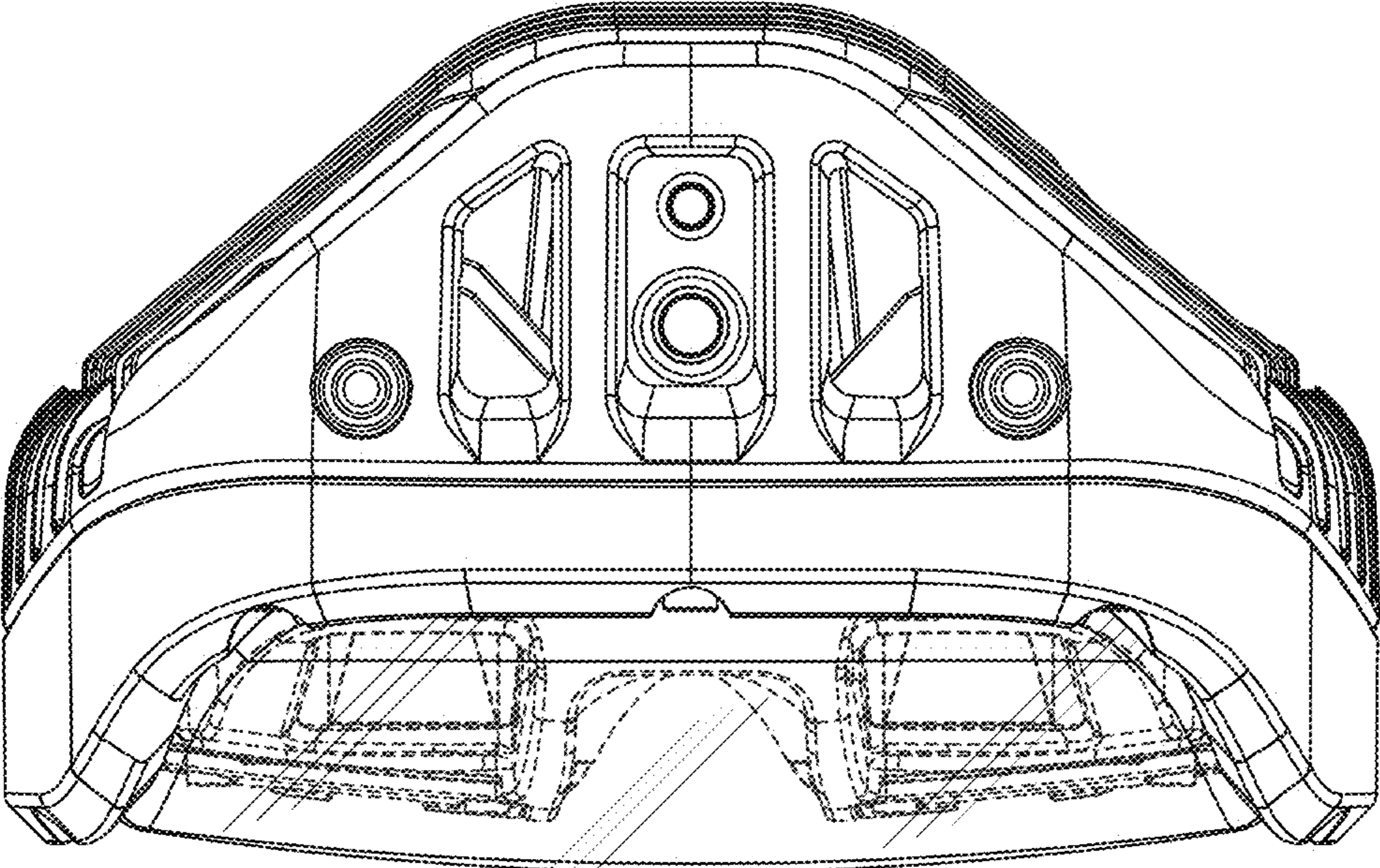


FIG. 11

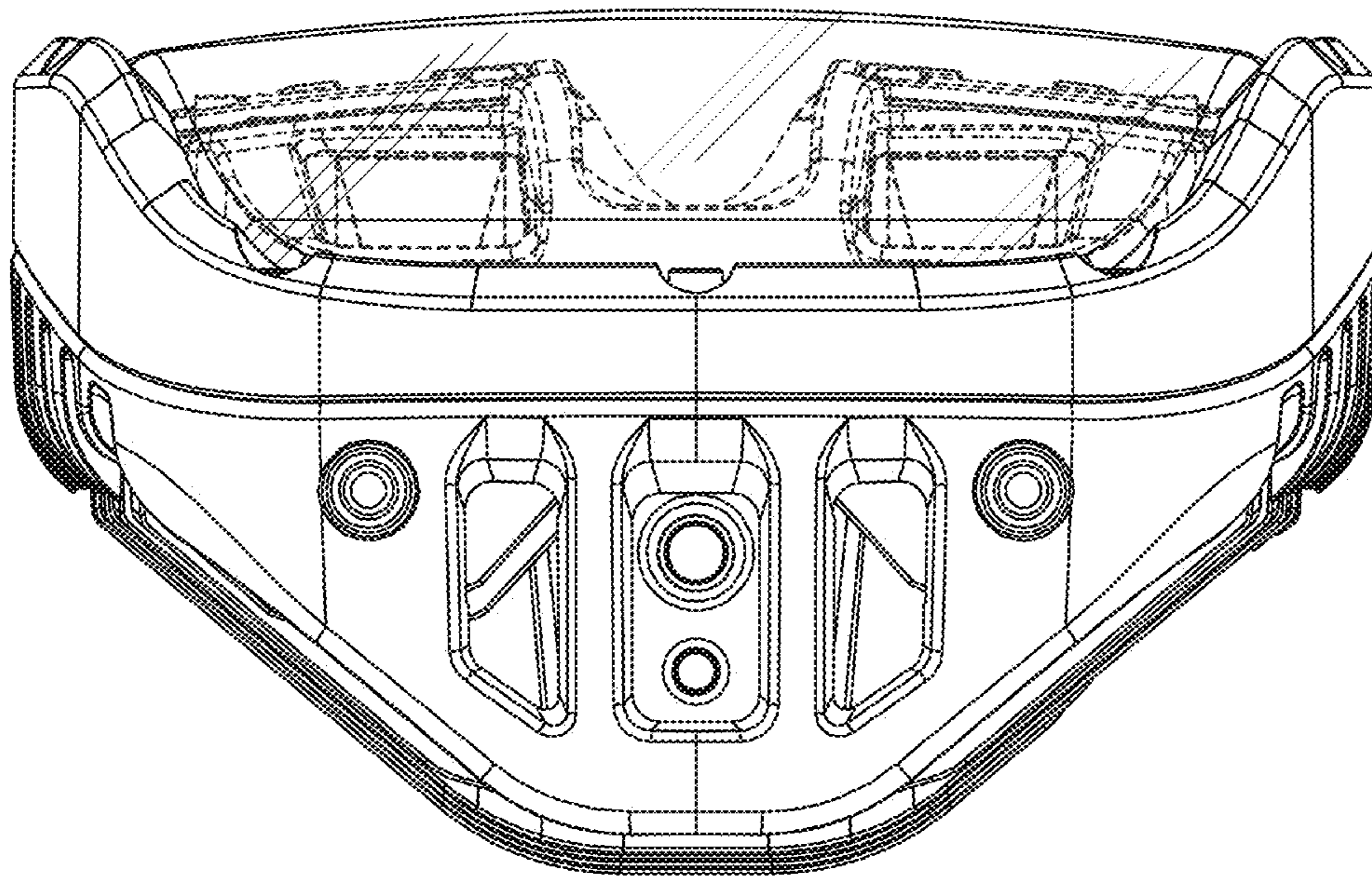


FIG. 12

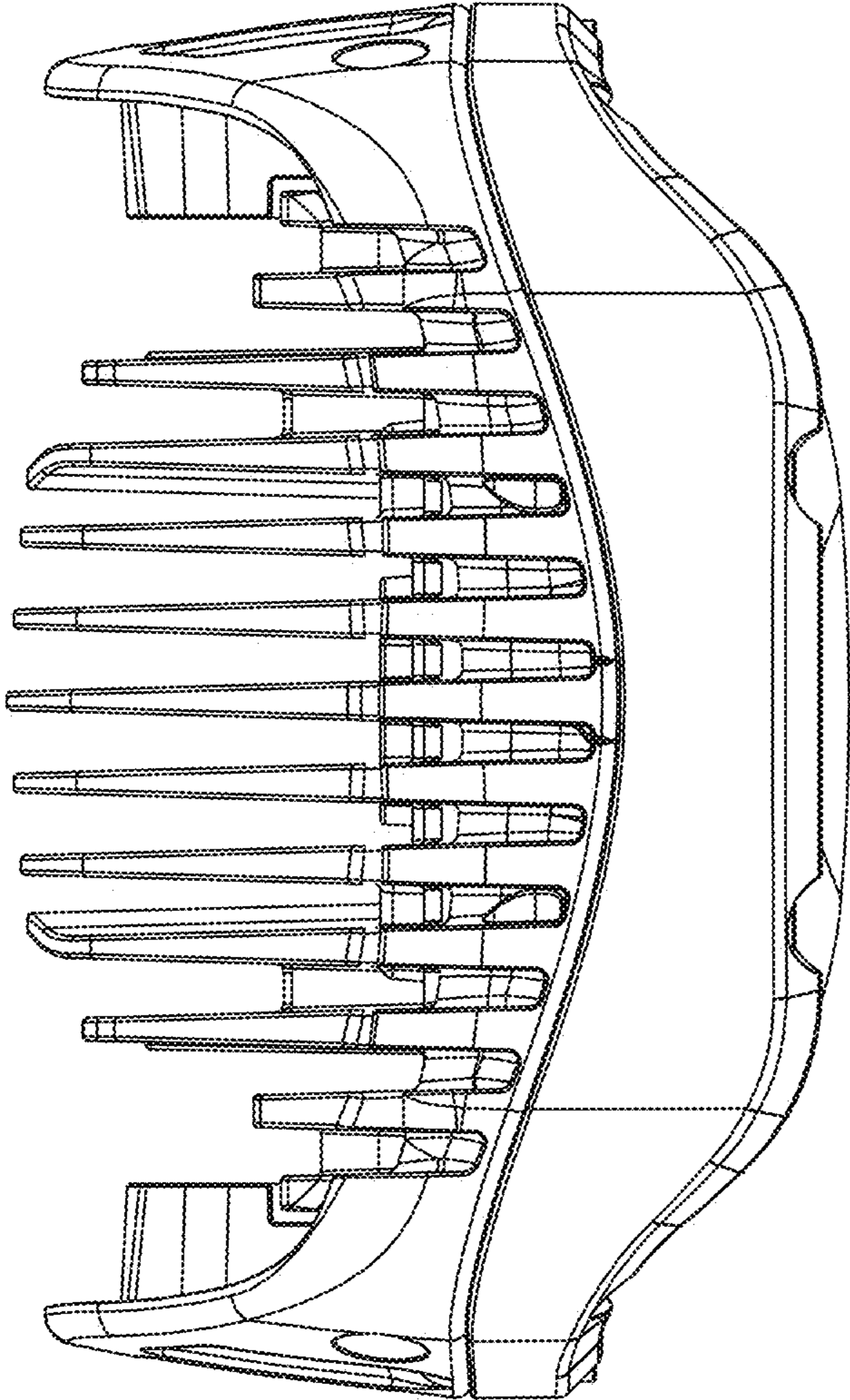


FIG. 13

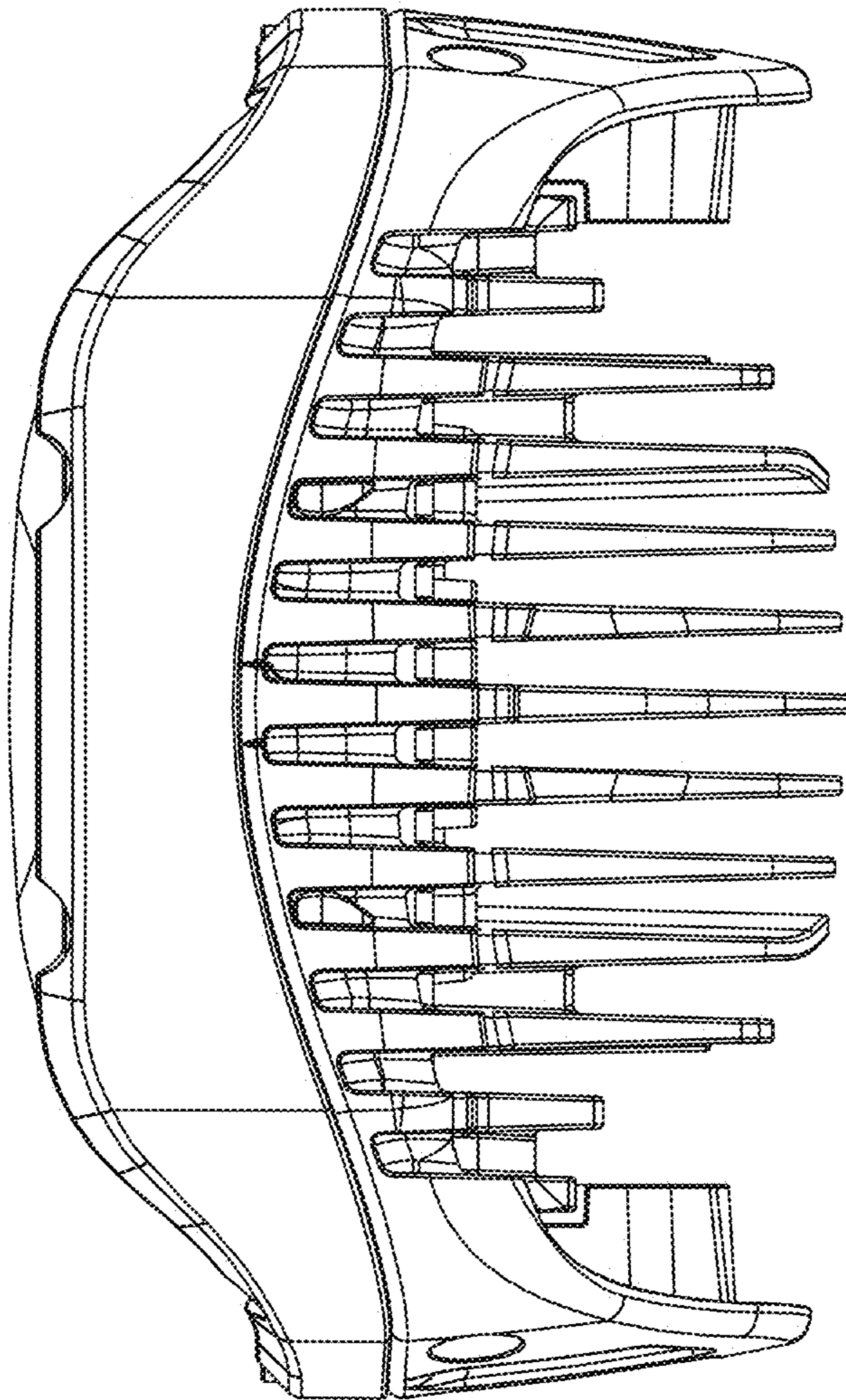


FIG. 14