



US00D952199S

(12) **United States Design Patent** (10) **Patent No.:** **US D952,199 S**
Xu (45) **Date of Patent:** **** May 17, 2022**

(54) **STRING LIGHT**
(71) Applicant: **Guanghua Xu**, Jingzhou (CN)
(72) Inventor: **Guanghua Xu**, Jingzhou (CN)
(**) Term: **15 Years**
(21) Appl. No.: **29/775,936**
(22) Filed: **Mar. 26, 2021**
(51) **LOC (13) Cl.** **26-04**
(52) **U.S. Cl.**
USPC **D26/25**
(58) **Field of Classification Search**
USPC D26/1, 2, 4, 21, 24, 25, 61, 53, 65, 72,
D26/80, 81, 83; D11/117, 121, 119, 11,
D11/125, 6, 118, 124
CPC F21S 4/00; F21S 4/15; F21S 2/00; F21S
4/10; F21S 10/00; F21S 4/20; F21S 4/28;
F21S 9/02; F21V 21/08; F21V 21/002;
F21V 23/001; F21V 31/005; F21V
33/0008; Y10S 362/806; F21W 2121/006;
F21W 2121/00; F21W 2121/004; F21W
2121/04; F21W 2121/06; F21Y 2115/10;
F21Y 2115/20; F21Y 2103/10; F21Y
2103/20; F21Y 2103/30; G09F 13/00;
G09F 13/22; G09F 9/33; H05B 47/23;
H05K 1/189; H05K 3/284; A47G 33/06;
A47G 33/08; H01R 13/7175; Y10T
29/49169
See application file for complete search history.

(56) **References Cited**
U.S. PATENT DOCUMENTS
D406,667 S * 3/1999 Byers D26/25
5,893,634 A * 4/1999 Wang F21S 4/15
362/249.01
D415,583 S * 10/1999 Byers D11/121
6,135,617 A * 10/2000 Lai F21V 17/007
362/249.09

D748,299 S * 1/2016 Tunno D26/25
D778,468 S 2/2017 van der Lande
D825,793 S 8/2018 Lentz et al.
D889,696 S 7/2020 Cao
D910,216 S * 2/2021 Liu D26/25
D914,253 S * 3/2021 Kuang D26/25
D925,077 S * 7/2021 Yang D26/25
D925,783 S * 7/2021 Xiao D26/25
D935,648 S * 11/2021 Shi D26/25
D935,681 S * 11/2021 Gong D26/81

(Continued)

Primary Examiner — Richard Kearney
Assistant Examiner — Benjamin M Weeks

(57) **CLAIM**

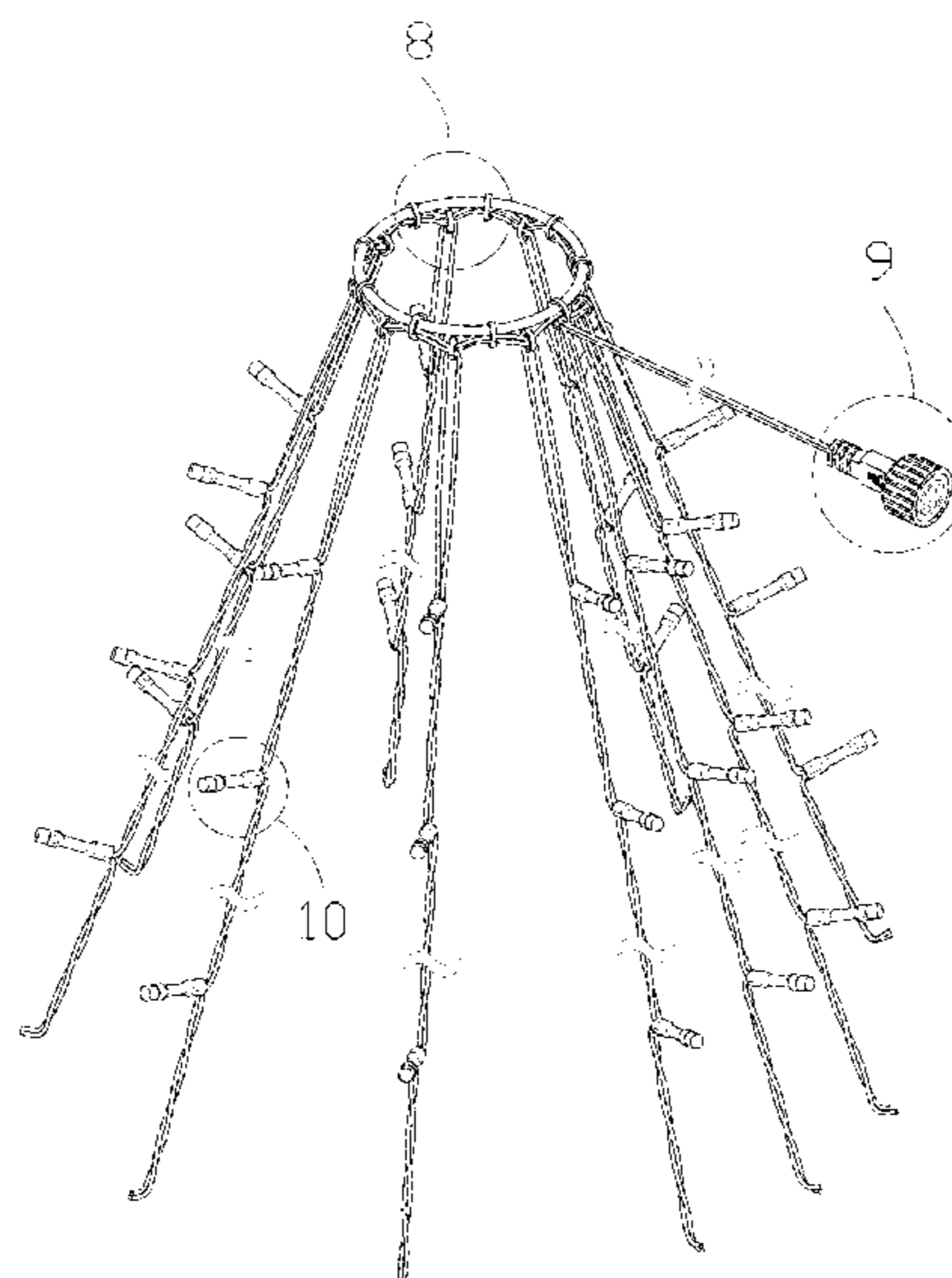
The ornamental design for a string light, as shown and described.

DESCRIPTION

FIG. 1 is a perspective view of a string light showing my new design;
FIG. 2 is a front view thereof;
FIG. 3 is a back view thereof;
FIG. 4 is a left side view thereof;
FIG. 5 is a right side view thereof;
FIG. 6 is a top view thereof;
FIG. 7 is a bottom view thereof;
FIG. 8 is an enlarged view of the area identified with 8 in FIG. 1;
FIG. 9 is an enlarged view of the area identified with 9 in FIG. 1; and,
FIG. 10 is an enlarged view of the area identified with 10 in FIG. 1.

The regularly spaced broken lines depict portions of the string light and form no part of the claimed design and the dot dash broken lines depict areas of enlargement and form no part of the claimed design. The string light is shown with symbolic break lines in its length. The appearance of any portion of the article between the break lines forms no part of the claimed design.

1 Claim, 10 Drawing Sheets



(56)

References Cited

U.S. PATENT DOCUMENTS

2010/0195332 A1* 8/2010 Wasem F21V 25/10
362/249.16
2012/0212961 A1* 8/2012 Liu F21V 21/0824
362/249.06

* cited by examiner

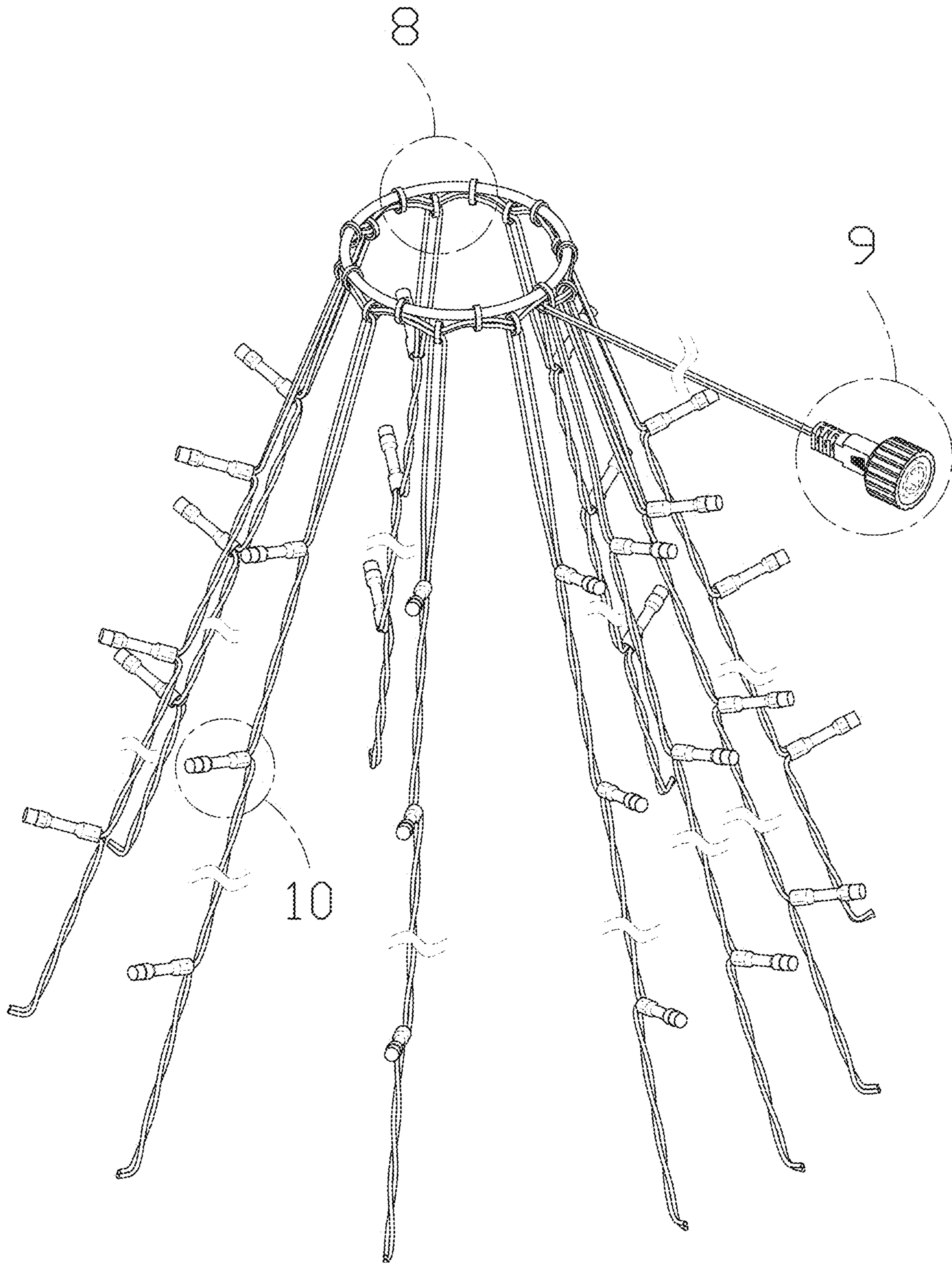


FIG. 1

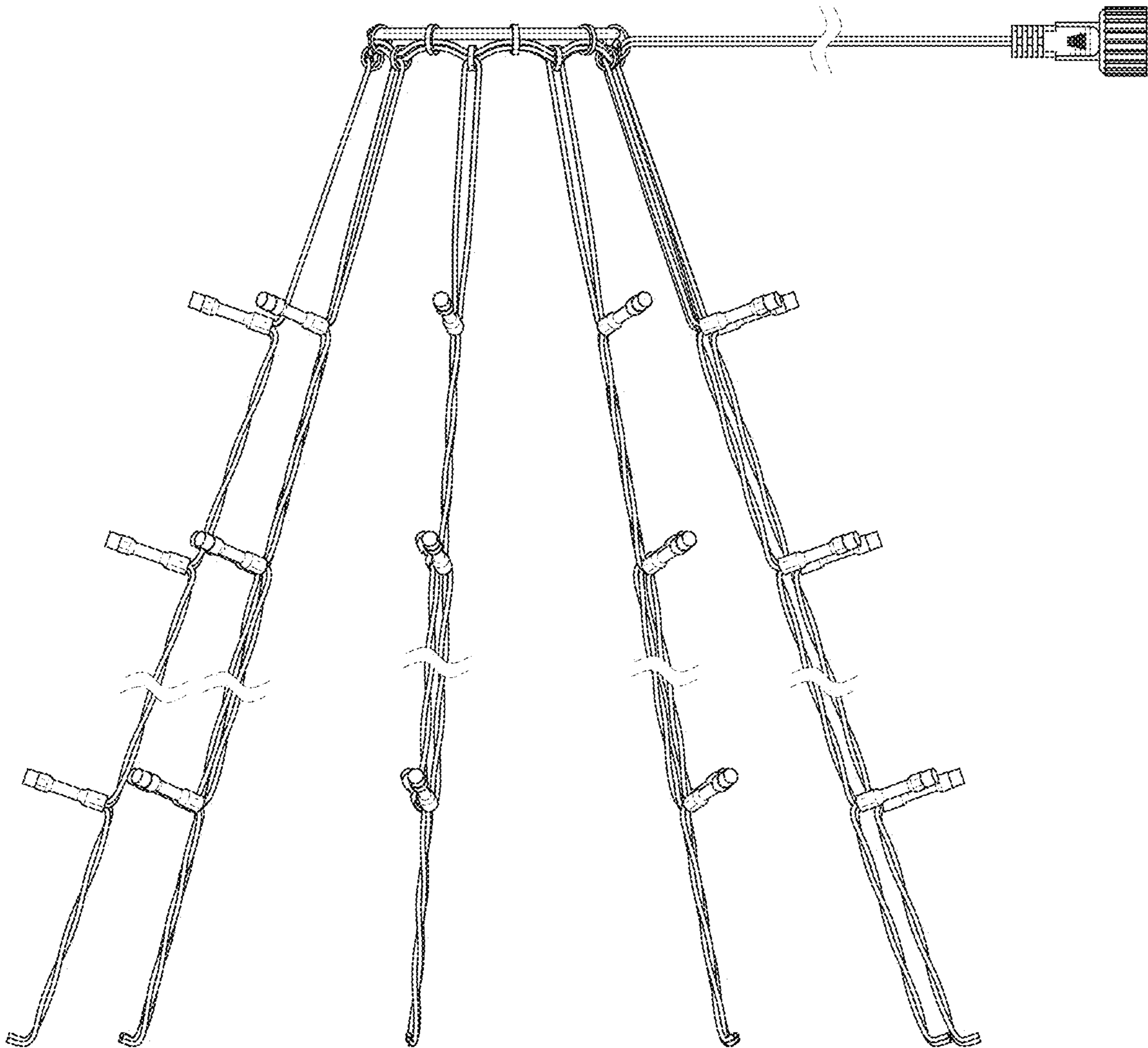


FIG. 2

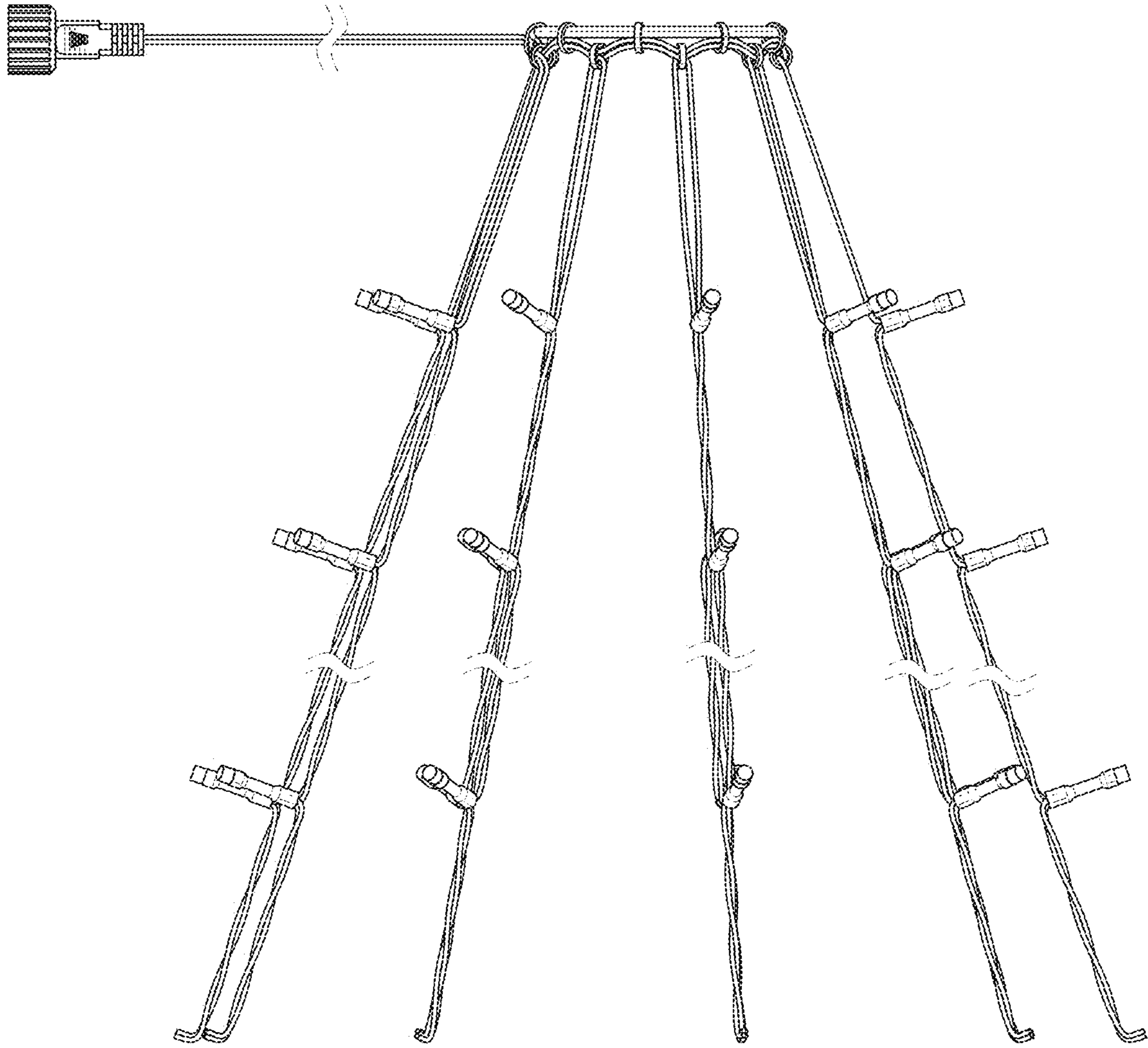


FIG. 3

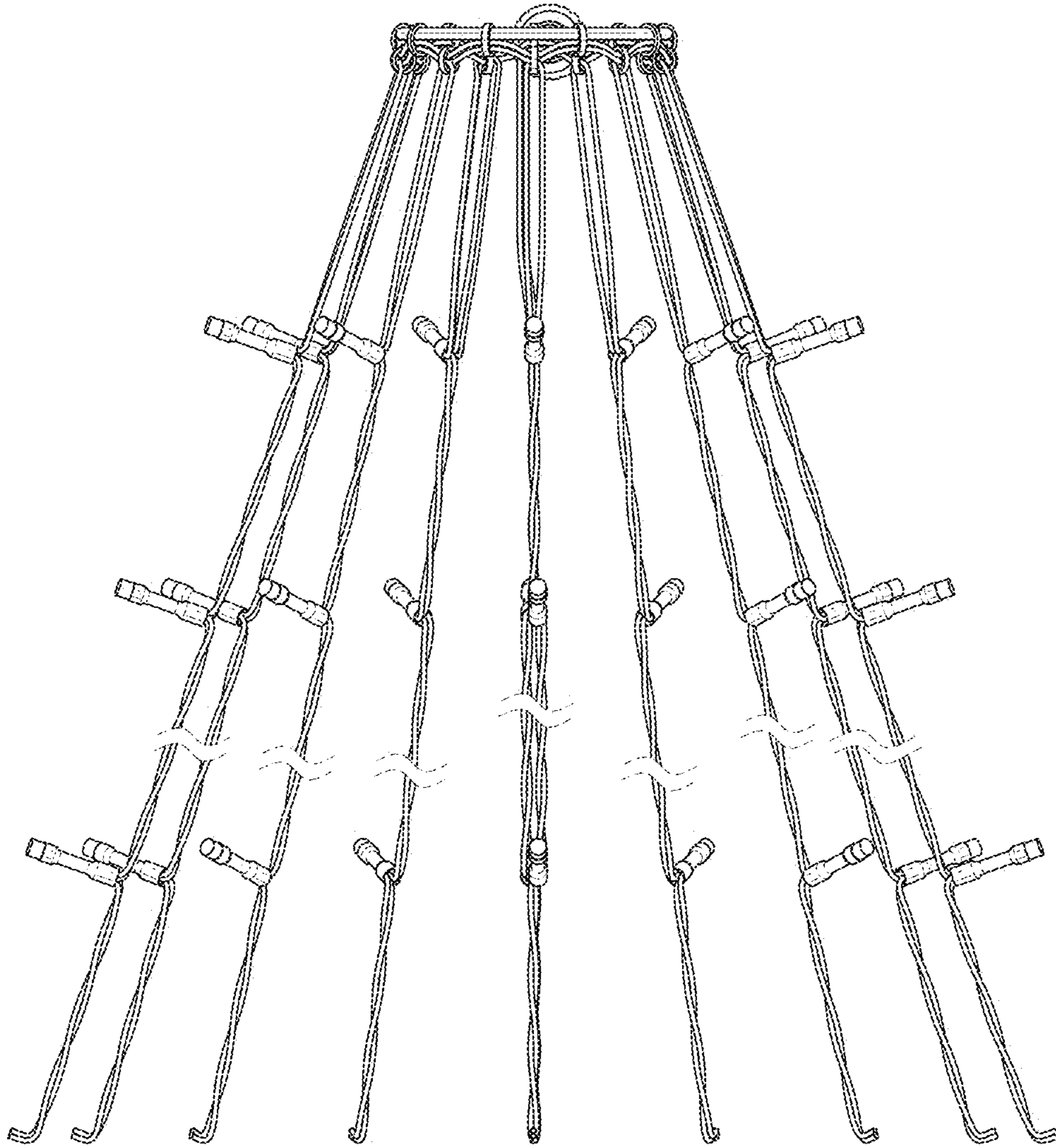


FIG. 4

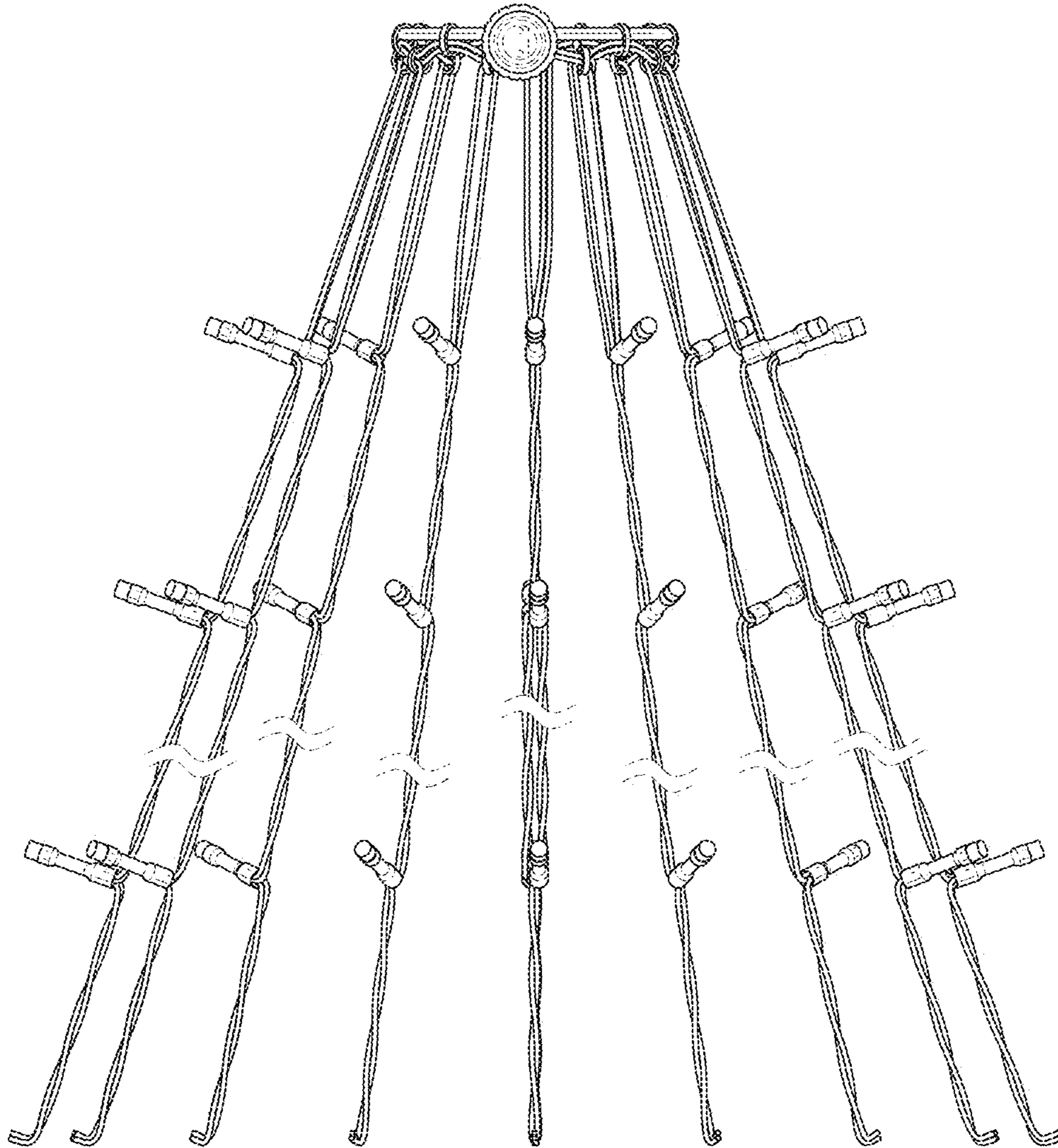


FIG. 5

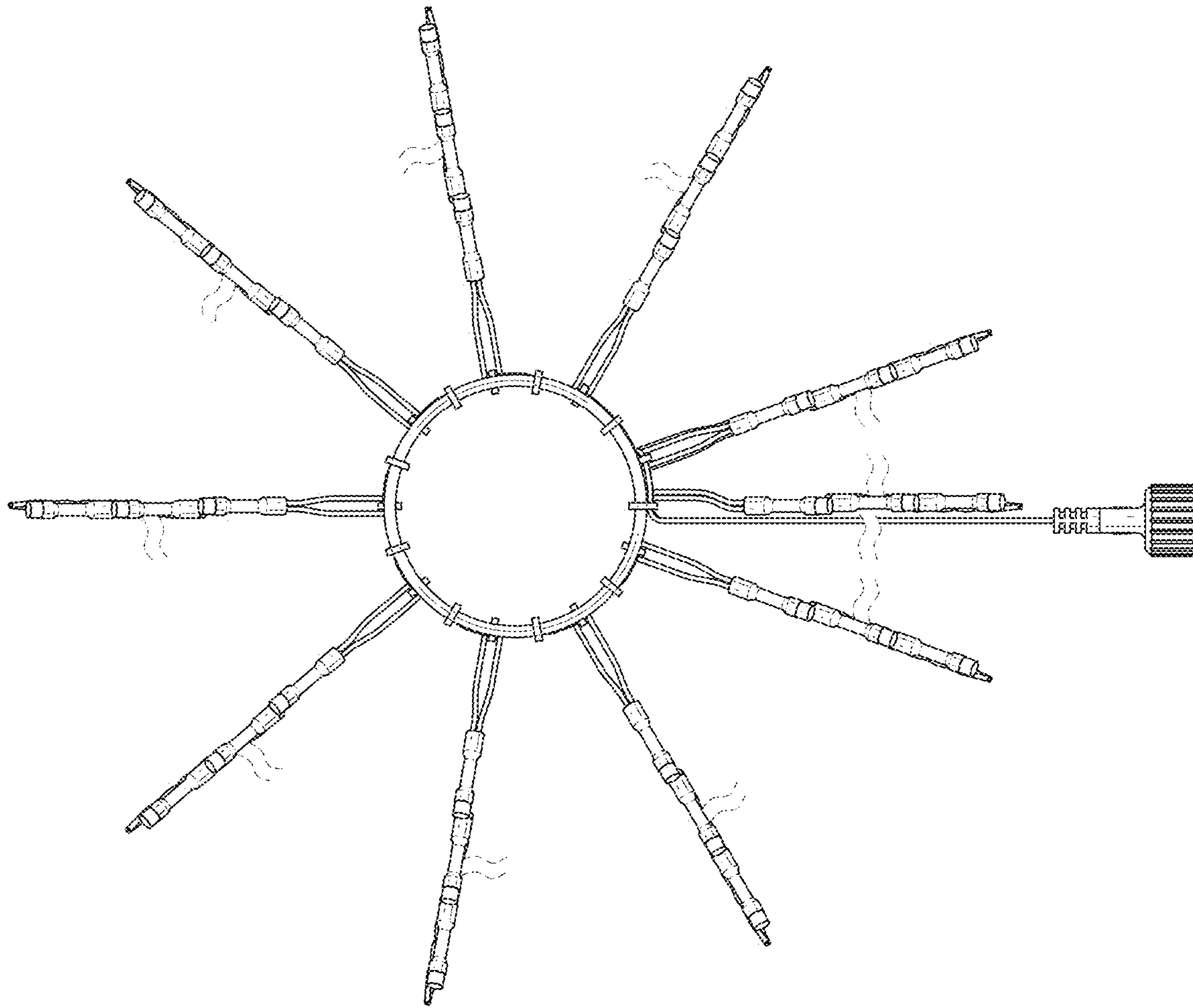


FIG. 6

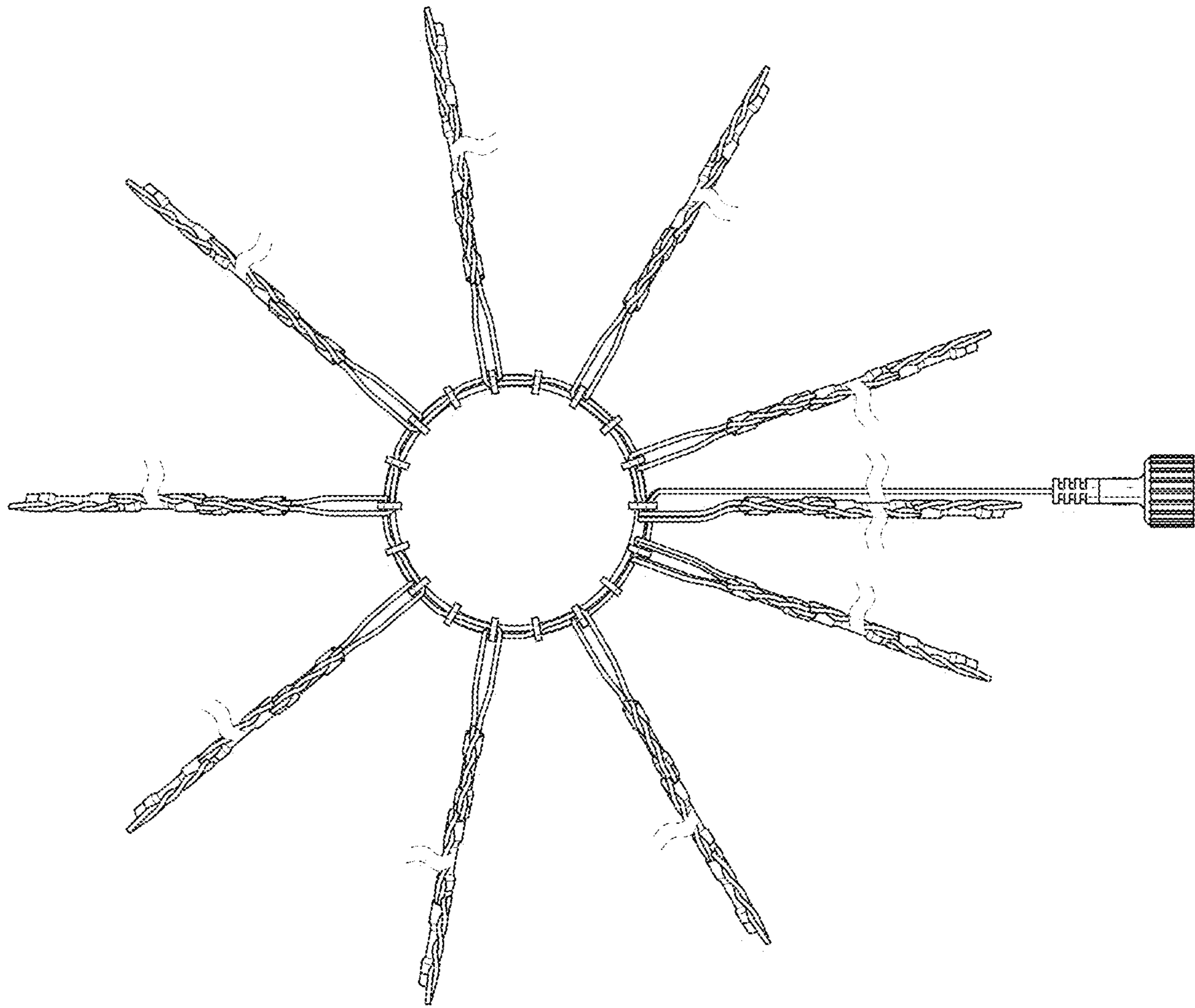


FIG. 7

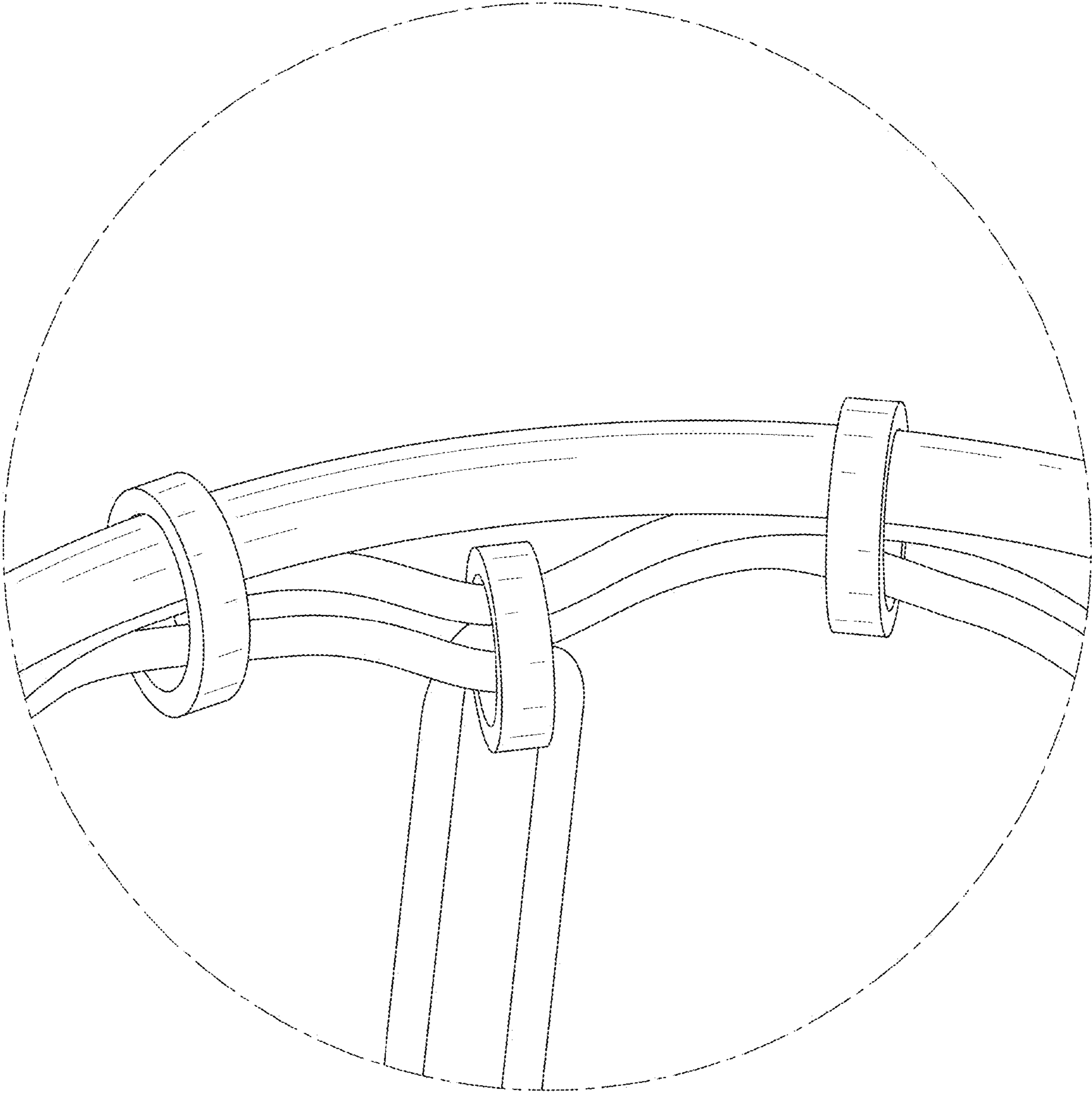


FIG. 8

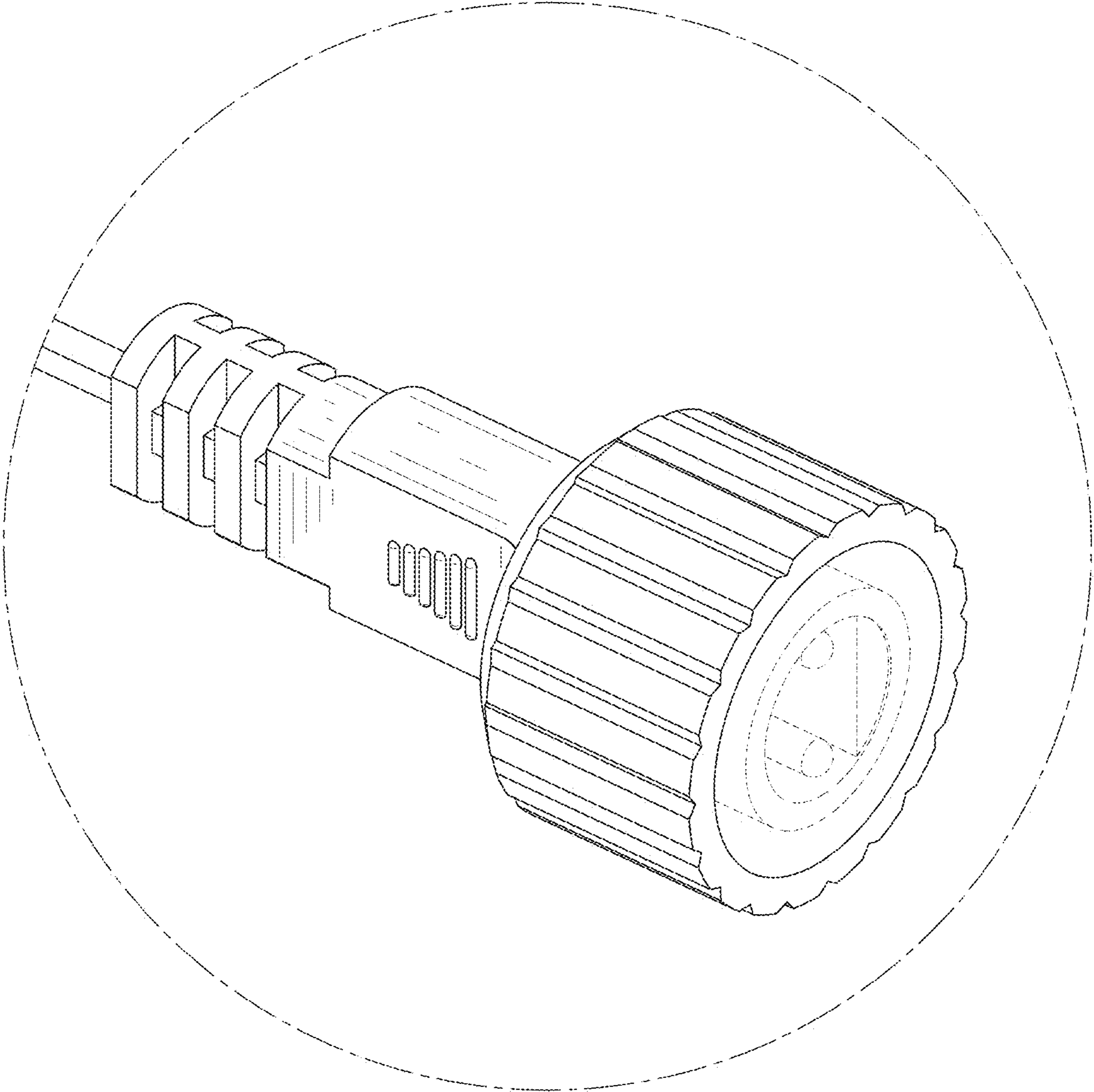


FIG. 9

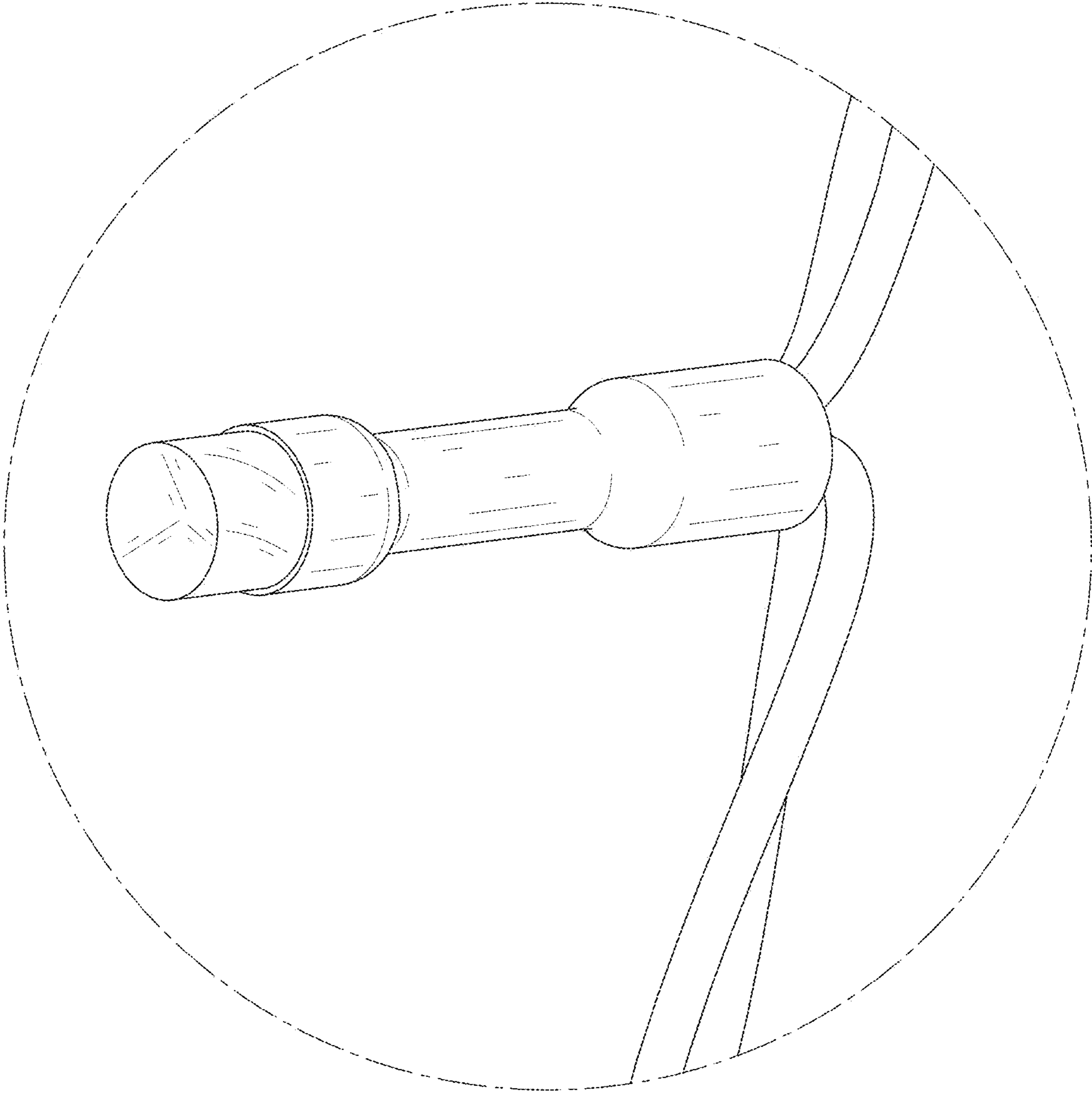


FIG. 10