



US00D952198S

(12) **United States Design Patent** (10) **Patent No.:** **US D952,198 S**
Qu (45) **Date of Patent:** **** May 17, 2022**

(54) **STRING LAMP**

(71) Applicant: **LINHAI HENGGUANG LIGHTING CO., LTD.**, Linhai (CN)

(72) Inventor: **Jiguang Qu**, Linhai (CN)

(73) Assignee: **LINHAI HENGGUANG LIGHTING CO., LTD.**, Linhai (CN)

(**) Term: **15 Years**

(21) Appl. No.: **29/773,282**

(22) Filed: **Mar. 9, 2021**

(30) **Foreign Application Priority Data**

Mar. 5, 2021 (EM) 008451439

(51) **LOC (13) Cl.** **26-04**

(52) **U.S. Cl.**
USPC **D26/25**

(58) **Field of Classification Search**

USPC D26/1, 2, 4, 21, 24, 25, 26, 61, 53, 65, D26/72, 80, 81, 83; D11/117, 121, 119, D11/11, 125, 6, 118, 124
CPC F21S 4/00; F21S 4/15; F21S 2/00; F21S 4/10; F21S 10/00; F21S 4/20; F21S 4/28; F21S 9/02; F21V 21/08; F21V 21/002; F21V 23/001; F21V 31/005; F21V 33/0008; Y10S 362/806; F21W 2121/006; F21W 2121/00; F21W 2121/004; F21W 2121/04; F21W 2121/06; F21Y 2115/10; F21Y 2115/20; F21Y 2103/10; F21Y 2103/20; F21Y 2103/30; G09F 13/00; G09F 13/22; G09F 9/33; H05B 47/23; H05K 1/189; H05K 3/284; A47G 33/06; A47G 33/08; H01R 13/7175; Y10T 29/49169

See application file for complete search history.

(56) **References Cited**

U.S. PATENT DOCUMENTS

D482,806 S * 11/2003 Lofton D26/25
D874,692 S * 2/2020 Dai D26/25
D880,022 S 3/2020 Gong
D889,696 S 7/2020 Cao
D900,356 S * 10/2020 Zhu D26/25

(Continued)

OTHER PUBLICATIONS

LED Fairy String Lights 16.5 by ANJAYLIA, Amazon. com, Oct. 2, 2020, <https://www.amazon.com/ANJAYLIA-Battery-Operated-Festival-Decorations/dp/B01EWNBJD2/?th=1> (Year: 2020).*

(Continued)

Primary Examiner — Richard Kearney
Assistant Examiner — Benjamin M Weeks

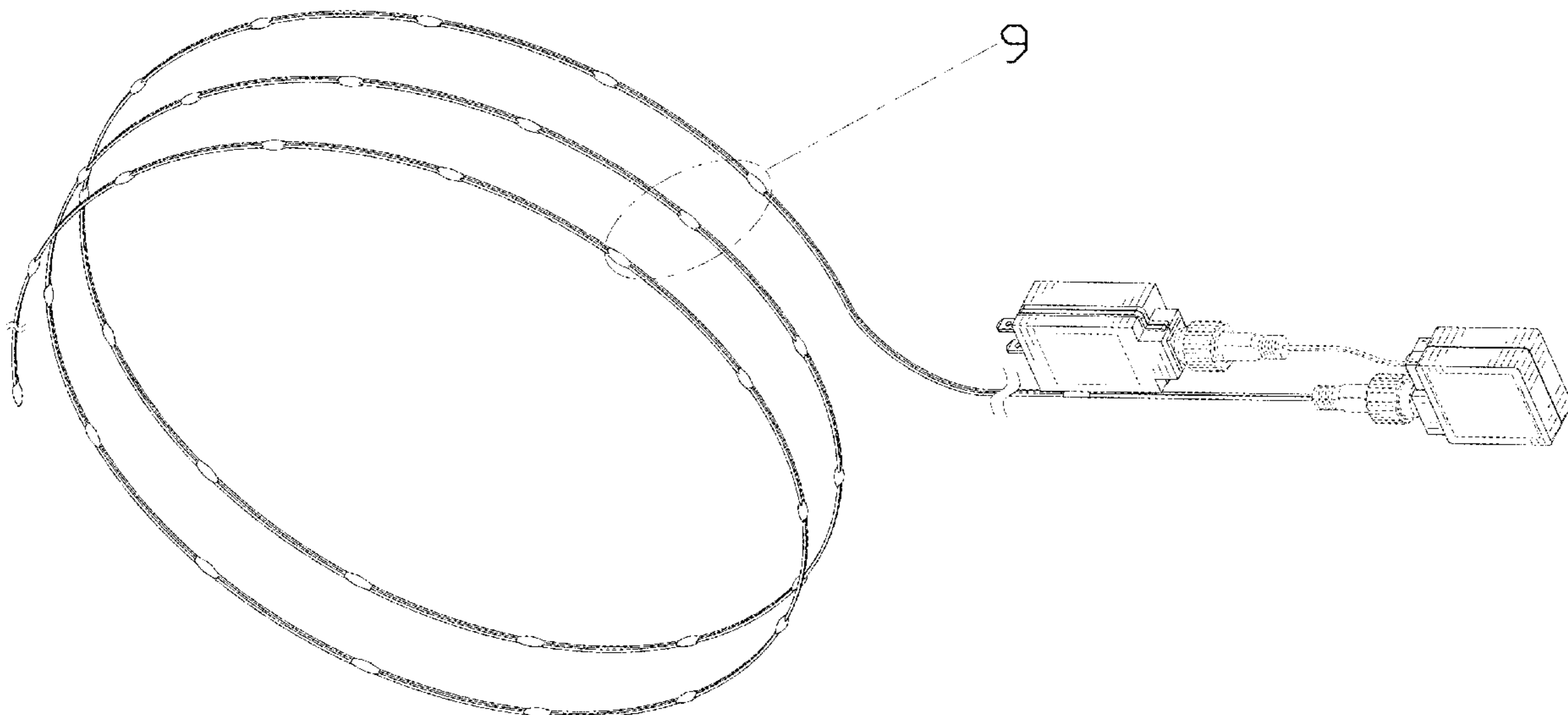
(57) **CLAIM**

The ornamental design for a string lamp, as shown and described.

DESCRIPTION

FIG. 1 is a perspective view of a string lamp showing my new design;
FIG. 2 is another perspective view thereof;
FIG. 3 is a front elevational view thereof;
FIG. 4 is a rear elevational view thereof;
FIG. 5 is a left side elevational view thereof;
FIG. 6 is a right side elevational view thereof;
FIG. 7 is a top plan view thereof;
FIG. 8 is a bottom plan view thereof; and,
FIG. 9 is an enlarged view of portion 9 shown in FIG. 1.
The string lamp is shown with a symbolic break in its length and the appearance of any portion of the string lamp between the break lines form no part of the claimed design. The regularly spaced broken lines depict portions of the string lamp that form no part of the claimed design and the dot dash broken lines depict the area of enlargement shown in FIG. 9.

1 Claim, 9 Drawing Sheets



(56)

References Cited

U.S. PATENT DOCUMENTS

D908,255 S * 1/2021 Zhou D26/25
D908,256 S * 1/2021 Zhou D26/25
D908,933 S * 1/2021 Wu D26/25
D910,890 S * 2/2021 Yang D26/25
D914,927 S * 3/2021 Liu D26/25
D917,741 S * 4/2021 Kuang G09F 13/00
D932,669 S * 10/2021 Zhao H01B 1/026
2016/0341408 A1 * 11/2016 Altamura F21S 4/10
2018/0187840 A1 * 7/2018 Chen H01B 1/026
2019/0186716 A1 * 6/2019 Meyer G09F 13/00

OTHER PUBLICATIONS

LED Fairy String Lights 16.5 by ANJAYLIA Review, Amazon.com, Oct. 2, 2020, <https://www.amazon.com/ANJAYLIA-Battery-Operated-Festival-Decorations/dp/B01EWNBJD2/?th=1> (Year: 2020).*

* cited by examiner

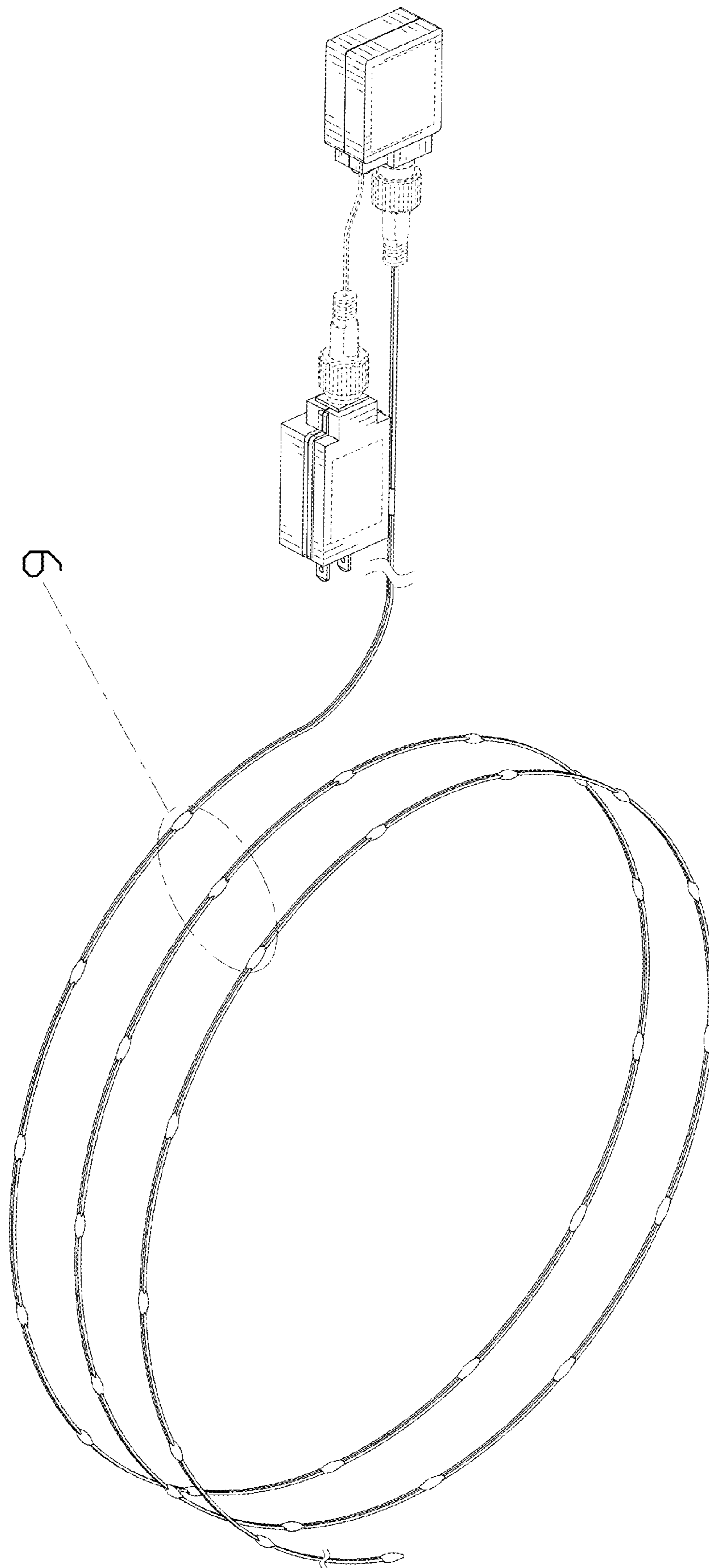


FIG. 1

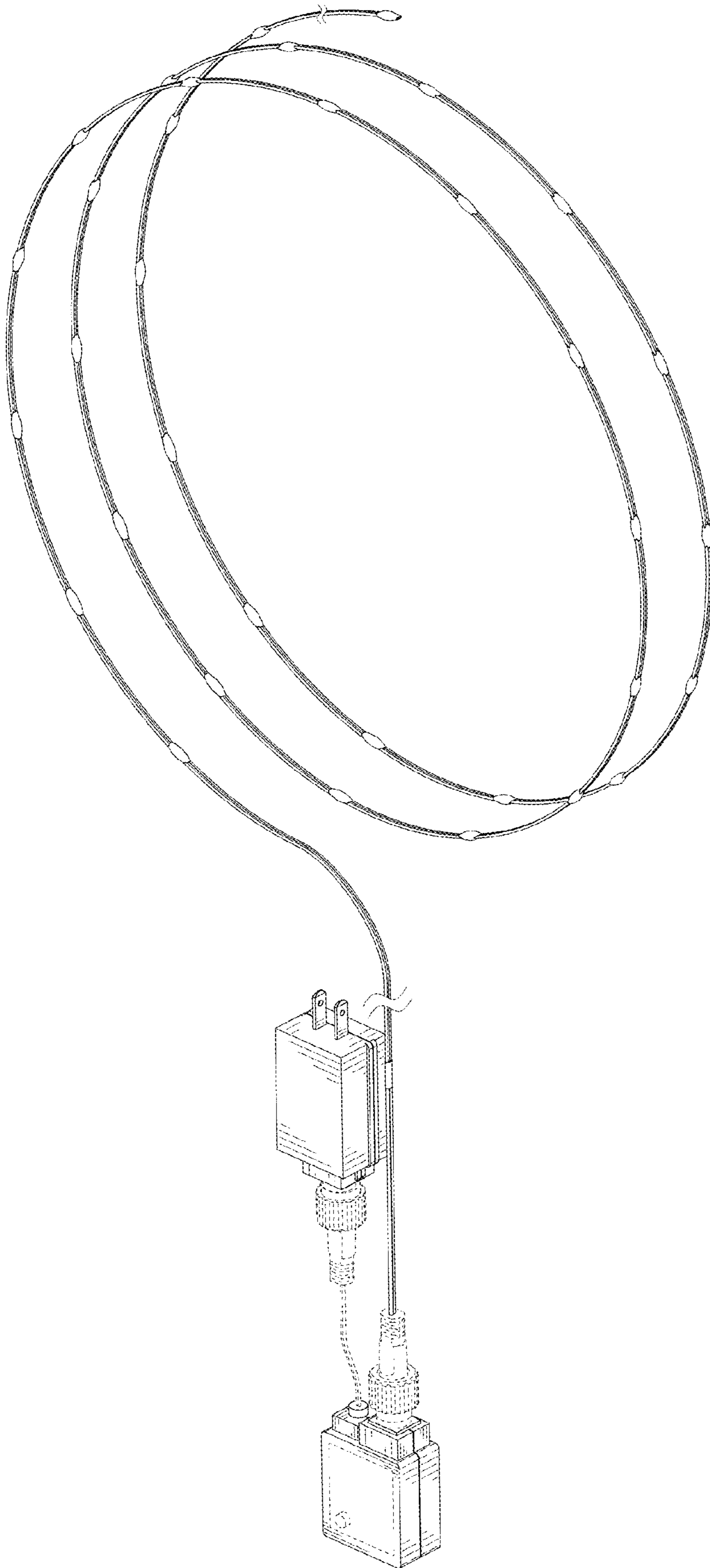


FIG. 2

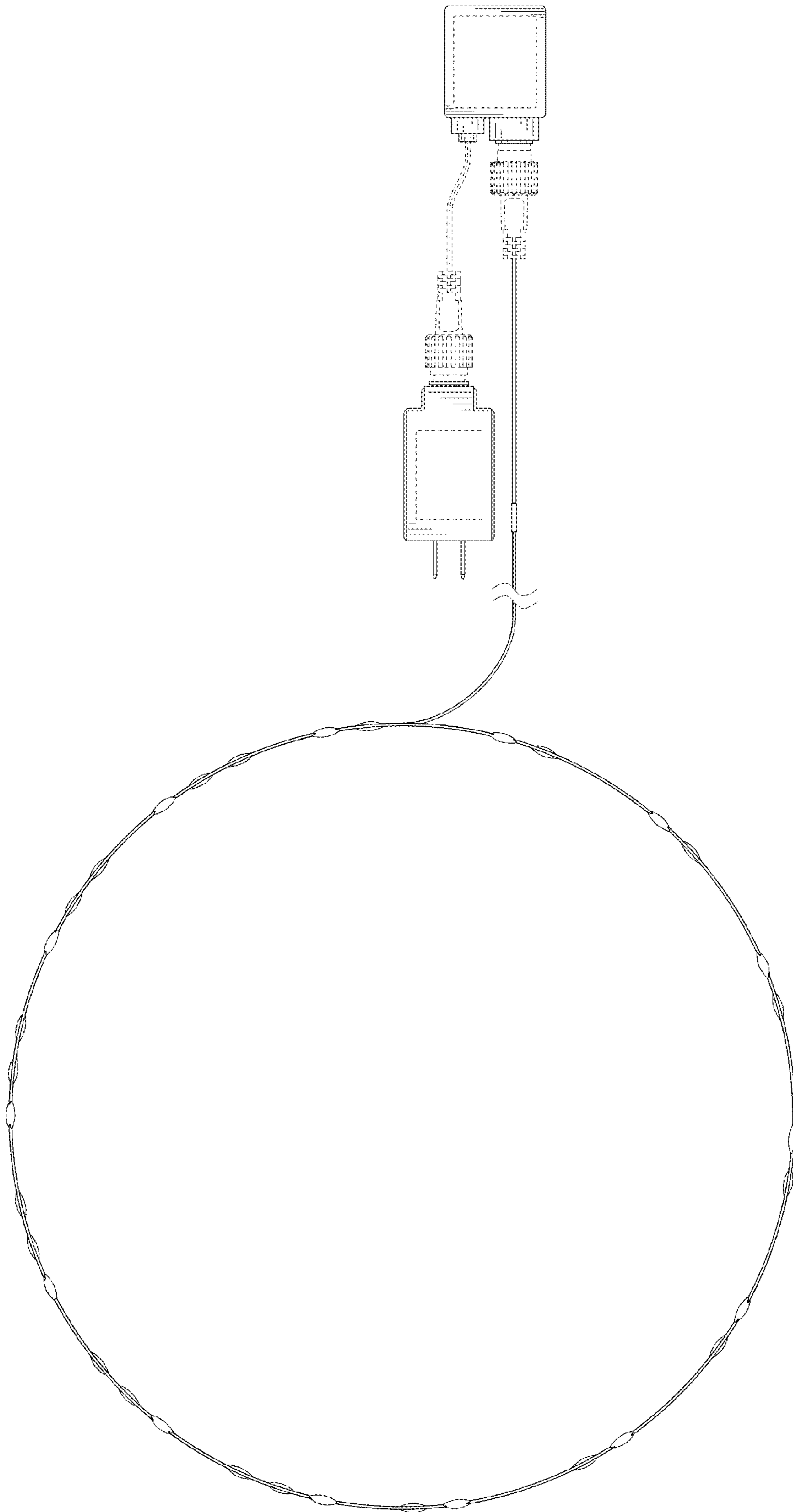


FIG. 3

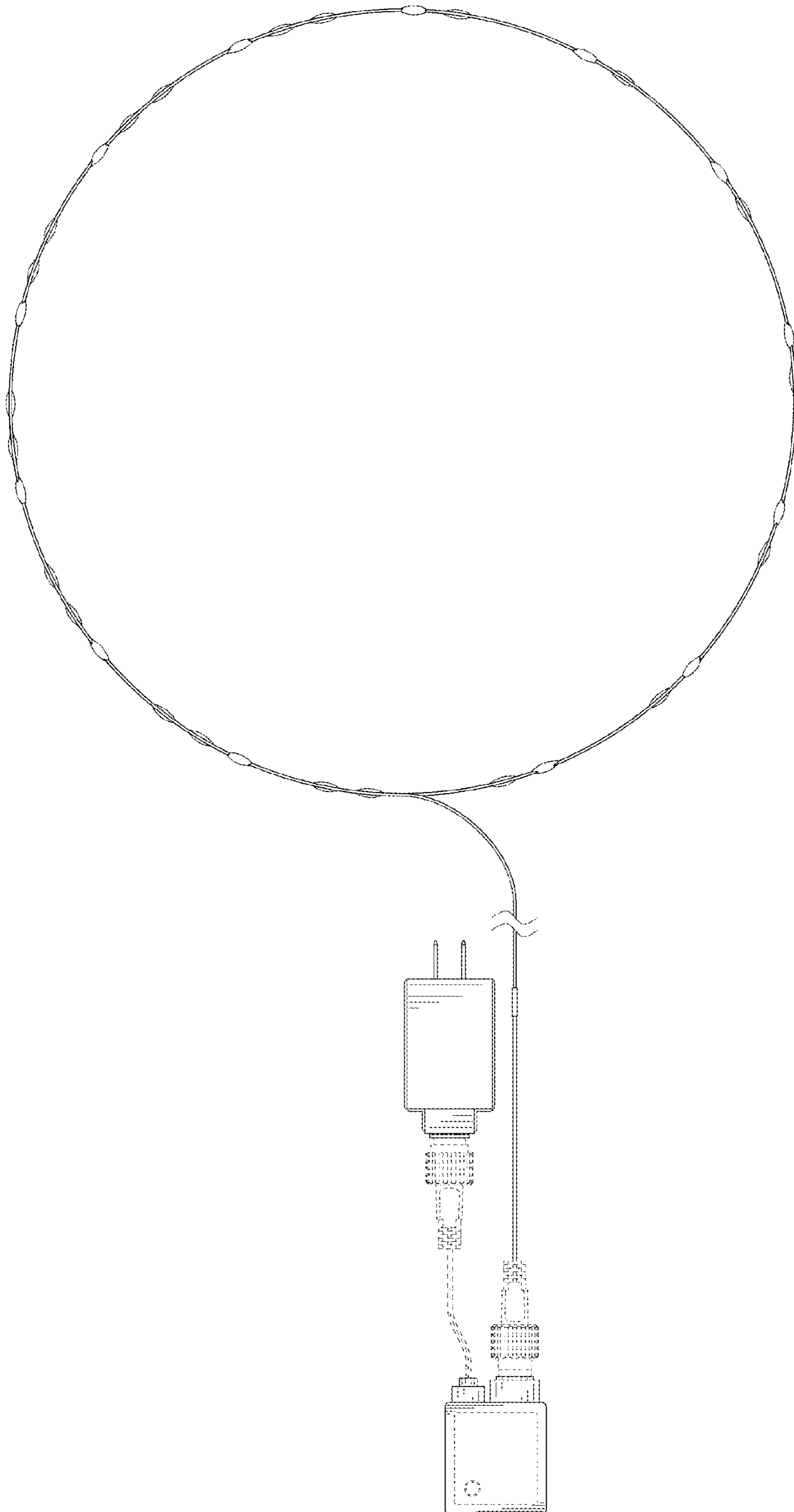


FIG. 4

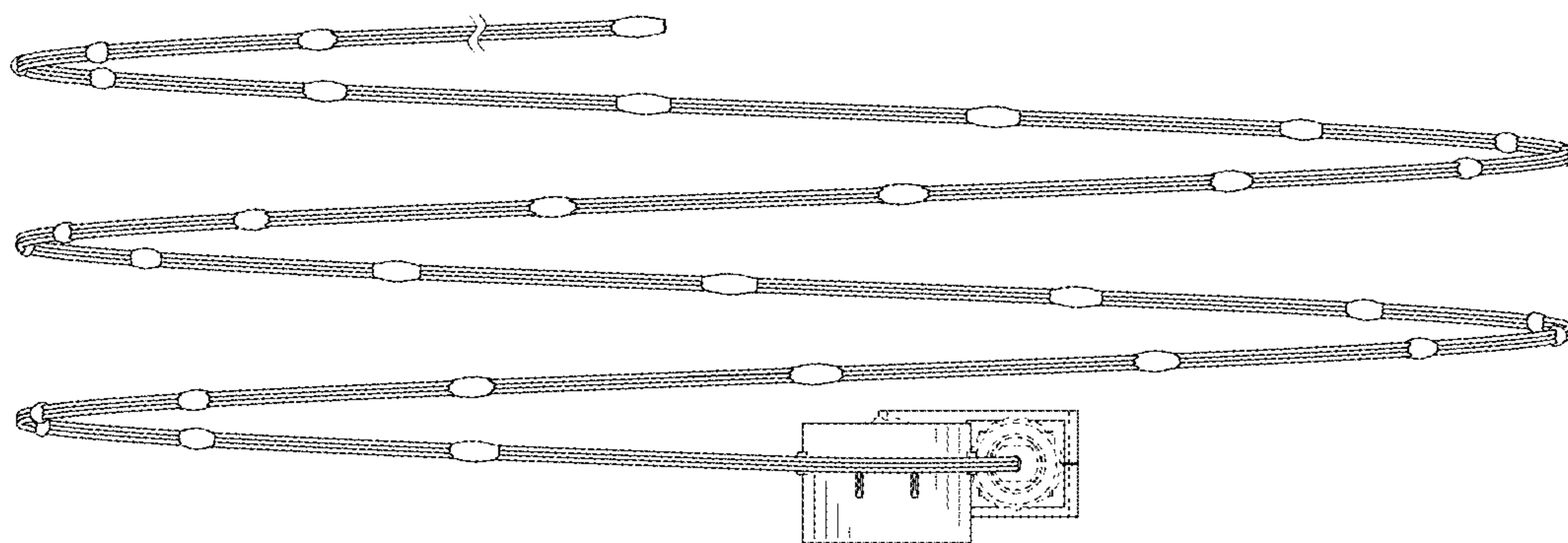


FIG. 5

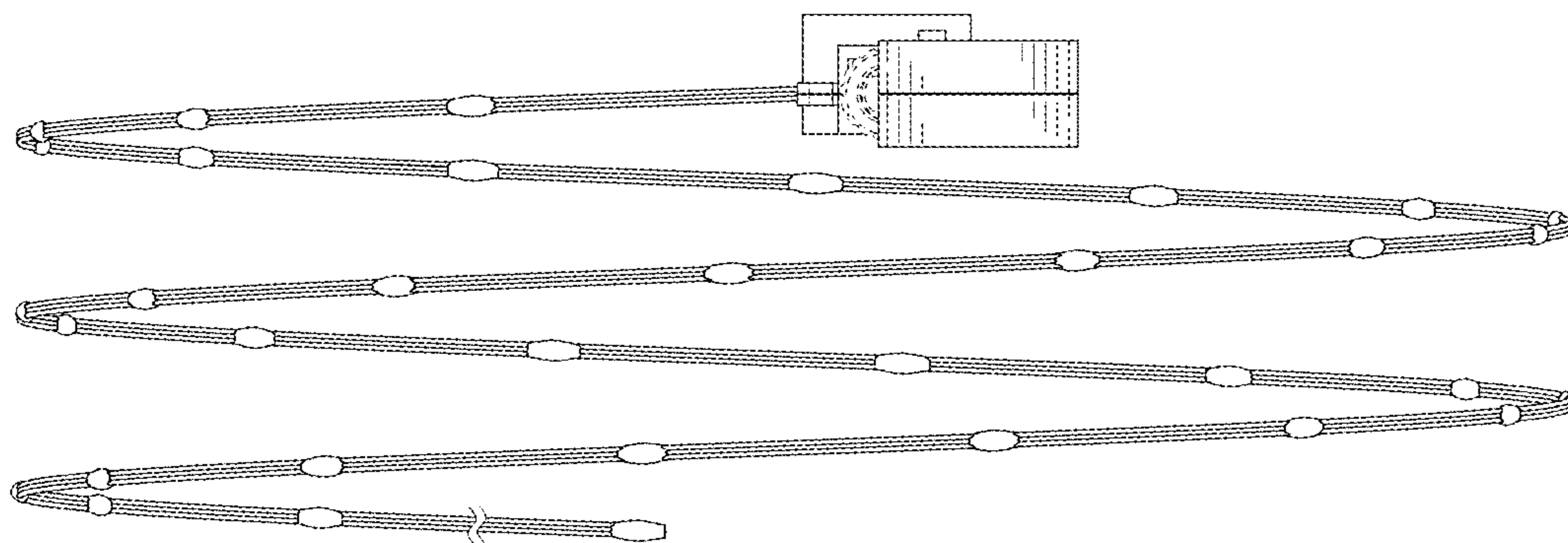


FIG. 6

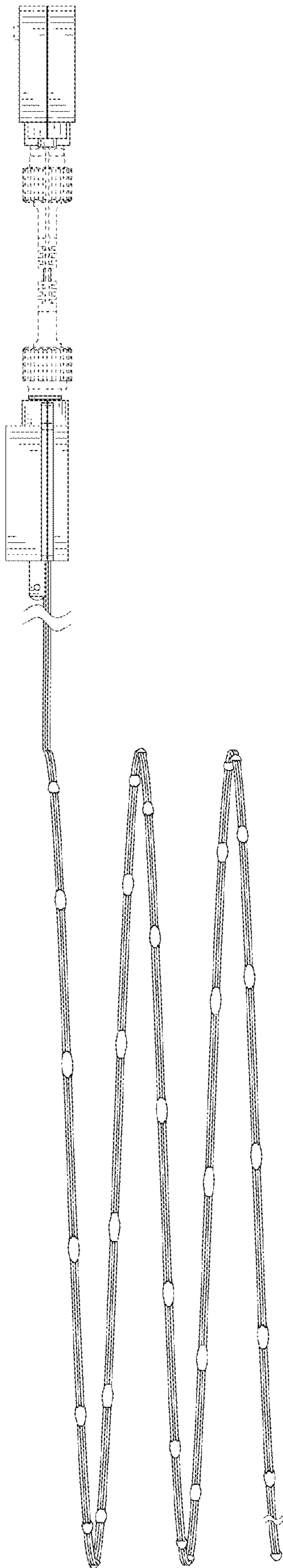


FIG. 7

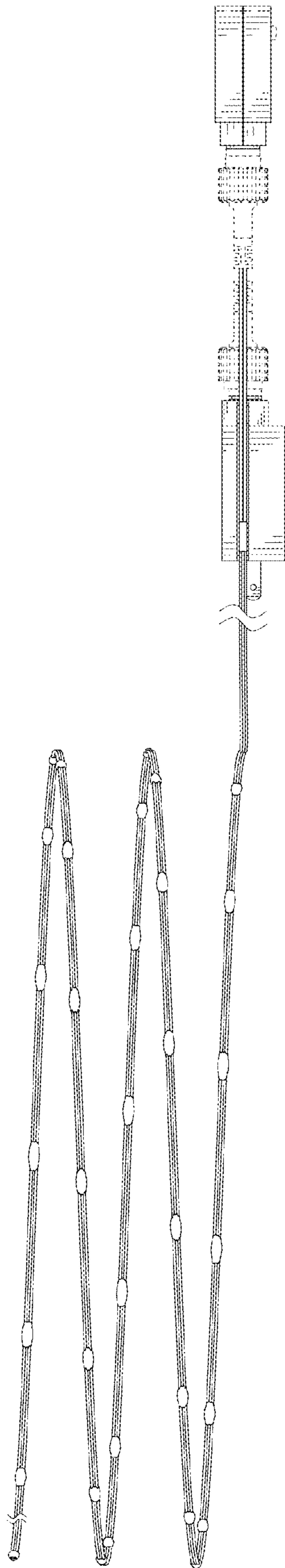


FIG. 8

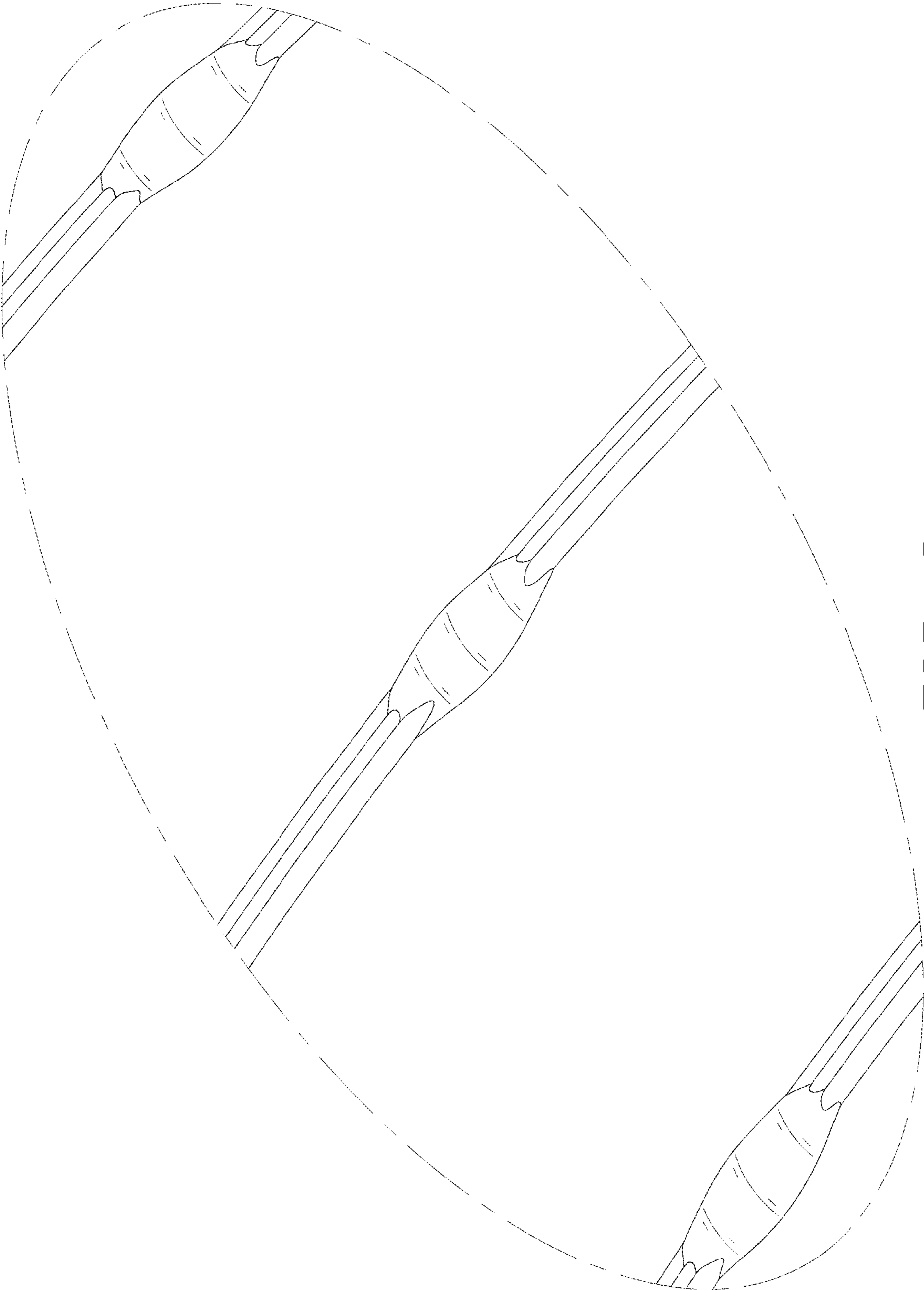


FIG. 9