



US00D952195S

(12) **United States Design Patent**
Han

(10) **Patent No.:** **US D952,195 S**

(45) **Date of Patent:** **** May 17, 2022**

(54) **LED LAMP**

D426,899 S * 6/2000 Au Yeng D26/2
D543,644 S * 5/2007 Bembridge D26/2

(71) Applicant: **Jingpei Han**, Jiangmen (CN)

* cited by examiner

(72) Inventor: **Jingpei Han**, Jiangmen (CN)

Primary Examiner — Marcus A Jackson

(**) Term: **15 Years**

(21) Appl. No.: **29/751,480**

(57) **CLAIM**

(22) Filed: **Sep. 22, 2020**

The ornamental design for an LED lamp, as shown and described.

(51) **LOC (13) Cl.** **26-04**

(52) **U.S. Cl.**
USPC **D26/2**

(58) **Field of Classification Search**
USPC D26/1-4
CPC H01R 5/00; H01R 13/46; H01R 13/514;
H01R 31/02; H01R 31/048; H01J 5/00;
H01J 5/16; H01J 1/02; H01J 15/00; H01J
5/48; H01J 5/50; H01J 19/54; F21V 5/00;
F21K 9/00; F21K 13/00
See application file for complete search history.

DESCRIPTION

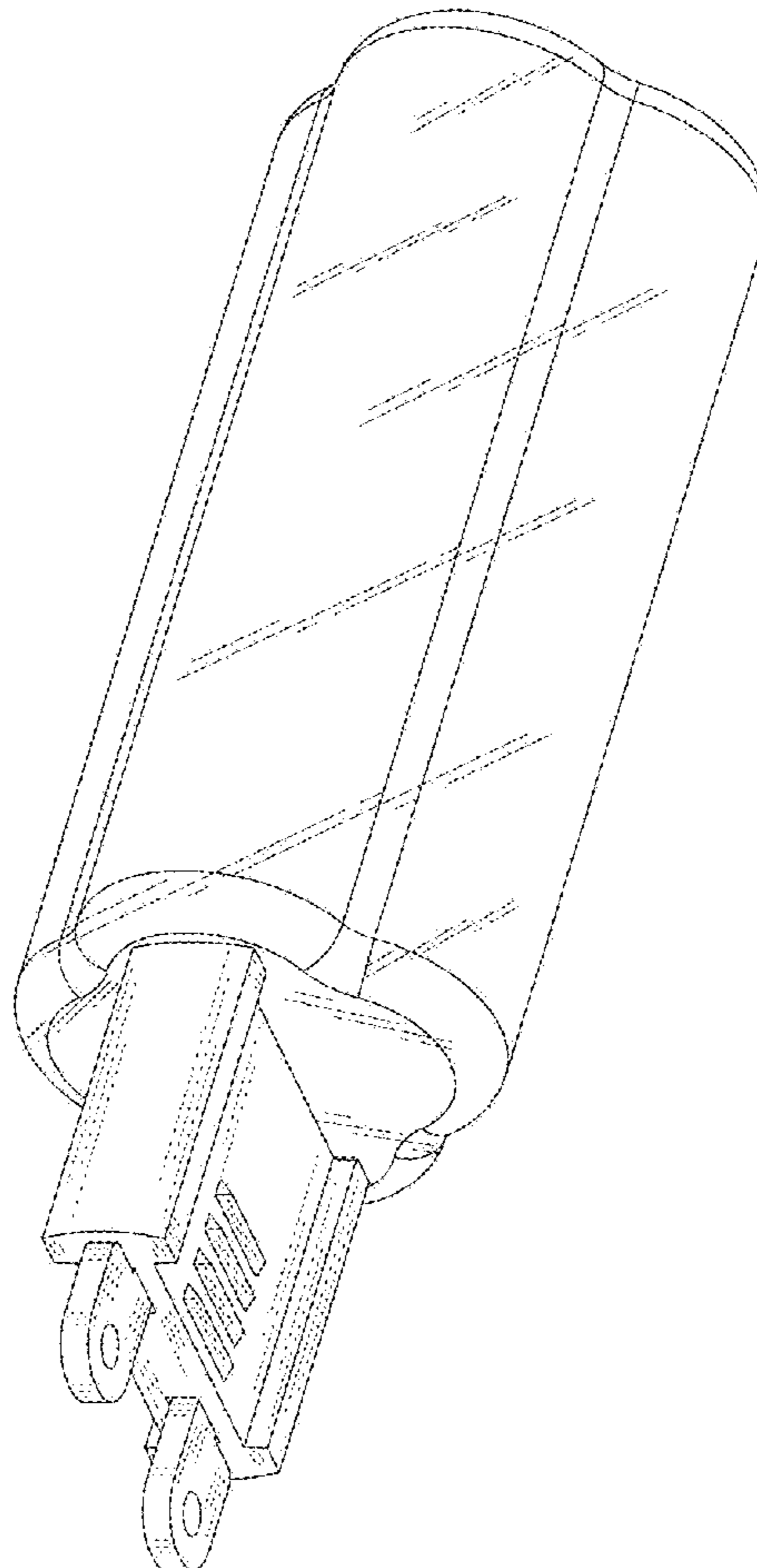
FIG. 1 is a perspective view of an LED lamp showing my new design;
FIG. 2 is a front elevation view thereof;
FIG. 3 is a rear elevation view thereof;
FIG. 4 is a left side elevation view thereof;
FIG. 5 is a right side elevation view thereof;
FIG. 6 is a top plan view thereof; and,
FIG. 7 is a bottom plan view thereof.
The broken lines depict portions of the LED lamp that form no part of the claimed design.

(56) **References Cited**

U.S. PATENT DOCUMENTS

D392,057 S * 3/1998 Chen D26/2
D405,201 S * 2/1999 Lodhie D26/2

1 Claim, 7 Drawing Sheets



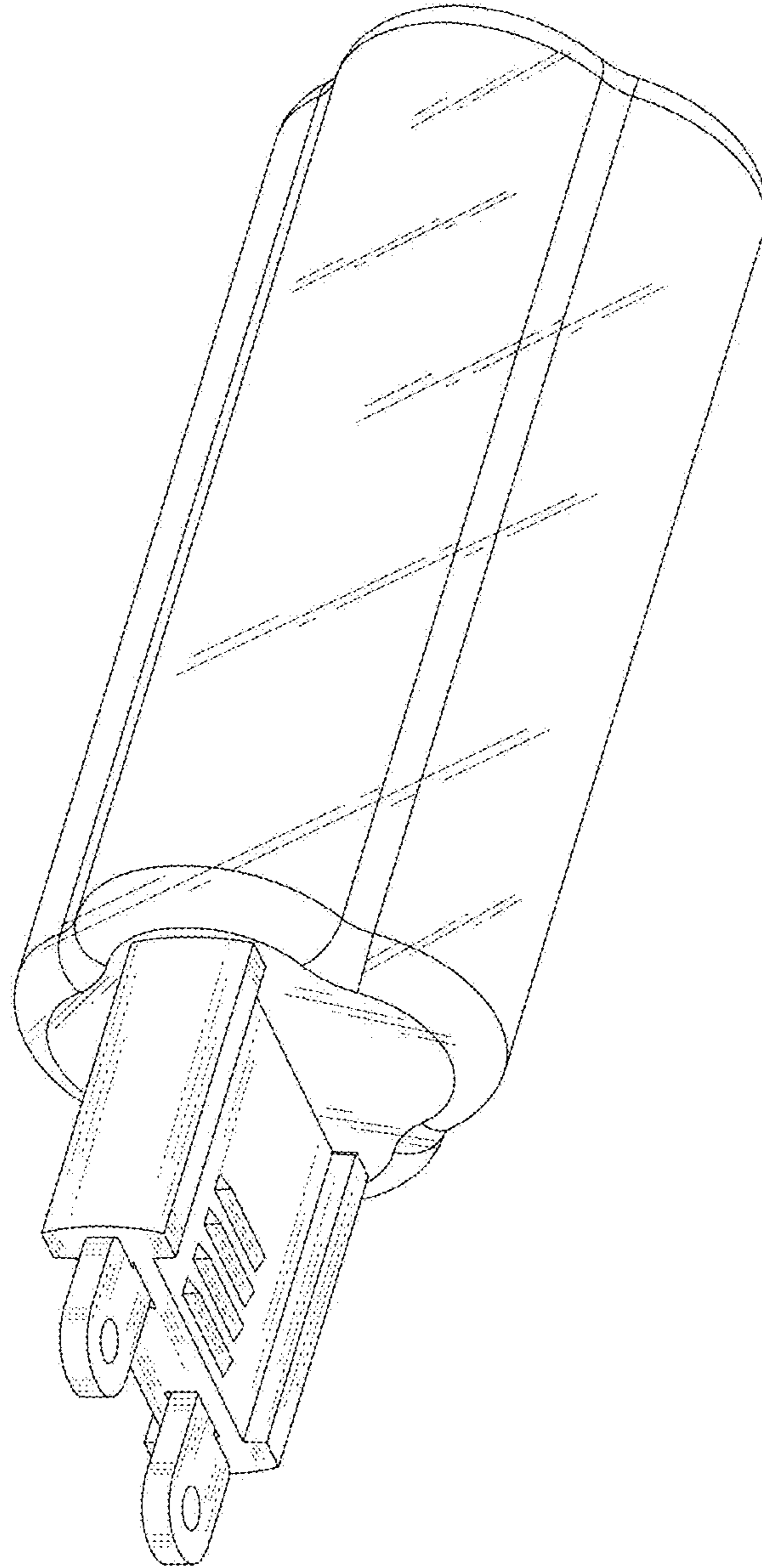


FIG.1

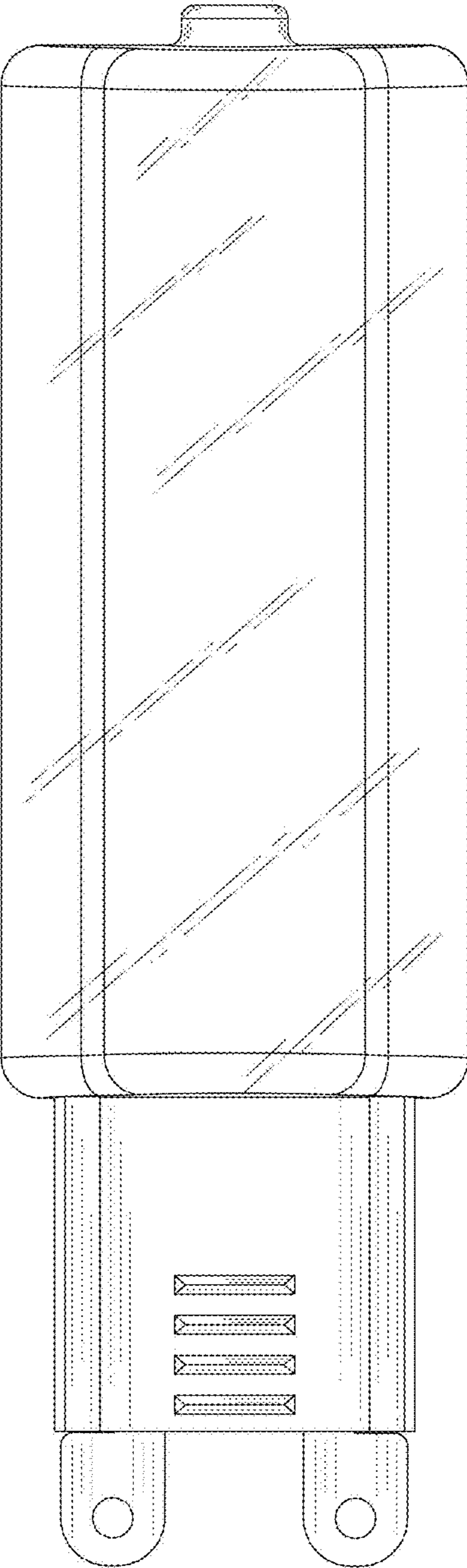


FIG.2

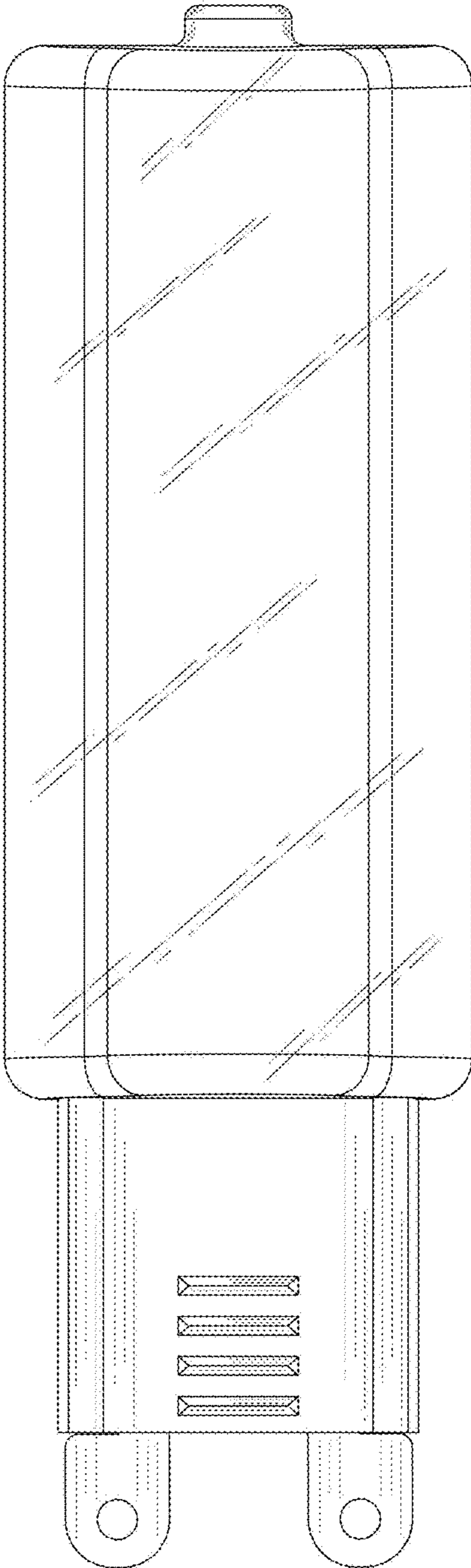


FIG.3

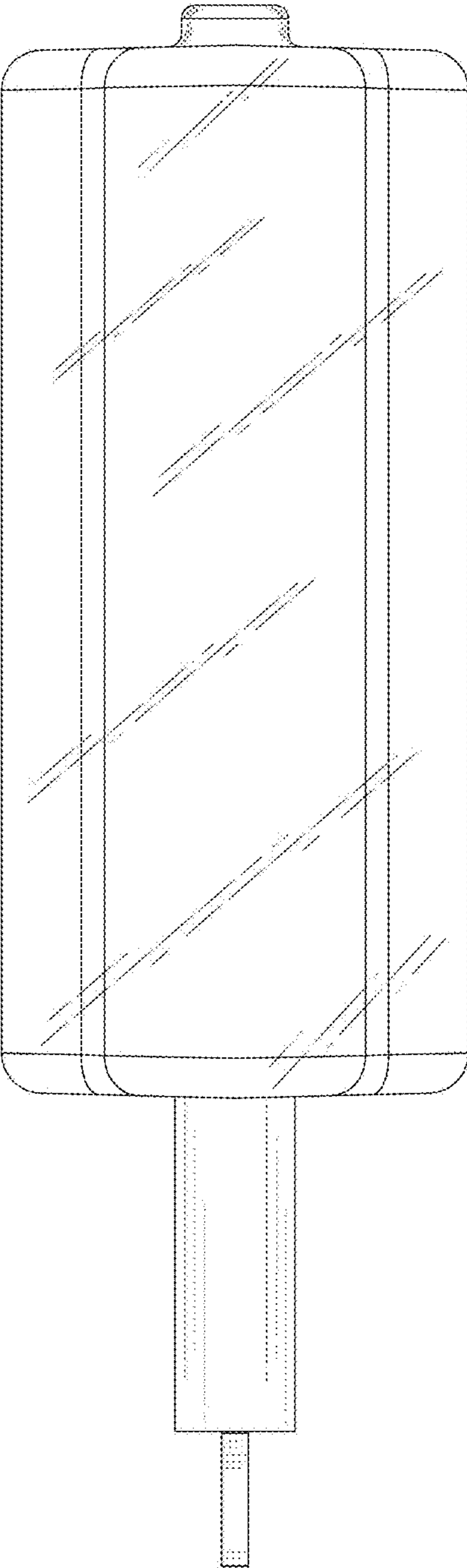


FIG.4

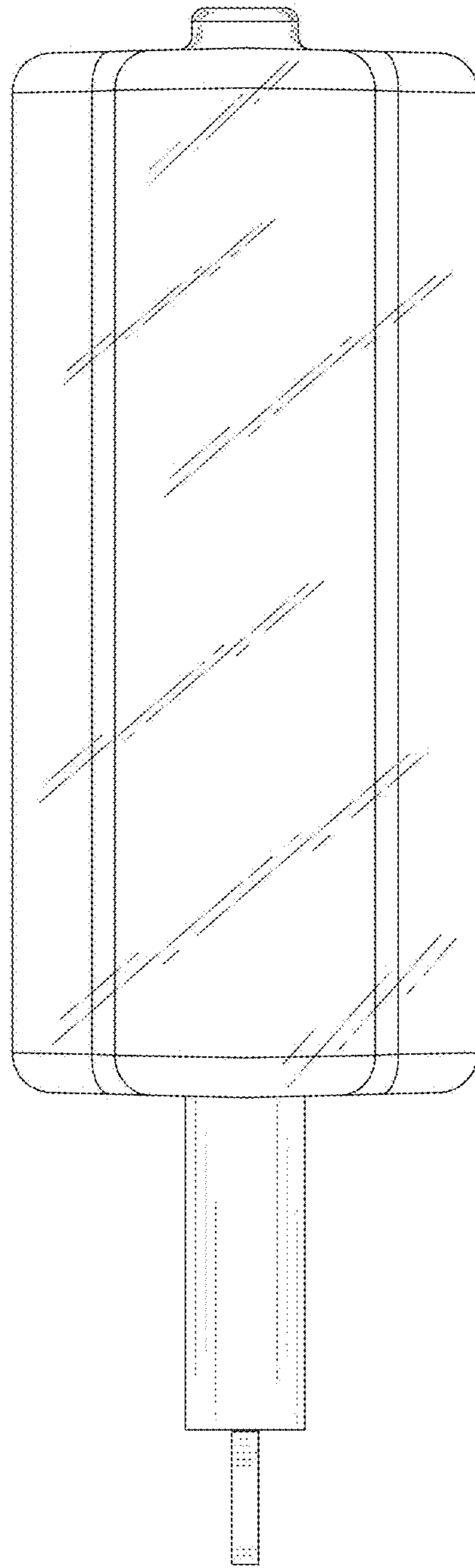


FIG.5

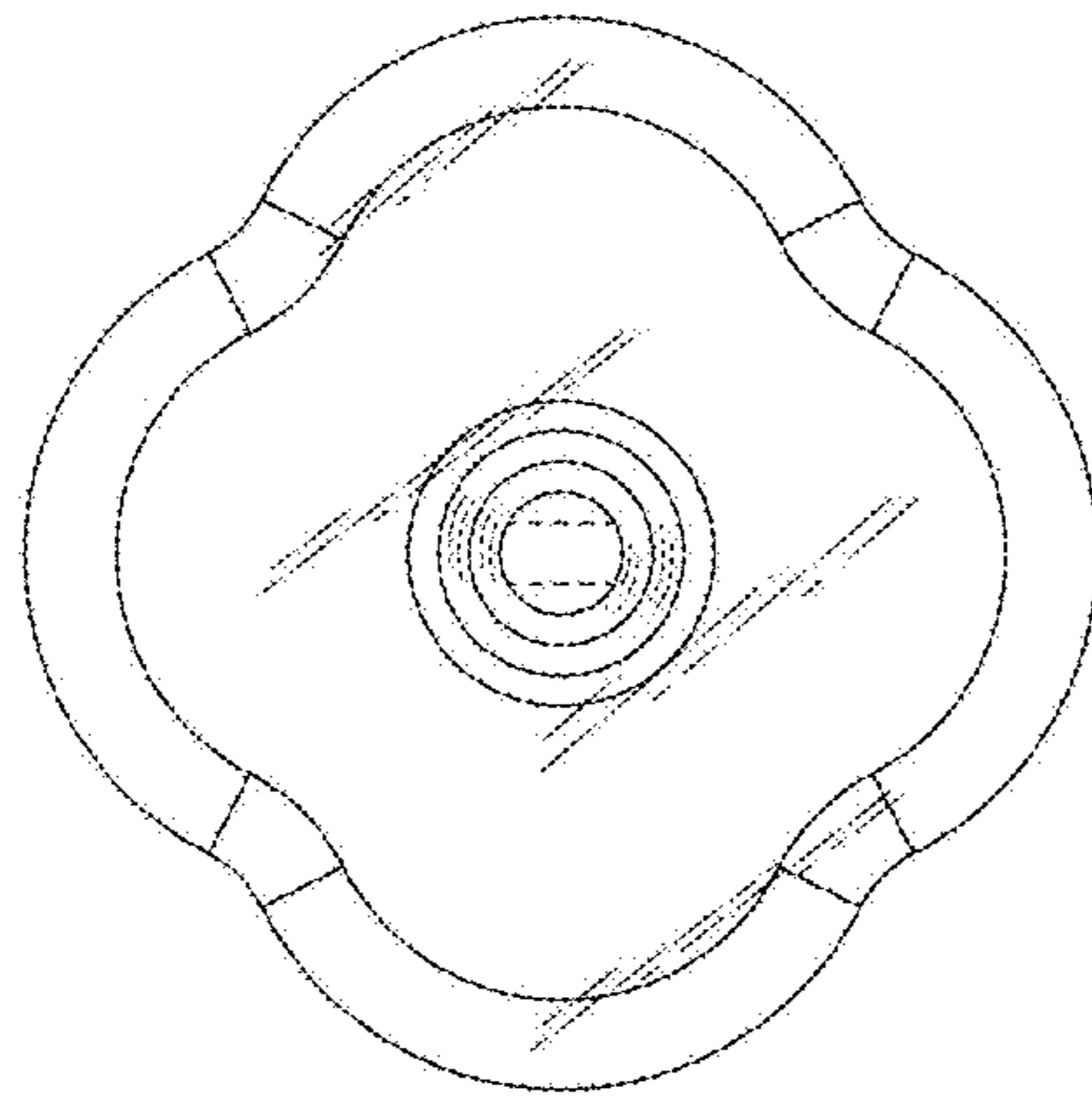


FIG.6

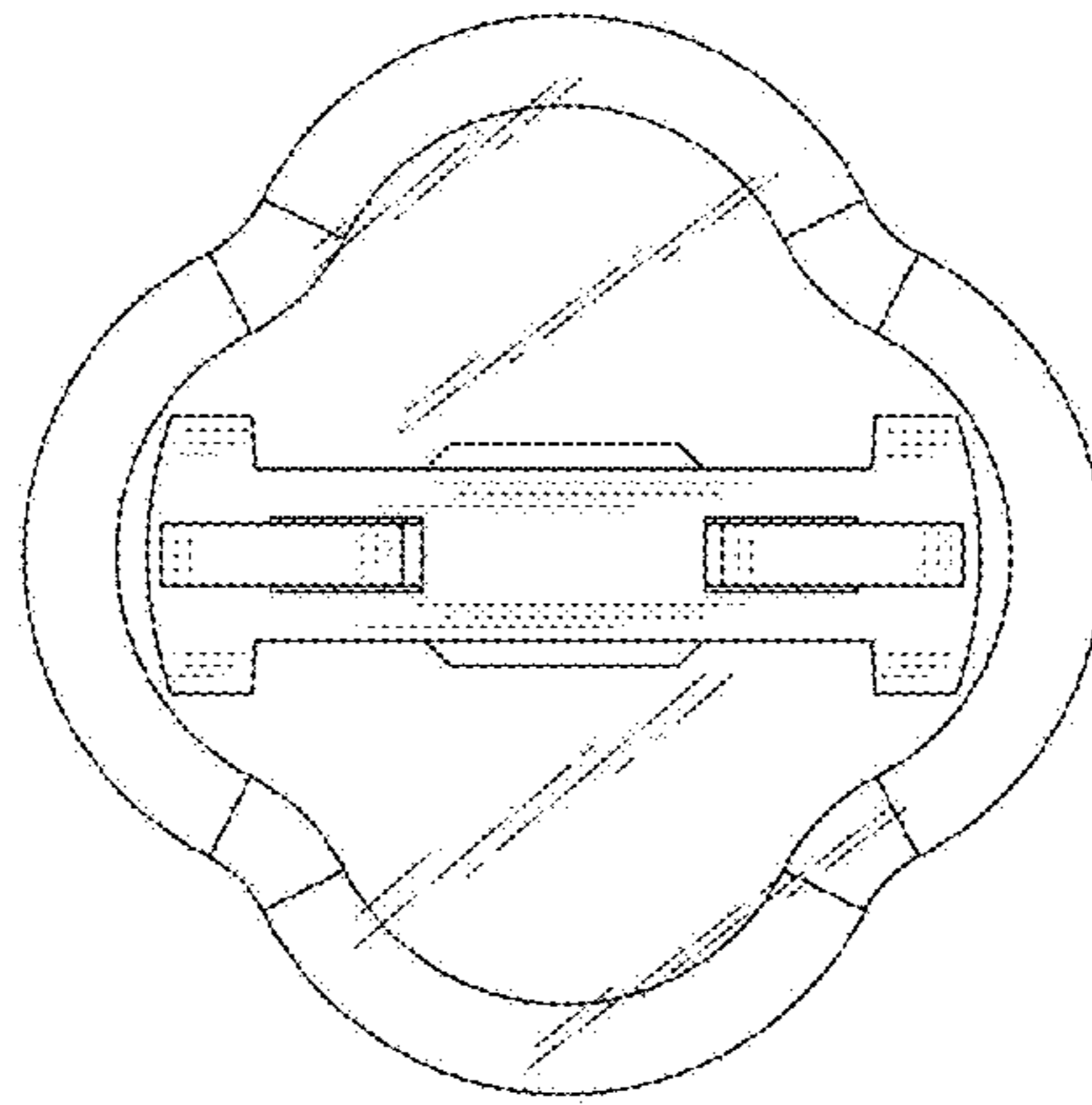


FIG. 7