



US00D952193S

(12) **United States Design Patent**
Dunning-Gill

(10) **Patent No.:** **US D952,193 S**

(45) **Date of Patent:** **** May 17, 2022**

(54) **CUSHION FOR FENCE**

(71) Applicant: **Dianne Dunning-Gill**, Kirkwood, MO
(US)

(72) Inventor: **Dianne Dunning-Gill**, Kirkwood, MO
(US)

(**) Term: **15 Years**

(21) Appl. No.: **29/716,117**

(22) Filed: **Dec. 6, 2019**

(51) **LOC (13) Cl.** **25-01**

(52) **U.S. Cl.**
USPC **D25/135**

(58) **Field of Classification Search**
USPC D25/125, 126, 127, 128, 129, 130, 131,
D25/132, 133, 134, 135, 136
CPC E04H 17/16; E04H 17/20; E04H 17/00;
E04H 17/05; E04H 17/124; E04H
17/1404; E04H 17/1447; G09F 15/0006;
D10B 2403/0333; E01F 13/022; F16M
13/02; G06T 11/60

See application file for complete search history.

(56) **References Cited**

U.S. PATENT DOCUMENTS

D369,391 S * 4/1996 Jump, Jr. D21/685
D735,363 S * 7/2015 Moller D25/136

D735,364 S * 7/2015 Moller D25/136
D735,897 S * 8/2015 Moller D25/136
D741,962 S * 10/2015 Terrian D21/686
D773,696 S * 12/2016 Molinelli D25/136
D919,311 S * 5/2021 Jin D6/349
2005/0095060 A1* 5/2005 Buttau F16B 5/125
403/252
2014/0378283 A1* 12/2014 Qiu A61H 1/0292
482/142

* cited by examiner

Primary Examiner — Samantha Q Lawrence

(74) *Attorney, Agent, or Firm* — Hovey Williams LLP

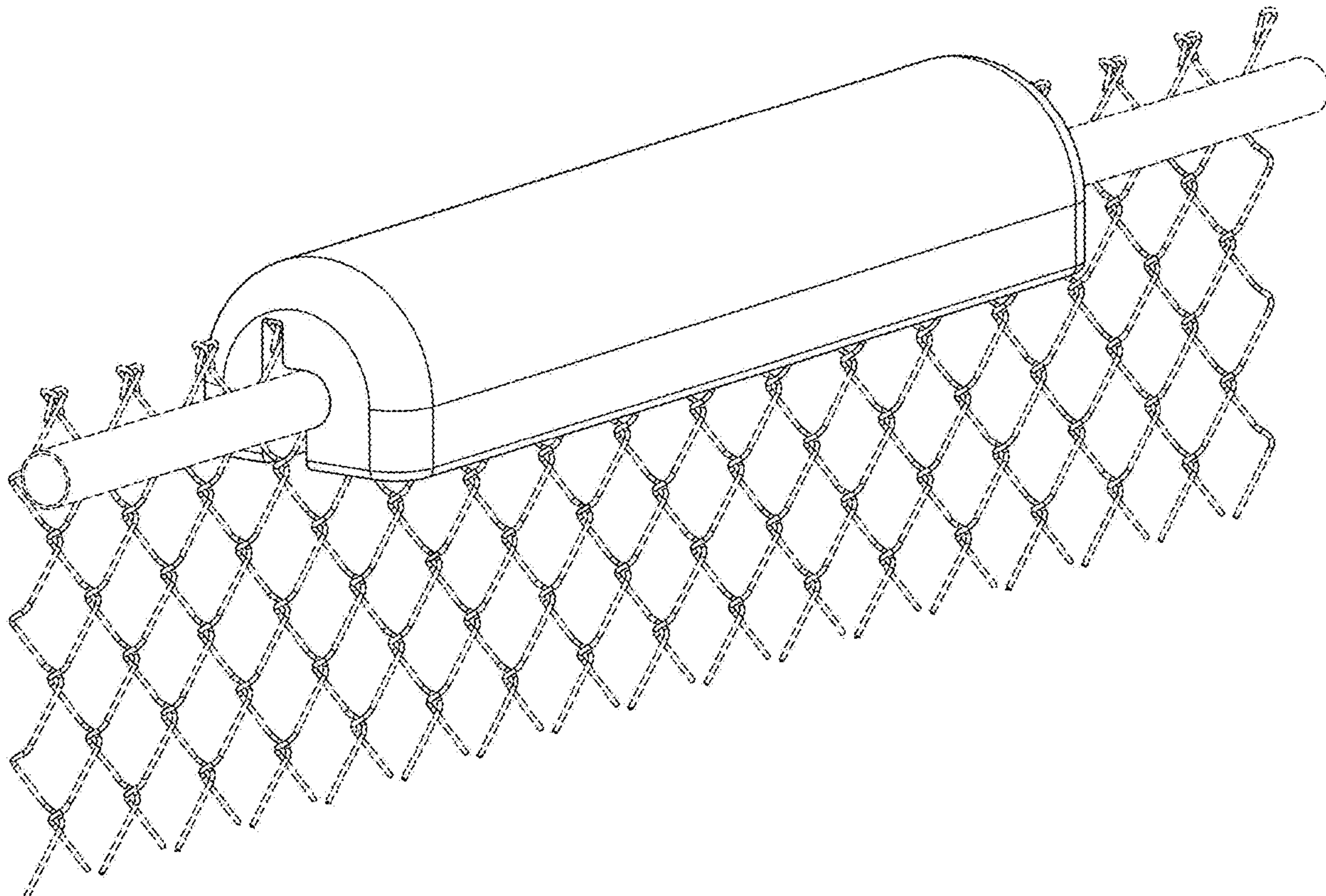
(57) **CLAIM**

The ornamental design for a cushion for a fence, as shown and described.

DESCRIPTION

FIG. 1 is a perspective view of a cushion for fence;
FIG. 2 is a perspective view thereof;
FIG. 3 is an elevation view thereof, with the opposite side being a mirror image thereof;
FIG. 4 is a plan view thereof;
FIG. 5 is a side elevation view thereof, with the opposite side being a mirror image thereof; and,
FIG. 6 is a bottom view thereof.
The broken lines shown in FIG. 1 illustrates environment and form no part of the claimed design.

1 Claim, 3 Drawing Sheets



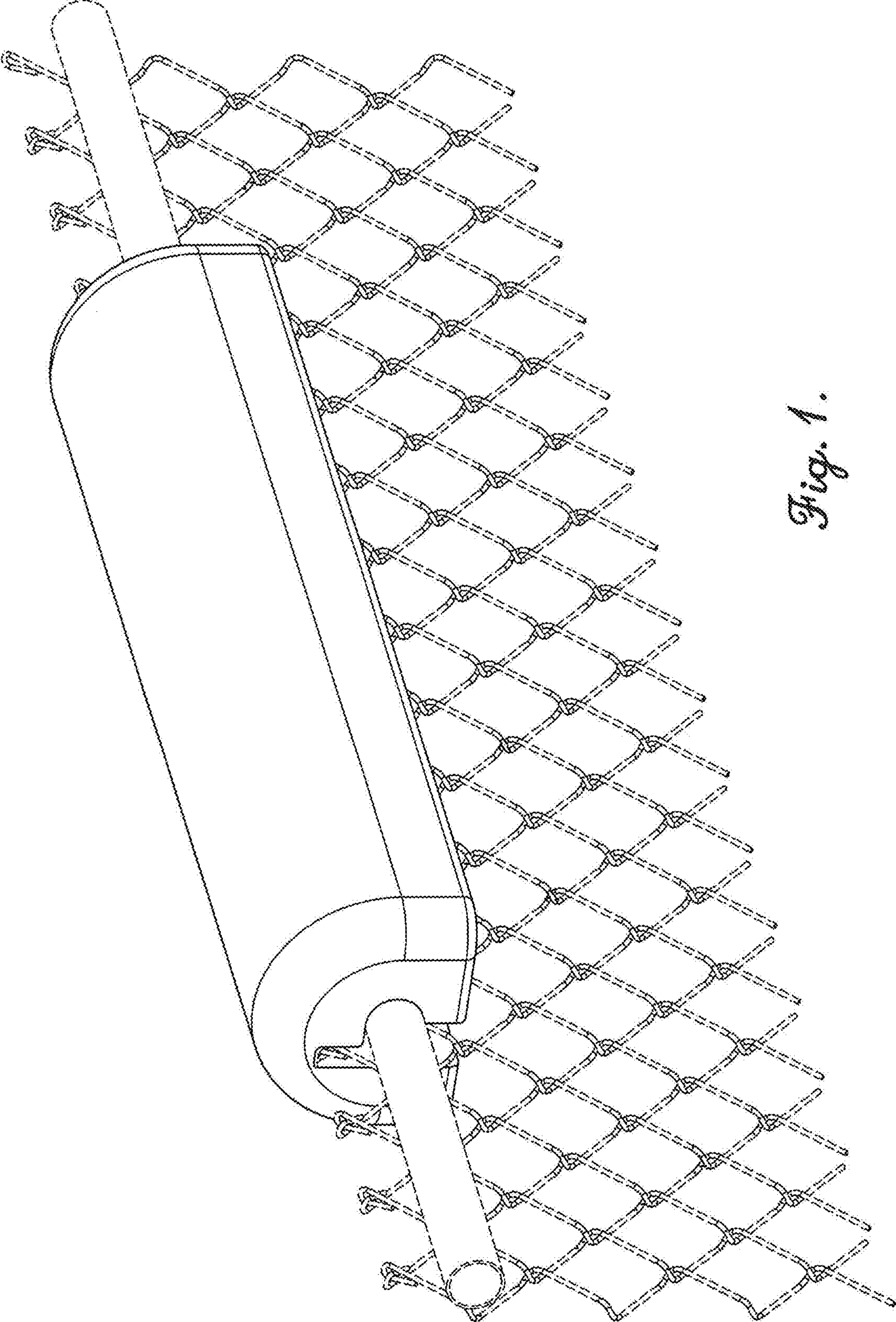


Fig. 1.

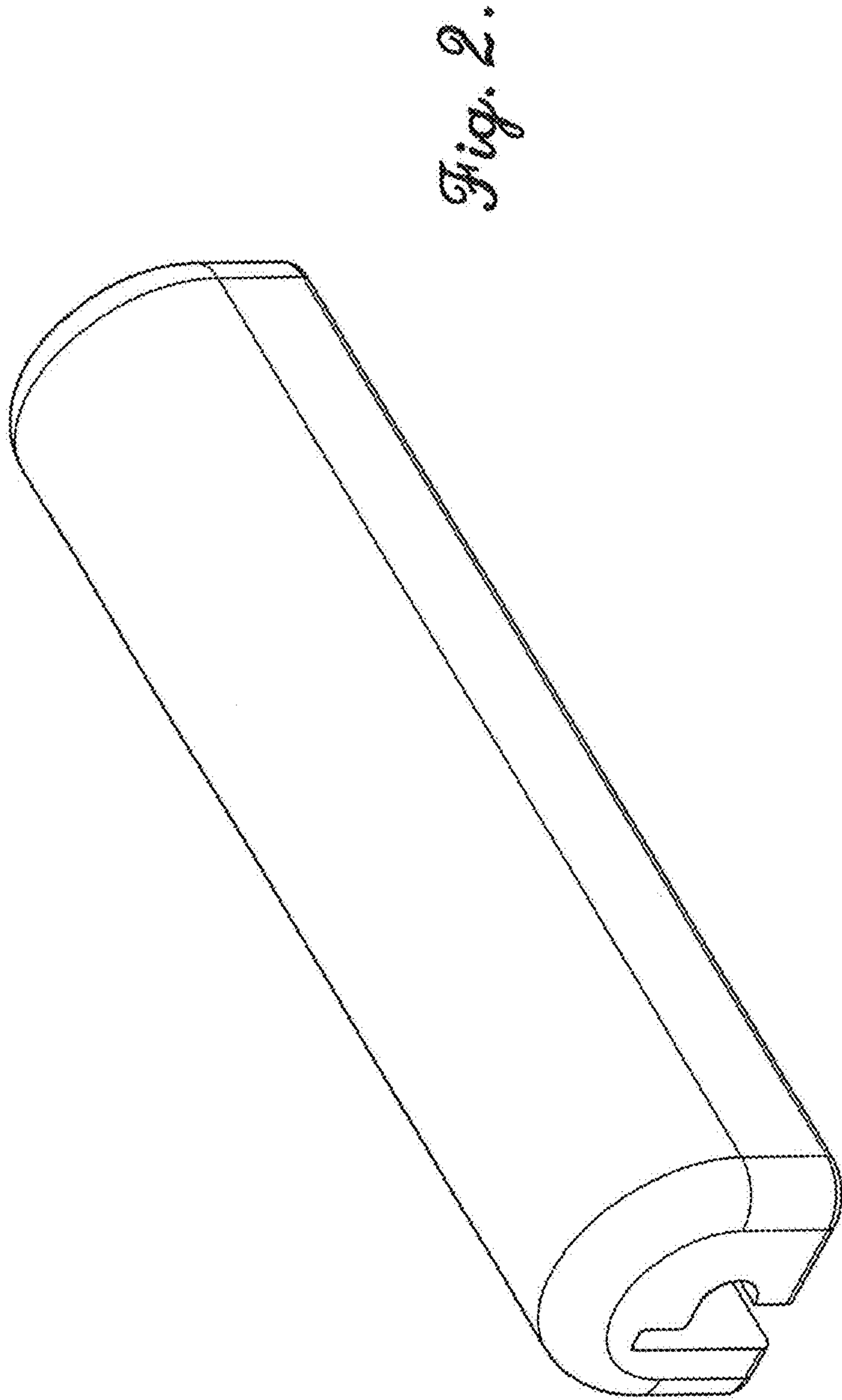


Fig. 2.

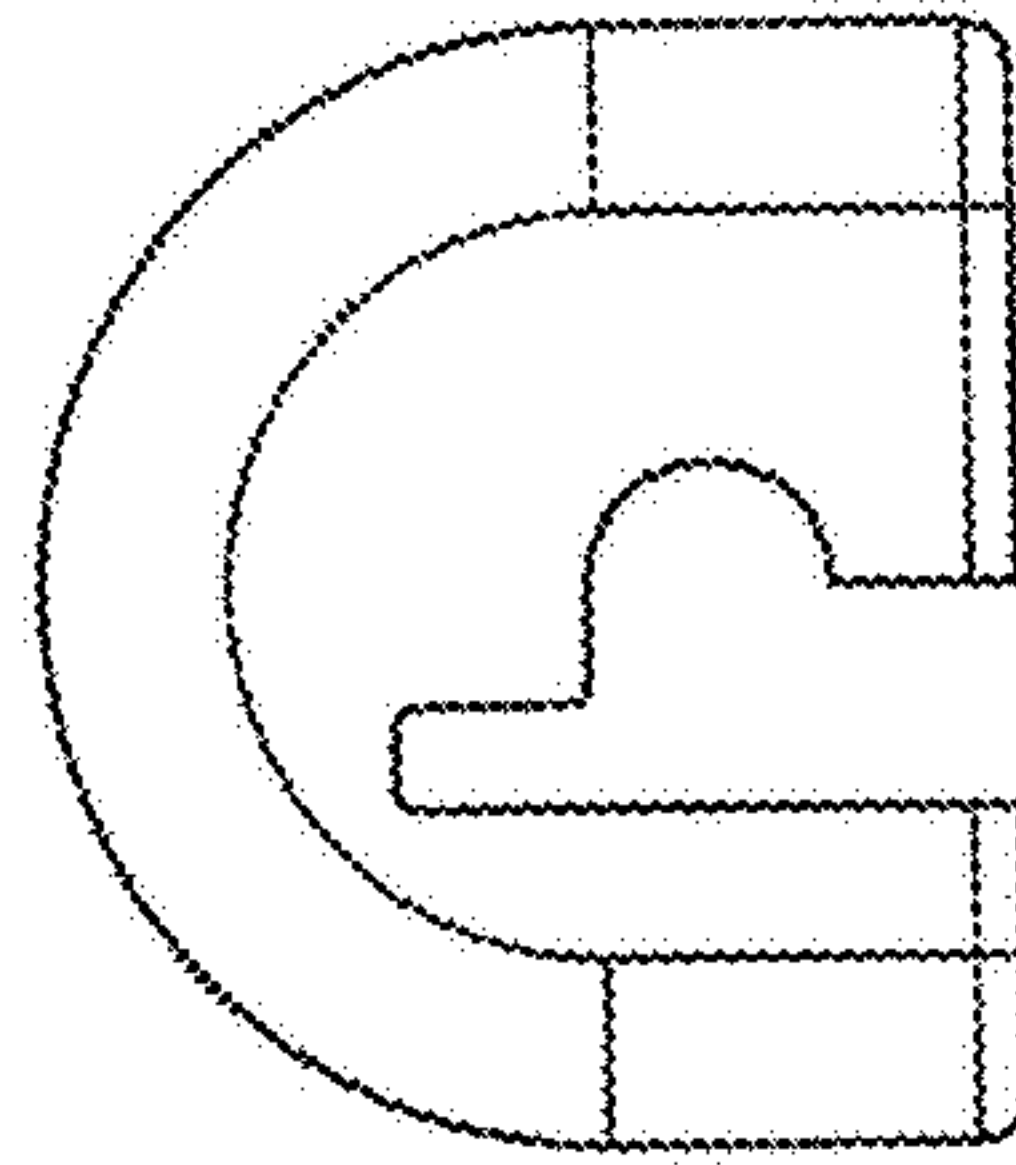


Fig. 3.

Fig. 4.

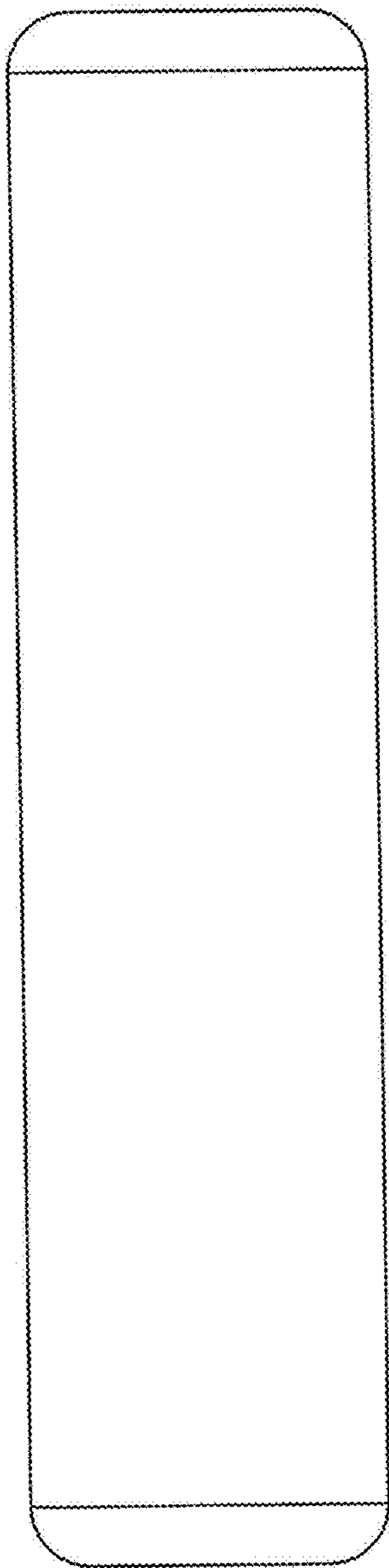


Fig. 5.

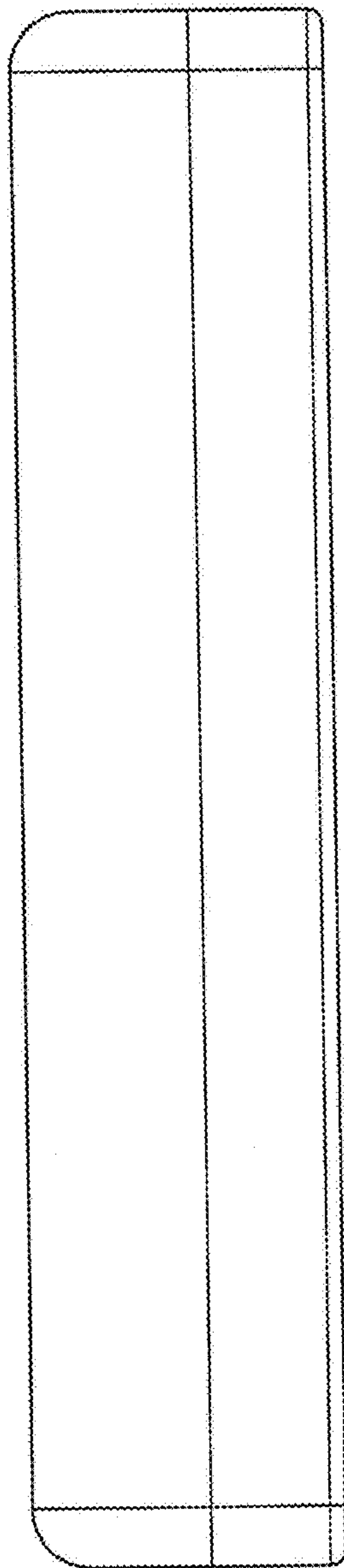


Fig. 6.

