



US00D952192S

(12) **United States Design Patent** (10) **Patent No.:** **US D952,192 S**
Agerup (45) **Date of Patent:** **** May 17, 2022**

- (54) **GROUND PLUG**
- (71) Applicant: **FAM. AG HOLDING APS**, Stangerup (DK)
- (72) Inventor: **Carsten Agerup**, Hillerød (DK)
- (73) Assignee: **FAM. AG HOLDING APS**, Slangerup (DK)
- (**) Term: **15 Years**
- (21) Appl. No.: **29/665,807**
- (22) Filed: **Oct. 7, 2018**

Related U.S. Application Data

- (63) Continuation of application No. 29/619,825, filed on Oct. 2, 2017, now abandoned, which is a continuation (Continued)
 - (51) **LOC (13) Cl.** **25-01**
 - (52) **U.S. Cl.**
USPC **D25/133**
 - (58) **Field of Classification Search**
USPC D25/125, 126, 127, 128, 129, 130, 131, D25/132, 133, 134, 135, 136, 119, 141
CPC E04H 17/16; E04H 17/20; E04H 17/00; E04H 17/05; E04H 17/124; E04H 17/1404; E04H 17/1447; E04H 12/2261; E04H 12/2276; E04H 17/08; G09F 15/0006; G09F 15/0037; D10B 2403/0333; E01F 13/022; E01F 15/0469; E01F 15/141; E01F 15/0461; E01F 15/0476; E01F 9/681; F16M 13/02; G06T 11/60; A47B 95/043; B65G 1/02; B65G 2207/40; Y10S 256/05; E02D 27/42; E04B 1/4107
- See application file for complete search history.

(56) **References Cited**
U.S. PATENT DOCUMENTS

D371,209 S 6/1996 De Zen
5,882,450 A 3/1999 Farrington
(Continued)

FOREIGN PATENT DOCUMENTS

WO 2004090265 A1 10/2004

Primary Examiner — Samantha Q Lawrence
(74) *Attorney, Agent, or Firm* — Polson Intellectual Property Law, PC; Margaret Polson

(57) **CLAIM**

The ornamental design for a ground plug, as shown and described.

DESCRIPTION

FIG. 1 is a front side elevation view of our new design for a ground plug, the back side being a mirror image thereof. FIG. 2 is an enlarged top, front side isometric view of the circle of FIG. 1.

FIG. 3 is a side elevation view of the right and left sides of FIG. 1, which are identical.

FIG. 4 is a top plan view of FIG. 1.

FIG. 5 is a bottom plan view of FIG. 1.

FIG. 6 is an enlarged top, front isometric view of the ground plug, with optional attachments shown exploded off the ground plug.

FIG. 7 is a front side elevation view of the ground plug with optional attachments, the back side being a mirror image thereof.

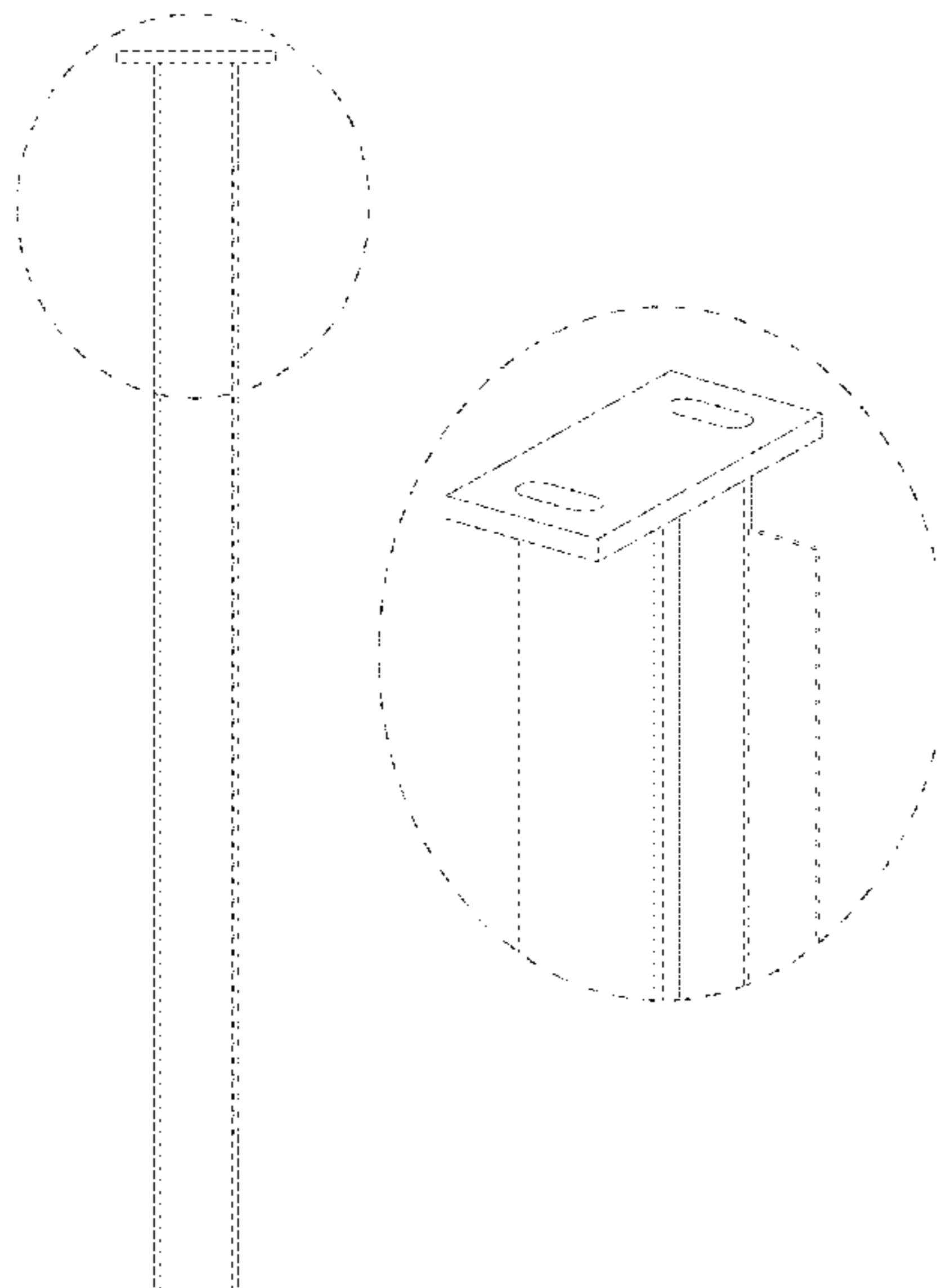
FIG. 8 is an enlarged top front isometric view of the ground plug of FIG. 7.

FIG. 9 is a side elevation view of the right and left sides of FIG. 7, which are identical.

FIG. 10 is a top plan view of FIG. 7; and, FIG. 11 is a bottom plan view of FIG. 7.

The features shown in broken lines in the drawing depict environmental subject matter only, and form no part of the claimed design.

1 Claim, 11 Drawing Sheets



Related U.S. Application Data

of application No. 14/780,411, filed as application No. PCT/EP2014/056006 on Mar. 25, 2014, now abandoned.

(56)

References Cited

U.S. PATENT DOCUMENTS

6,254,063	B1	7/2001	Rohde et al.	
D453,045	S	1/2002	Ohanesian	
6,398,192	B1	6/2002	Albritton	
6,409,156	B2	6/2002	Dent	
6,488,268	B1	12/2002	Albritton	
6,722,821	B1	4/2004	Perko et al.	
7,530,548	B2 *	5/2009	Ochoa	E01F 15/0423 256/13.1
7,537,412	B2	5/2009	Lewos	
7,878,485	B2 *	2/2011	Conway	E01F 15/0461 256/13.1
8,303,209	B2	11/2012	Lewis	
8,938,923	B2	1/2015	Nyce et al.	
9,284,744	B2	3/2016	Petterson et al.	
D753,849	S	4/2016	Cai et al.	
2002/0053664	A1 *	5/2002	Moore	E01F 15/0438 256/13.1
2007/0039281	A1	2/2007	Zambelli et al.	
2010/0205875	A1	8/2010	Rawson-Harris	
2014/0215943	A1 *	8/2014	Brown	E02D 27/42 52/295

* cited by examiner

Fig. 1

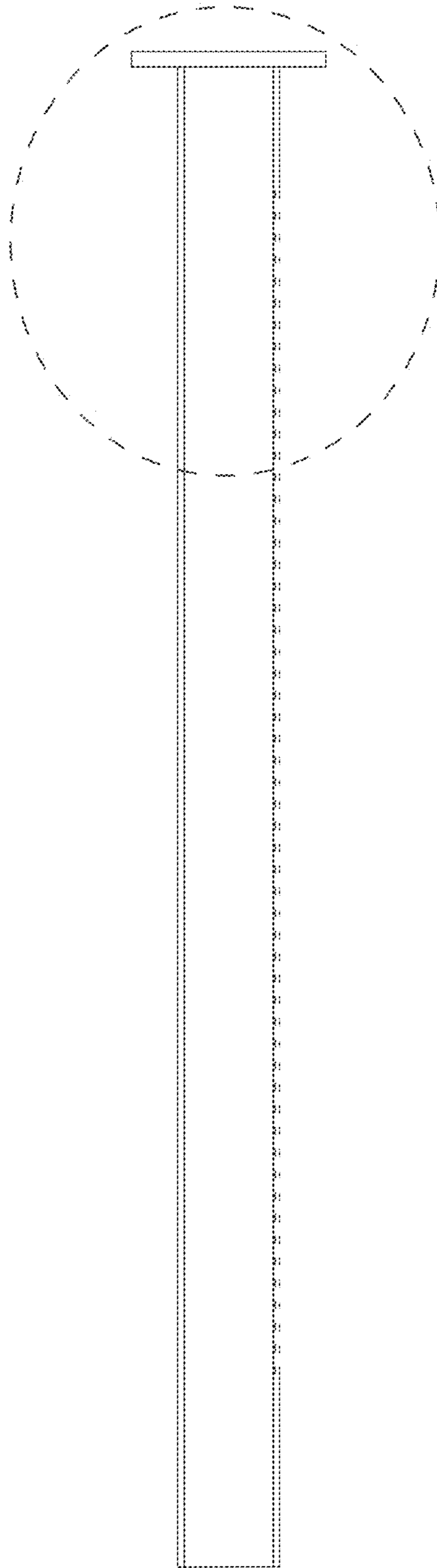


Fig. 2

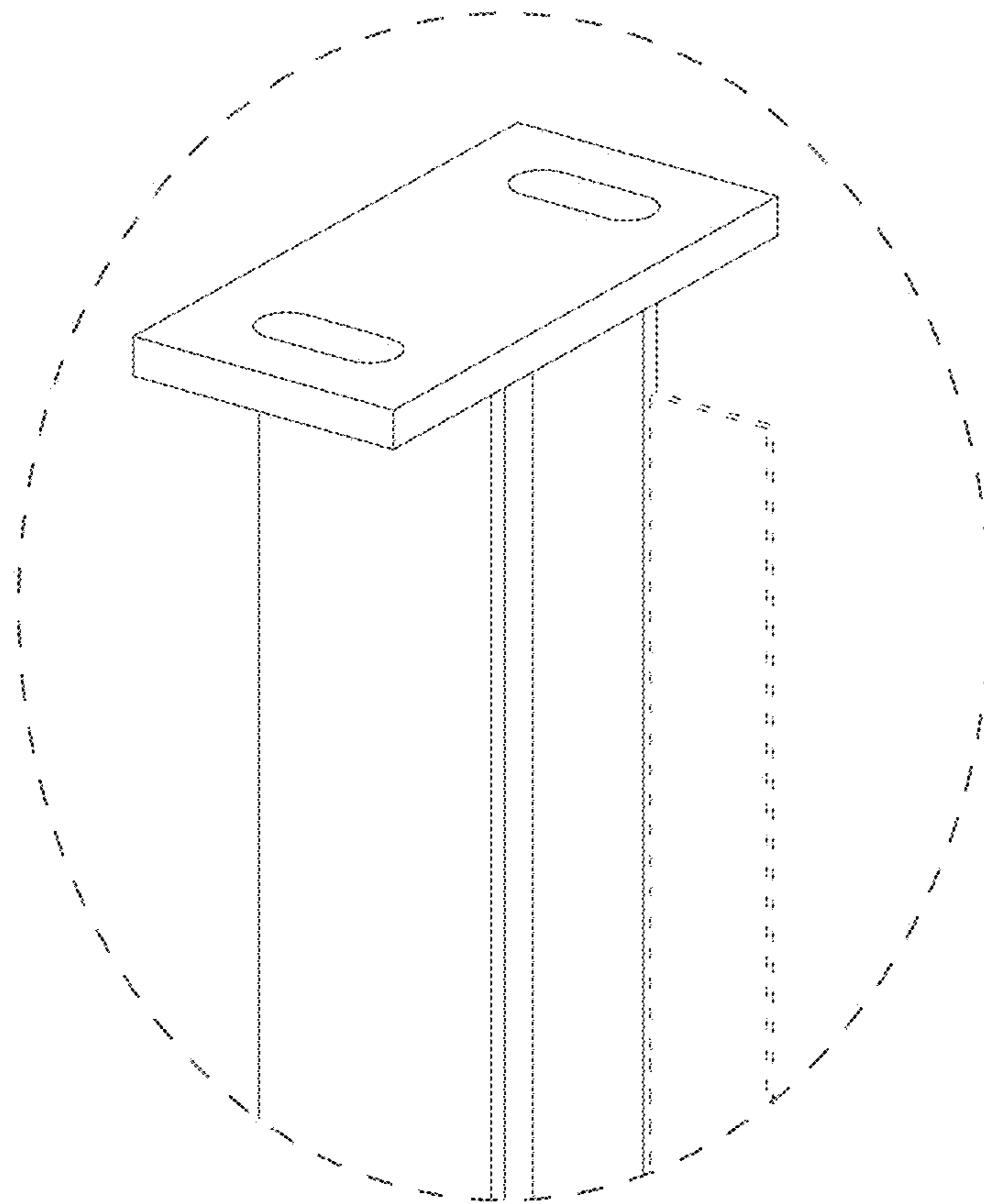


Fig. 3

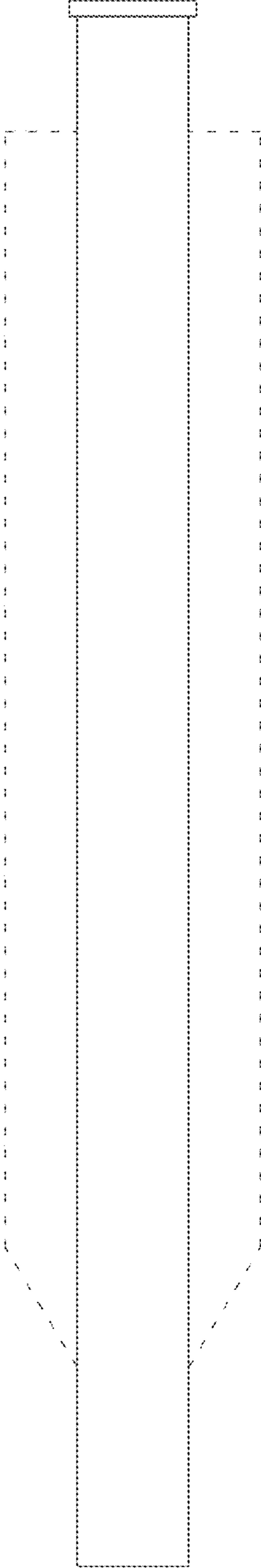


Fig. 4

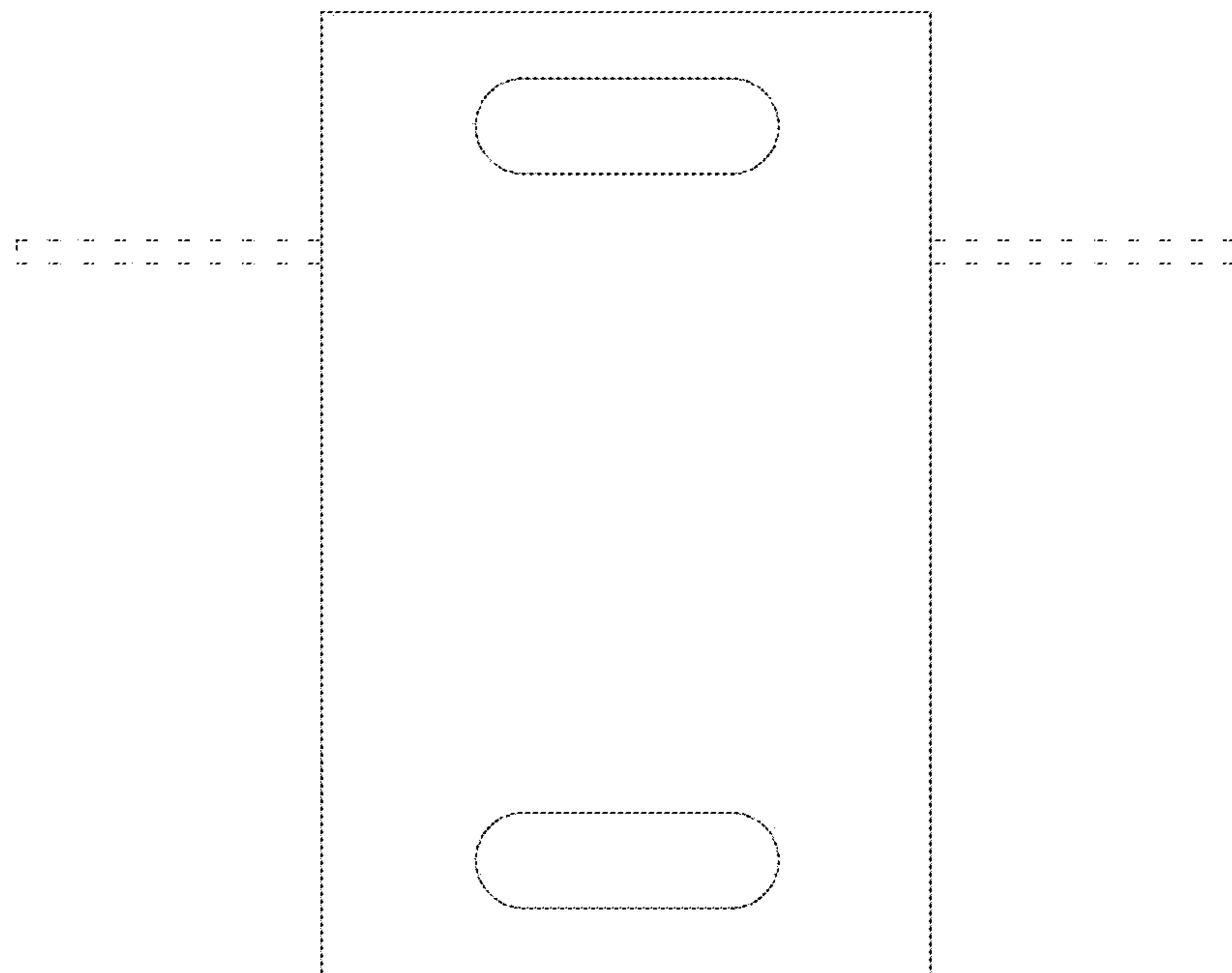


Fig. 5

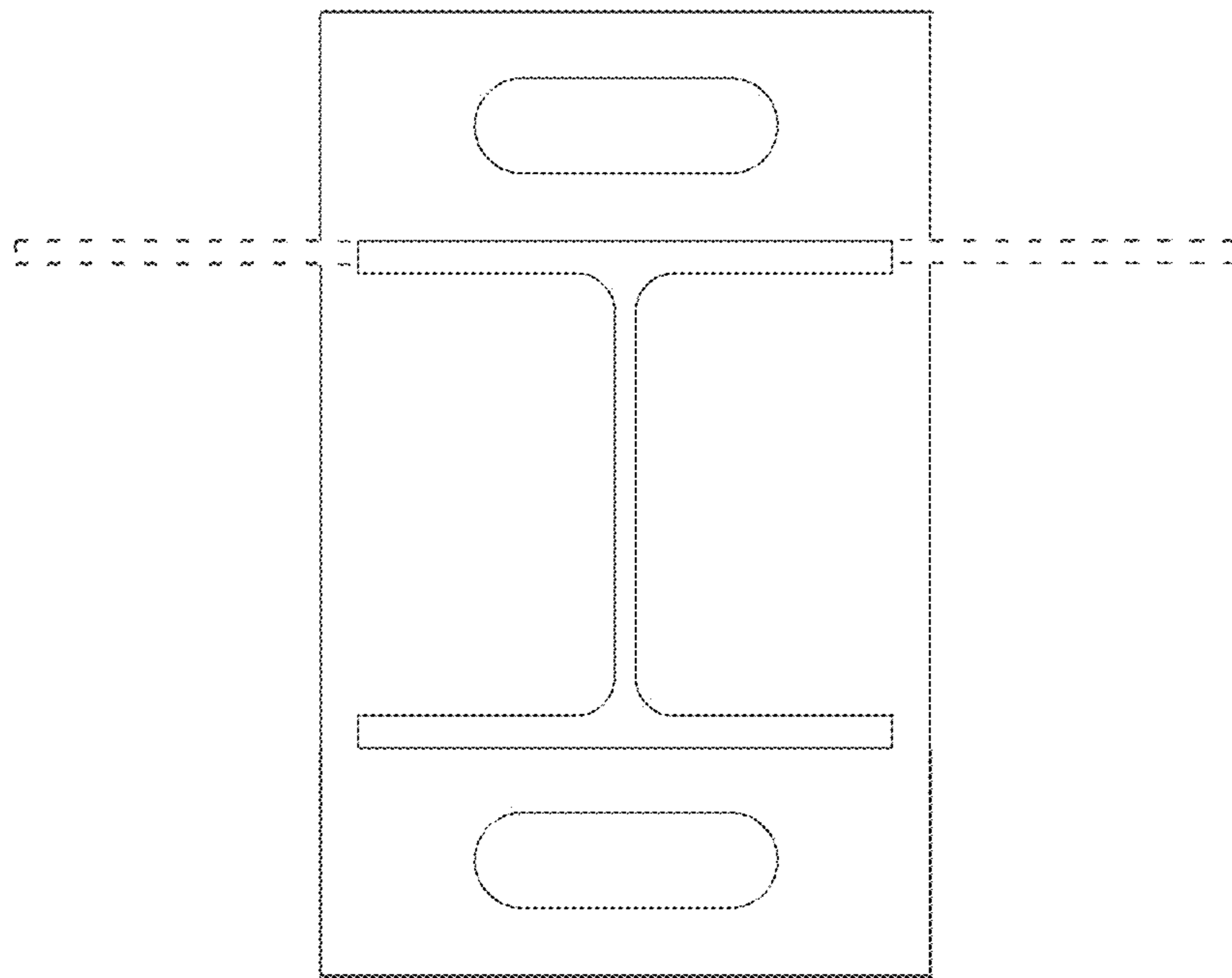


Fig. 6

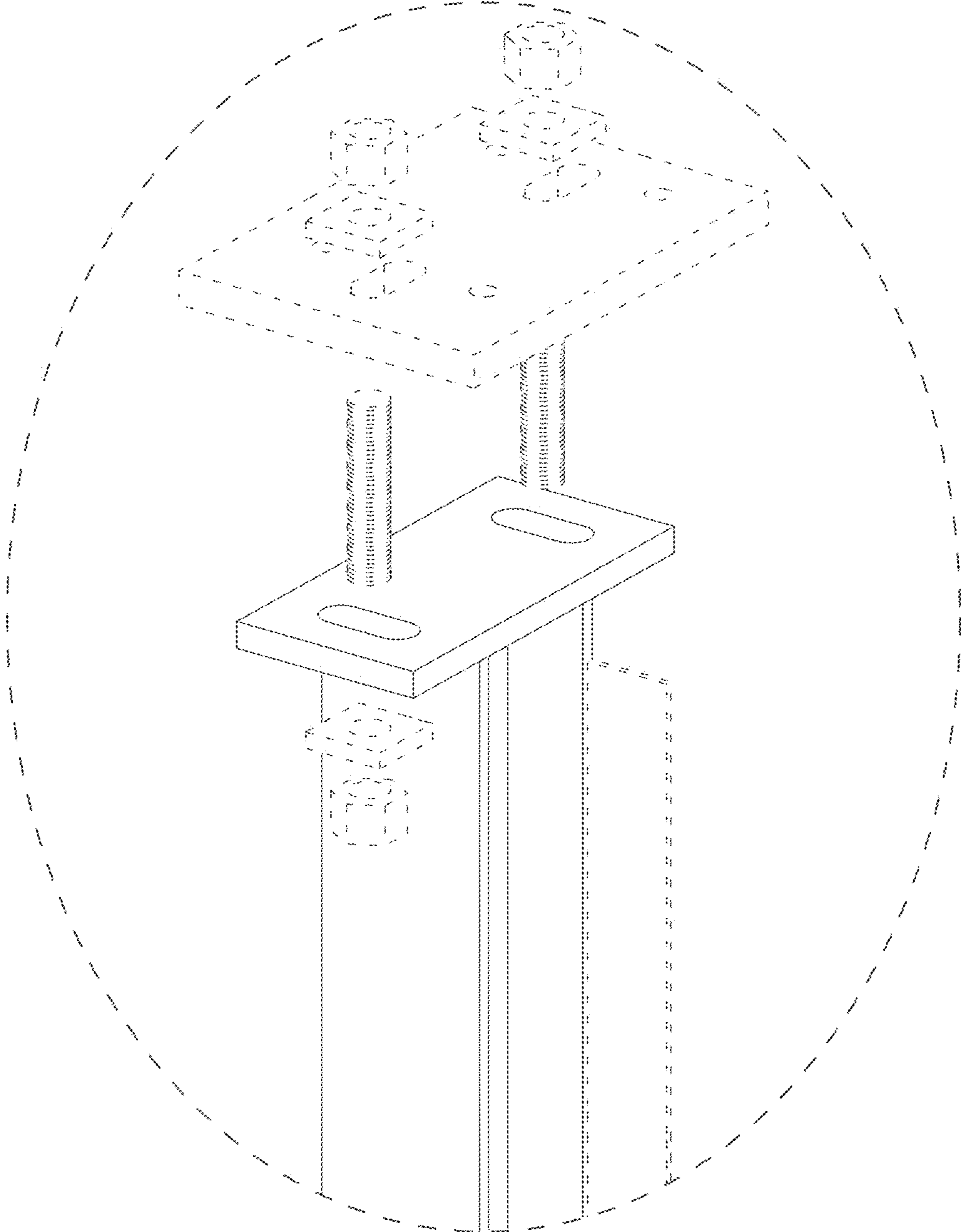


Fig. 7

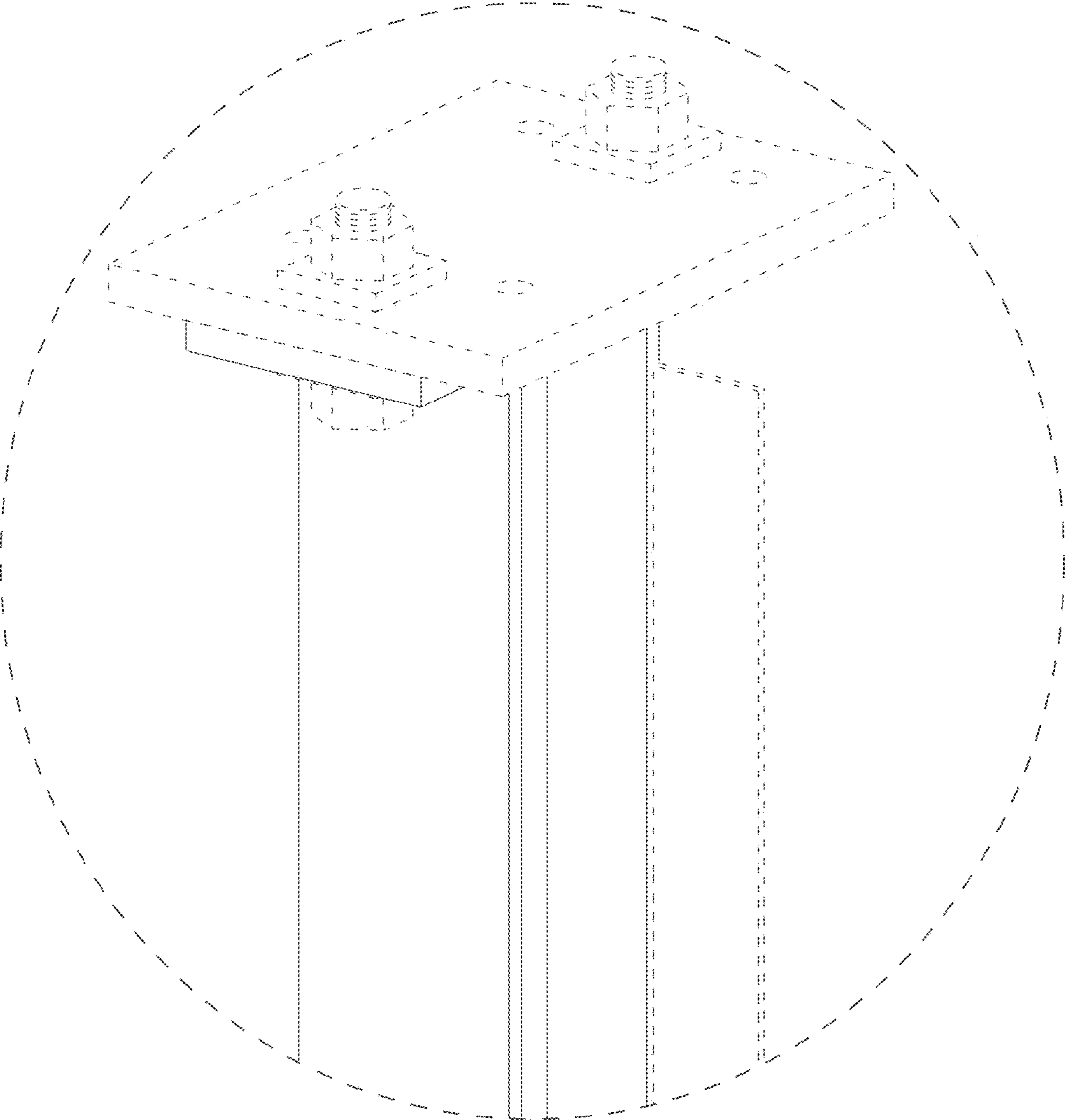


Fig. 8

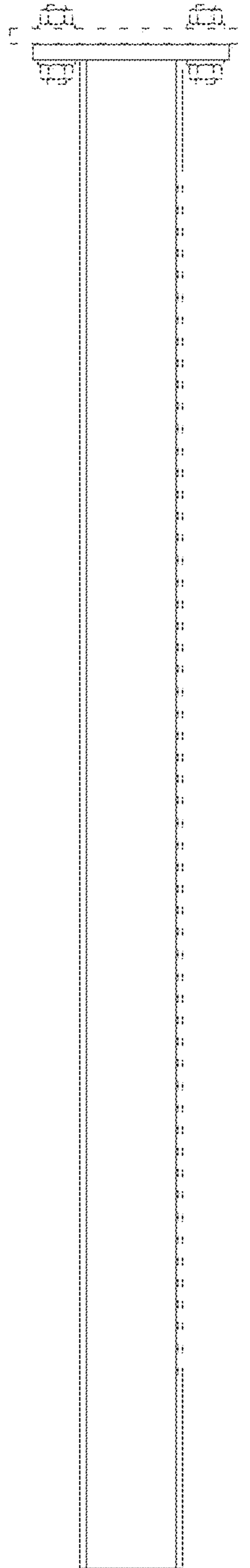


Fig. 9

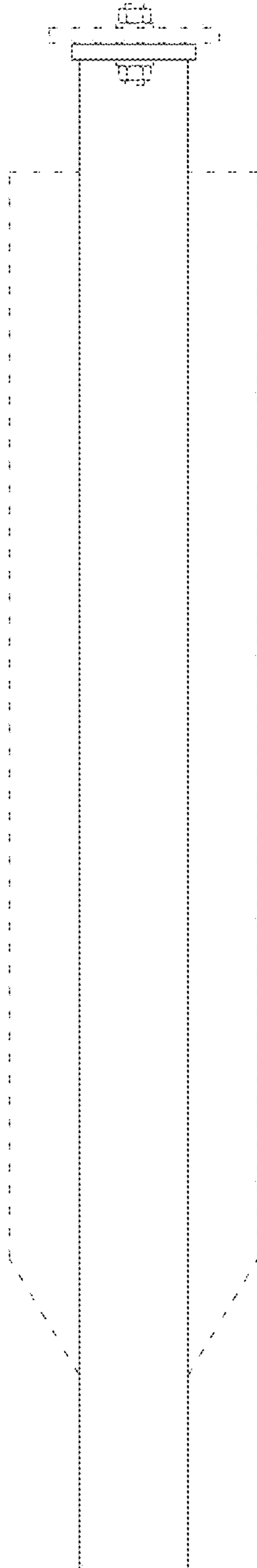


Fig. 10

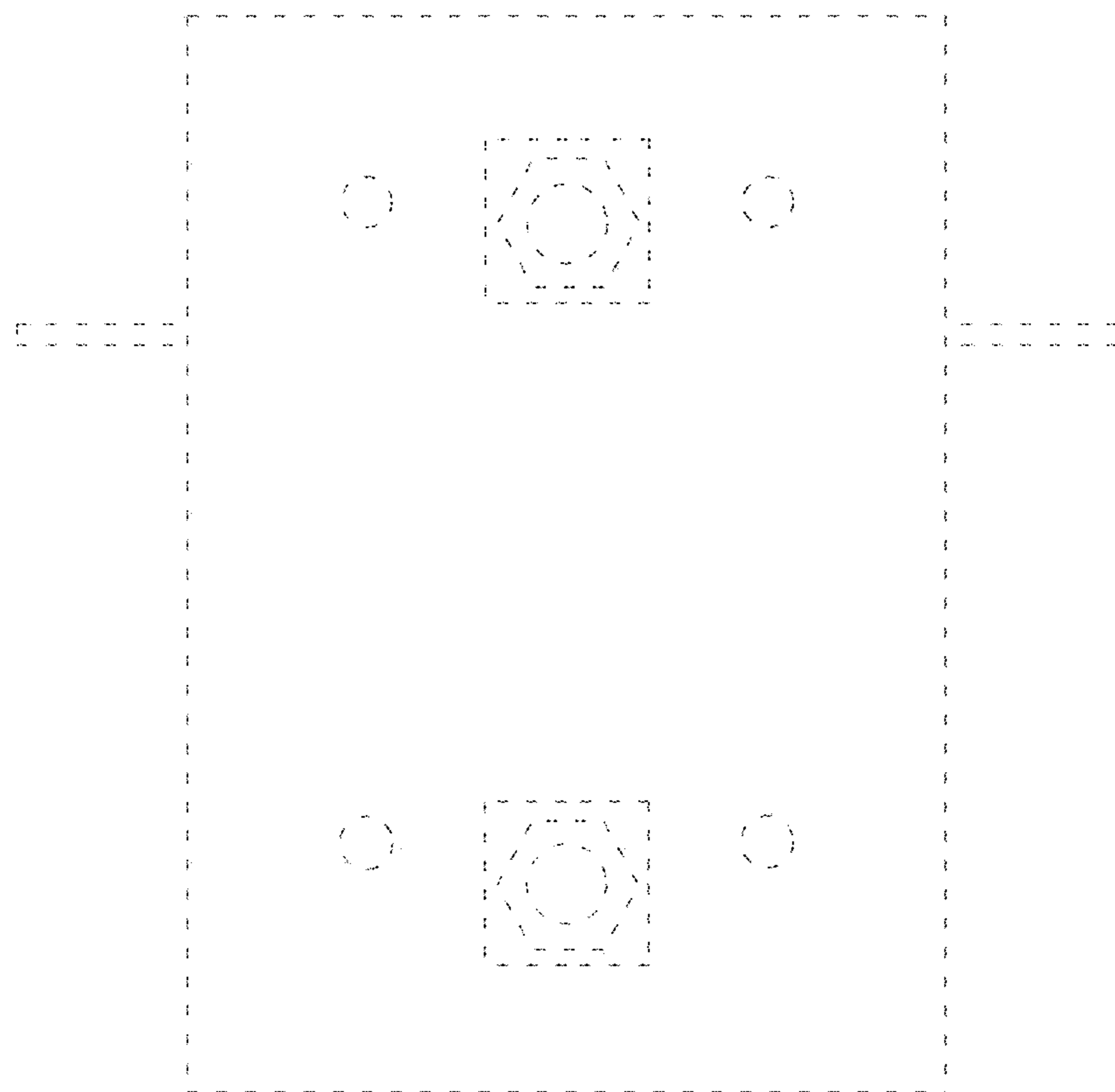


Fig. 11

