



US00D952191S

(12) **United States Design Patent** (10) **Patent No.:** **US D952,191 S**
Muther (45) **Date of Patent:** **** May 17, 2022**

(54) **MOUNTING EXTRUSION**
(71) Applicant: **Aerocompact GmbH**, Satteins (AT)
(72) Inventor: **Mathias Muther**, Röns (AT)
(73) Assignee: **AEROCOMPACT HOLDING GMBH**, Satteins (AT)
(**) Term: **15 Years**
(21) Appl. No.: **35/511,010**
(22) Filed: **Dec. 10, 2020**

D279,315	S	*	6/1985	Smith	D25/119
D343,005	S	*	1/1994	Moss	D25/119
D377,505	S	*	1/1997	Thompson	D20/43
D620,611	S	*	7/2010	Selles	D25/60
D737,671	S	*	9/2015	Chou	D8/376
D847,381	S	*	4/2019	Ksiezopolski	D25/119
D882,122	S	*	4/2020	Fisher	D25/119
D901,722	S	*	11/2020	Helms	D25/119
2012/0248271	A1	*	10/2012	Zeilenga	H02S 20/00 248/231.41
2014/0020230	A1	*	1/2014	Jolley	H02S 20/00 29/525.01
2015/0280638	A1	*	10/2015	Stephan	H02S 20/23 52/173.3

(80) **Hague Agreement Data**
Int. Filing Date: **Dec. 10, 2020**
Int. Reg. No.: **DM/211748**
Int. Reg. Date: **Dec. 10, 2020**
Int. Reg. Pub. Date: **Dec. 25, 2020**
(51) **LOC (13) Cl.** **25-01**
(52) **U.S. Cl.**
USPC **D25/119**
(58) **Field of Classification Search**
USPC D8/352, 376, 393-396; D11/3, 4, 214,
D11/215; D25/107, 108, 119, 120, 121,
D25/122, 124, 126, 129, 132, 133, 150,
D25/187
CPC ... A01G 17/08; Y10T 24/44; Y10T 24/44248;
Y10T 24/44983; E04C 2003/046; E04C
2003/0047; E04C 2003/0434; E04F
19/022; E04F 19/026; E04F 19/028; E04F
19/04; E04F 19/06; E04F 19/062; E04F
19/063; E04F 19/064; E04F 19/065;
H02S 20/00
See application file for complete search history.

OTHER PUBLICATIONS

Universal Clamp (available online) Retrieved from the internet Nov. 29, 2021 from URL: <https://www.aerocompact.com/eu/solutions/click-clamp/>.
End Clamps (available online) Retrieved from the internet Nov. 29, 2021 from URL: <https://www.wanhossolars.com/roof-mounting-system/end-clamps-to-fix-the-solar-panel-in-solar.html>.

* cited by examiner

Primary Examiner — Richard Kearney
(74) *Attorney, Agent, or Firm* — Dickinson Wright PLLC; Andrew D. Dorisio

(57) **CLAIM**

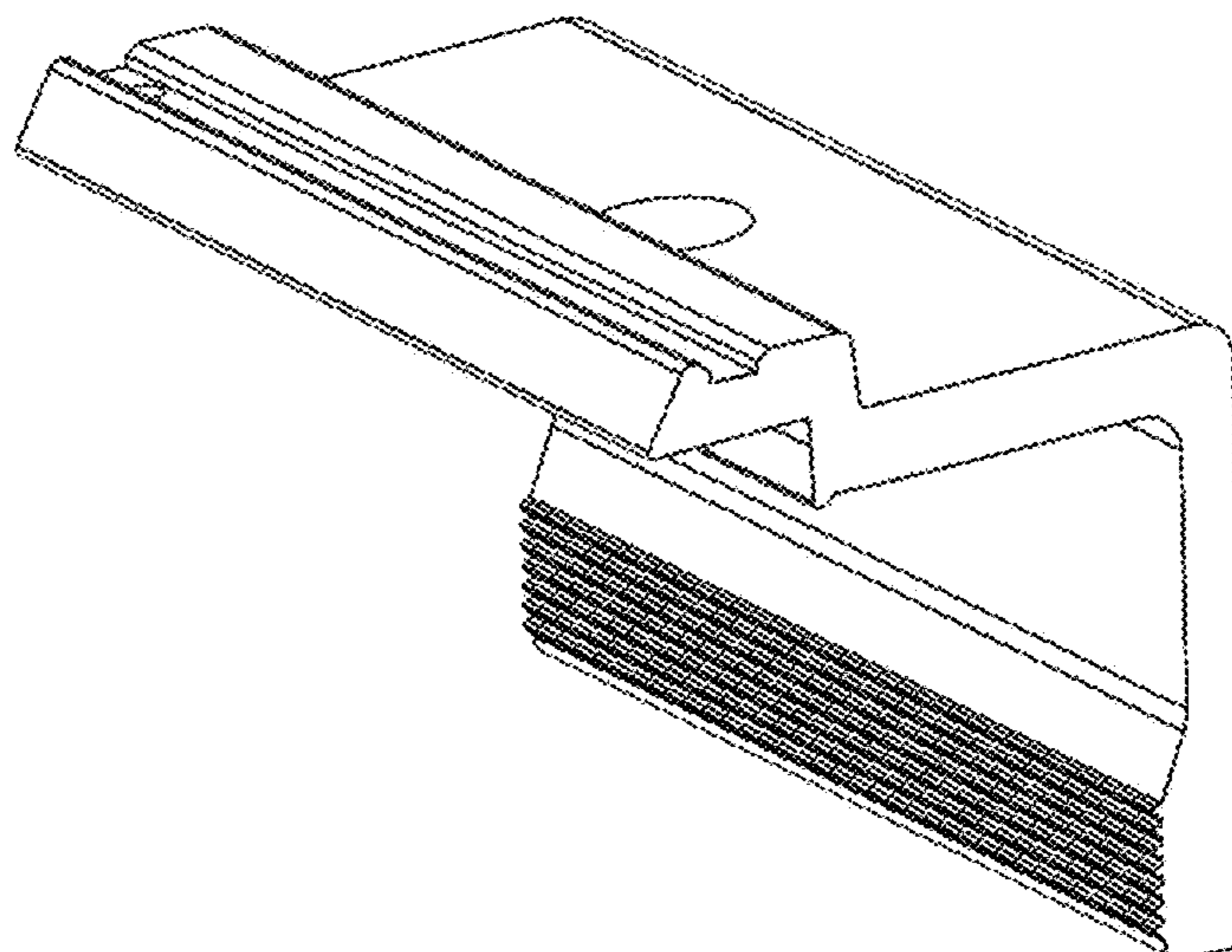
The ornamental design for a mounting extrusion, as shown and described.

DESCRIPTION

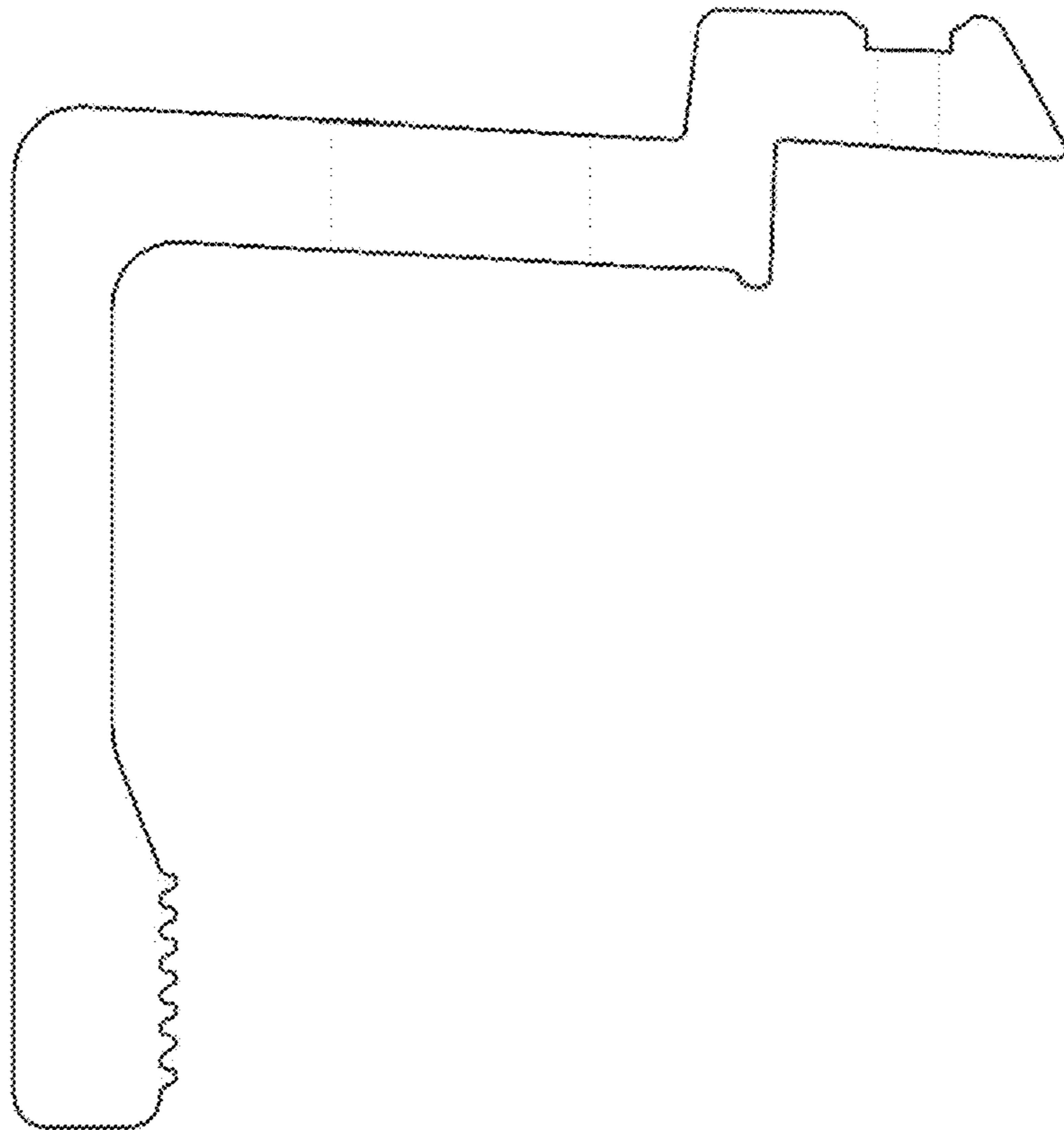
1. Mounting extrusion
1.1 is a side view.
1.2 is a top view.
1.3 is another side view.
1.4 is a perspective view.
The broken lines shown in the drawings illustrate portions of the article and form no part of the claimed design.

1 Claim, 4 Drawing Sheets

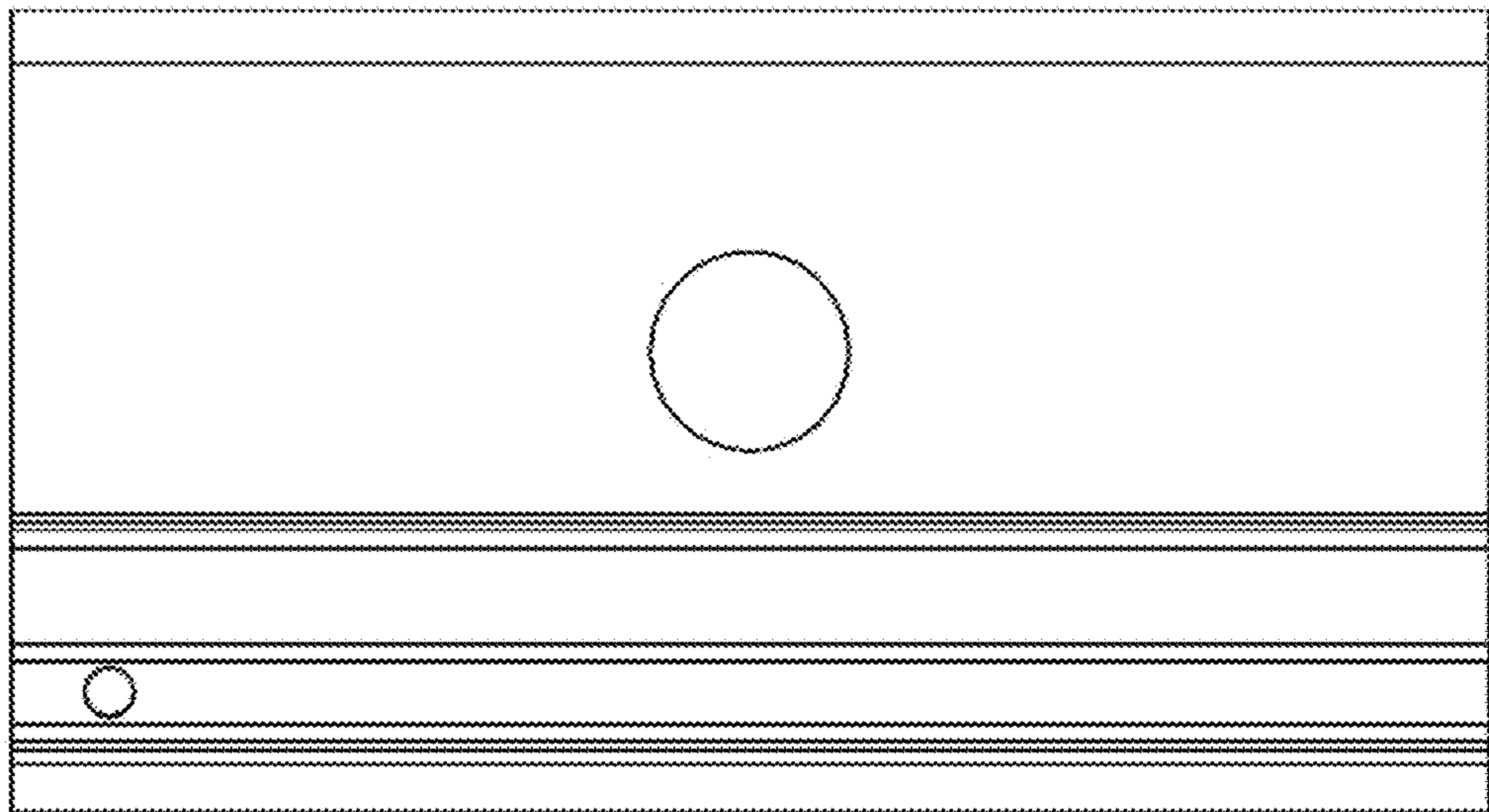
(56) **References Cited**
U.S. PATENT DOCUMENTS
D30,630 S * 4/1899 Caldwell D8/395
D110,435 S * 7/1938 Lowry D25/119



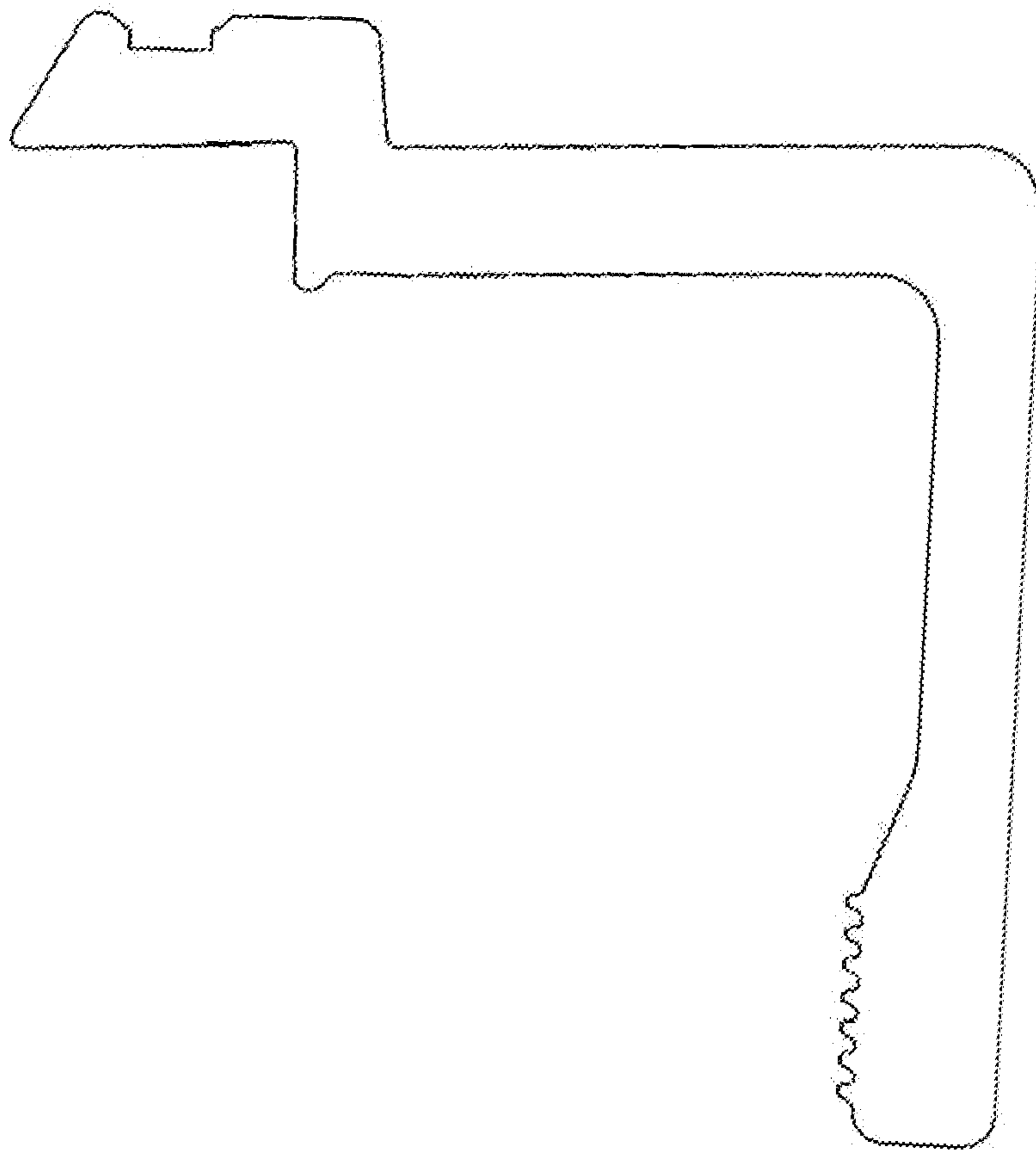
1.1



1.2



1.3



1.4

