



US00D952190S

(12) **United States Design Patent** (10) **Patent No.:** **US D952,190 S**
Rus (45) **Date of Patent:** **** May 17, 2022**

- (54) **STAIR TREAD COVER**
- (71) Applicant: **Garland Industries, Inc.**, Cleveland, OH (US)
- (72) Inventor: **Melissa Rus**, Cleveland, OH (US)
- (73) Assignee: **GARLAND INDUSTRIES, INC.**, Cleveland, OH (US)
- (**) Term: **15 Years**
- (21) Appl. No.: **29/689,748**
- (22) Filed: **May 1, 2019**

- D389,588 S * 1/1998 Dunk D25/69
- 6,640,501 B1 11/2003 Hussey
- D682,446 S * 5/2013 Young D25/69
- D704,960 S * 5/2014 McCool E04F 11/108
D6/582
- 2013/0305635 A1* 11/2013 McCool E04F 11/163
52/179
- 2014/0157712 A1 6/2014 Wells
- 2015/0322678 A1* 11/2015 Drevnig E04F 11/163
52/179
- 2016/0312484 A1 10/2016 Ruzhin

* cited by examiner

Primary Examiner — Gino Colan

(74) *Attorney, Agent, or Firm* — Ulmer & Berne LLP;
Brian E Turung

Related U.S. Application Data

- (63) Continuation of application No. 29/605,852, filed on May 31, 2017, now abandoned.
- (51) **LOC (13) Cl.** **25-04**
- (52) **U.S. Cl.**
USPC **D25/69**
- (58) **Field of Classification Search**
USPC D25/62–69, 119–125; 156/244.27,
156/244.18; 52/179; D6/582;
182/228.6, 219, 194, 93, 113
CPC B21D 39/063; E06C 7/083; E06C 7/187;
E04F 11/108; E04F 11/163; E04F 11/104
See application file for complete search history.

(57) **CLAIM**

The ornamental design for a stair tread cover, as shown and described.

DESCRIPTION

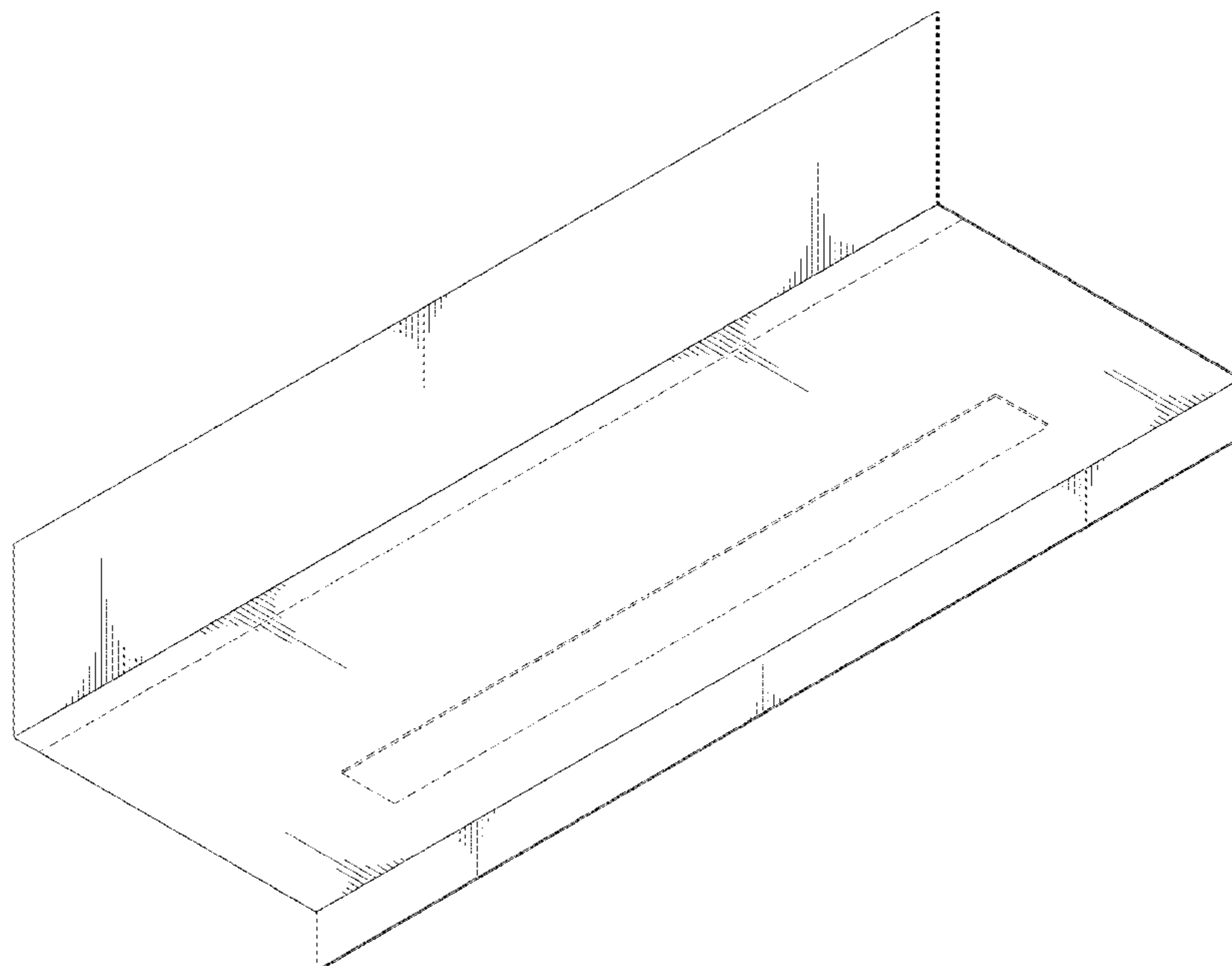
FIG. 1 is a top perspective view of a stair tread cover showing my new design;
 FIG. 2 is a front elevation view of the stair tread cover of FIG. 1;
 FIG. 3 is a side elevation view of the stair tread cover of FIG. 1;
 FIG. 4 is a top plan view of the stair tread cover of FIG. 1;
 FIG. 5 is a bottom plan view of the stair tread cover of FIG. 1; and,
 FIG. 6 is another top perspective view of the stair tread cover of FIG. 1.
 The broken lines are included for the purpose of illustrating non-claimed subject matter and form no part of the claimed design.

(56) **References Cited**

U.S. PATENT DOCUMENTS

- 2,484,947 A * 10/1949 Rudolph E04F 11/163
52/179
- 4,077,825 A * 3/1978 Naka E04F 11/163
156/244.18
- 4,093,499 A * 6/1978 Naka E04F 11/163
156/498

1 Claim, 6 Drawing Sheets



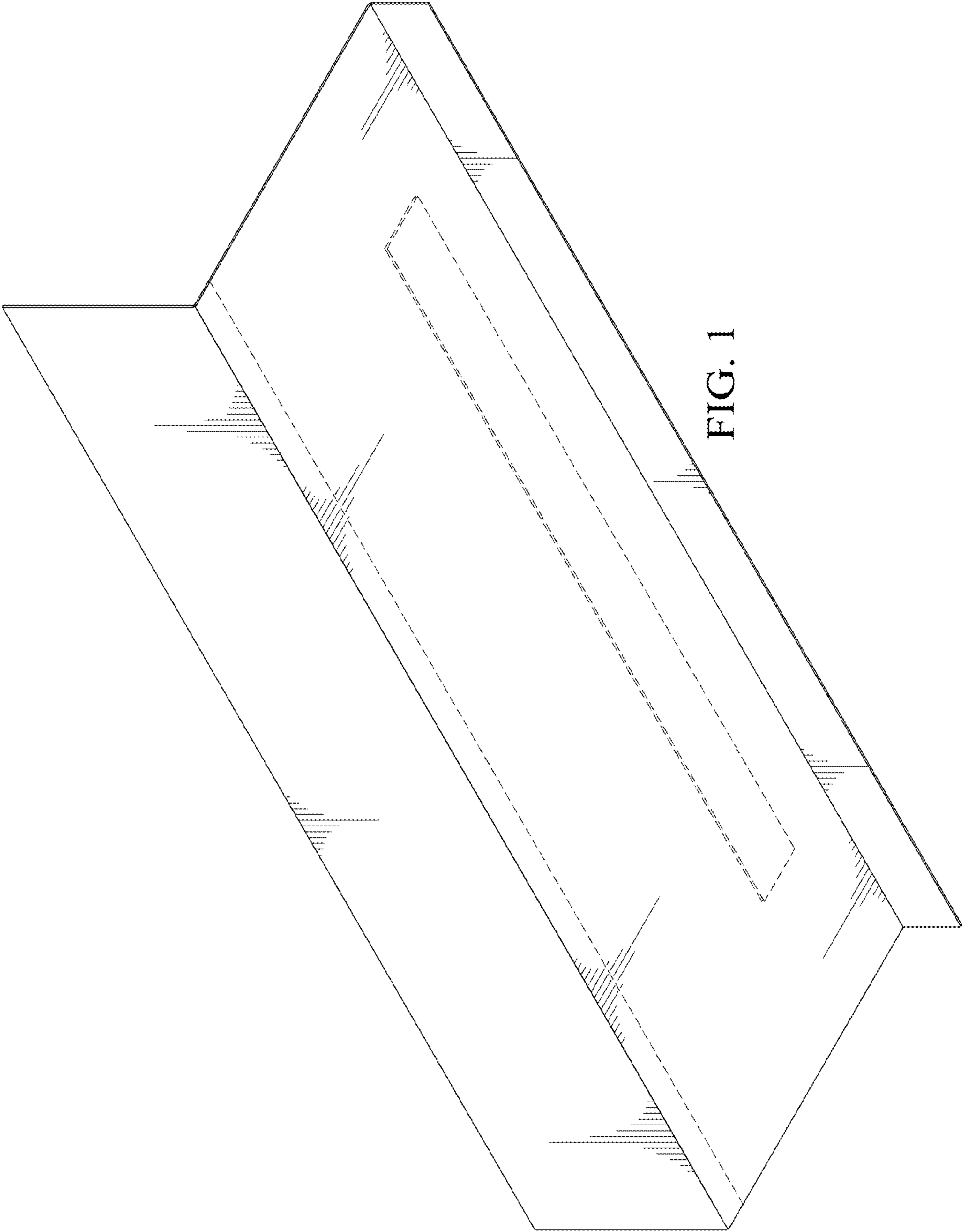


FIG. 1

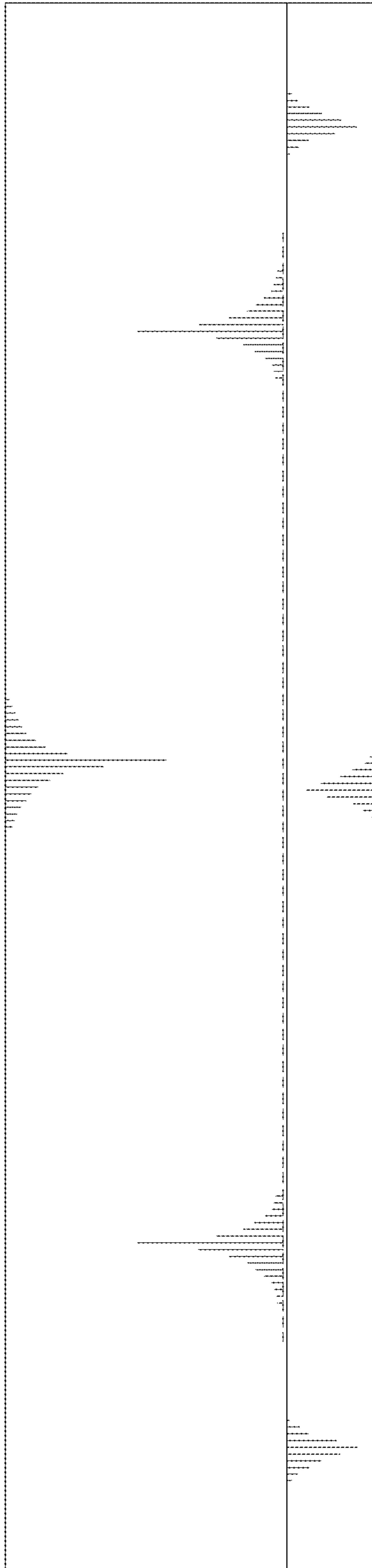


FIG. 2

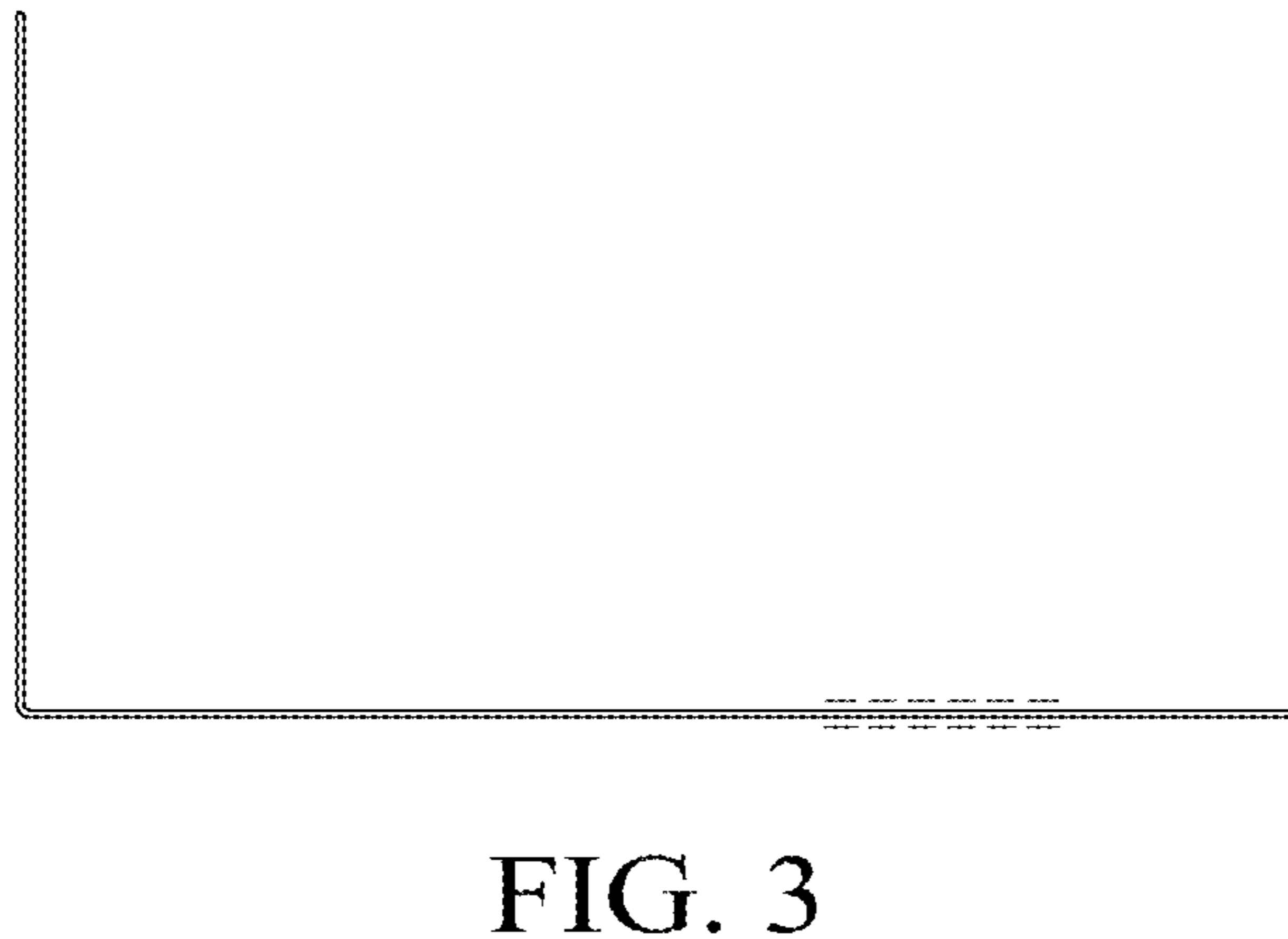


FIG. 3

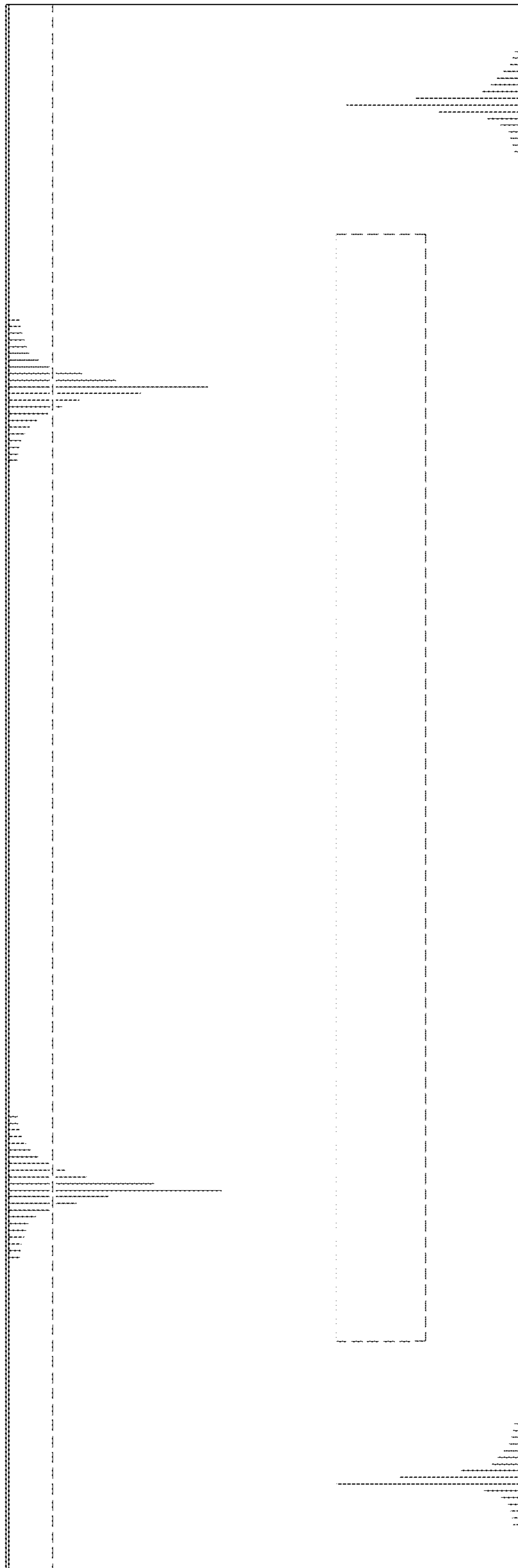


FIG. 4

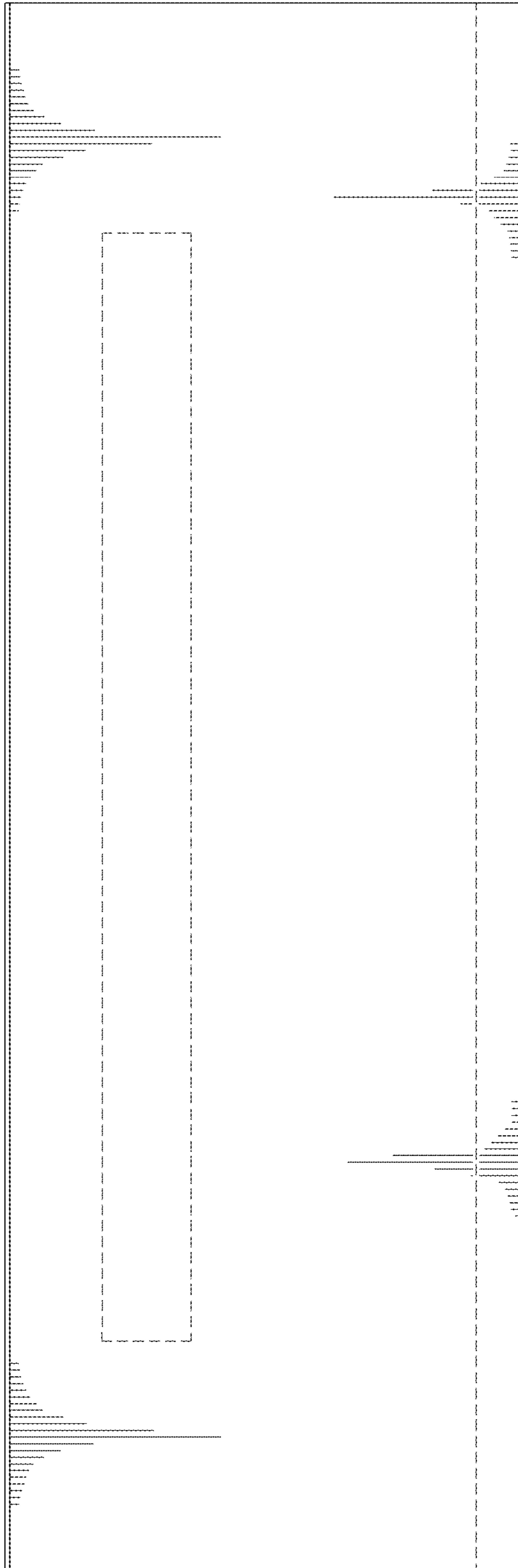


FIG. 5

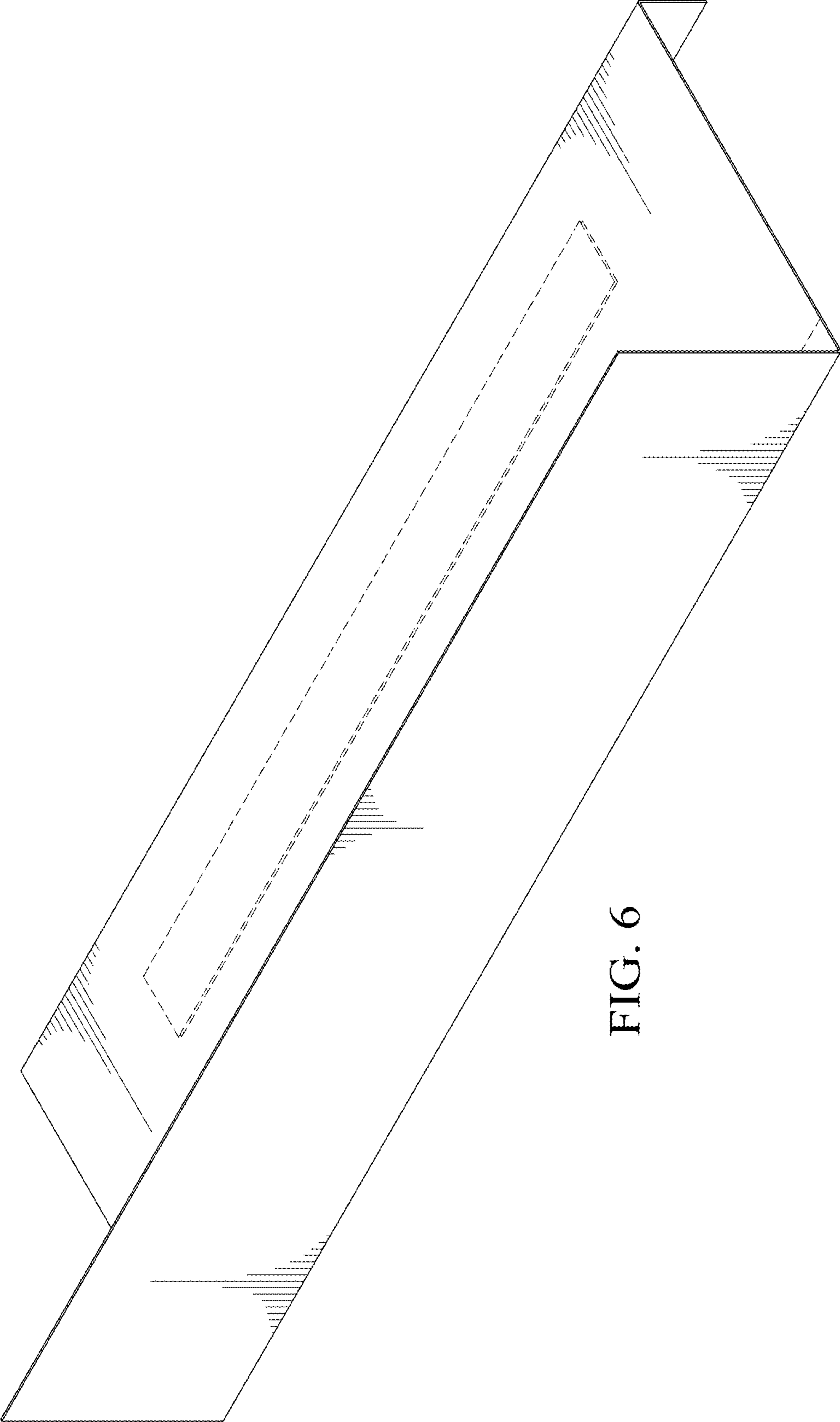


FIG. 6