



US00D952189S

(12) **United States Design Patent**  
**Martin**

(10) **Patent No.:** **US D952,189 S**  
(45) **Date of Patent:** **\*\* May 17, 2022**

- (54) **WALL**
- (71) Applicant: **Anthony Joseph Martin**, Lorton, VA  
(US)
- (72) Inventor: **Anthony Joseph Martin**, Lorton, VA  
(US)
- (73) Assignee: **Anthony Joseph Martin**, Lorton, VA  
(US)
- (\*\*) Term: **15 Years**
- (21) Appl. No.: **29/742,165**
- (22) Filed: **Mar. 6, 2020**
- (51) **LOC (13) Cl.** ..... **25-02**
- (52) **U.S. Cl.**  
USPC ..... **D25/58**
- (58) **Field of Classification Search**  
USPC .... D6/329, 332; D25/55, 58, 138, 149, 151,  
D25/157-163  
CPC ..... E04F 13/00; E04F 13/07; E04F 13/075;  
E04F 13/08; E04F 13/0801; E04F 13/147;  
E04B 2/00; E04B 2/72  
See application file for complete search history.

(56) **References Cited**

**U.S. PATENT DOCUMENTS**

- D20,825 S \* 6/1891 Sagendorph ..... D5/20
- 959,360 A \* 5/1910 Lapersonnerie ..... E04B 2/42  
52/375
- 1,719,749 A \* 7/1929 Berman ..... E04B 2/42  
52/440
- 1,841,757 A \* 1/1932 Munroe ..... E04F 13/04  
52/344
- 1,926,093 A \* 9/1933 Gibney ..... E04F 13/147  
52/385
- 2,013,317 A \* 9/1935 Roberts ..... E04F 13/147  
52/276

- 2,027,883 A \* 1/1936 Ross ..... E04F 13/0825  
52/481.1
- 2,033,831 A \* 3/1936 Jensen ..... E04B 2/42  
52/570
- 2,131,477 A \* 9/1938 Kirschbraun ..... E04F 13/147  
52/384

(Continued)

**FOREIGN PATENT DOCUMENTS**

JP D1530962 \* 7/2018

*Primary Examiner* — Leanne Was-Englehart

(57) **CLAIM**

I claim the ornamental design for a wall, as shown and described.

**DESCRIPTION**

FIG. 1 is an isometric view of a wall showing my new design;  
 FIG. 2 is a cross-sectional view taken on line 2-2 on FIG. 7;  
 FIG. 3 is a cross-sectional view taken on line 3-3 on FIG. 7;  
 FIG. 4 is an isometric view of one of the wall supports seen on FIG. 1;  
 FIG. 5 is a cross-sectional view taken along 5-5;  
 FIG. 6 depicts an enlarged view taken from FIG. 3; and,  
 FIG. 7 is another isometric view showing the wall supports in alternate positions.

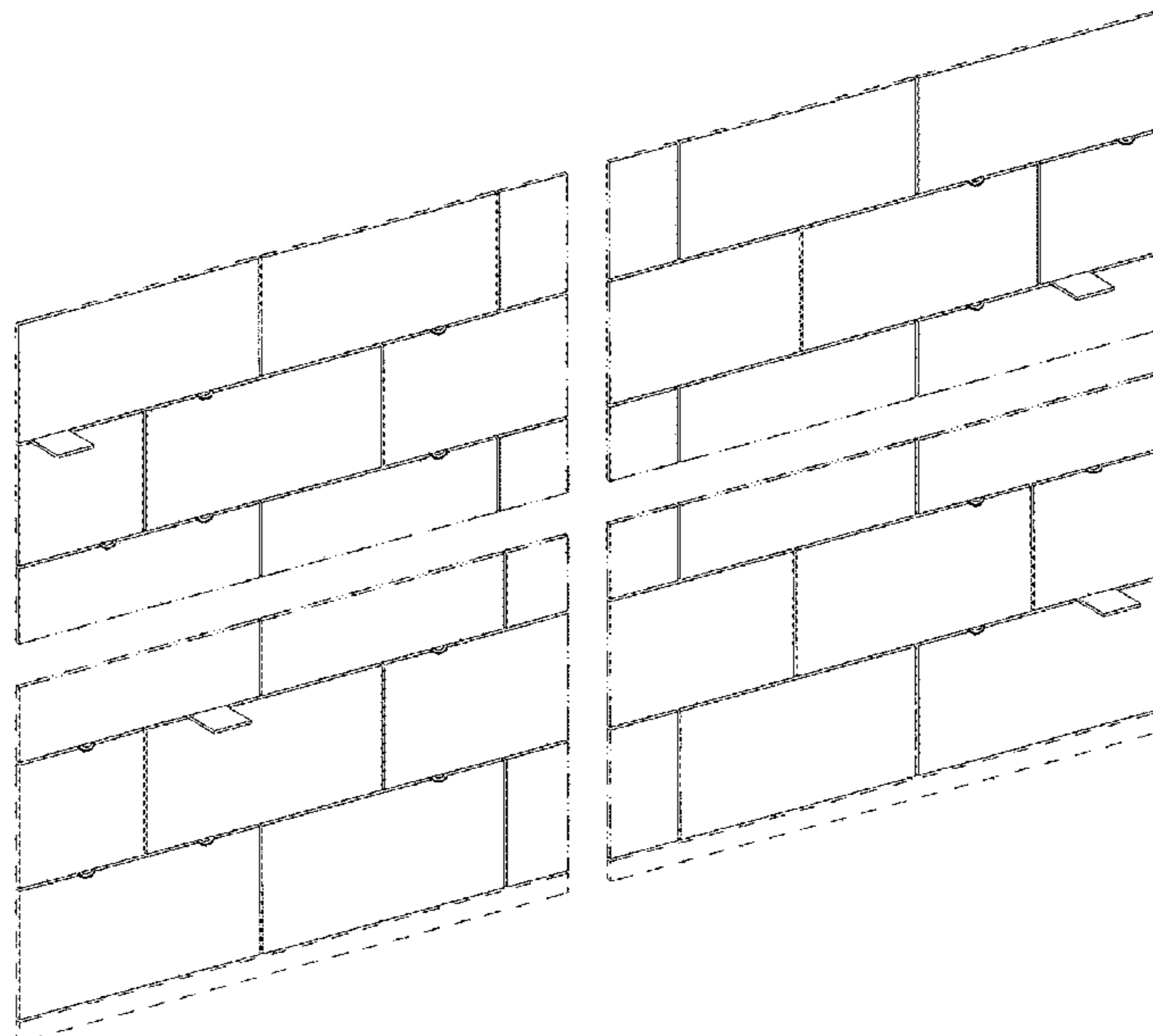
The dot-dot-dash broken line on the wall on FIGS. 1, 2 and 7 depict a symbolic break in the wall's width and height. The appearance of any portion of the article between the break lines forms no part of the claimed design.

The broken line circle on FIGS. 3 and 6 depicts the limits of the enlarged views.

The dot-dash broken lines on FIGS. 1 and 4 depict cross-sectional lines.

The evenly spaced broken lines represent non-claimed subject matter and form no part of the claimed design.

**1 Claim, 5 Drawing Sheets**



(56)

**References Cited**

## U.S. PATENT DOCUMENTS

2,224,351 A \* 12/1940 Kaye ..... E04F 13/147  
52/314  
2,238,787 A \* 4/1941 Aberson ..... E04F 13/147  
52/314  
2,855,037 A \* 10/1958 Stiffel ..... E04B 2/7438  
160/135  
2,899,821 A \* 8/1959 Nycander ..... E04B 1/7069  
52/302.3  
D191,502 S \* 10/1961 Rutkin ..... D25/58  
3,772,840 A \* 11/1973 Hala ..... E04B 1/7616  
52/302.3  
D354,358 S \* 1/1995 Wells ..... D25/138  
5,377,467 A \* 1/1995 Barnavol ..... E04B 2/825  
52/238.1  
D372,545 S \* 8/1996 Schultz ..... D25/138  
D749,752 S \* 2/2016 MacDonald ..... D25/160  
D787,095 S \* 5/2017 Barnard ..... D25/138  
D806,910 S \* 1/2018 Huang ..... D25/157  
D808,545 S \* 1/2018 Huang ..... D25/157  
D809,164 S \* 1/2018 Huang ..... D25/157  
D818,612 S \* 5/2018 Elmaagacli ..... D25/151  
D818,613 S \* 5/2018 Elmaagacli ..... D25/151  
D818,614 S \* 5/2018 Elmaagacli ..... D25/151  
D932,655 S \* 10/2021 Peffer ..... D25/58  
2013/0045343 A1 \* 2/2013 Gumbert ..... E04F 13/0875  
428/33  
2018/0179766 A1 \* 6/2018 Tisdall ..... E04B 2/72

\* cited by examiner

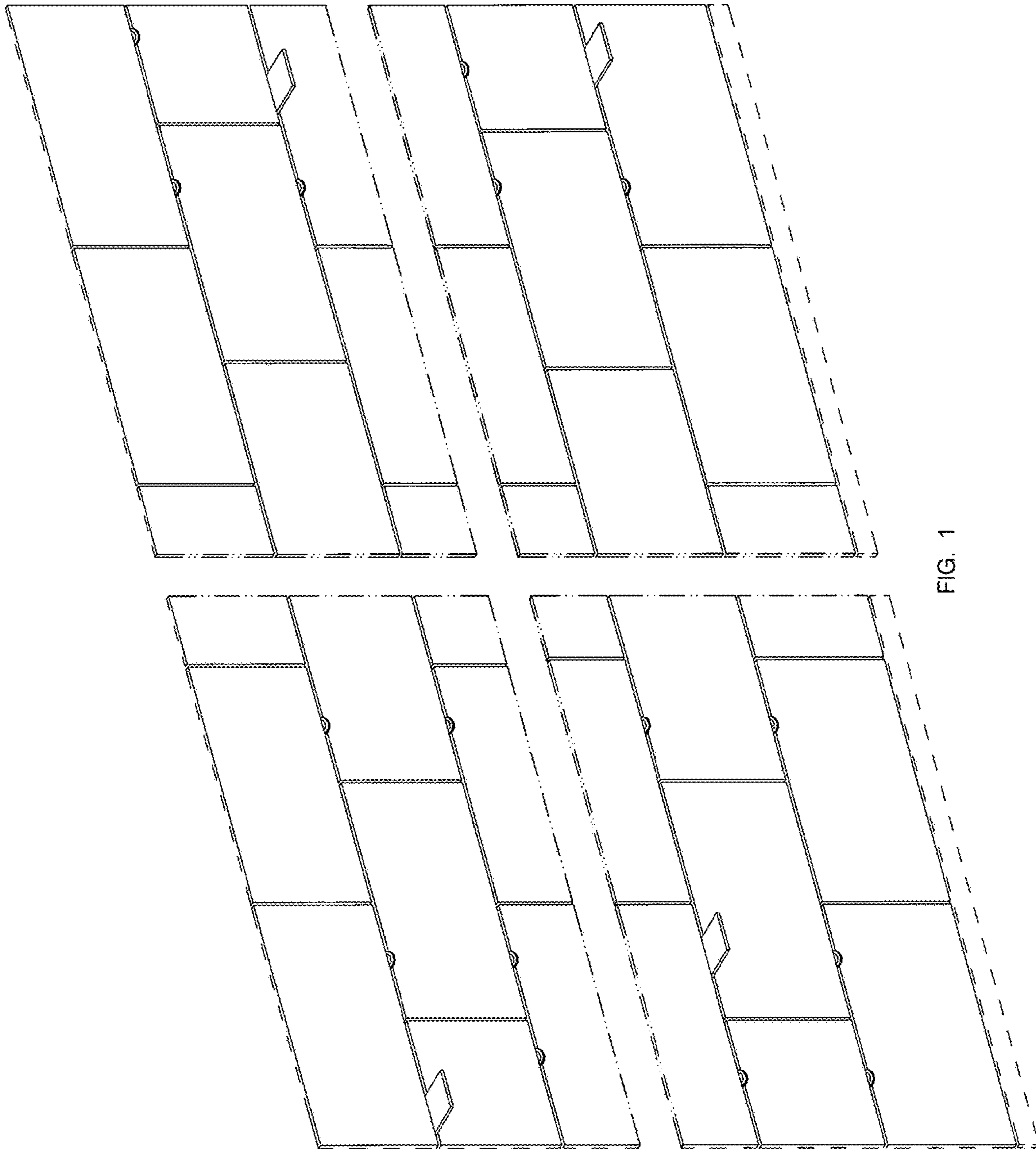


FIG. 1

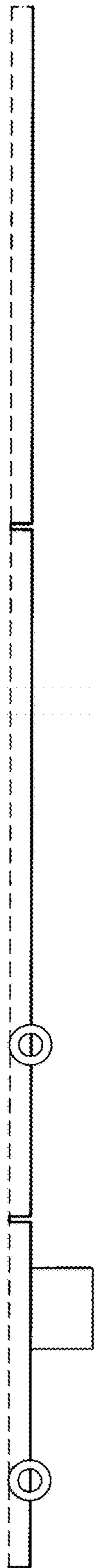


FIG. 2

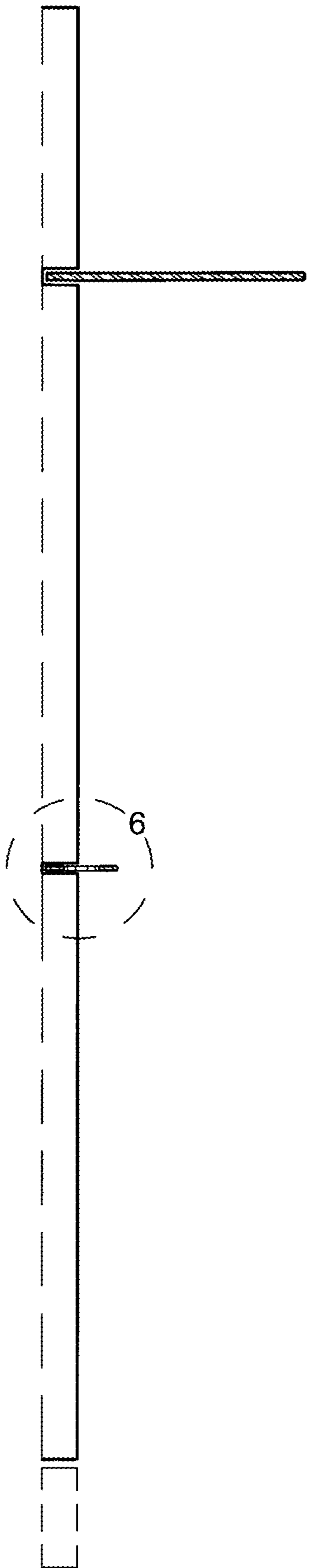


FIG. 3

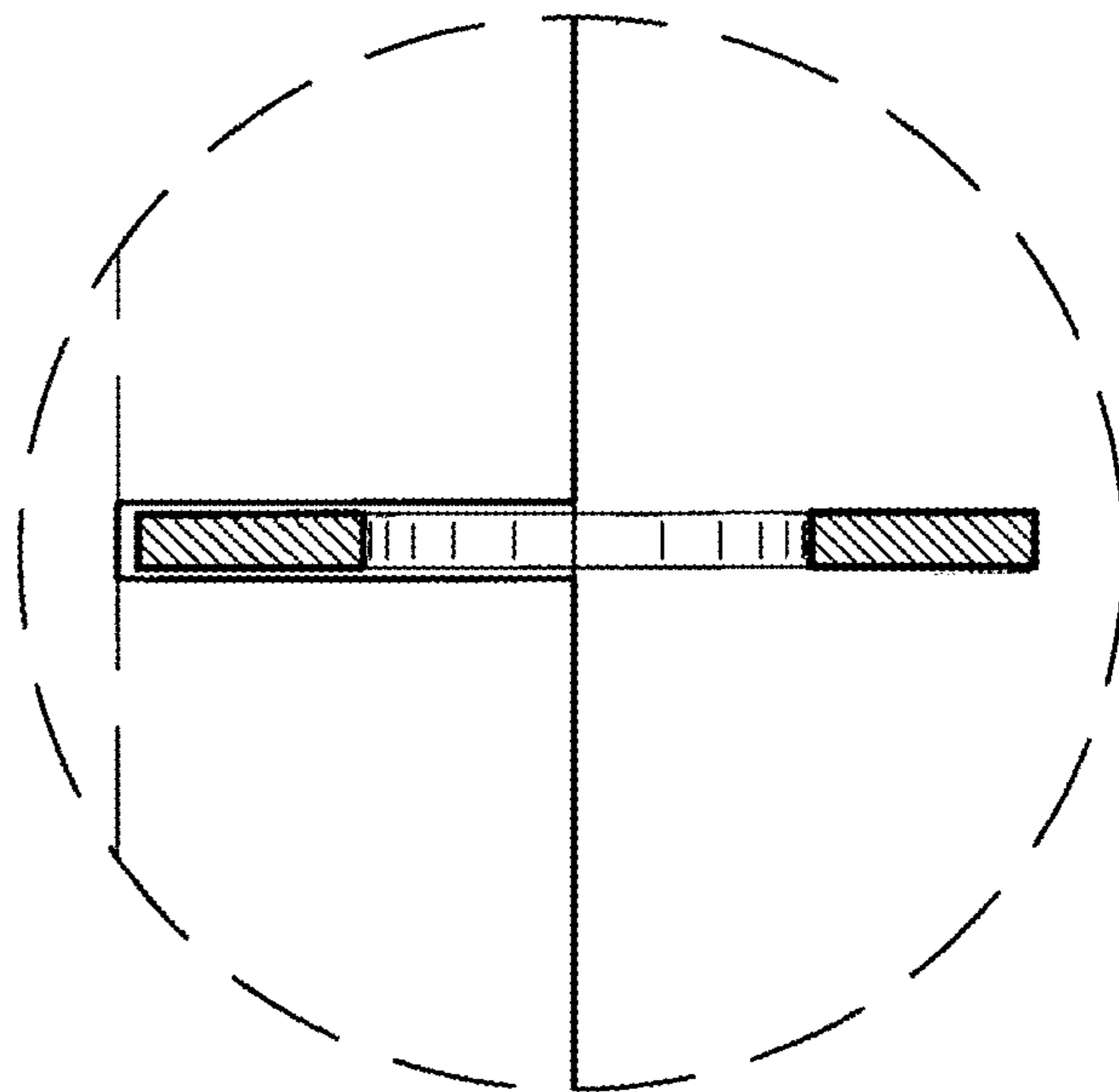


FIG. 6

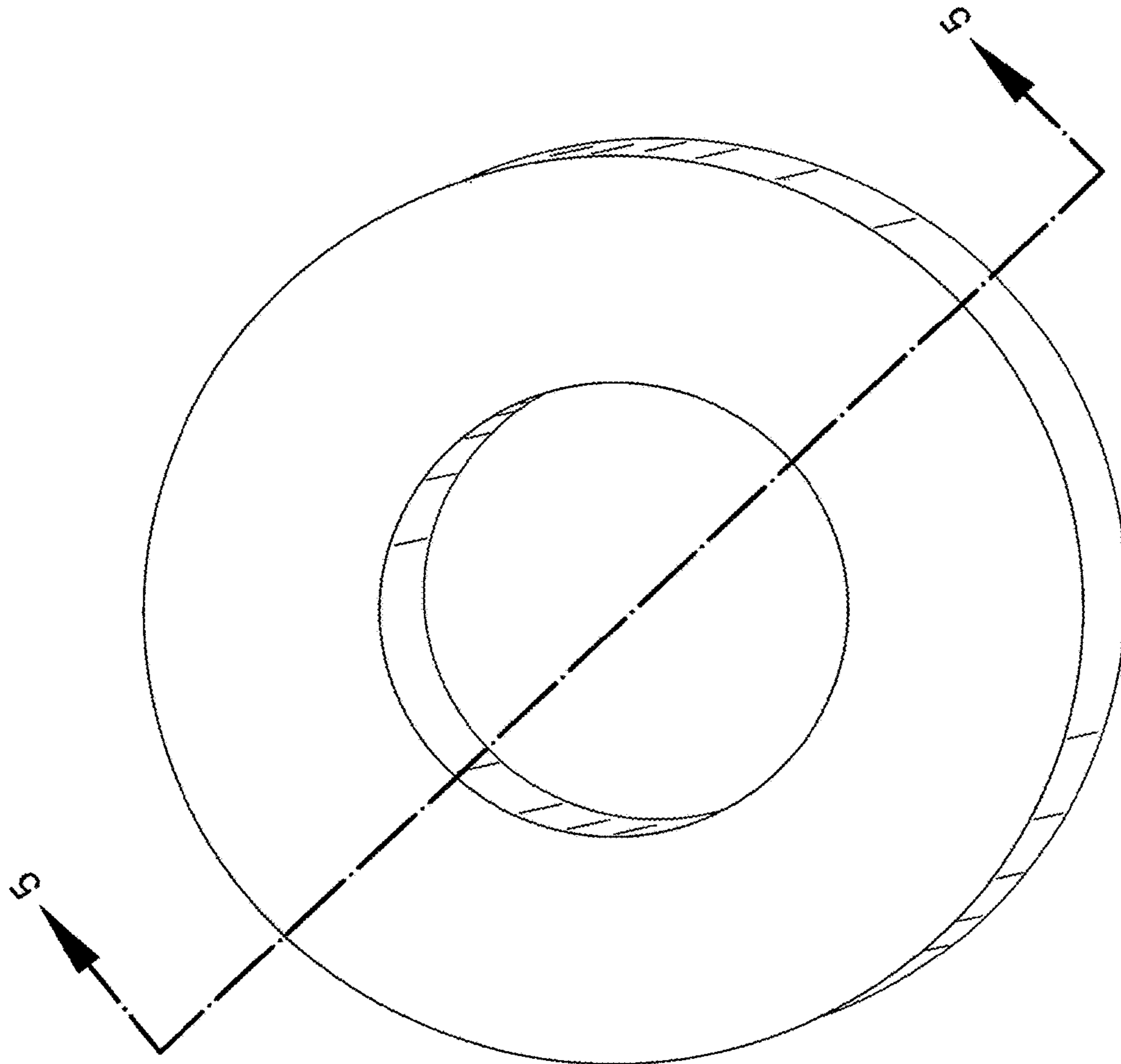


FIG. 4



FIG. 5

