



US00D952188S

(12) **United States Design Patent**
Jung et al.

(10) **Patent No.:** **US D952,188 S**
(45) **Date of Patent:** **** May 17, 2022**

(54) **INDOOR WALL WITH BUILT-IN HOME APPLIANCES**

(71) Applicant: **LG ELECTRONICS INC.**, Seoul (KR)

(72) Inventors: **Kisang Jung**, Seoul (KR); **Yunjoo Kim**, Seoul (KR); **Hwasuk Shim**, Seoul (KR); **Jaemyo Shim**, Seoul (KR)

(73) Assignee: **LG ELECTRONICS INC.**, Seoul (KR)

(**) Term: **15 Years**

(21) Appl. No.: **29/738,426**

(22) Filed: **Jun. 17, 2020**

(30) **Foreign Application Priority Data**

Dec. 31, 2019 (KR) 30-2019-0064046

(51) **LOC (13) Cl.** **25-02**

(52) **U.S. Cl.**
USPC **D25/58**; D14/217

(58) **Field of Classification Search**
USPC D6/329, 332, 553, 559, 672, 673, 675;
D13/162, 164, 171, 177, 199; D14/128,
D14/129, 217, 366, 371, 374, 389,
D14/432-434; D25/58, 138, 199
CPC H04N 5/64; A47B 81/06; A47B 96/04;
E04B 2/00; E04B 2/72; E04B 2/74;
H05K 7/18; H05K 7/186
See application file for complete search history.

(56) **References Cited**

U.S. PATENT DOCUMENTS

D191,502 S * 10/1961 Rutkin D25/58
4,556,283 A * 12/1985 Numata G03B 21/58
359/443
D330,646 S * 11/1992 Maas D25/58
D497,147 S * 10/2004 Izu D14/128

D661,124 S * 6/2012 Curbbun D6/675
8,375,648 B1 * 2/2013 O'Sullivan G09F 15/0006
52/71
D922,356 S * 6/2021 Lee D14/217
D931,663 S * 9/2021 Tio D6/675
D934,579 S * 11/2021 Hurlemann D6/332
D938,389 S * 12/2021 Park D14/217

(Continued)

FOREIGN PATENT DOCUMENTS

KR 301002412.0000 * 4/2020

Primary Examiner — Leanne Was-Englehart

(74) *Attorney, Agent, or Firm* — Birch, Stewart, Kolasch & Birch, LLP

(57) **CLAIM**

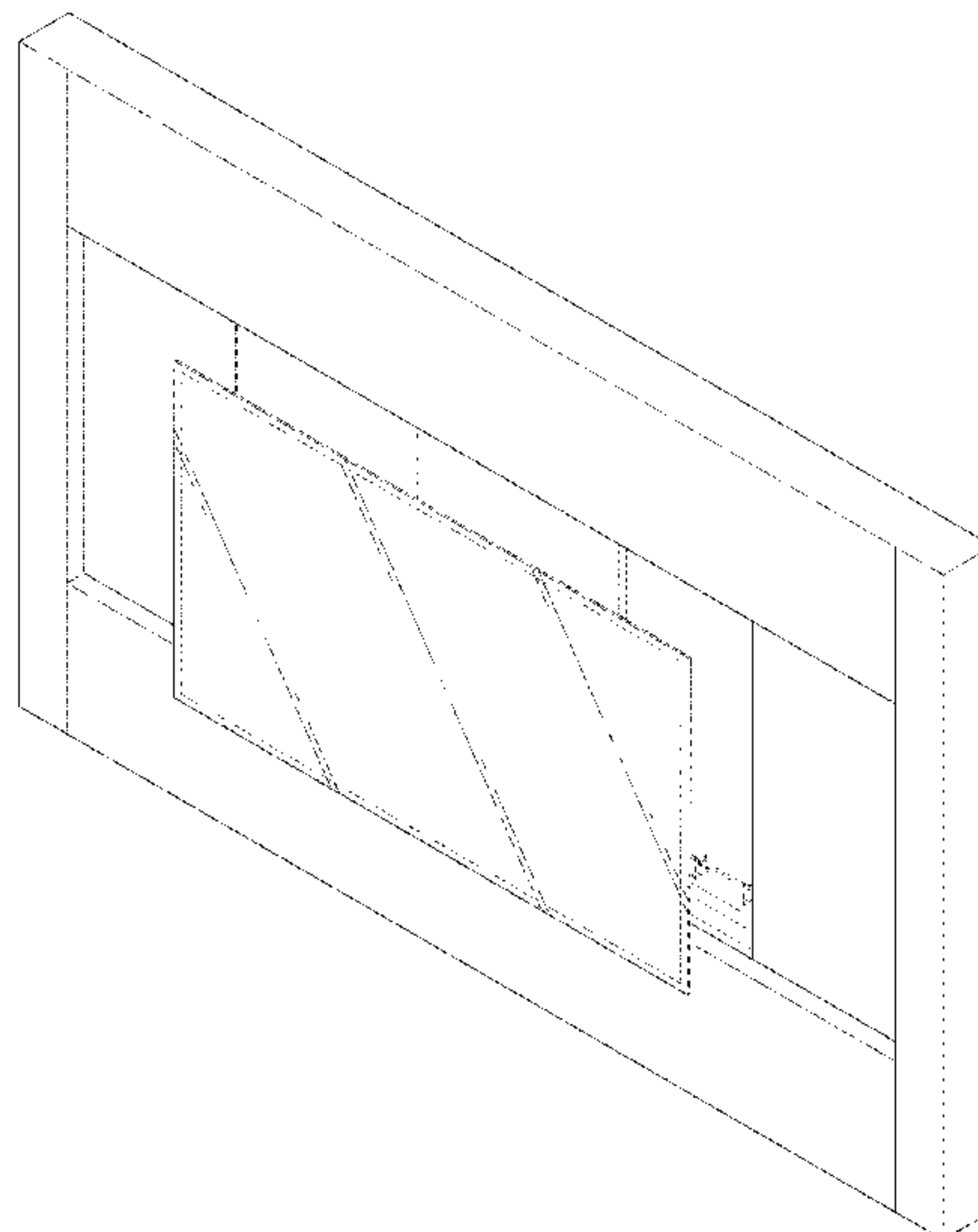
The ornamental design for an indoor wall with built-in home appliances, as shown and described.

DESCRIPTION

FIG. 1 is a front perspective view of the indoor wall with built-in home appliances showing our new design;
FIG. 2 is a front view thereof;
FIG. 3 is a rear view thereof;
FIG. 4 is a left side view thereof where the right side view is a mirror image;
FIG. 5 is a top plan view thereof;
FIG. 6 is a bottom plan view thereof;
FIG. 7 is a front perspective view in a condition that the TV at the front center part has been moved upward;
FIG. 8 is a front view of FIG. 7;
FIG. 9 is a rear view of FIG. 7;
FIG. 10 is a left side view of FIG. 7 where the right side view is a mirror image;
FIG. 11 is a top plan view FIG. 7; and,
FIG. 12 is a bottom plan view FIG. 7.

The broken lines depict portions of the indoor wall with built-in home appliances that form no part of the claimed design.

1 Claim, 12 Drawing Sheets



(56)

References Cited

U.S. PATENT DOCUMENTS

D938,390 S	*	12/2021	Park	D14/217
D938,391 S	*	12/2021	Park	D14/217
D938,392 S	*	12/2021	Park	D14/217
D938,393 S	*	12/2021	Park	D14/217
D938,394 S	*	12/2021	Park	D14/217
D938,395 S	*	12/2021	Park	D14/217
D938,396 S	*	12/2021	Kim	D14/217

* cited by examiner

FIG. 1

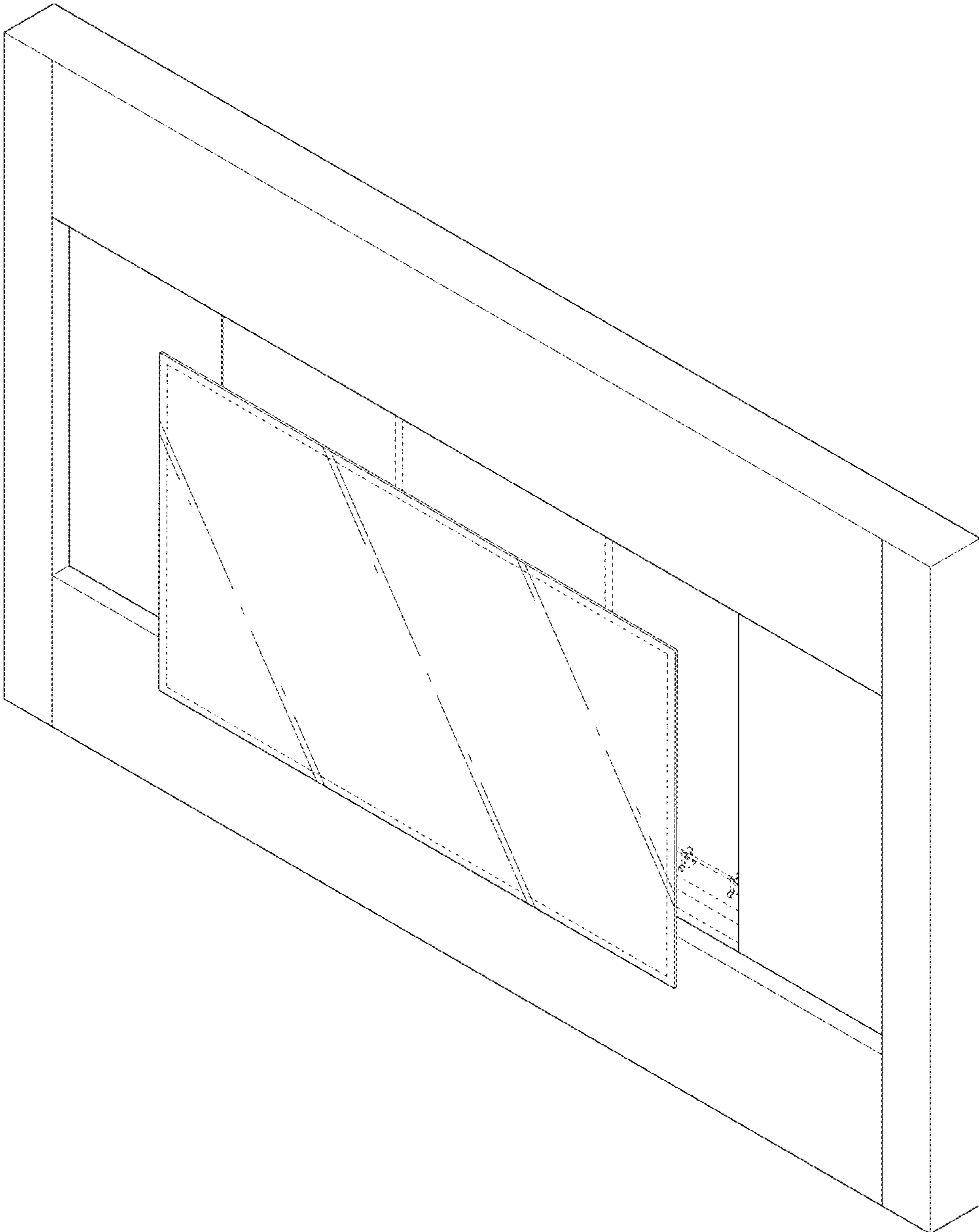


FIG. 2

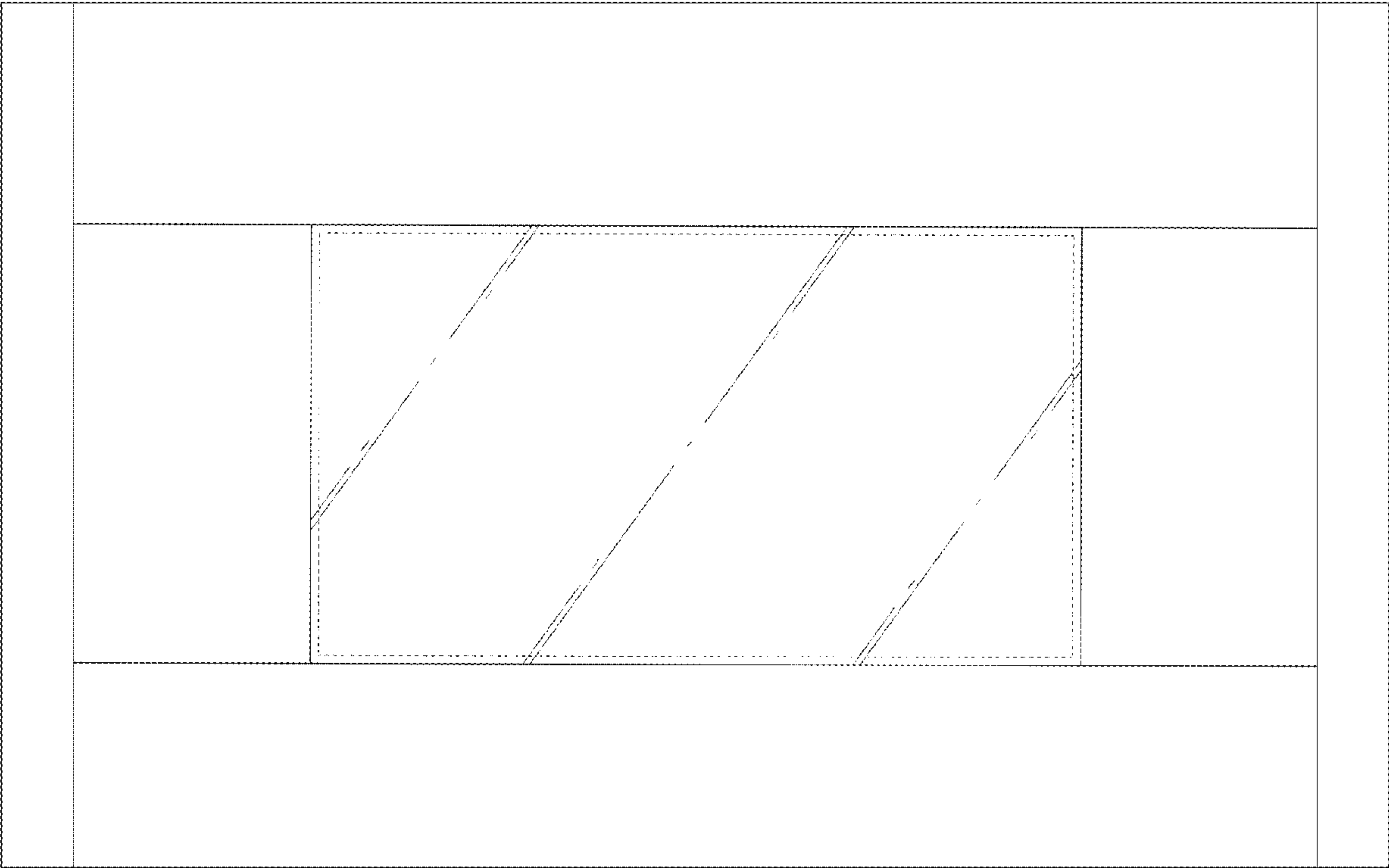


FIG. 3

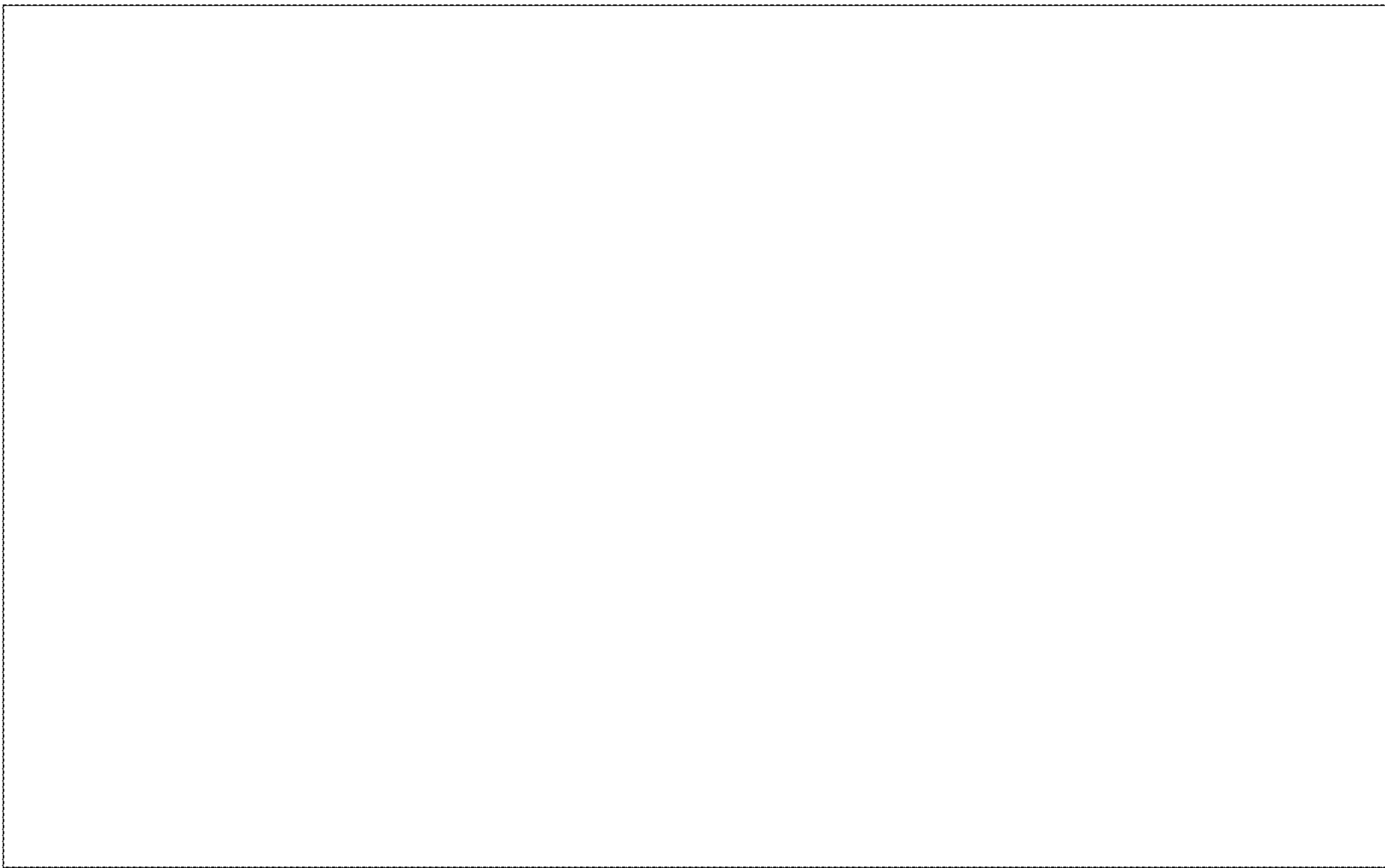


FIG. 4

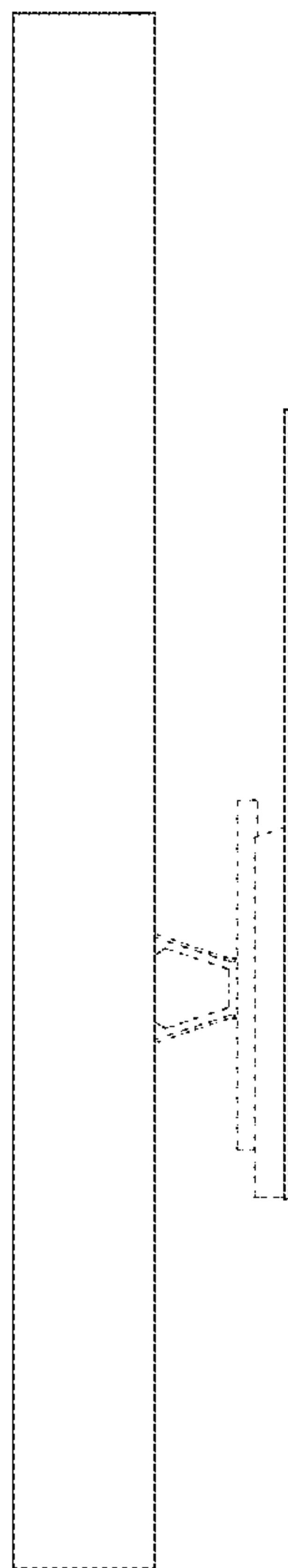


FIG. 5

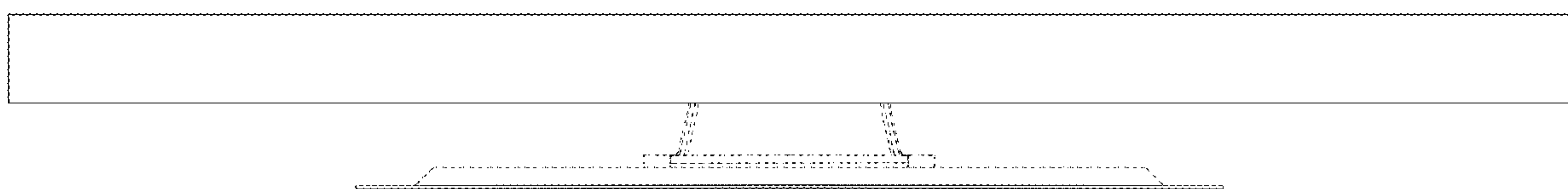


FIG. 6

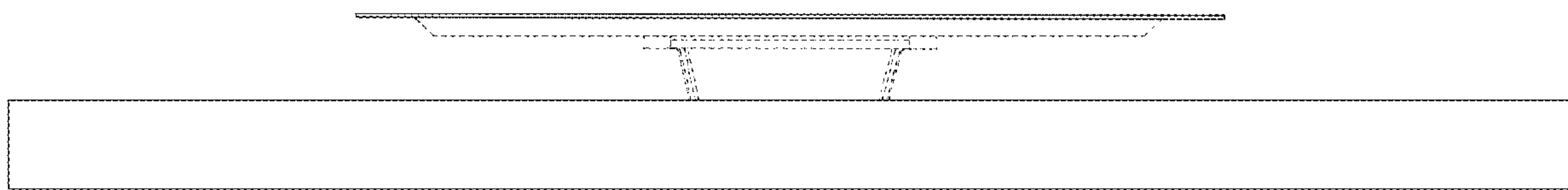


FIG. 7

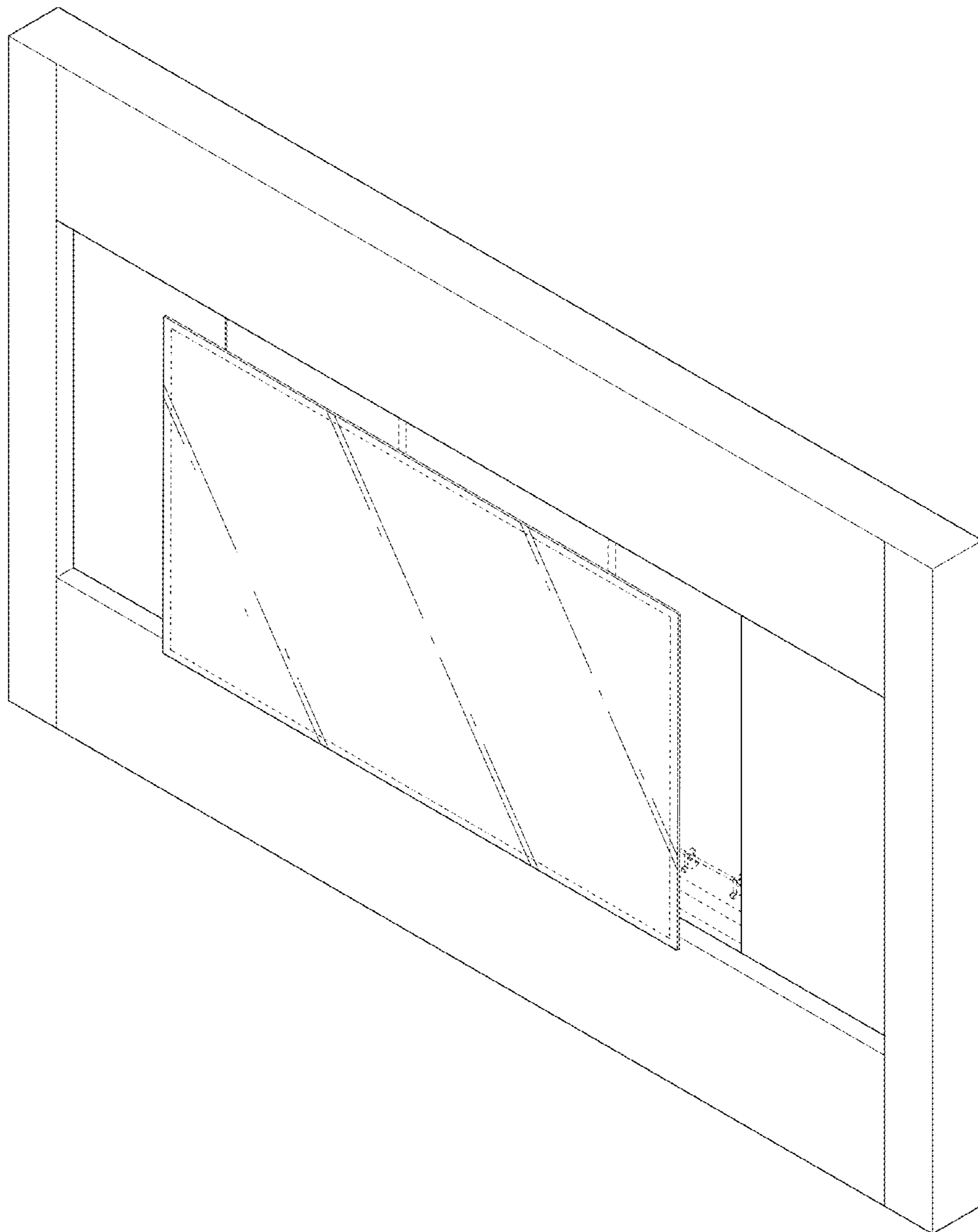


FIG. 8

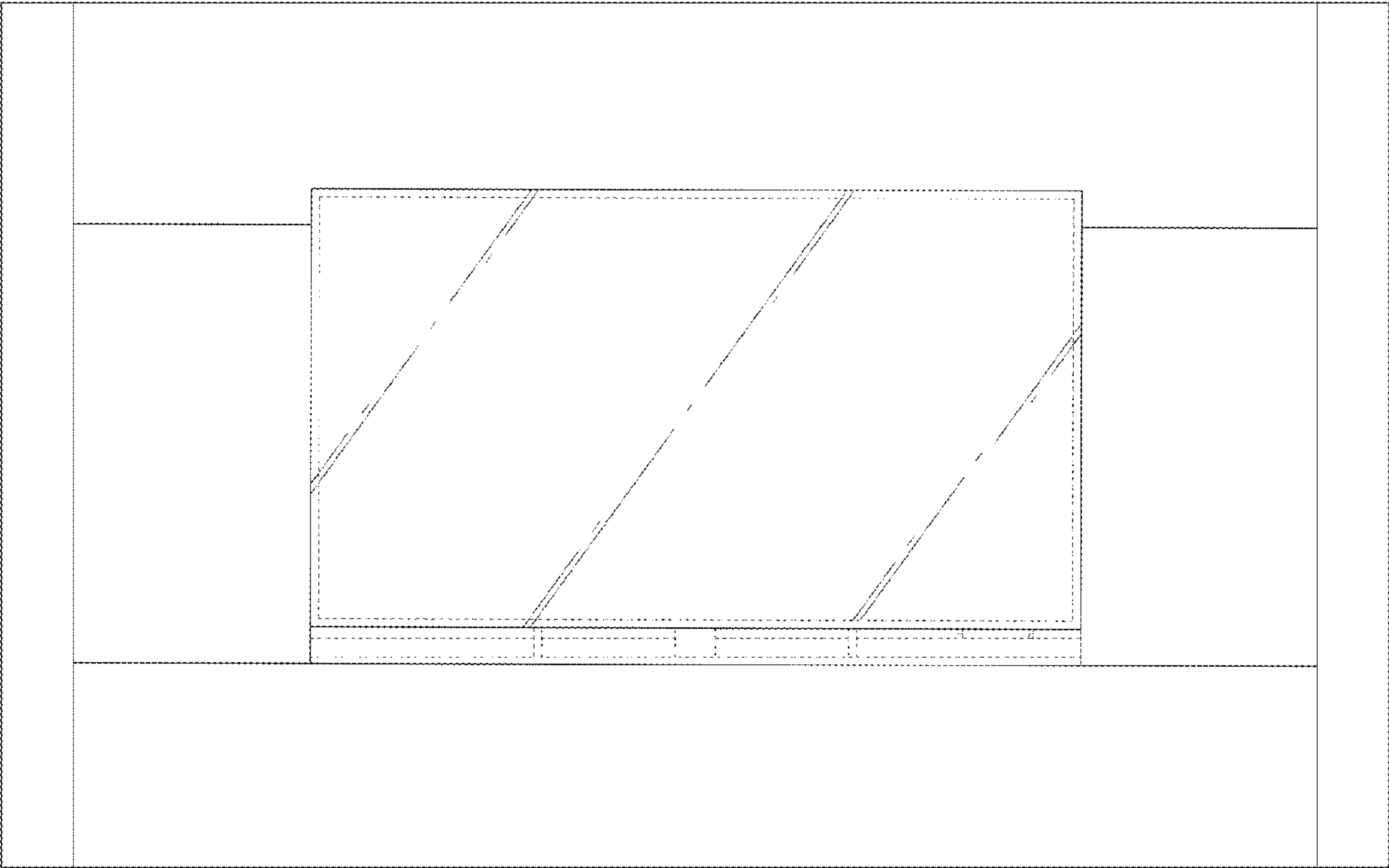


FIG. 9

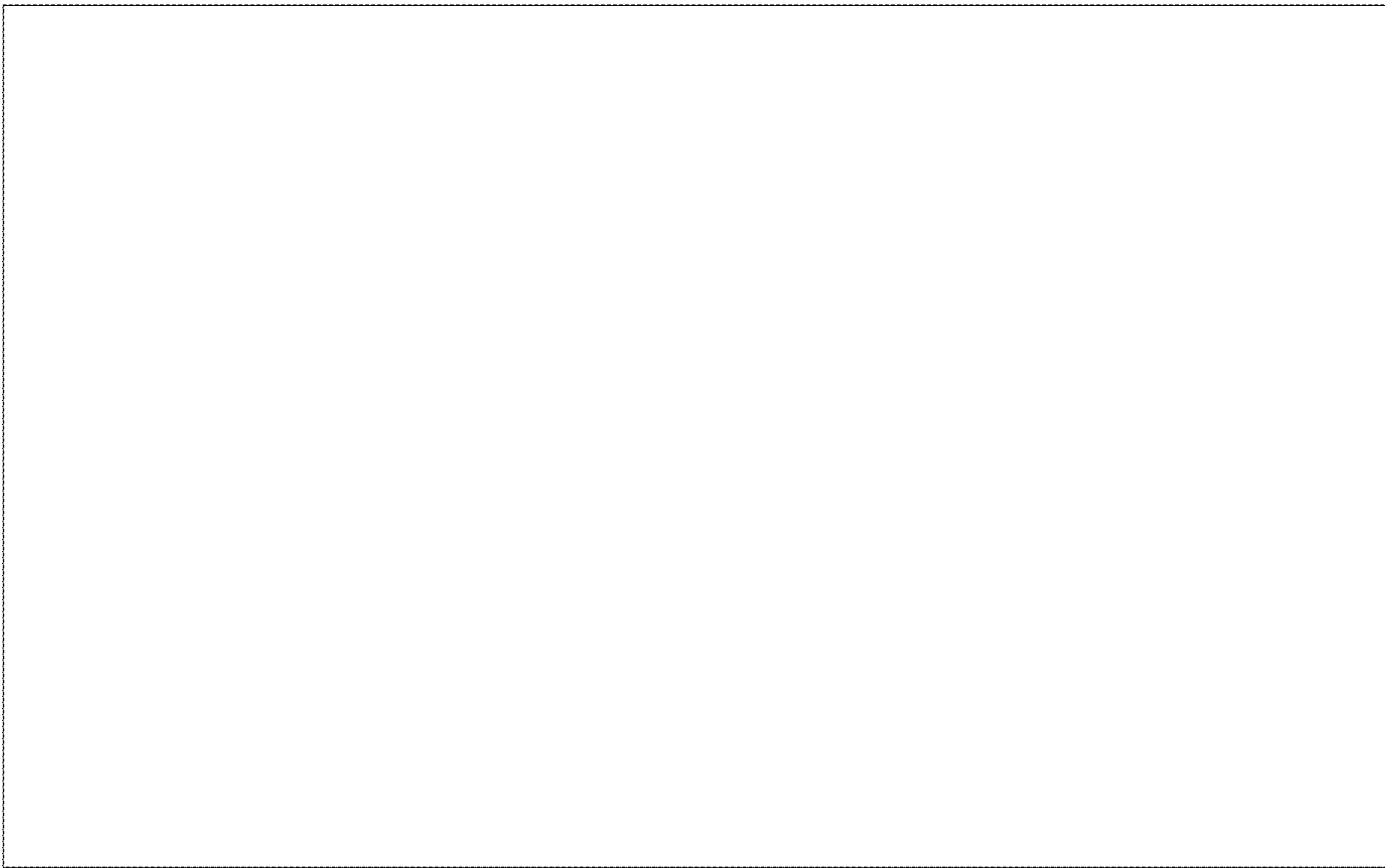


FIG. 10

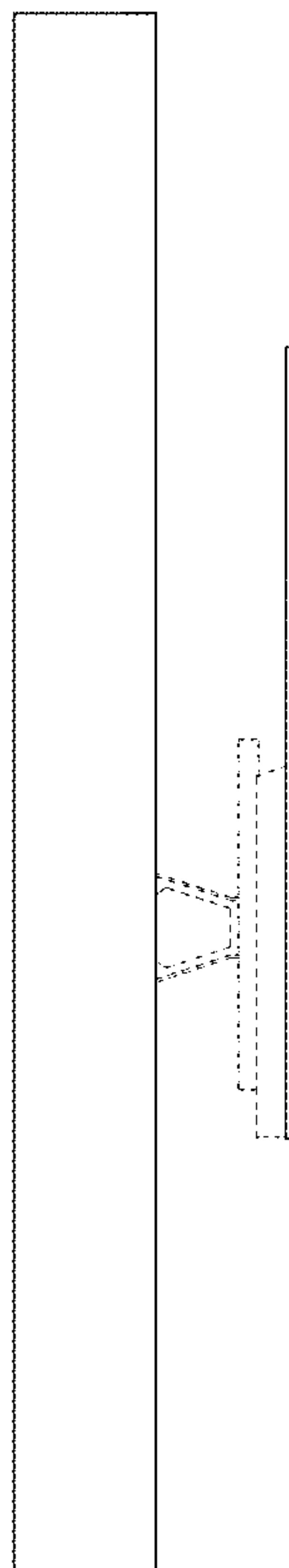


FIG. 11

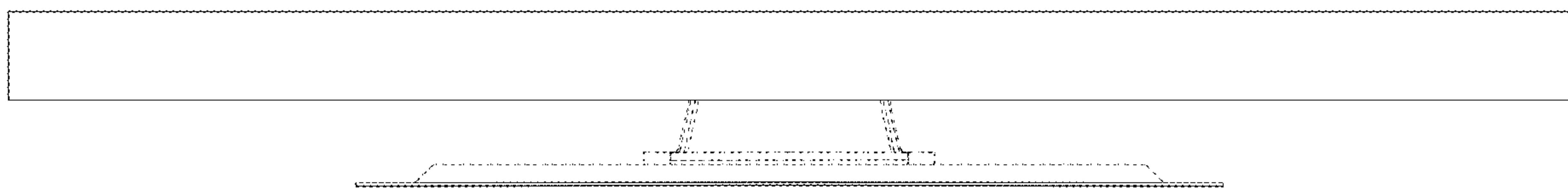


FIG. 12

