



US00D952184S

(12) **United States Design Patent** (10) **Patent No.:** **US D952,184 S**  
**Yan** (45) **Date of Patent:** **\*\* May 17, 2022**

(54) **SLEEP INSTRUMENT**

(71) Applicant: **Jianhui Yan**, Pingxiang (CN)

(72) Inventor: **Jianhui Yan**, Pingxiang (CN)

(\*\*) Term: **15 Years**

(21) Appl. No.: **29/778,141**

(22) Filed: **Apr. 12, 2021**

(51) **LOC (13) Cl.** ..... **24-99**

(52) **U.S. Cl.**  
USPC ..... **D24/231**

(58) **Field of Classification Search**  
USPC ..... D24/231, 186, 187, 167; D14/125, 240,  
D14/371, 216, 358; D3/211; D13/110  
CPC ..... H04R 1/225; A63H 5/00  
See application file for complete search history.

(56) **References Cited**

U.S. PATENT DOCUMENTS

2,289,314	A *	7/1942	Davis	.....	A63H 5/00
					446/419
2,549,392	A *	4/1951	Sheridan	.....	A63H 5/00
					446/267
2,754,365	A *	7/1956	Walters	.....	H04R 1/225
					381/322
D605,305	S	12/2009	Carter		
D703,945	S *	5/2014	Reynolds	.....	D3/211
D718,868	S *	12/2014	Schroderus	.....	D24/167
D757,946	S *	5/2016	Kikuchi	.....	D24/186
D765,260	S	8/2016	Sparr		
D774,197	S	12/2016	Shook et al.		
D854,168	S *	7/2019	He	.....	D24/187
D885,368	S *	5/2020	Yanjie	.....	D14/216
D898,024	S *	10/2020	Lai	.....	D14/371
D904,981	S *	12/2020	Worthy	.....	D13/110
D914,662	S *	3/2021	Unter Ecker	.....	D14/240
D929,990	S *	9/2021	Maruyama	.....	D14/358
D940,672	S *	1/2022	Unter Ecker	.....	D14/125

OTHER PUBLICATIONS

“Sleep Aid Hand-held . . .” reference dated Jan. 15, 2022 found on the internet by RMS at: <https://www.joom.com/en/products/605c515f01c85b017f3a43f8>.\*

“Fourair White Noise . . .” reference dated Jan. 15, 2022 found on the internet by RMS at: [https://www.amazon.com/Fourair-Soothing-Portable-Function-Sleeping/dp/B094DB5K6P/ref=sr\\_1\\_53?keywords=white+noise+machine&qid=1642278137&sprefix=white+nois%2Caps%2C79&sr=8-53](https://www.amazon.com/Fourair-Soothing-Portable-Function-Sleeping/dp/B094DB5K6P/ref=sr_1_53?keywords=white+noise+machine&qid=1642278137&sprefix=white+nois%2Caps%2C79&sr=8-53).\*

“Portable Sound . . .” reference dated Jan. 15, 2022 found on the internet by RMS at: [https://www.amazon.com/Portable-Machine-Soothe-Nature-Lullabies/dp/B075TJ6W6X/ref=sr\\_1\\_11?keywords=white+noise+machine&qid=1642278137&sprefix=white+nois%2Caps%2C79&sr=8-11](https://www.amazon.com/Portable-Machine-Soothe-Nature-Lullabies/dp/B075TJ6W6X/ref=sr_1_11?keywords=white+noise+machine&qid=1642278137&sprefix=white+nois%2Caps%2C79&sr=8-11).\*

\* cited by examiner

*Primary Examiner* — Rhea Shields

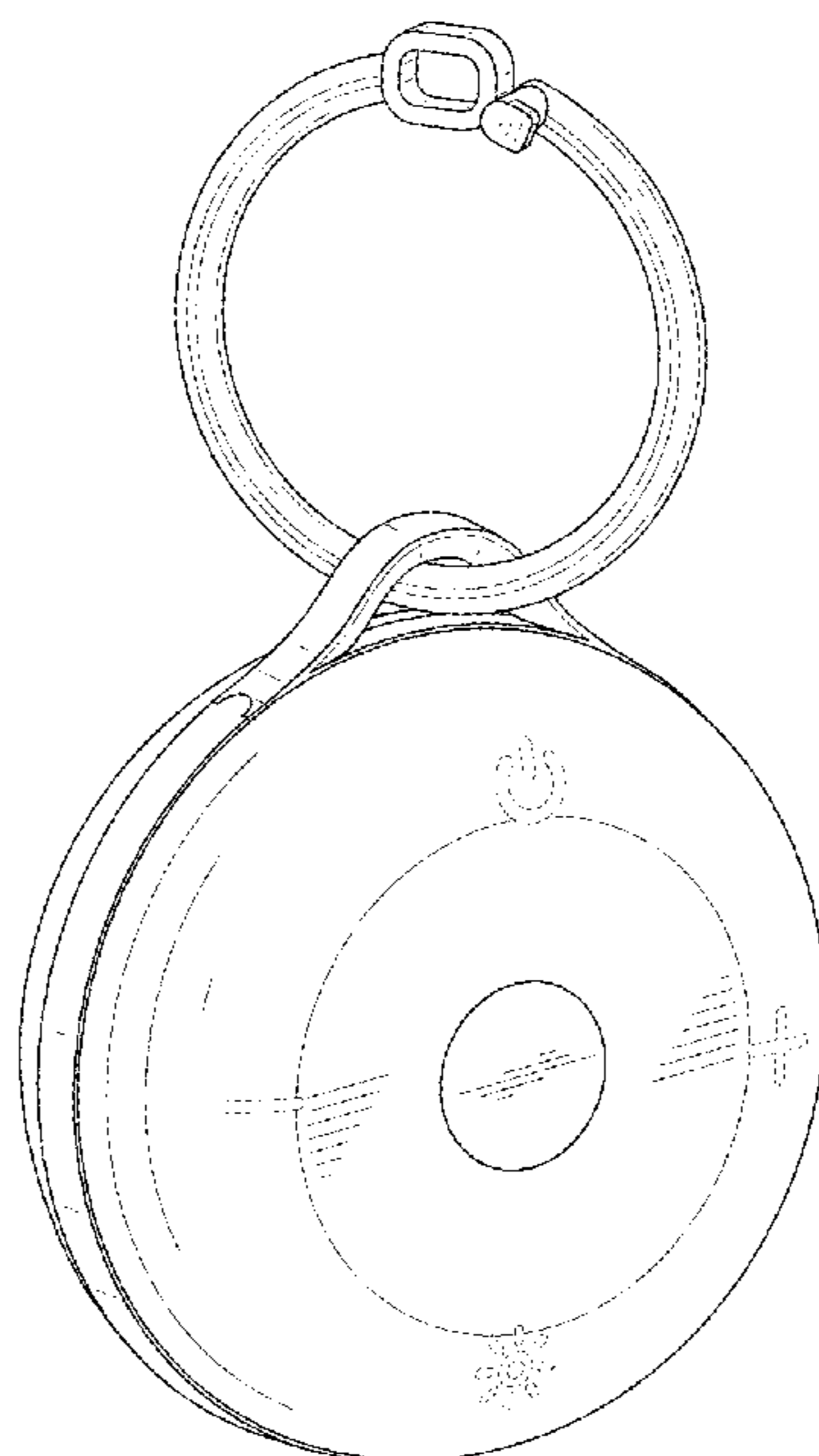
(57) **CLAIM**

The ornamental design for a sleep instrument, as shown and described.

**DESCRIPTION**

FIG. 1 is a first perspective view of a sleep instrument showing my new design;  
FIG. 2 is a second perspective view thereof;  
FIG. 3 is a front view thereof;  
FIG. 4 is a back view thereof;  
FIG. 5 is a left side view thereof;  
FIG. 6 is a right side view thereof;  
FIG. 7 is a top view thereof; and,  
FIG. 8 is a bottom view thereof.  
The broken lines shown in the drawings depict portions of the sleep instrument in which the design is embodied that form no part of the claimed design.

**1 Claim, 8 Drawing Sheets**



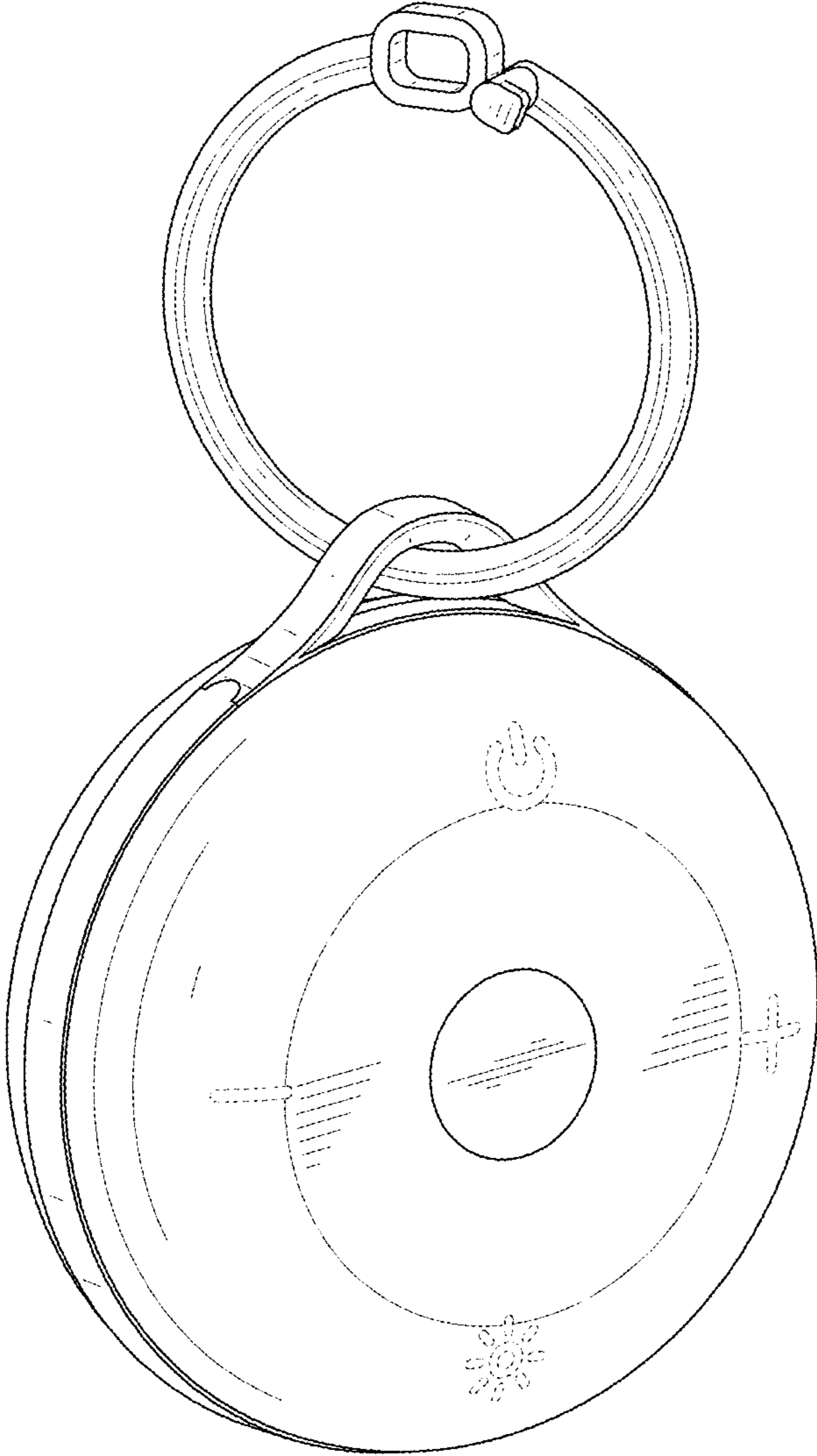


FIG. 1

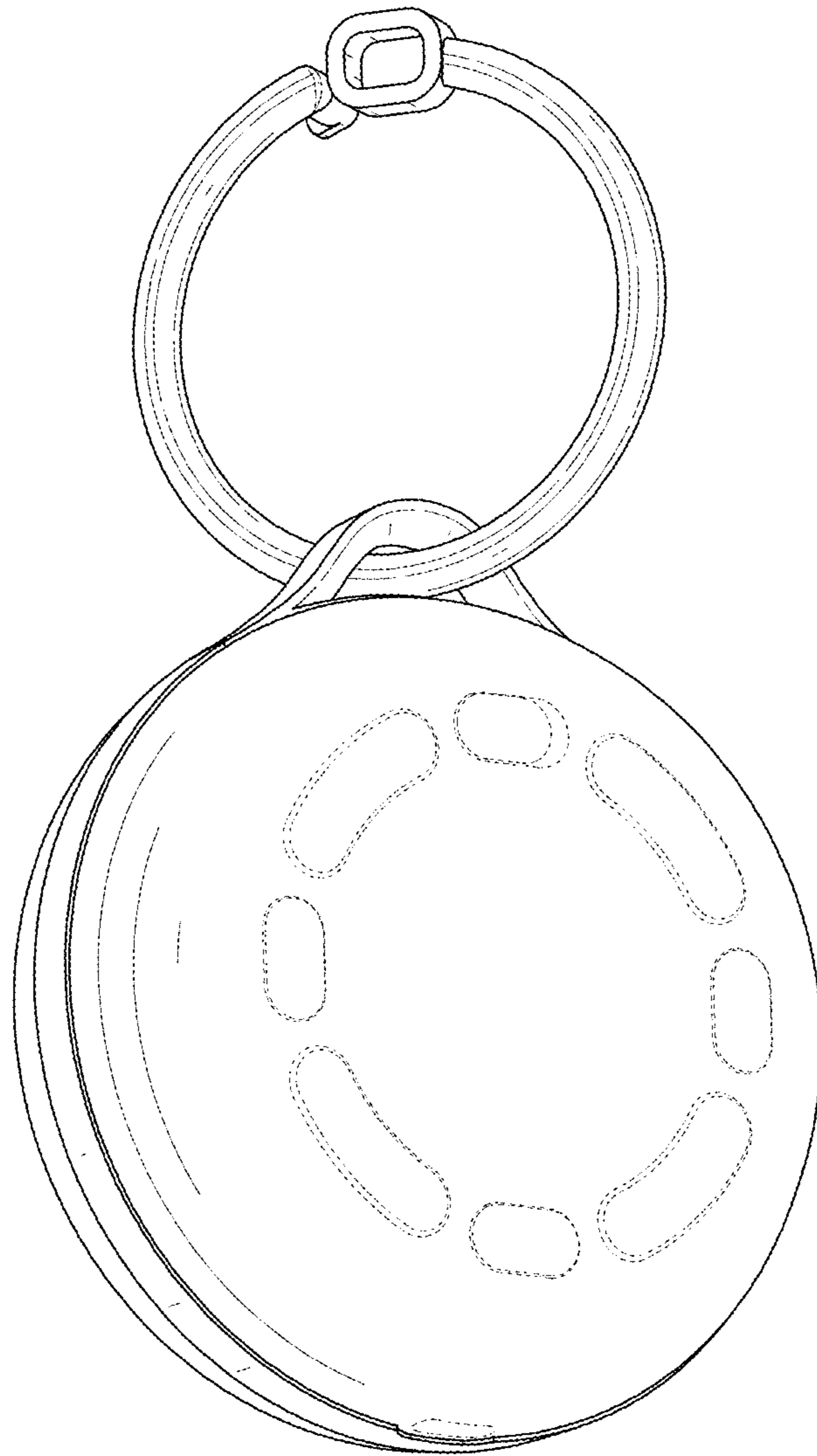


FIG. 2

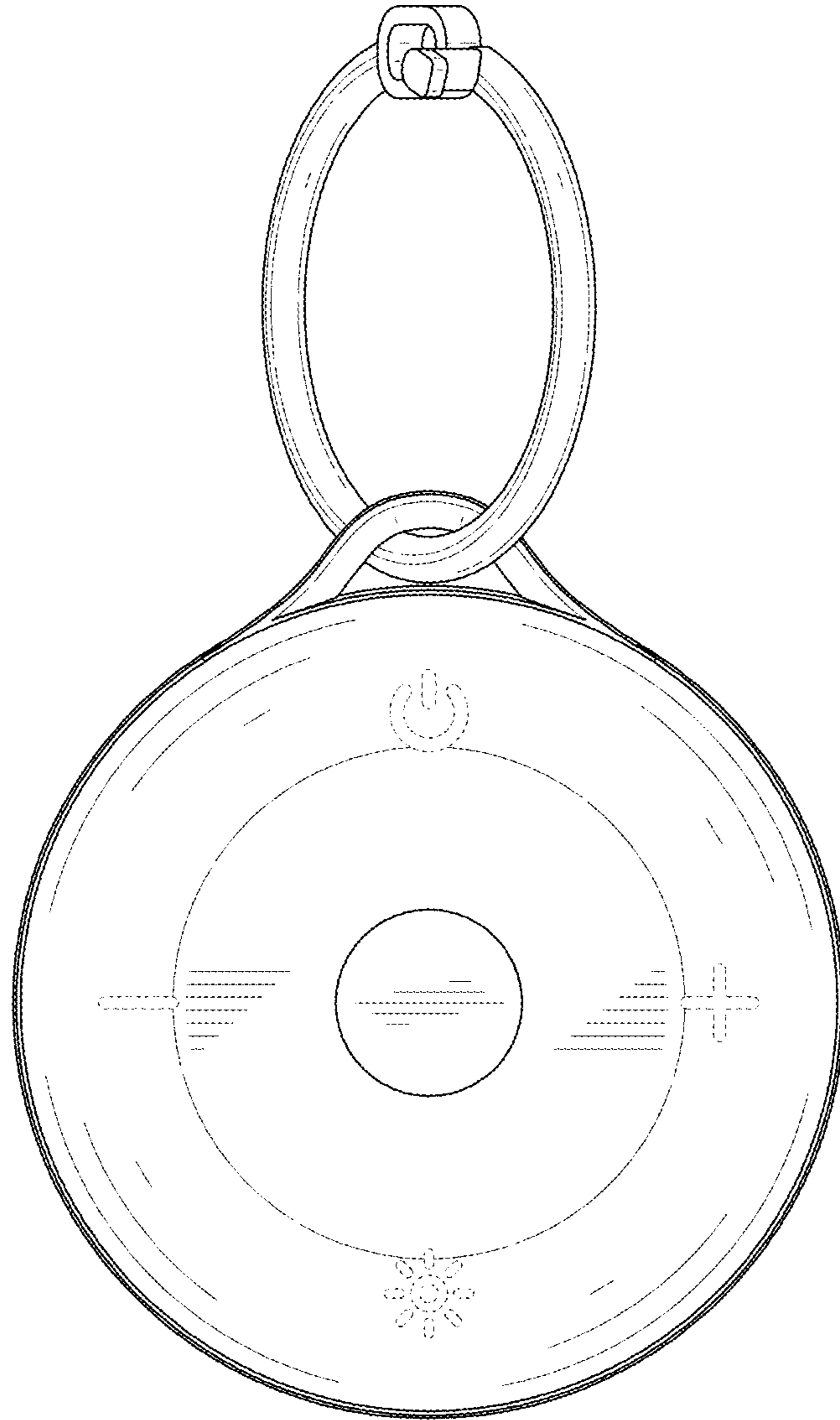


FIG. 3

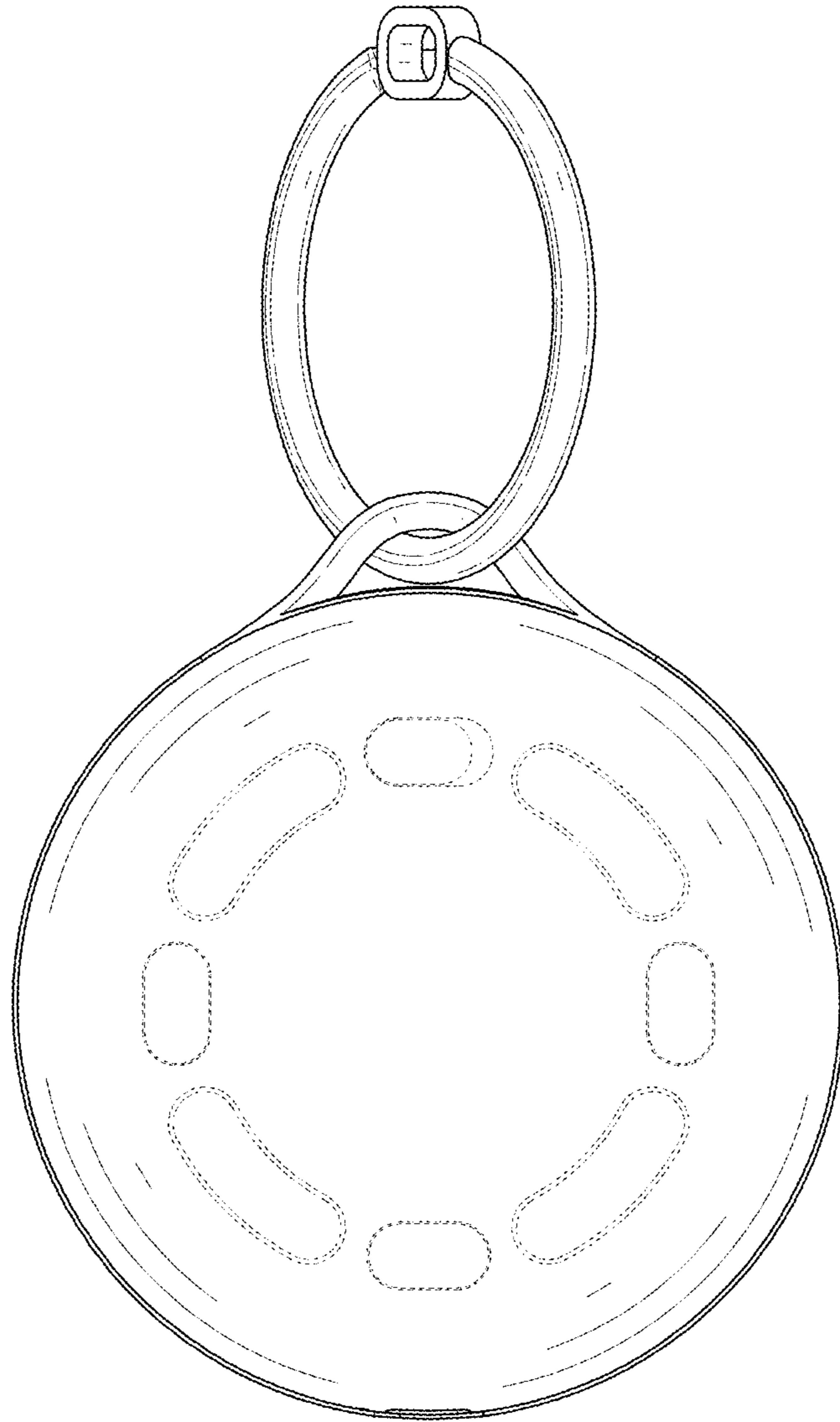


FIG. 4

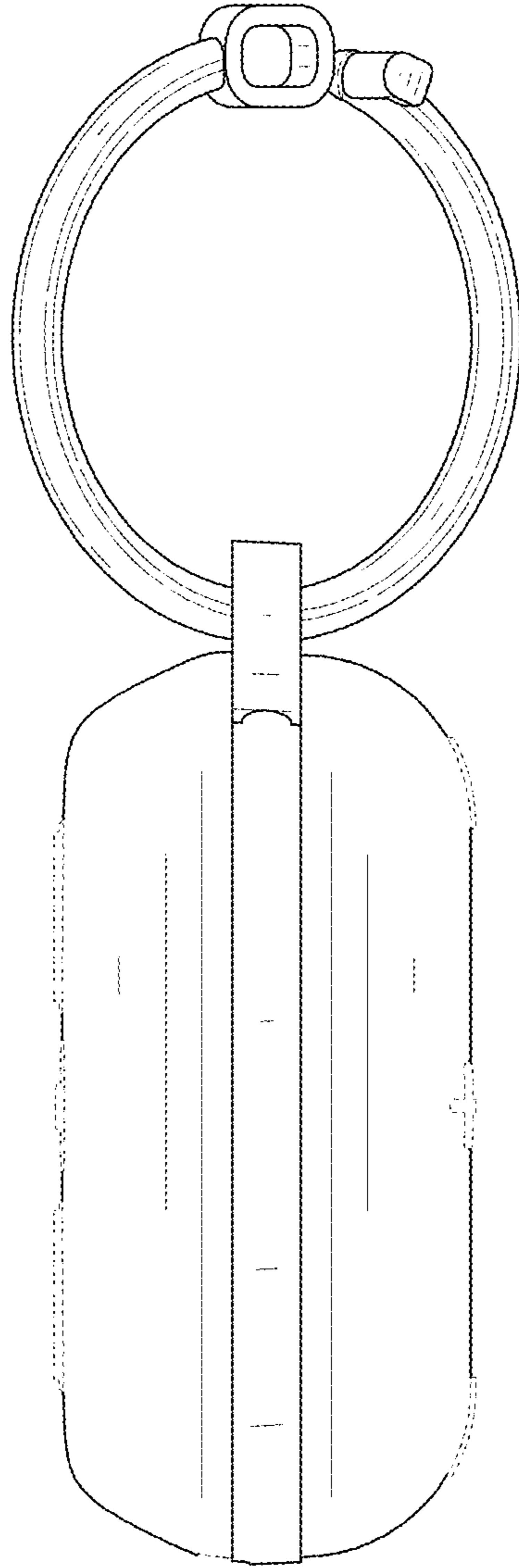


FIG. 5

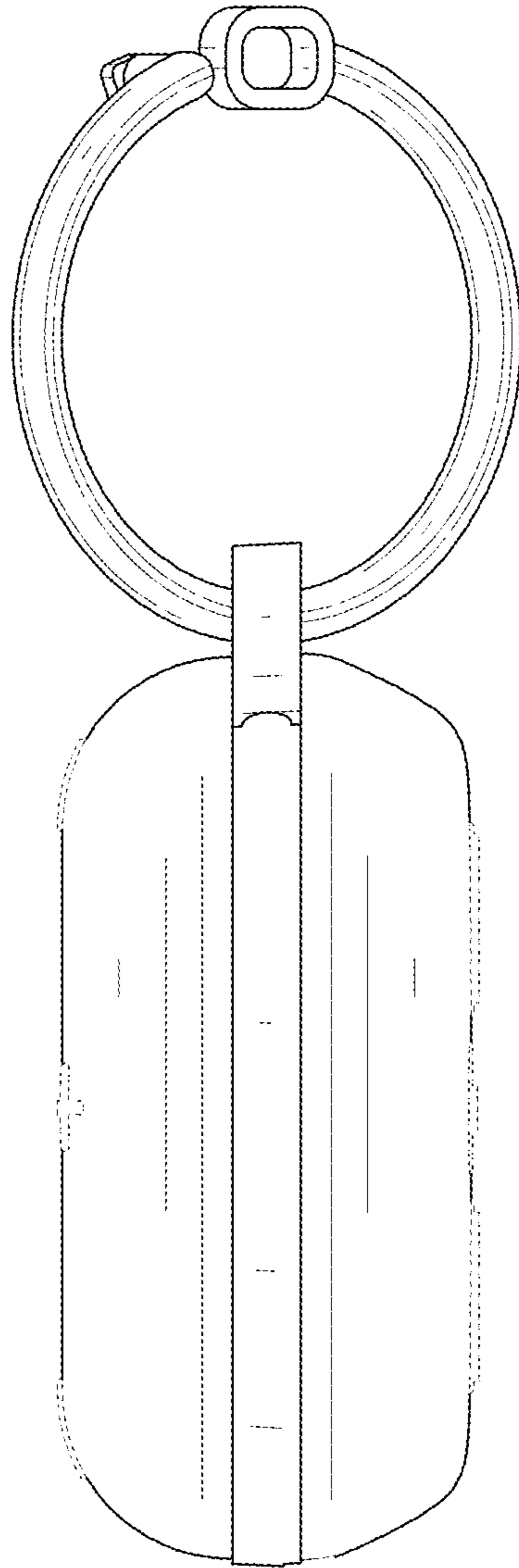


FIG. 6

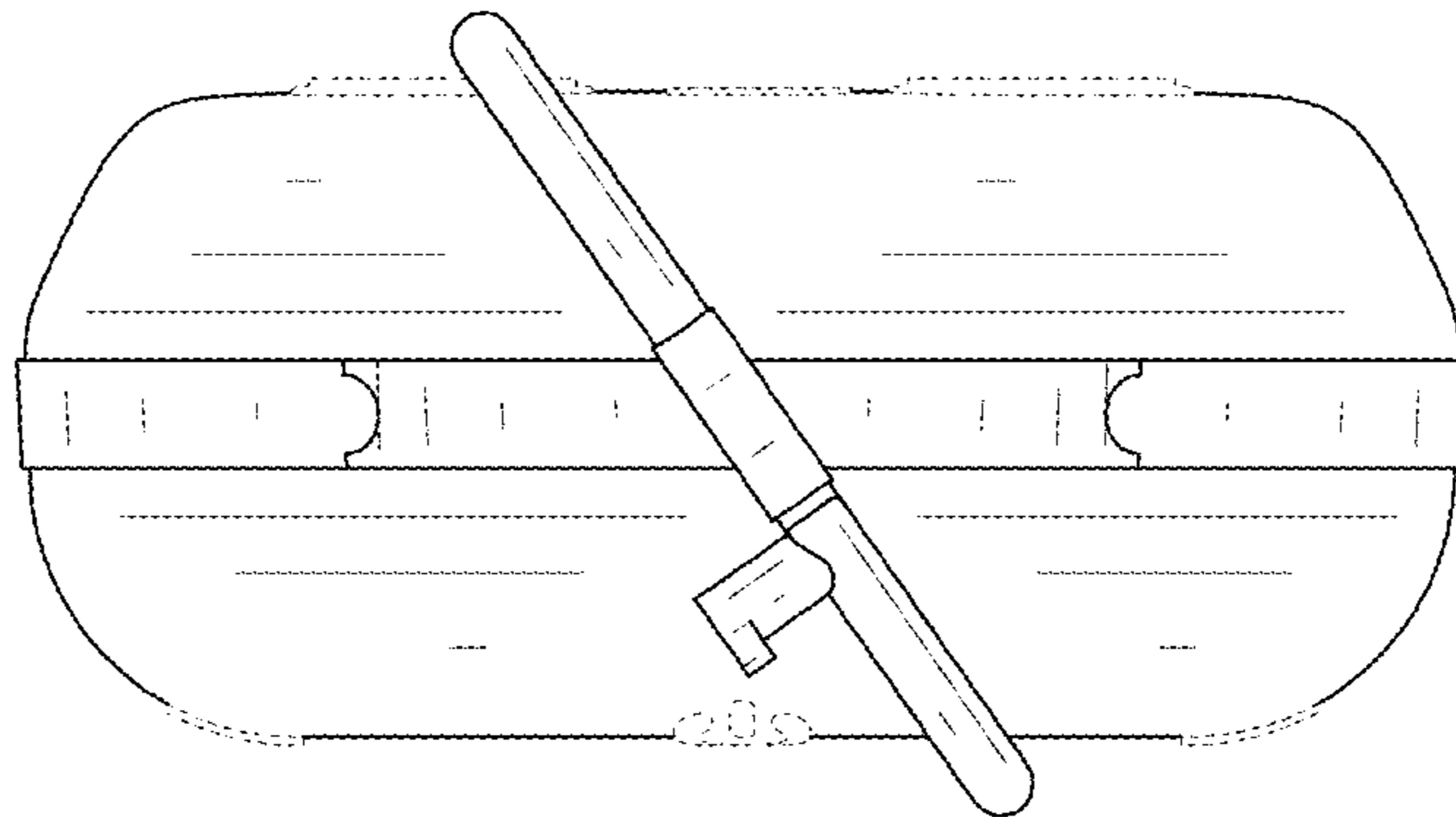


FIG. 7



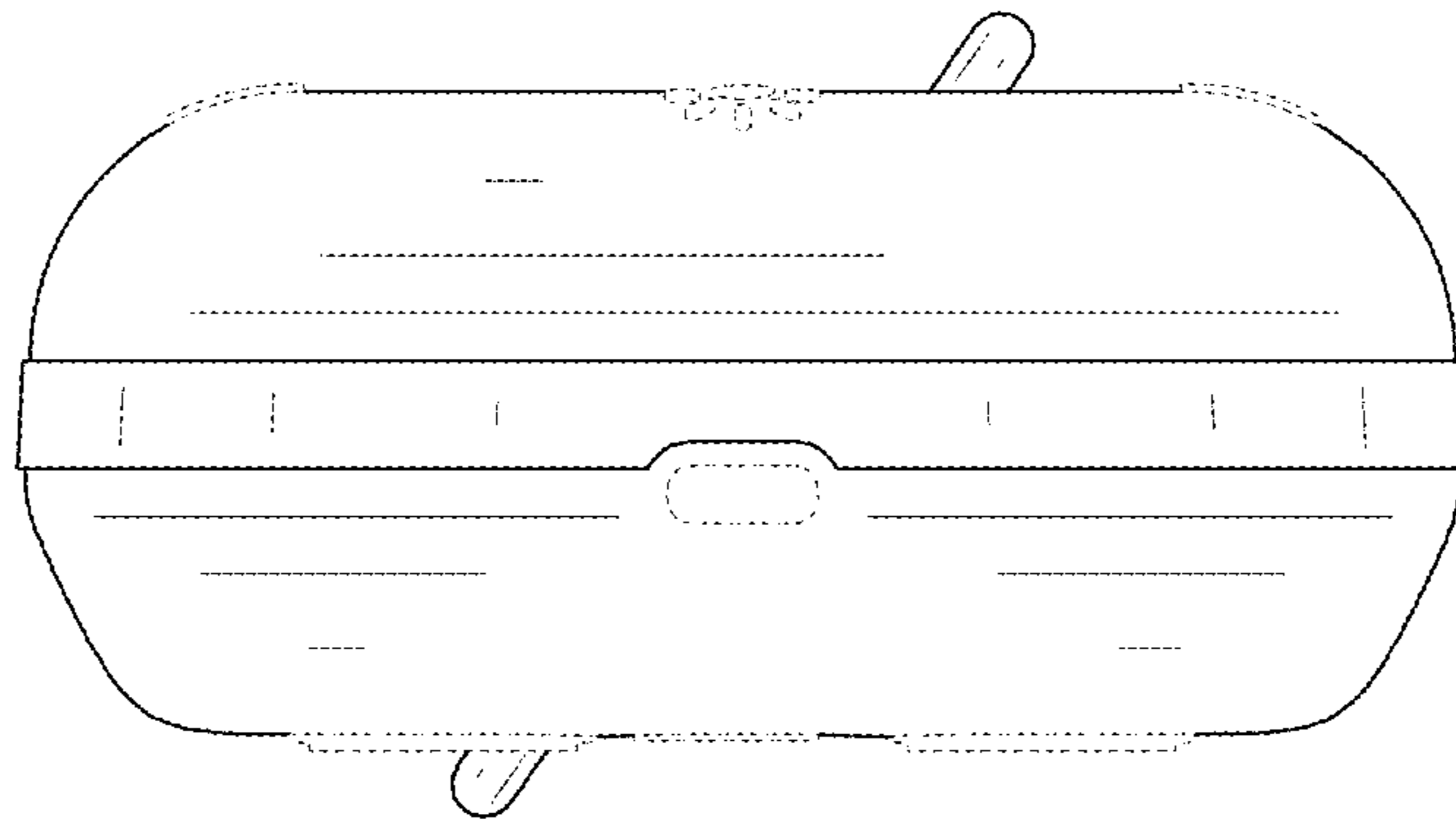


FIG. 8