



US00D952179S

(12) **United States Design Patent**
Gil

(10) **Patent No.:** **US D952,179 S**

(45) **Date of Patent:** **** May 17, 2022**

(54) **HEARING AID MAINTENANCE SYSTEM**

(71) Applicant: **MG DEVELOPPEMENT**, Perols (FR)

(72) Inventor: **Jose Gil**, Saint Bauzille de Montmel (FR)

(**) Term: **15 Years**

(21) Appl. No.: **35/508,090**

(22) Filed: **Jun. 11, 2019**

(80) **Hague Agreement Data**

Int. Filing Date: **Jun. 11, 2019**

Int. Reg. No.: **DM/204571**

Int. Reg. Date: **Jun. 11, 2019**

Int. Reg. Pub. Date: **Dec. 13, 2019**

(30) **Foreign Application Priority Data**

Jan. 29, 2019 (EM) 006112017

(51) **LOC (13) Cl.** **24-02**

(52) **U.S. Cl.**
USPC **D24/217**

(58) **Field of Classification Search**
USPC D24/217, 174
CPC H04R 2460/17; H04R 2225/31; H04R 25/00; H04R 1/12; H04R 25/60; H04R 25/654
See application file for complete search history.

(56) **References Cited**

U.S. PATENT DOCUMENTS

7,814,678 B2 * 10/2010 Romanek F26B 25/16 34/202
D681,213 S * 4/2013 Solby D24/174
D720,461 S * 12/2014 Svensson D24/174

D765,263 S * 8/2016 Nelson D24/217
9,800,966 B2 * 10/2017 Hirsch H04M 1/05
D809,152 S * 1/2018 Chan D24/217
10,397,688 B2 * 8/2019 Hirsch H04W 52/0225
10,582,328 B2 * 3/2020 Milevski G11B 20/10527
10,617,297 B2 * 4/2020 Turner A61B 5/0478
D885,603 S * 5/2020 Zhang D24/217
2004/0244215 A1 * 12/2004 Greenspan F26B 21/083 34/80
2009/0296968 A1 * 12/2009 Wu H04R 25/00 381/323
2010/0088916 A1 * 4/2010 Romanek F26B 25/16 34/87
2010/0088922 A1 * 4/2010 Romanek F26B 9/003 34/275

* cited by examiner

Primary Examiner — Eliza Z Bennett-Hattan

Assistant Examiner — Eliza Z Harvey

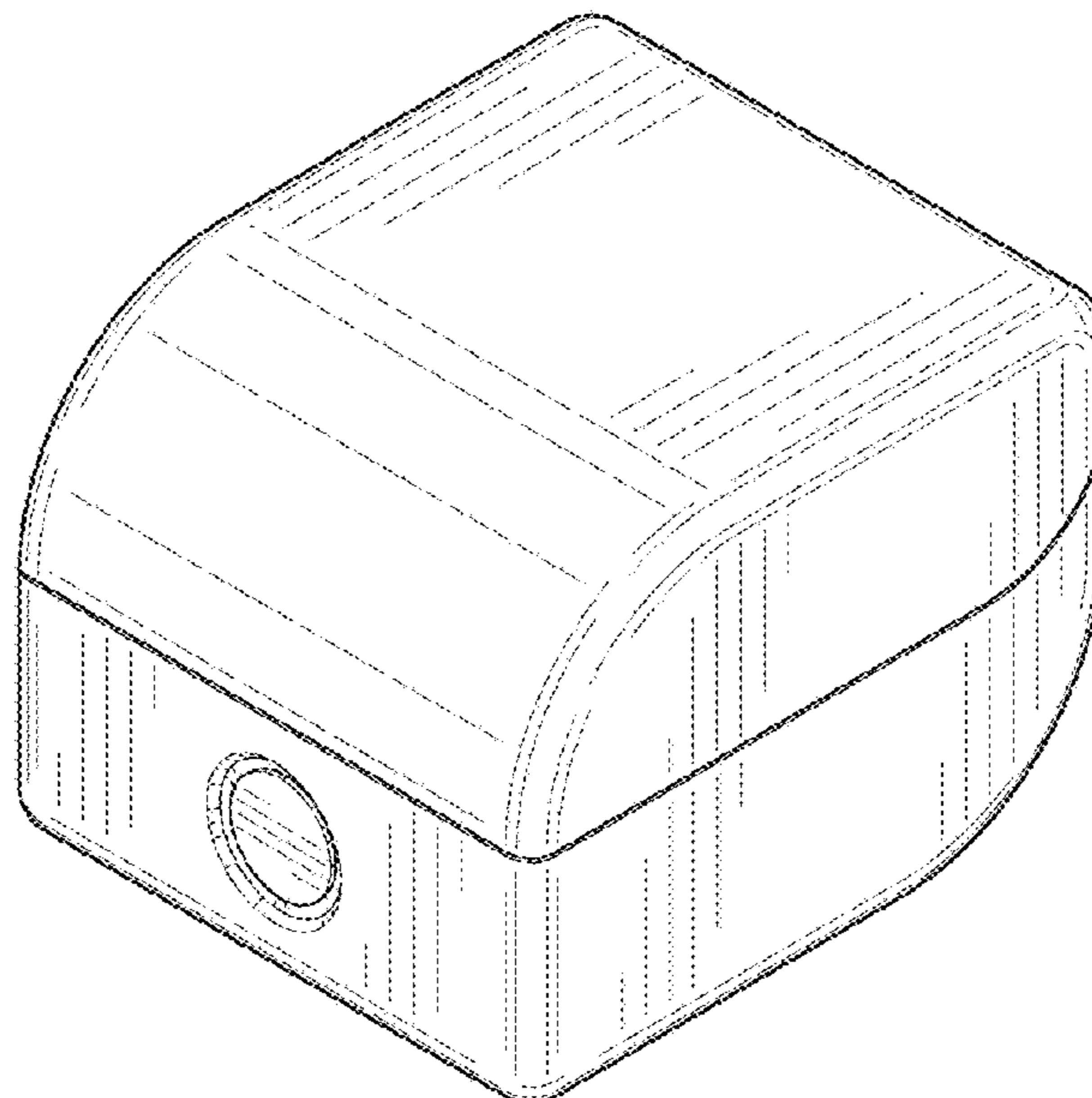
(57) **CLAIM**

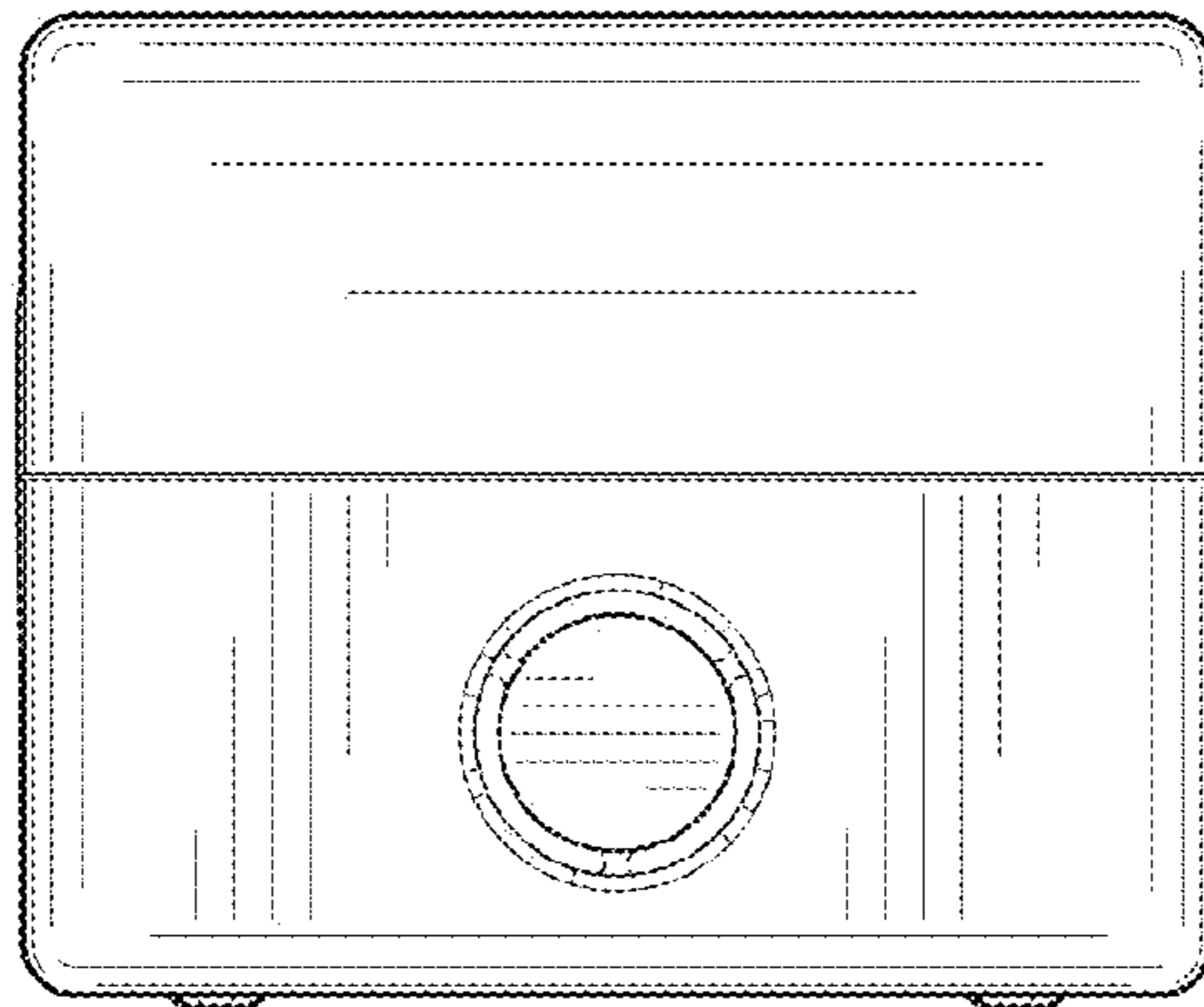
The ornamental design for a hearing aid maintenance system, as shown and described.

DESCRIPTION

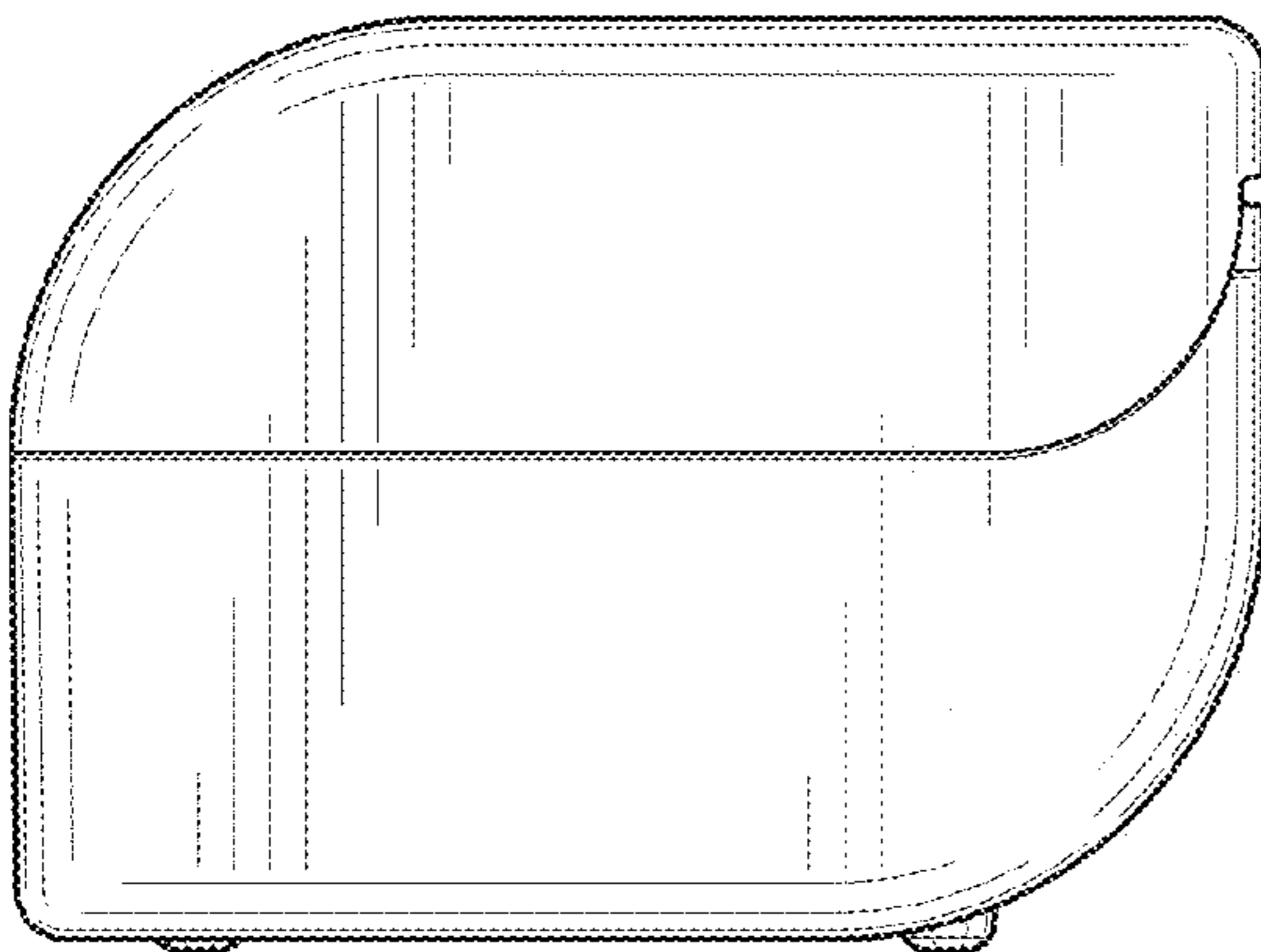
Fig. 1.1 is a front elevational view of a hearing aid maintenance system showing my new design;
Fig. 1.2 is a left side elevation view thereof;
Fig. 1.3 is a right side elevation view thereof;
Fig. 1.4 is a top plan view thereof;
Fig. 1.5 is a bottom plan view thereof, showing surface features in broken lines;
Fig. 1.6 is an upper perspective view thereof in a closed configuration; and
Fig. 1.7 is another upper perspective view thereof in an opened configuration.
The broken lines in Figure 1.5 are included for the purpose of illustrating surface features as environment and forms no part of the claimed design.

1 Claim, 2 Drawing Sheets

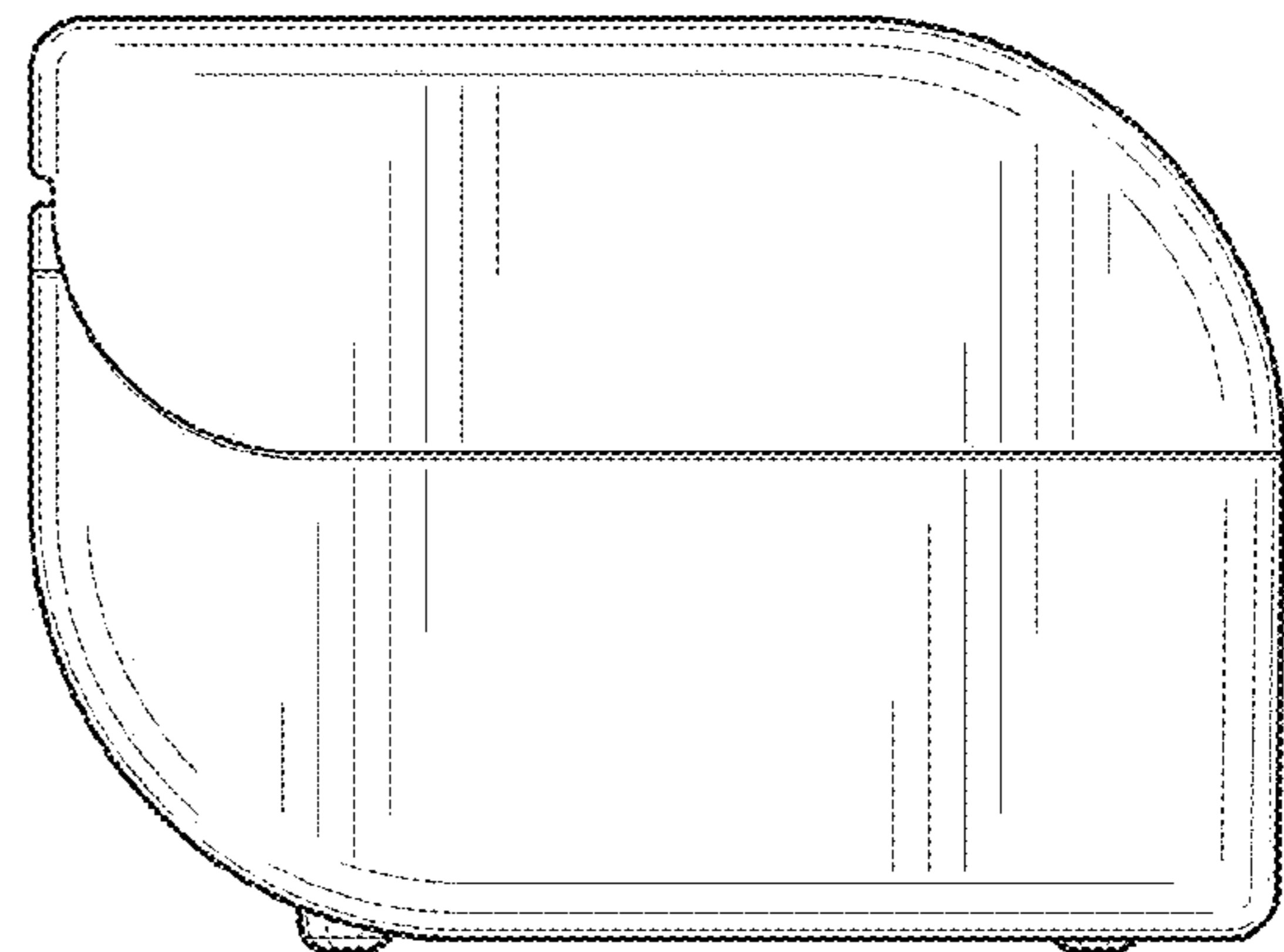




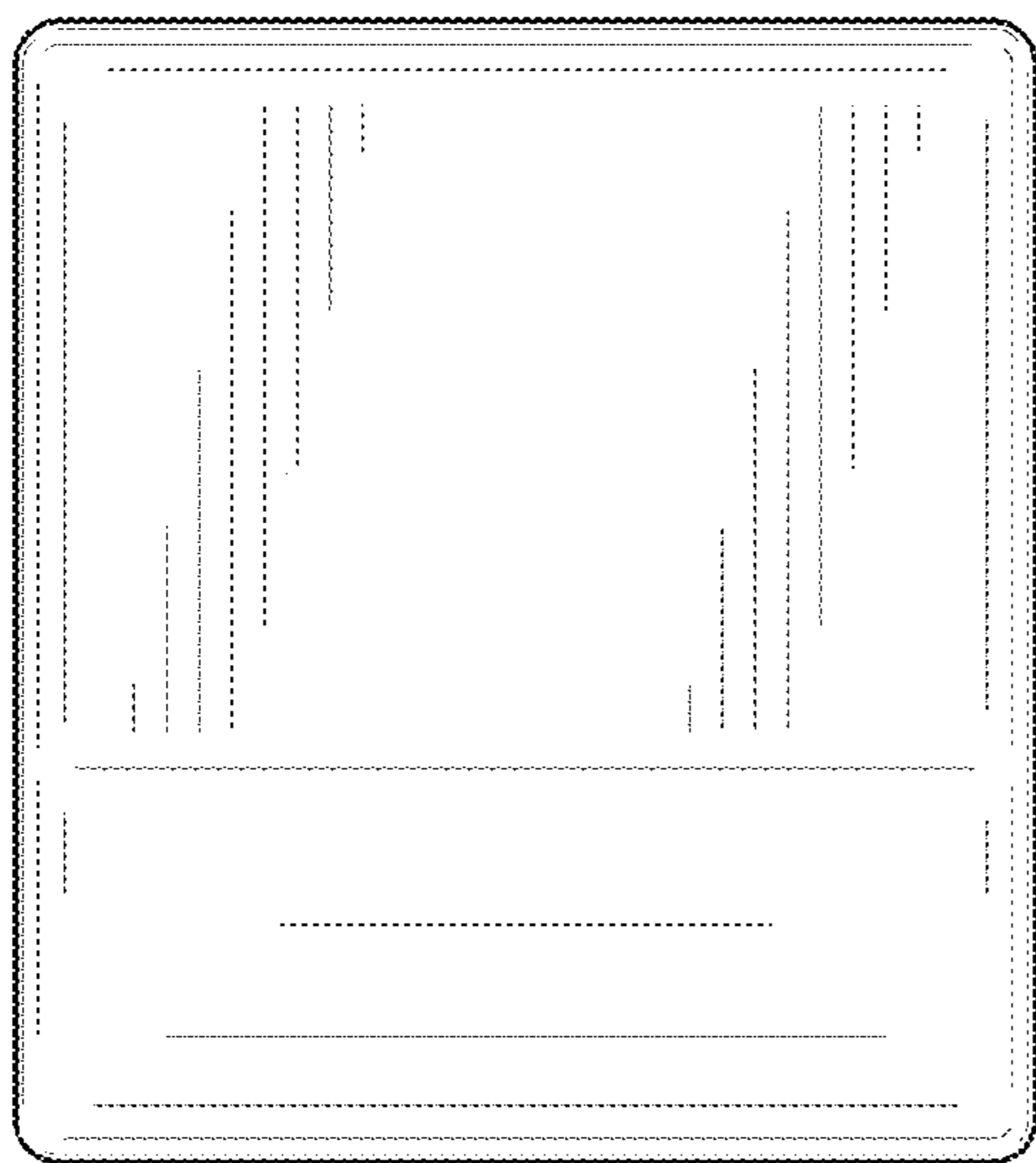
1.1



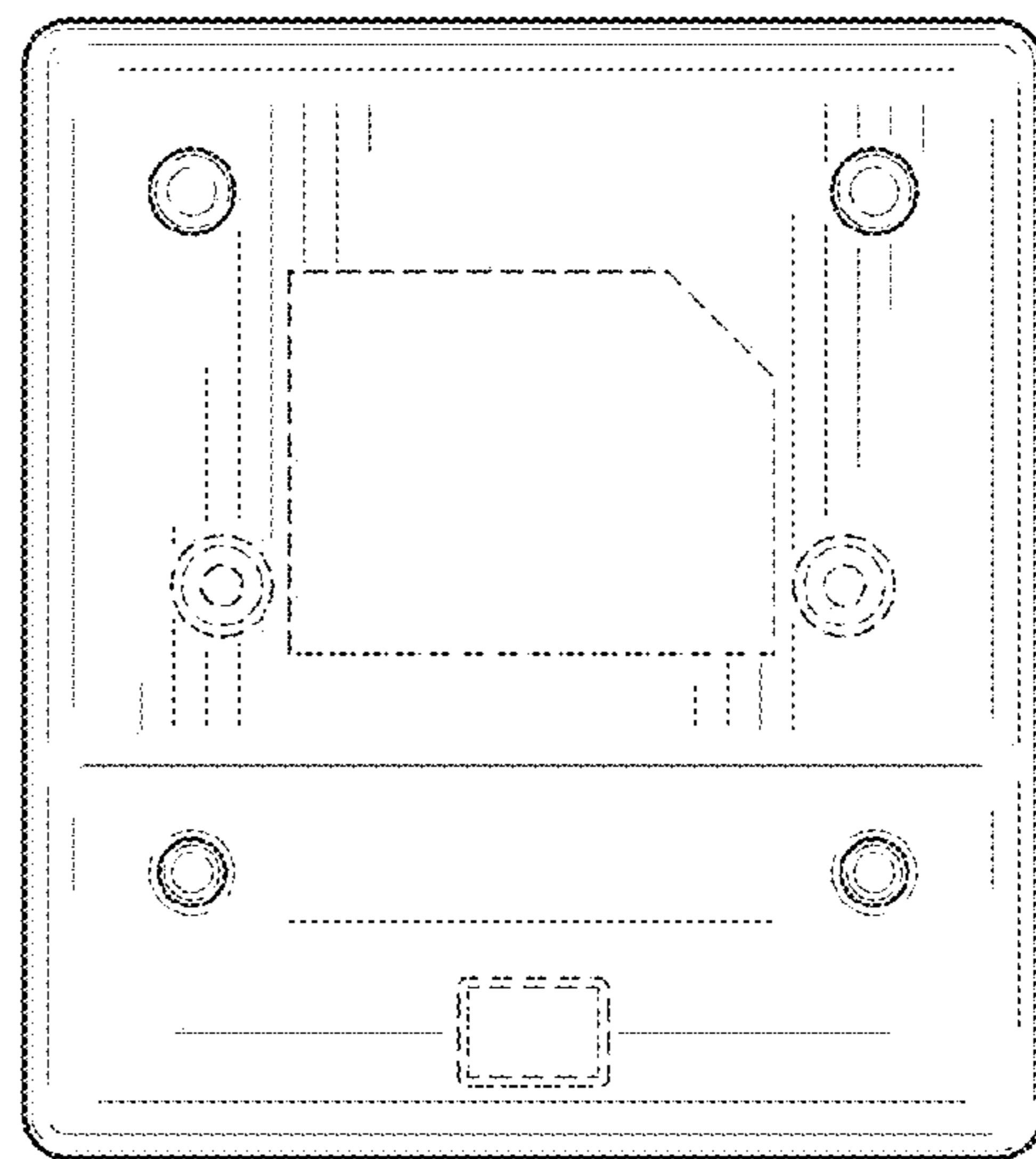
1.2



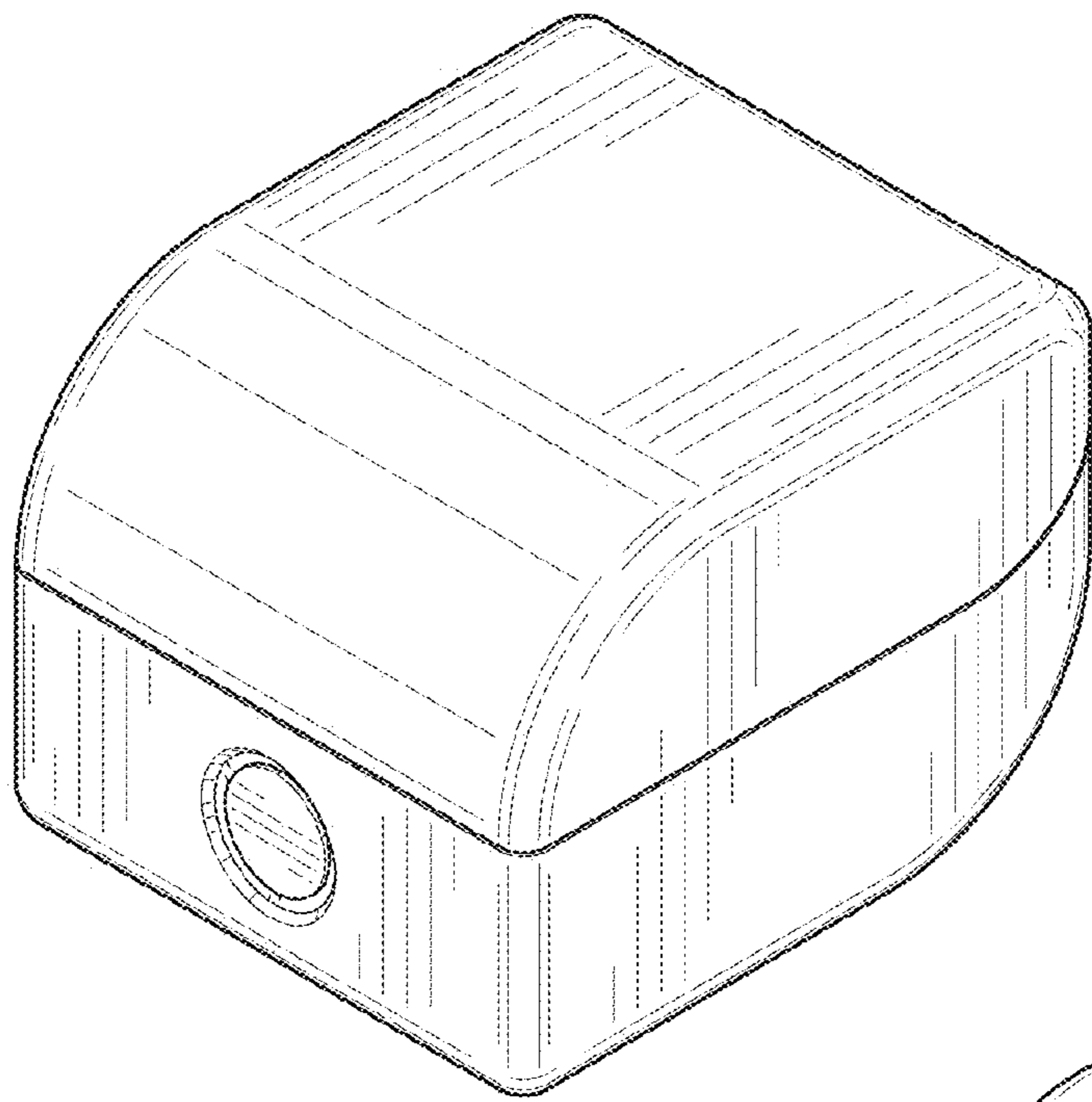
1.3



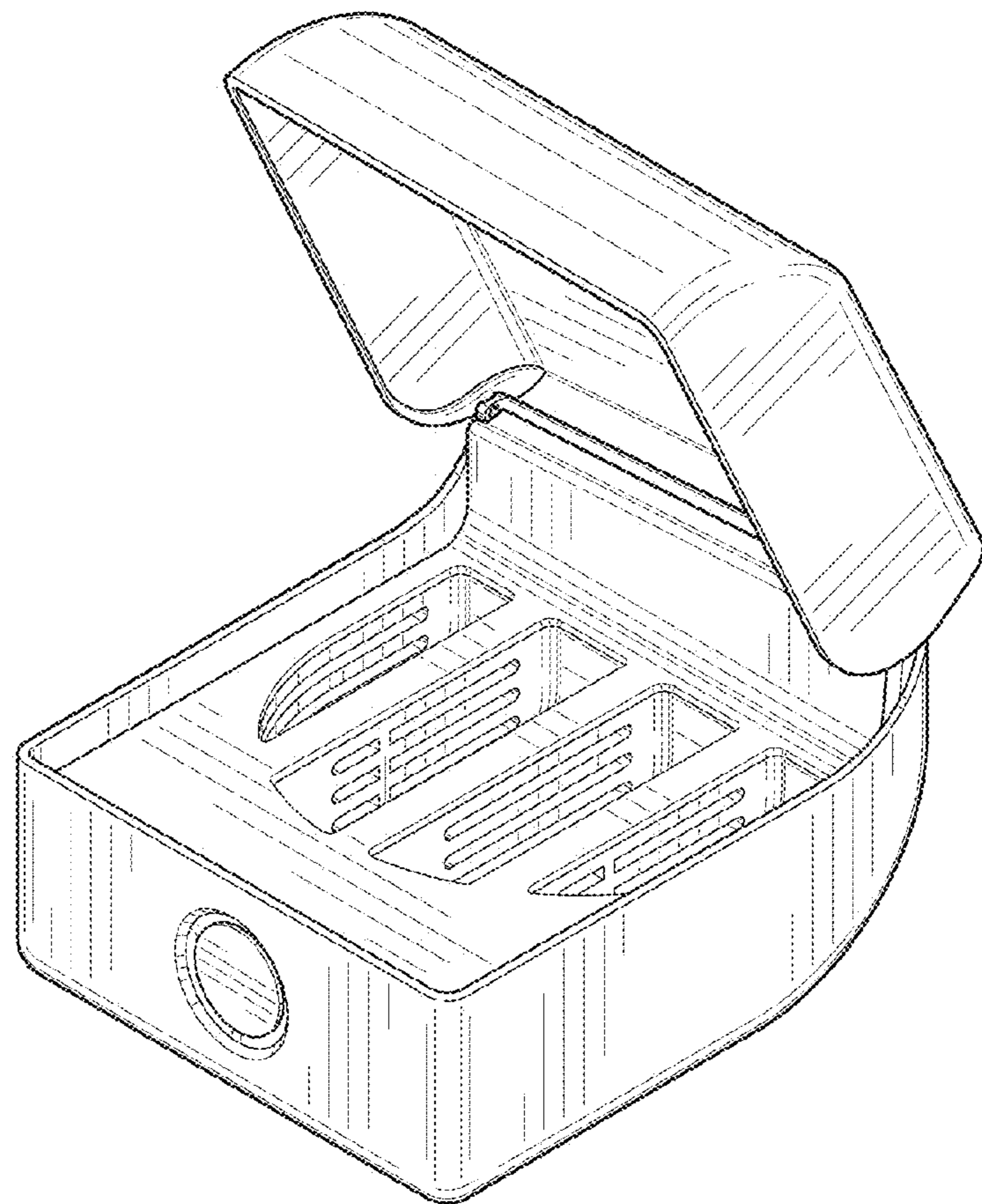
1.4



1.5



1.6



1.7