



US00D952175S

(12) **United States Design Patent** (10) **Patent No.:** **US D952,175 S**
Zou (45) **Date of Patent:** **** May 17, 2022**

(54) **MASSAGER**
(71) Applicant: **FINE DRAGON TECHNOLOGY LIMITED**, Guangdong (CN)
(72) Inventor: **Zhenren Zou**, Guangdong (CN)
(73) Assignee: **FINE DRAGON TECHNOLOGY LIMITED**, Shenzhen (CN)
(**) Term: **15 Years**
(21) Appl. No.: **29/736,661**
(22) Filed: **Jun. 2, 2020**
(51) **LOC (13) Cl.** **28-03**
(52) **U.S. Cl.**
USPC **D24/215**
(58) **Field of Classification Search**
USPC D24/215, 200, 211, 212, 213, 214, 133,
D24/188, 107, 231; D8/14.1, 61;
D28/13
CPC .. A61H 1/00; A61H 15/00; A61H 2015/0007;
A61H 7/00; A61H 7/003; A61H 7/004;
A61H 7/005; A61H 9/00; A61H 9/0007;
A61H 9/0021; A61H 9/005; A61H 23/00;
A61H 23/006; A61H 23/02; A61H
23/0254; A61H 23/04; A61H 2201/0153;
A61H 2201/1207
See application file for complete search history.

D898,933 S * 10/2020 Xu D24/215
D899,620 S * 10/2020 Huang D24/215
D912,317 S * 3/2021 Park D28/13
D915,668 S * 4/2021 Zhou D28/13
D917,060 S * 4/2021 Hu D24/215
D919,175 S * 5/2021 Yu D28/13
D924,422 S * 7/2021 Huang D24/215

OTHER PUBLICATIONS

KKUYI—Evertop Muscle Massage Gun. Date: May 5, 2020. [online],
[Site visited Aug. 25, 2021]. Available from Internet URL: <https://www.amazon.co.uk/dp/B0886512MP> (Year: 2020).*
ATOYX—Percussion Massage Gun. Date: Apr. 22, 2020. [online],
[Site visited Aug. 20, 2021]. Available from Internet URL: <https://www.amazon.co.uk/dp/B087JR7LMP/> (Year: 2020).*

(Continued)

Primary Examiner — Susan Bennett Hattan
Assistant Examiner — Landon Thomas Cassell

(57) **CLAIM**

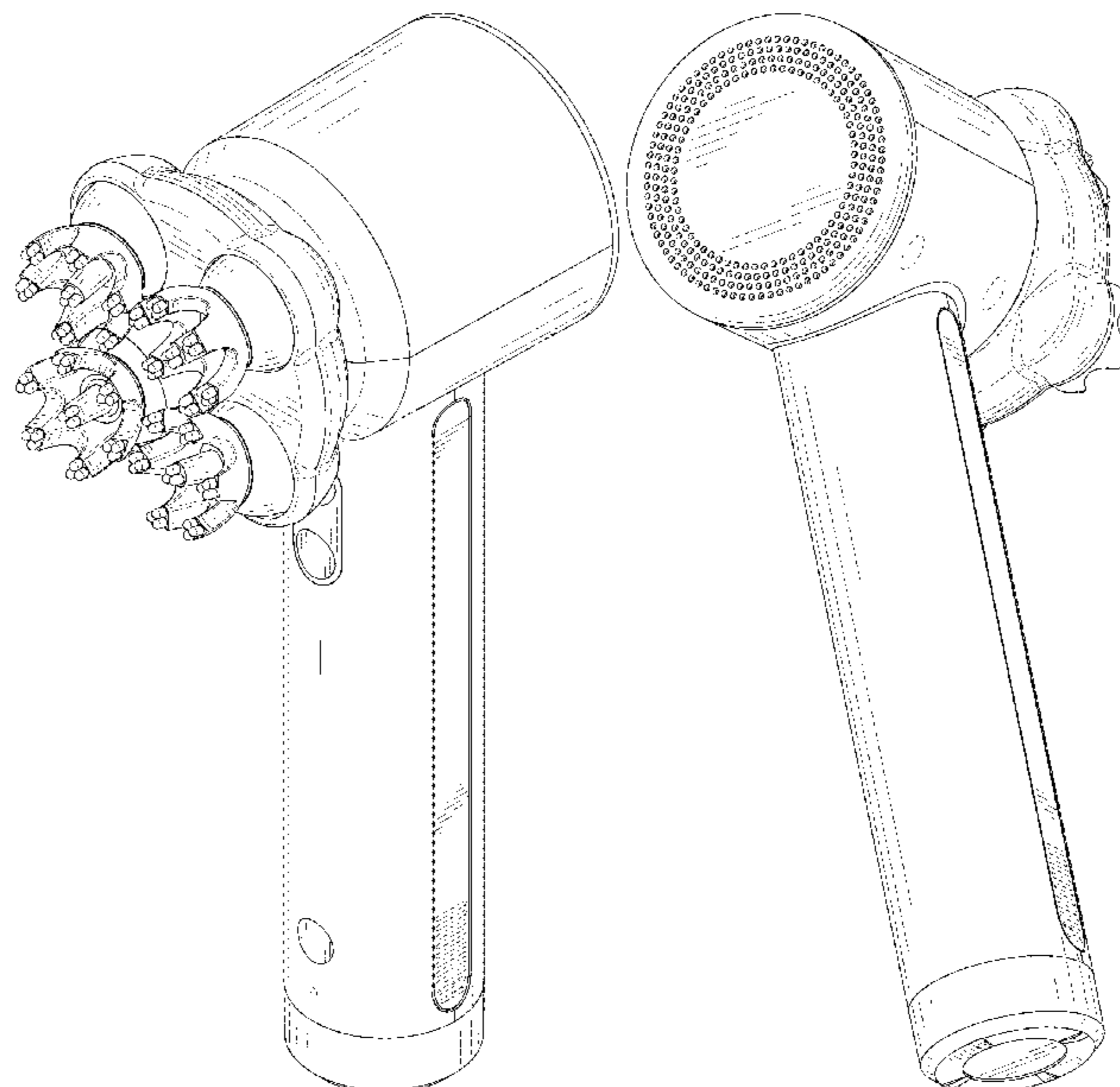
The ornamental design for a massager, as shown and described.

DESCRIPTION

FIG. 1 is a top, front and left side perspective view of a massager showing my new design;
FIG. 2 is a bottom, rear and right side perspective view thereof;
FIG. 3 is a front elevational view thereof;
FIG. 4 is a rear elevational view thereof;
FIG. 5 is a left side view thereof;
FIG. 6 is a right side view thereof;
FIG. 7 is a top plan view thereof; and,
FIG. 8 is a bottom plan view thereof.
The broken lines in the drawings illustrate portions of the massager which form no part of the claimed design.

1 Claim, 8 Drawing Sheets

(56) **References Cited**
U.S. PATENT DOCUMENTS
D487,219 S * 3/2004 Chudy D8/68
D544,102 S * 6/2007 Pivaroff D24/215
D782,732 S * 3/2017 Smith D28/13
D855,822 S * 8/2019 Marton D24/215
D884,205 S * 5/2020 Zhuang D24/215
D893,738 S * 8/2020 Zhuang D24/215
D895,831 S * 9/2020 Chen D24/215



(56)

References Cited

OTHER PUBLICATIONS

HoMedics—Handheld Physiotherapy Massager. Date: Apr. 2, 2020. [online], [Site visited Aug. 20, 2021]. Available from Internet URL: <https://www.amazon.co.uk/dp/B086QLWZQK/> (Year: 2020).*

Massage Guns. (Design—© Questel) orbit.com. [Online PDF compilation of references] 57 pgs. Print Dates Range Jan. 14, 2020-Sep. 18, 2020 [Retrieved Aug. 25, 2021] <https://www.orbit.com/export/UCZAH96B/pdf4/0f56e93d-8716-4f29-a419-73fdafdde353-223650.pdf> (Year: 2021).*

* cited by examiner

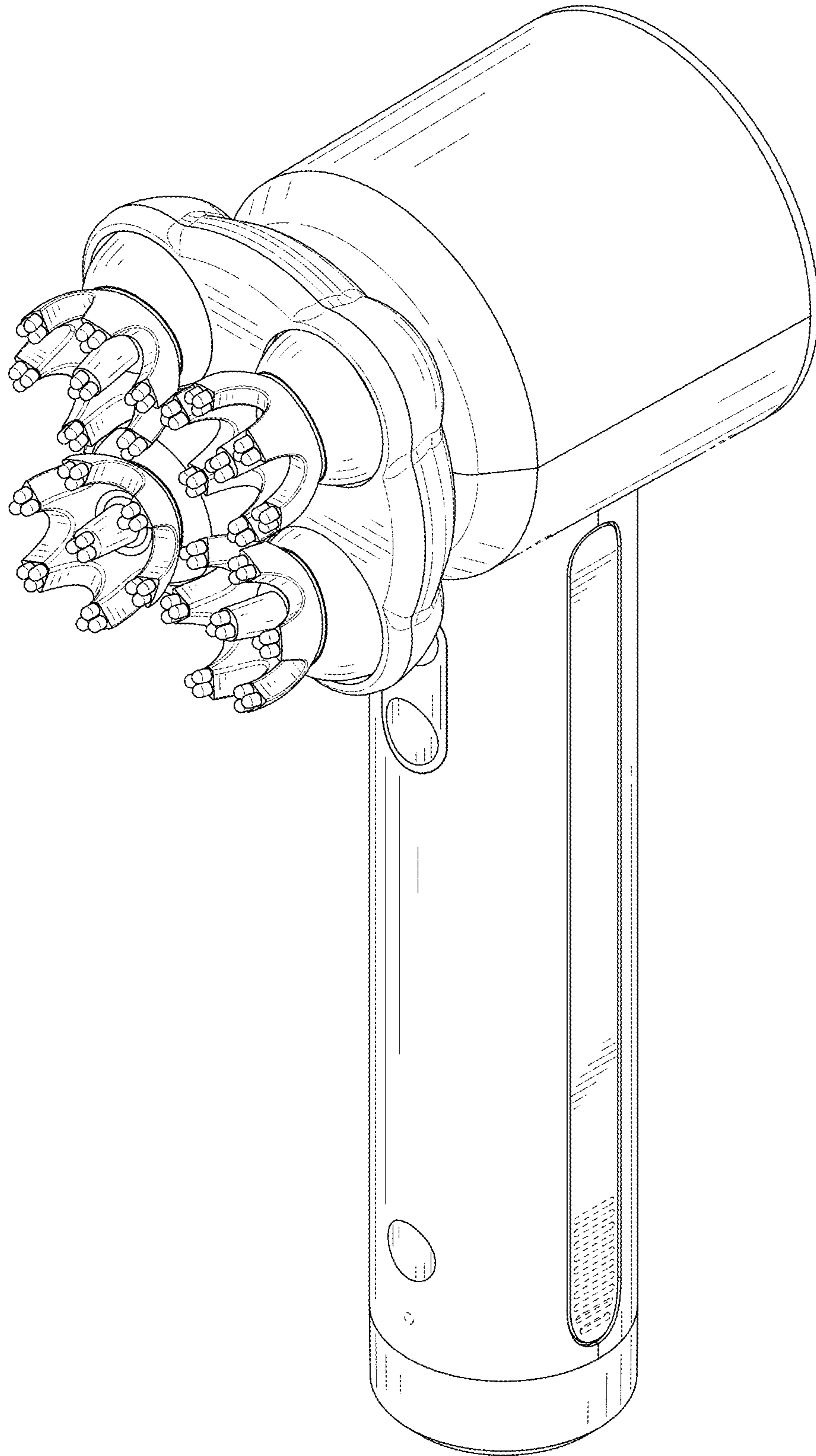


FIG. 1

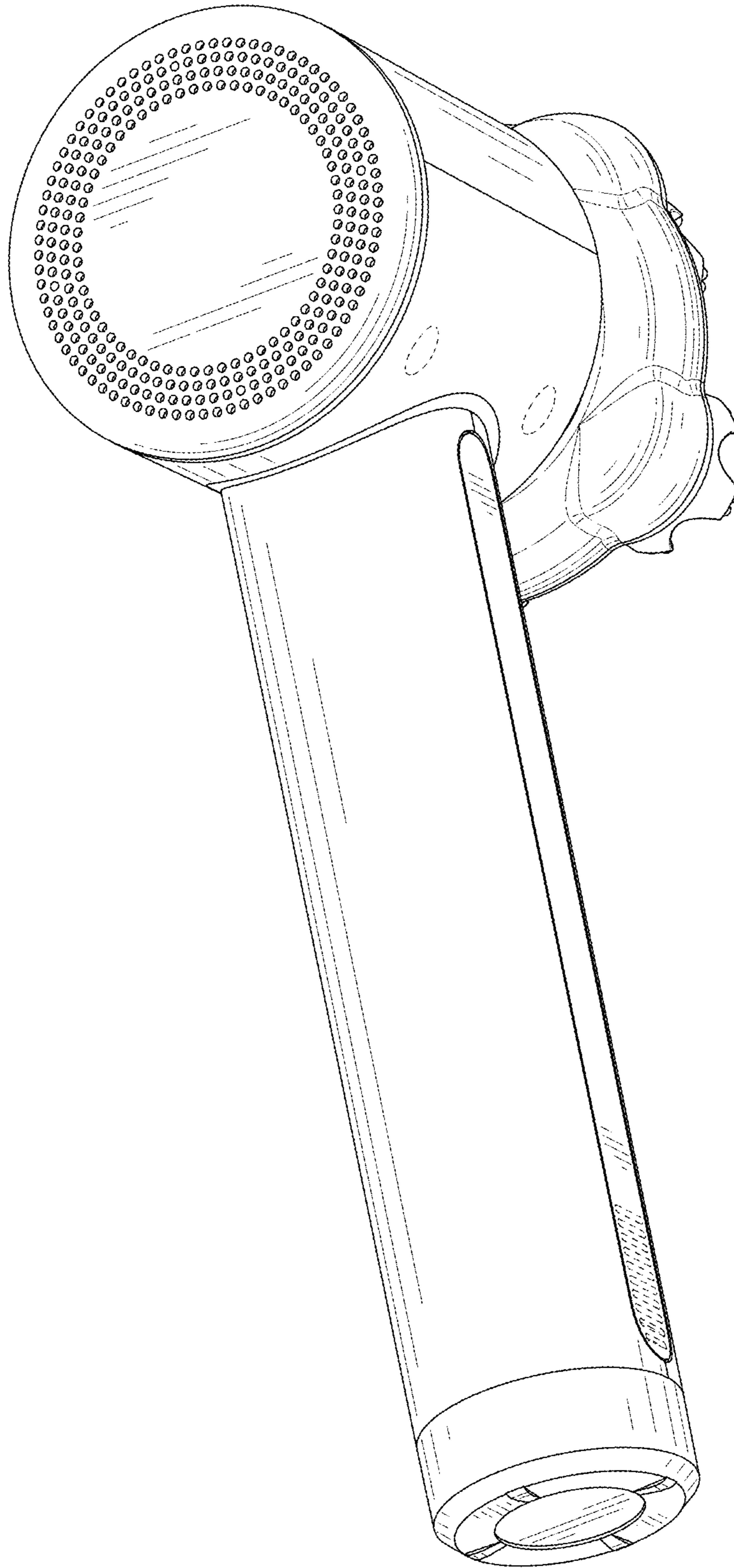


FIG. 2

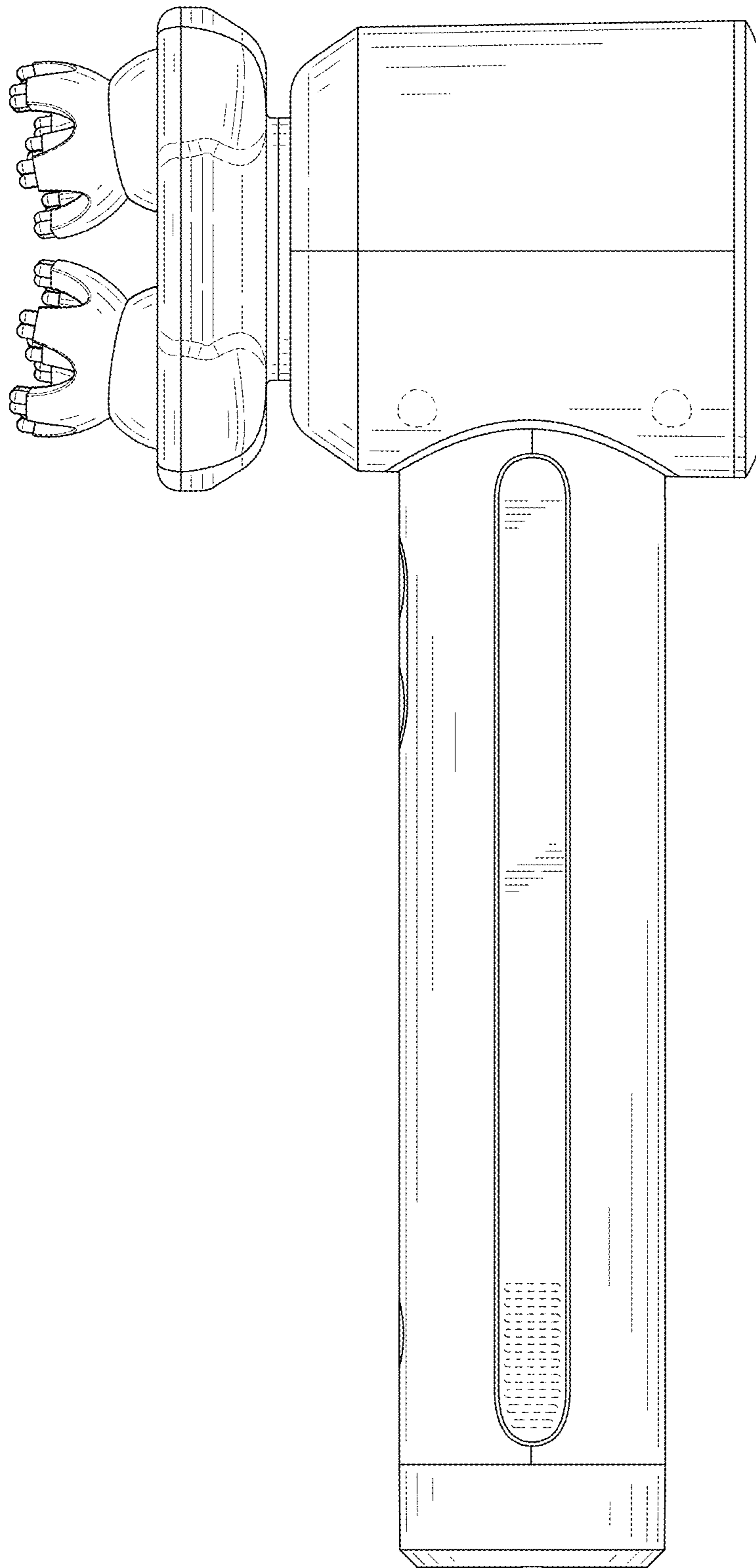


FIG. 3

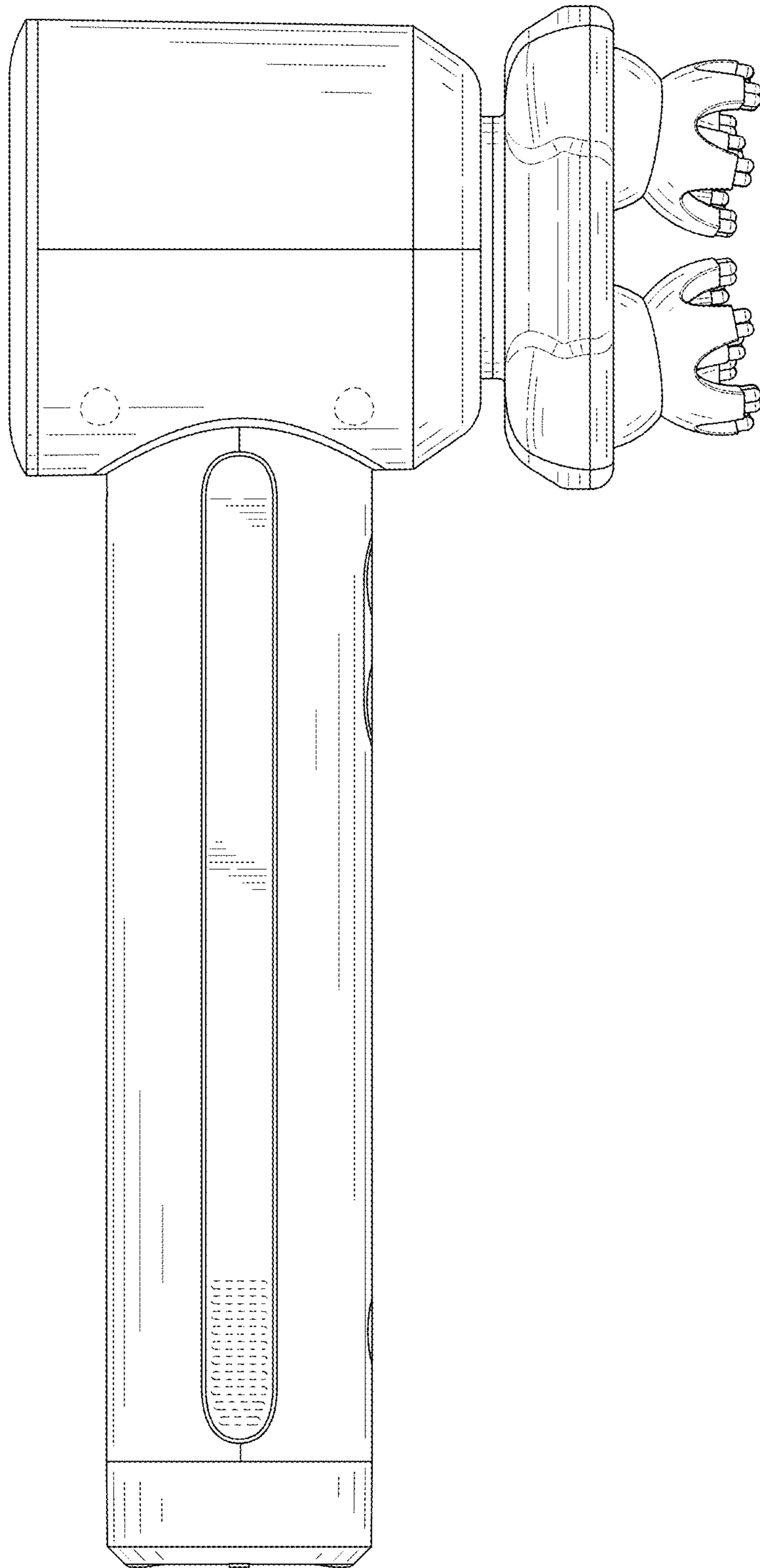


FIG. 4

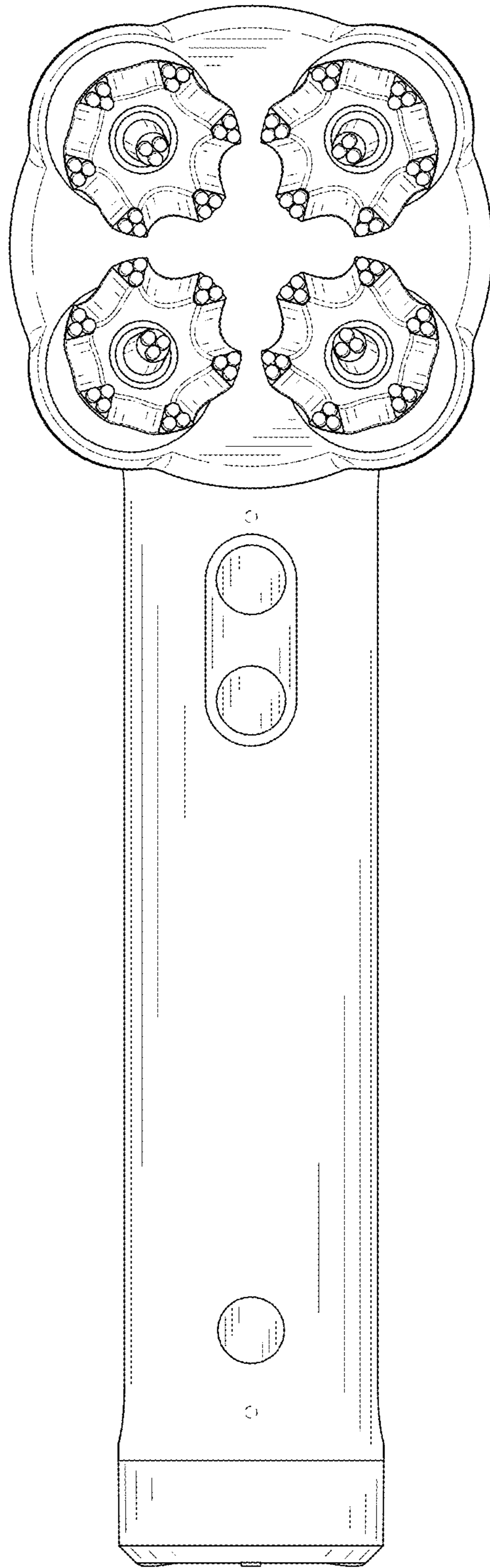


FIG. 5

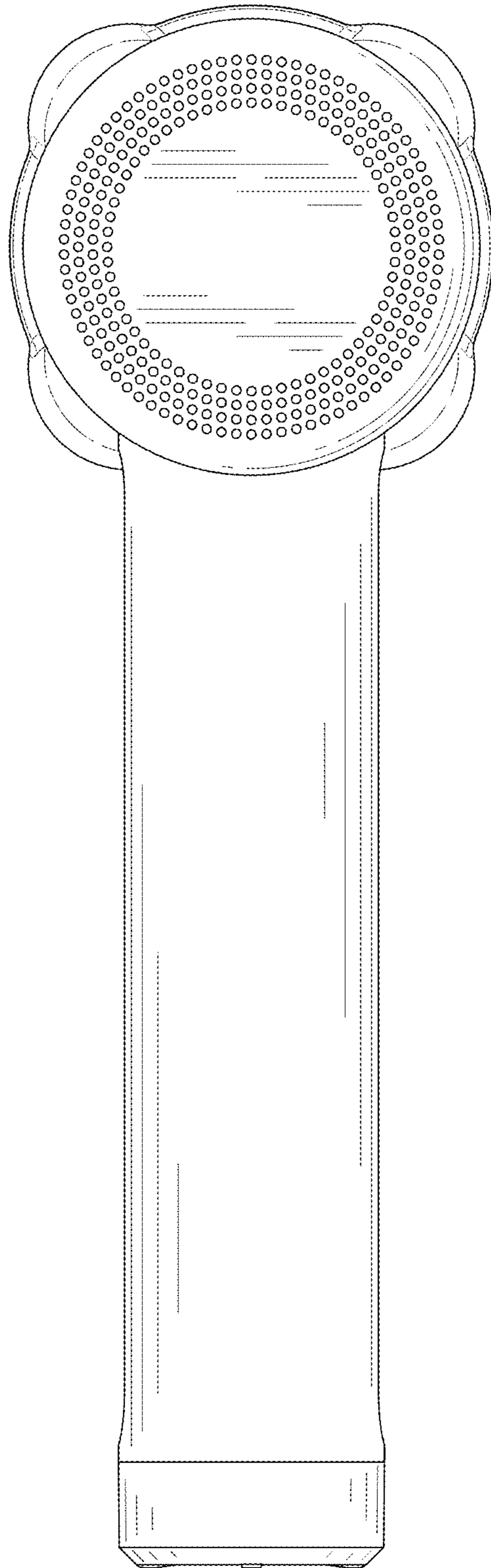


FIG. 6

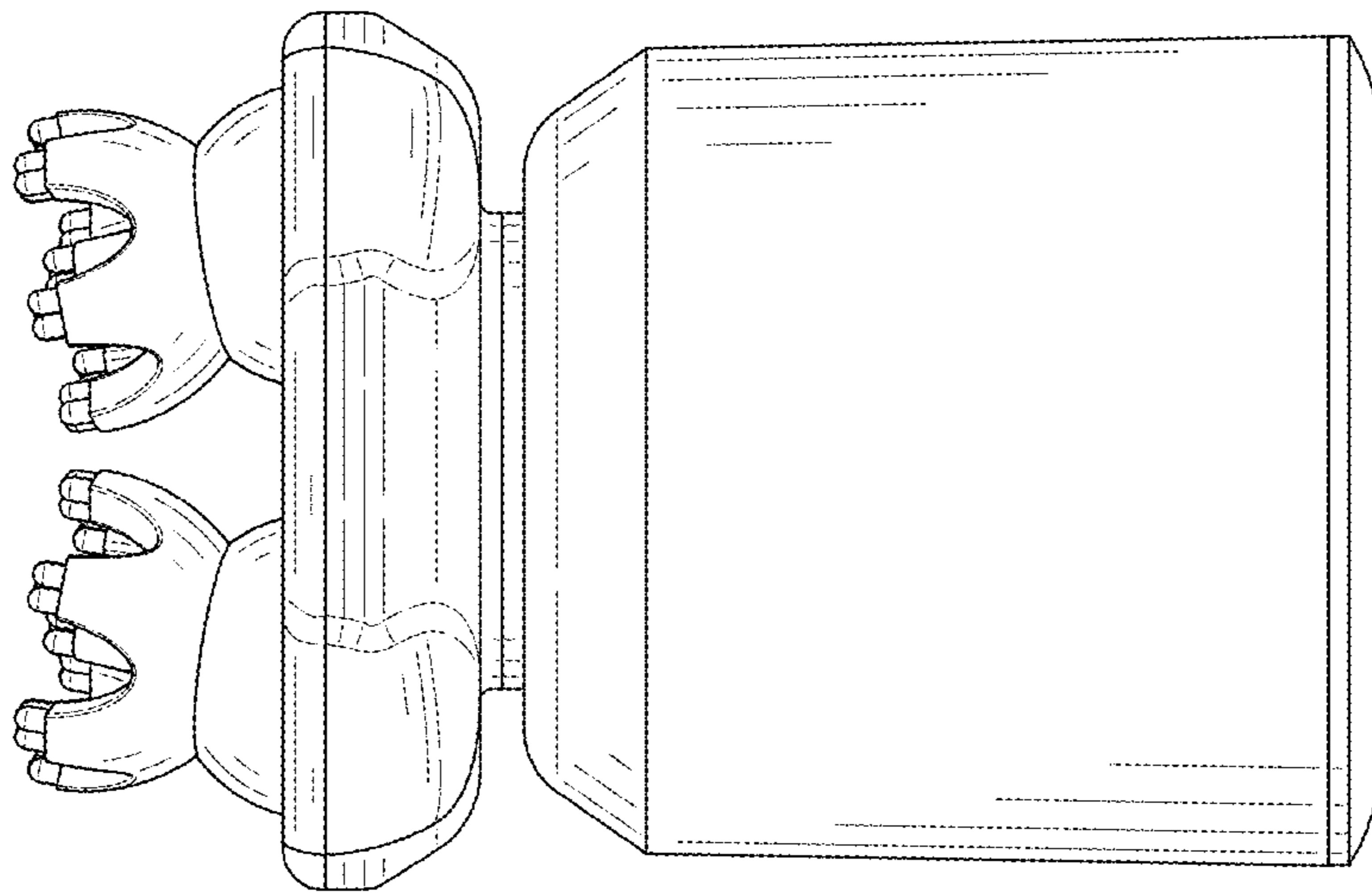


FIG. 7

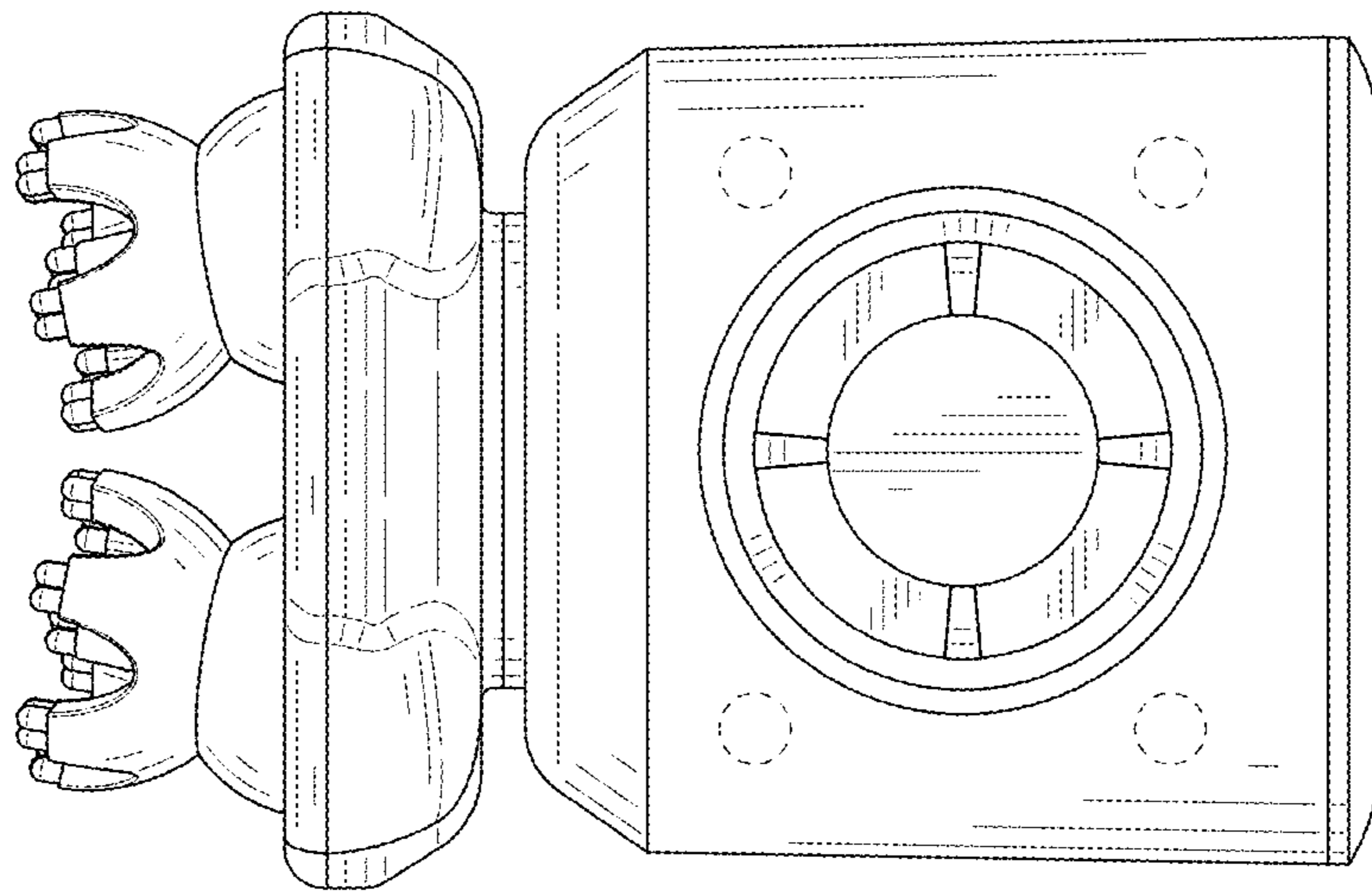


FIG. 8