



US00D952174S

(12) **United States Design Patent** (10) **Patent No.:** **US D952,174 S**  
**Shu** (45) **Date of Patent:** **\*\* May 17, 2022**

(54) **MESSAGE APPLIANCE**

(71) Applicant: **Li-Feng Shu**, Yongkang (CN)

(72) Inventor: **Li-Feng Shu**, Yongkang (CN)

(\*\*) Term: **15 Years**

(21) Appl. No.: **29/717,104**

(22) Filed: **Dec. 14, 2019**

(30) **Foreign Application Priority Data**

Sep. 4, 2019 (CN) ..... 201930484703.X

(51) **LOC (13) Cl.** ..... **28-03**

(52) **U.S. Cl.**  
USPC ..... **D24/215**

(58) **Field of Classification Search**  
USPC ..... D24/215, 200, 211, 212, 213, 214, 133,  
D24/188, 107, 231; D8/14.1; D28/13  
CPC . A61H 1/00; A61H 1/008; A61H 9/00; A61H  
9/005; A61H 9/0007; A61H 9/0021;  
A61H 2015/0071; A61H 15/0078; A61H  
15/0085; A61H 23/00; A61H 23/006;  
A61H 2023/002; A61H 23/06; A61H  
23/02; A61H 2201/0153; A61H  
2201/0157; A61H 7/005; A61H 7/003  
See application file for complete search history.

(56) **References Cited**

**U.S. PATENT DOCUMENTS**

D403,220 S \* 12/1998 Kimata ..... D8/68  
D487,219 S \* 3/2004 Chudy ..... D8/68  
D544,102 S \* 6/2007 Pivaroff ..... D24/215  
D606,247 S \* 12/2009 Yu ..... D28/13

D609,817 S \* 2/2010 Piller ..... D24/215  
D843,656 S \* 3/2019 Zhang ..... D28/44.1  
D855,822 S \* 8/2019 Marton ..... D24/215  
D863,571 S \* 10/2019 Yang ..... D24/200  
2019/0254921 A1\* 8/2019 Marton ..... A61H 23/0254

**OTHER PUBLICATIONS**

Massage Gun. Date: Nov. 18, 2019. [online]. [Site visited Jun. 7, 2021], Available from Internet URL: <https://www.amazon.co.uk/dp/B081NGRF2L/>(Year: 2019).\*

Massage guns. (Design—© Questel) orbit.com. [Online PDF compilation of references] 8 pgs. Print Dates Range Jul. 9, 2019-Aug. 16, 2019 [Retrieved Jun. 4, 2021] <https://www.orbit.com/export/UCZAH96B/pdf4/38db6f04-863d-4212-bfd7-86e782c6549a-155315.pdf> (Year: 2021).\*

\* cited by examiner

*Primary Examiner* — Susan Bennett Hattan

*Assistant Examiner* — Landon Thomas Cassell

(74) *Attorney, Agent, or Firm* — W&KIP

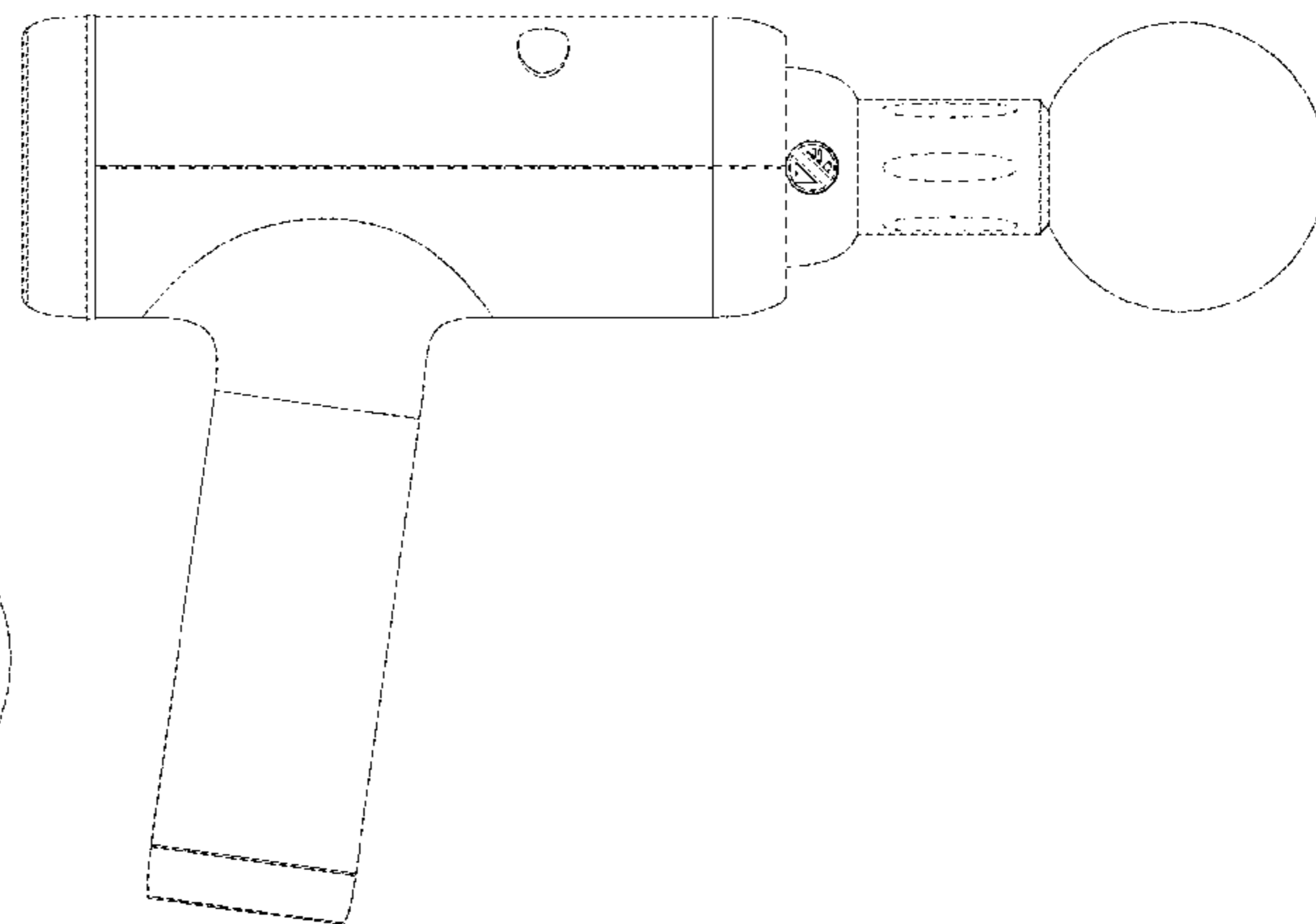
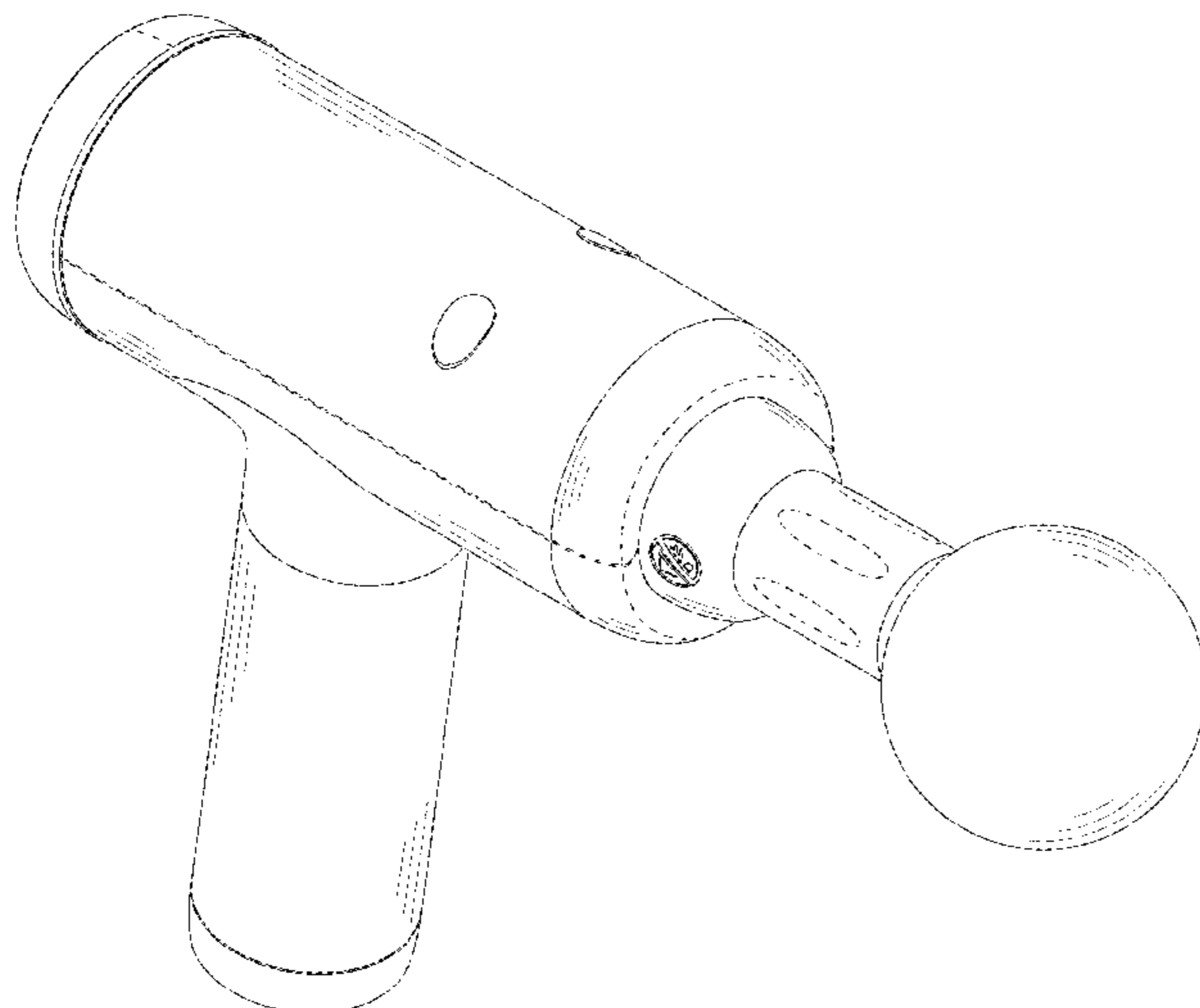
(57) **CLAIM**

The ornamental design for a massage appliance, as shown and described.

**DESCRIPTION**

FIG. 1 is a perspective view of a massage appliance showing my new design;  
FIG. 2 is a front view thereof;  
FIG. 3 is a top view thereof;  
FIG. 4 is a left side elevational view thereof;  
FIG. 5 is a rear view thereof;  
FIG. 6 is a right side elevational view thereof; and,  
FIG. 7 is a bottom view thereof.  
The broken lines where present depict portions of the massage appliance that form no part of the claimed design.

**1 Claim, 7 Drawing Sheets**



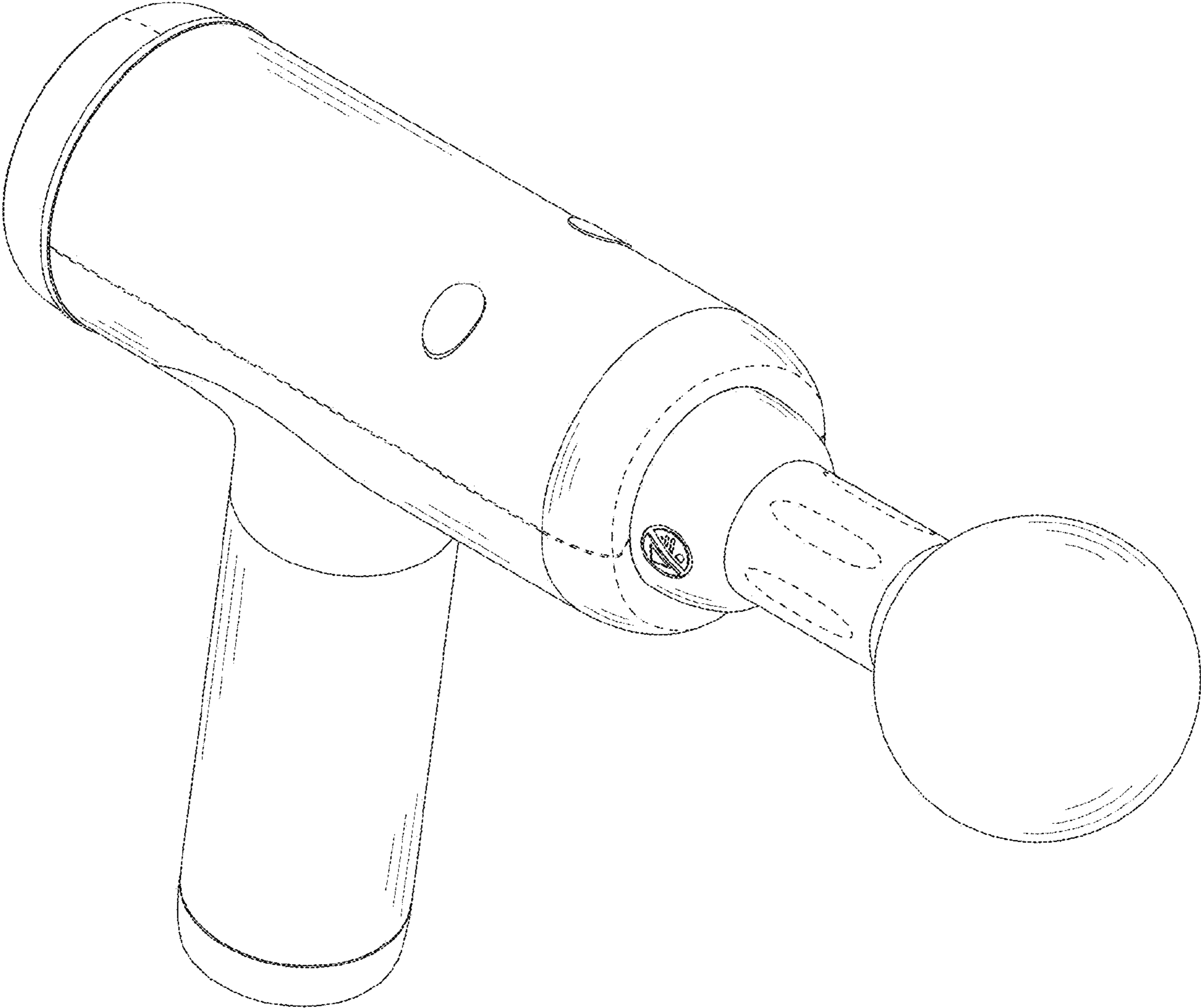


FIG. 1

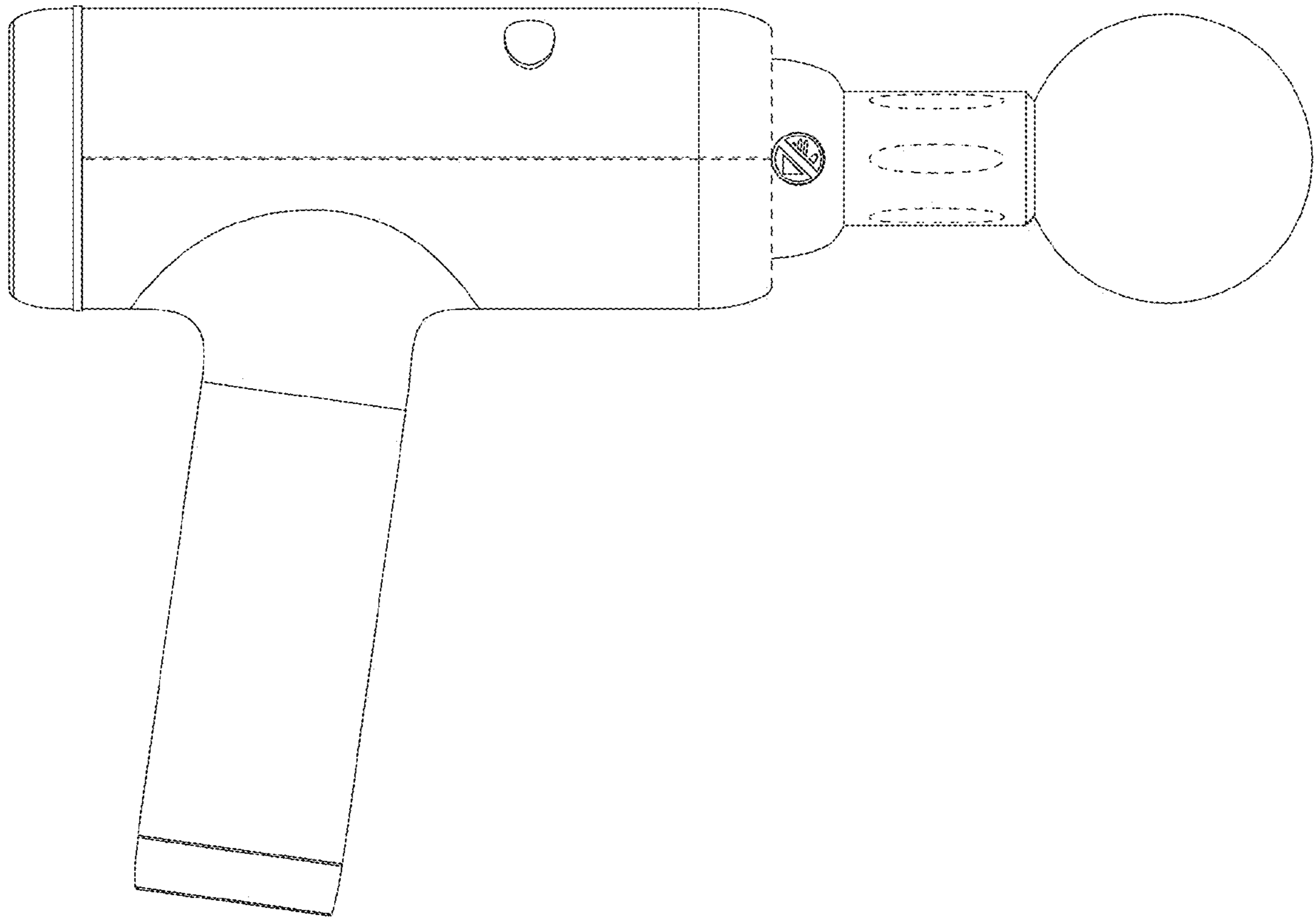


FIG. 2

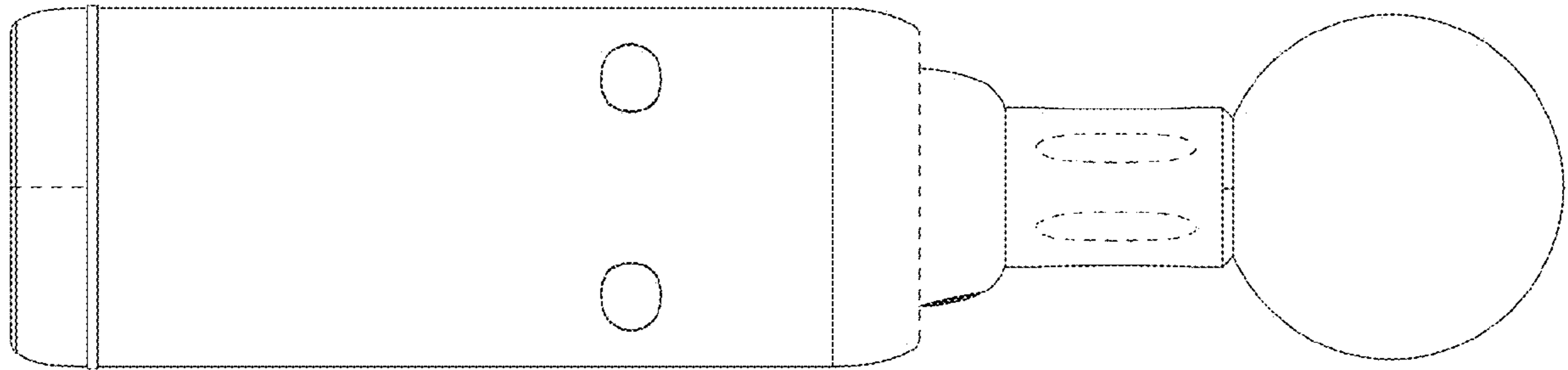


FIG. 3

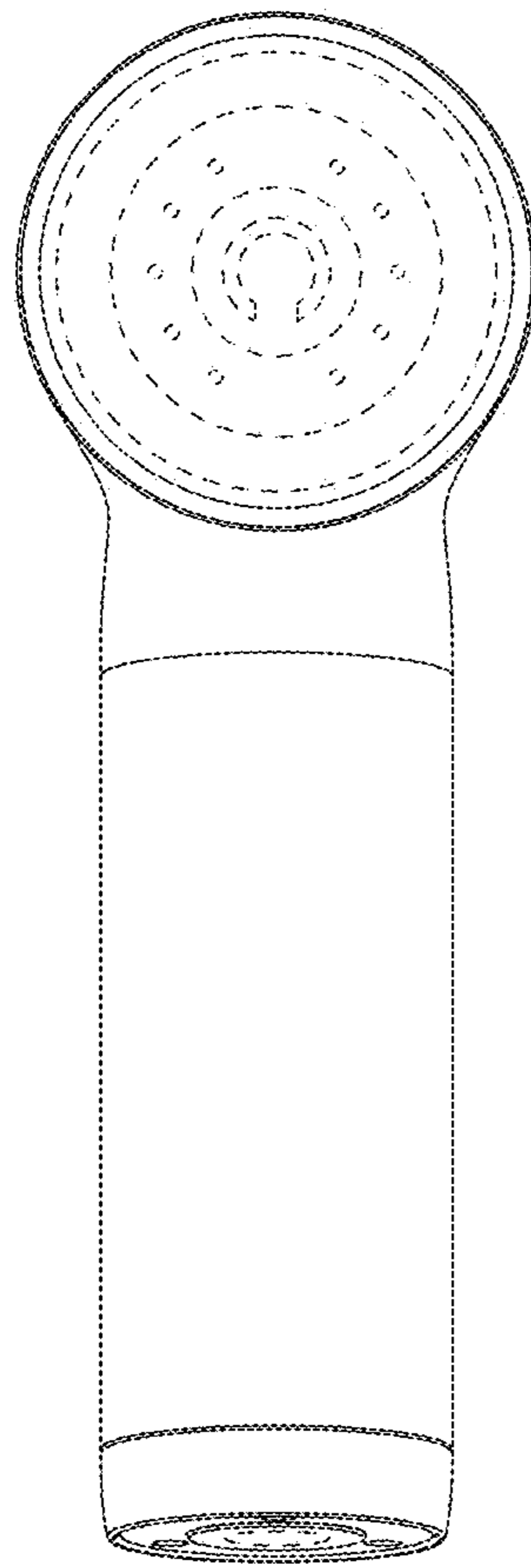


FIG. 4

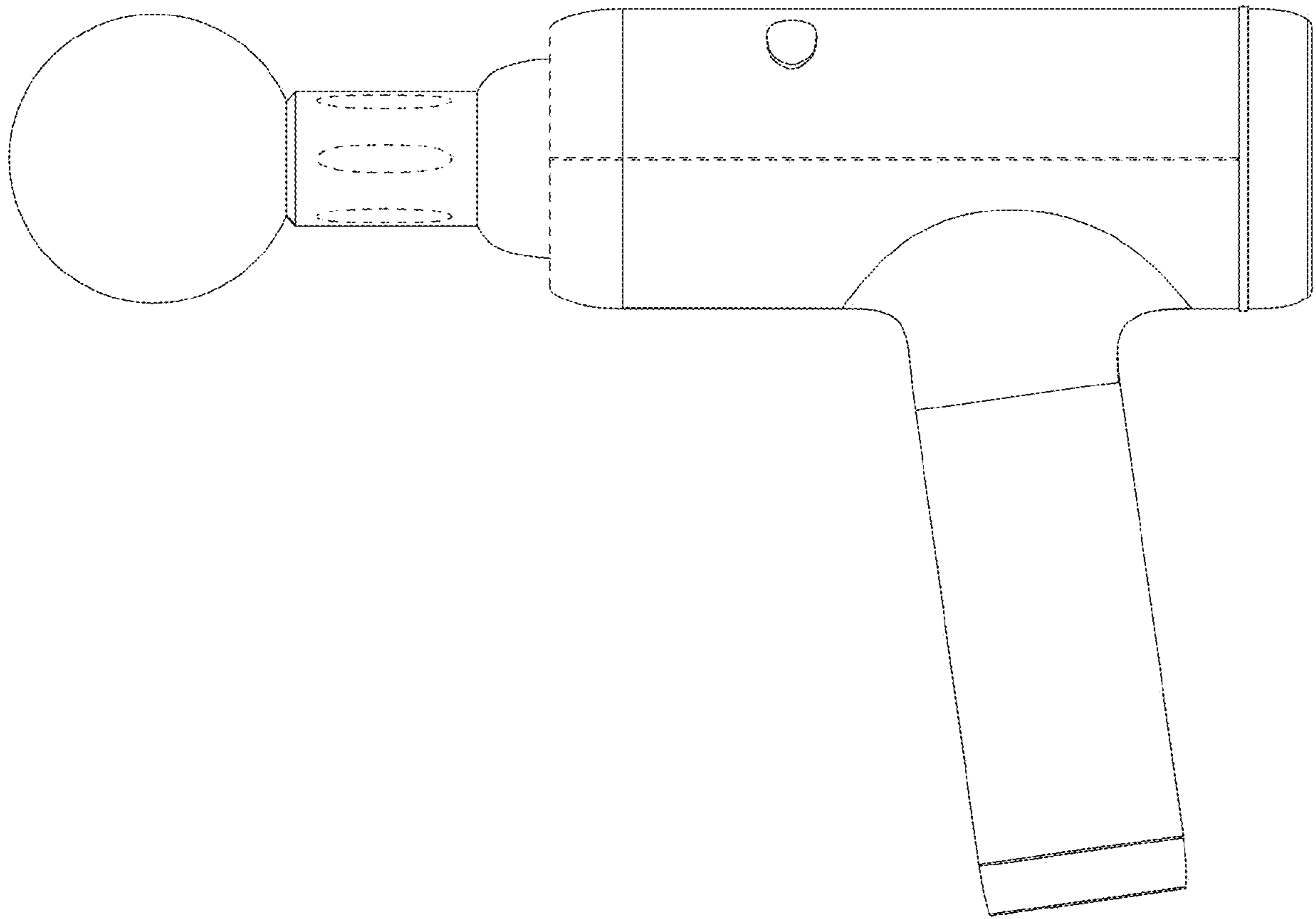


FIG. 5

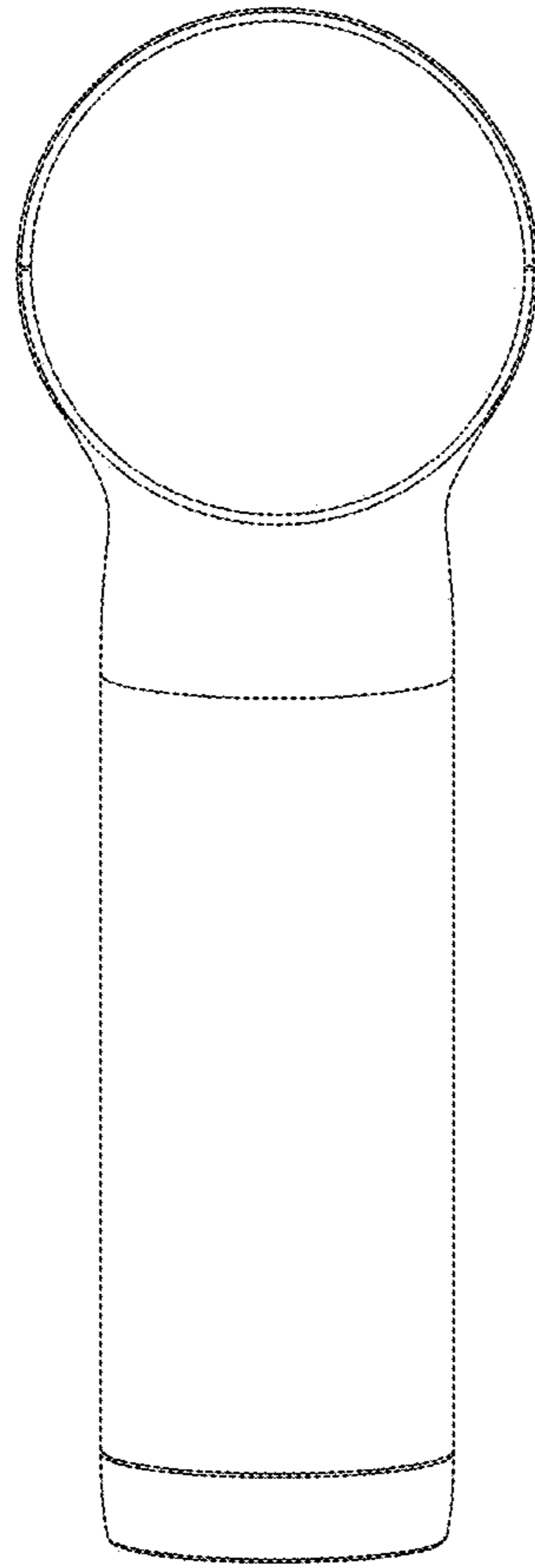


FIG. 6

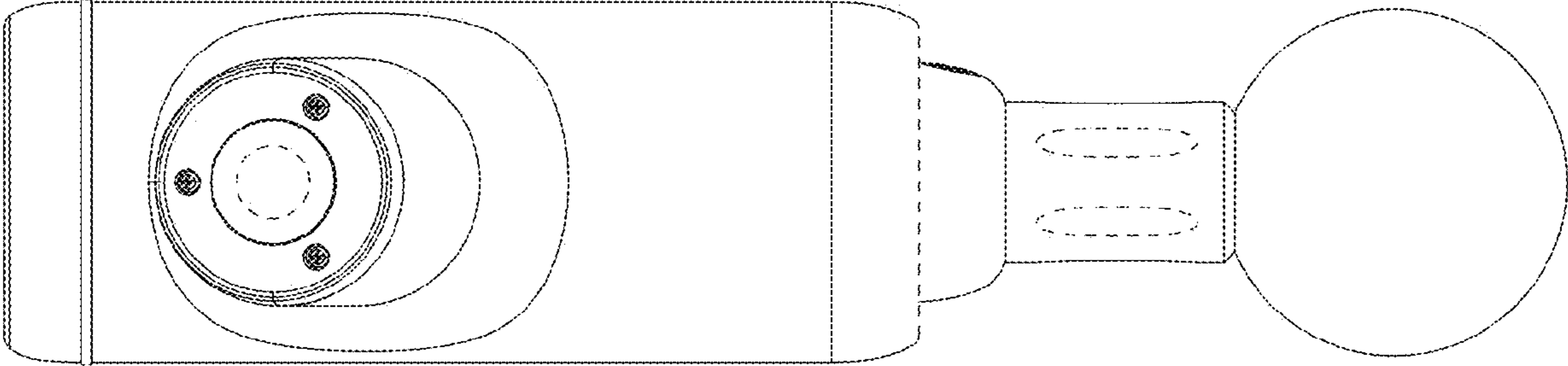


FIG. 7