



US00D952172S

(12) **United States Design Patent** (10) **Patent No.:** **US D952,172 S**
Scicluna (45) **Date of Patent:** **** May 17, 2022**

- (54) **UPPER ARM MEDICAL REHABILITATION DEVICE**
- (71) Applicant: **All Better Creations, LLC**,
Sacramento, CA (US)
- (72) Inventor: **Zachary Scicluna**, Sacramento, CA
(US)
- (73) Assignee: **ALL BETTER CREATIONS, LLC**,
Sacramento, CA (US)
- (**) Term: **15 Years**
- (21) Appl. No.: **29/741,622**
- (22) Filed: **Jul. 14, 2020**
- (51) **LOC (13) Cl.** **28-03**
- (52) **U.S. Cl.**
USPC **D24/211; D21/662**
- (58) **Field of Classification Search**
USPC D24/188-190, 133, 200, 211-215;
D21/684, 662, 667, 677
CPC A63B 21/4039; A61H 2015/0014; A61H
15/0092; A61H 2205/081; A61H 2205/04;
A61H 2015/0007
See application file for complete search history.

(56) **References Cited**

U.S. PATENT DOCUMENTS

2,208,049	A *	7/1940	Pajeau	A63H 33/102 446/102
3,616,794	A *	11/1971	Gromala	A61H 15/0092 601/120
5,261,866	A	11/1993	Mattox		
D422,038	S *	3/2000	Iannetta	D21/662
D456,864	S *	5/2002	Dantolan	D21/662
7,175,573	B1	2/2007	Huang		
D648,034	S *	11/2011	Rice	D24/215
D679,347	S *	4/2013	Frederick	D21/662
D688,756	S *	8/2013	Wauldron	D21/662

D700,346	S *	2/2014	Palizzi	D24/211
8,894,555	B2 *	11/2014	Colledge	A63B 23/14 482/132
D731,009	S *	6/2015	Preston	D21/681
9,199,114	B1	12/2015	Santoro		
D754,868	S *	4/2016	Hendrickson	D24/211

(Continued)

OTHER PUBLICATIONS

EDX Ab Roller Wheel for Core Workout, Fitness, Exercise, Muscle Growth & Physical Therapy for Men & Women, EDX, [Post date: Jun. 13, 2019], [Site seen Jan. 6, 2022], Seen at URL: <https://www.amazon.com/EDX-Roller-Workout-Exercise-Equipment/dp/B07RXM6NXG?th=1> (Year: 2019).*

(Continued)

Primary Examiner — Natasha Vujcic
Assistant Examiner — Gilbert B Ford

(57) **CLAIM**

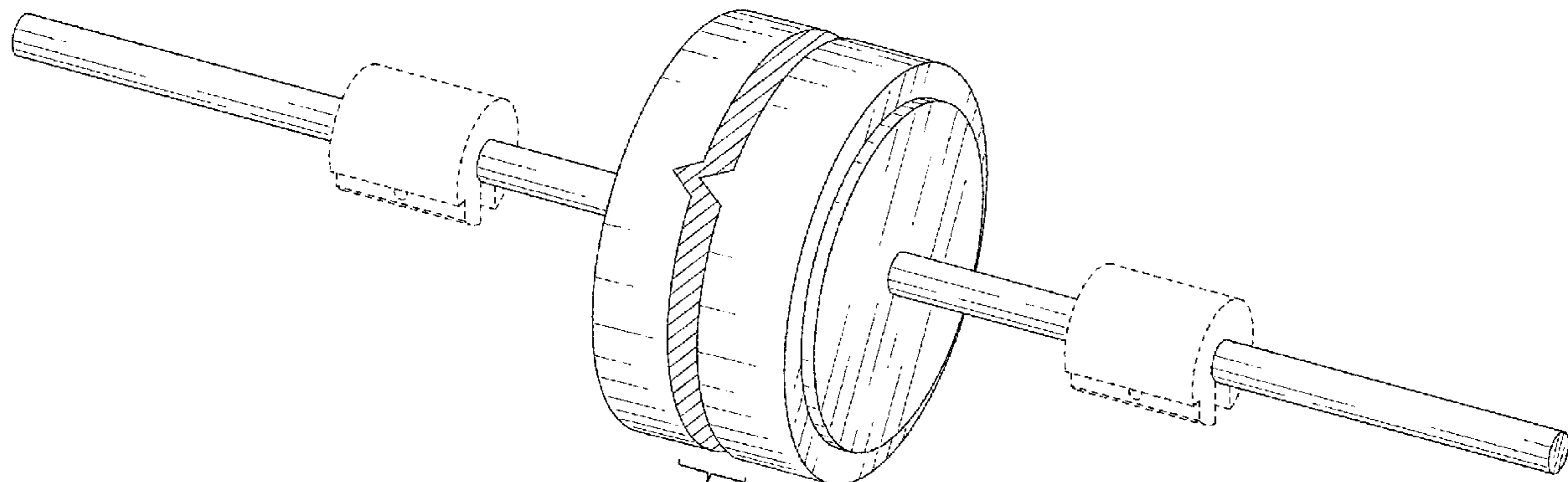
The ornamental design for an upper arm medical rehabilitation device, as shown and described.

DESCRIPTION

FIG. 1 is an isometric view of an upper arm medical rehabilitation device;
 FIG. 2 is a front plan view thereof;
 FIG. 3 is a rear plan view thereof;
 FIG. 4 is a top plan view thereof;
 FIG. 5 is a bottom plan view thereof;
 FIG. 6 is a right-side plan view thereof; and,
 FIG. 7 is a left-side view thereof.

The broken lines showing a set of wheel guide in FIG. 1 through 7 are included for the purpose of showing environmental structure and form no part of the claimed design. The break lines in the drawings indicate that the appearance of any portion of the upper arm medical rehabilitation device between the break lines forms no part of the claimed design.

1 Claim, 7 Drawing Sheets



(56)

References Cited

U.S. PATENT DOCUMENTS

D827,846	S *	9/2018	De Nitto	D24/211
D840,045	S *	2/2019	Merkel	D24/211
D858,779	S *	9/2019	Durfee	D24/190
D930,765	S *	9/2021	Ehtesham	D21/684
2004/0198563	A1	10/2004	Howell	
2011/0313333	A1 *	12/2011	Nicholson	A61H 15/0092 601/120
2013/0138024	A1 *	5/2013	Jennings	A61H 15/0092 601/119
2015/0182792	A1	7/2015	MacColl	
2017/0080271	A1 *	3/2017	Miller	A63B 21/068
2018/0263843	A1 *	9/2018	Chen	A61H 15/02
2018/0326254	A1 *	11/2018	Earls	A63B 26/003
2019/0030391	A1	1/2019	Chuang	
2019/0134447	A1	5/2019	Chiang	
2019/0336387	A1 *	11/2019	Daley	A63B 23/1236
2021/0113423	A1 *	4/2021	Kim	A63B 21/00

OTHER PUBLICATIONS

Ntilog Massage Stick Roller, Multifunctional Body Muscle Massager, Antilog, [Post Date: Dec. 9, 2019], [Site seen Jan. 6, 2022], Seen at URL: https://www.amazon.com/Antilog-Massage-Multifunctional-Massager-Myofascial/dp/B07VP3WRDZ/ref=pd_Ipo_1 (Year: 2019).*

* cited by examiner

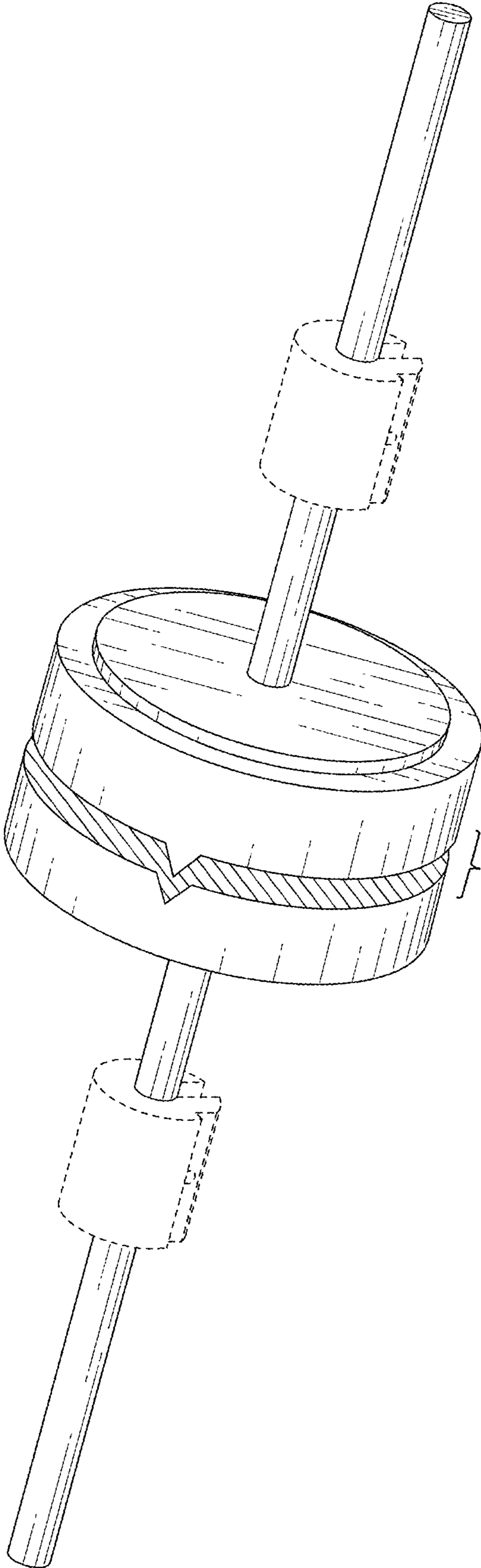


FIG. 1

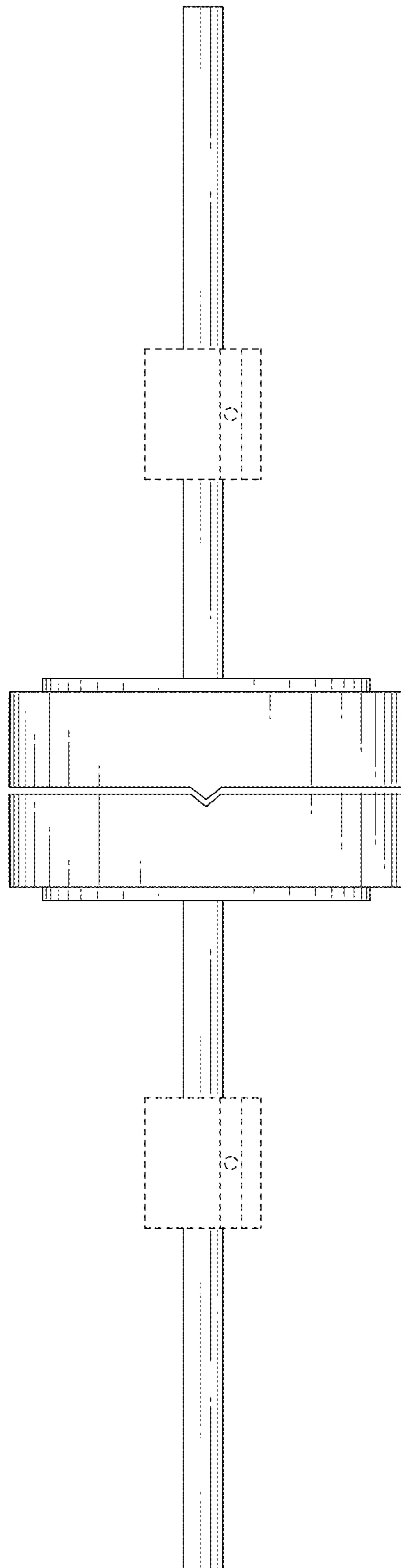


FIG. 2

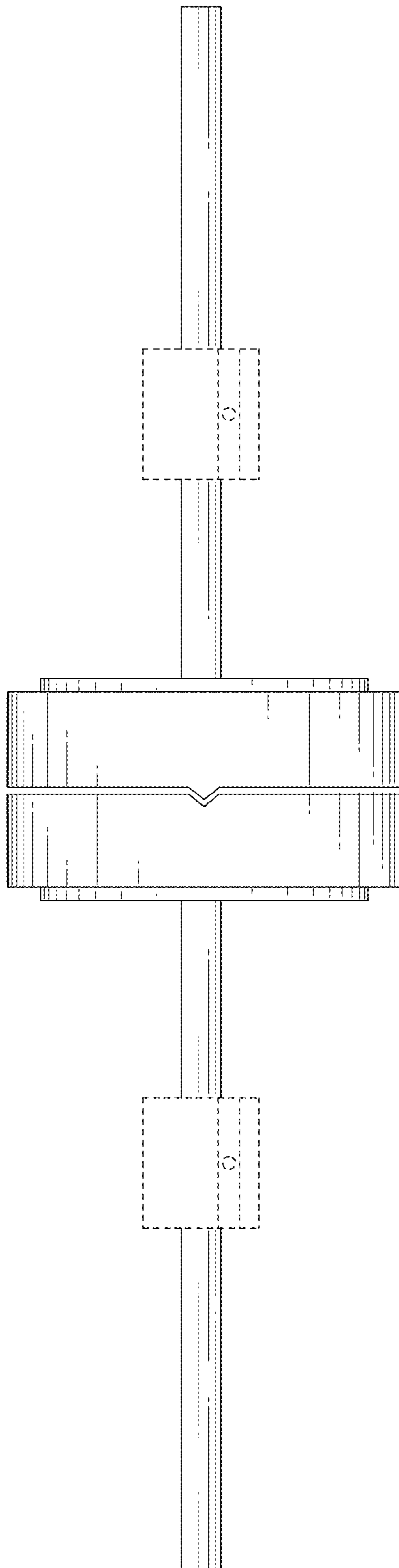


FIG. 3

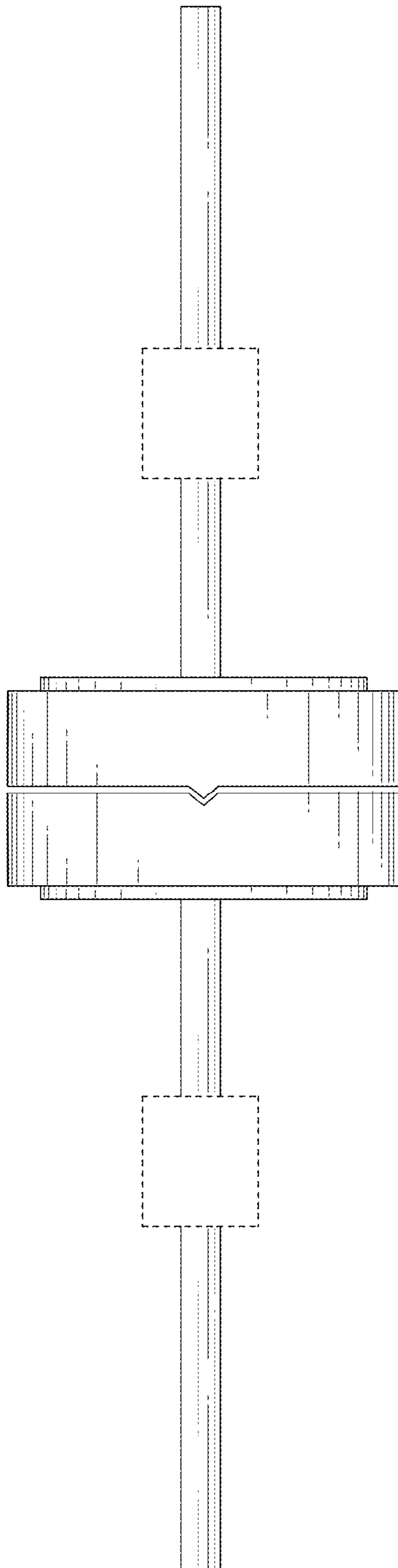


FIG. 4

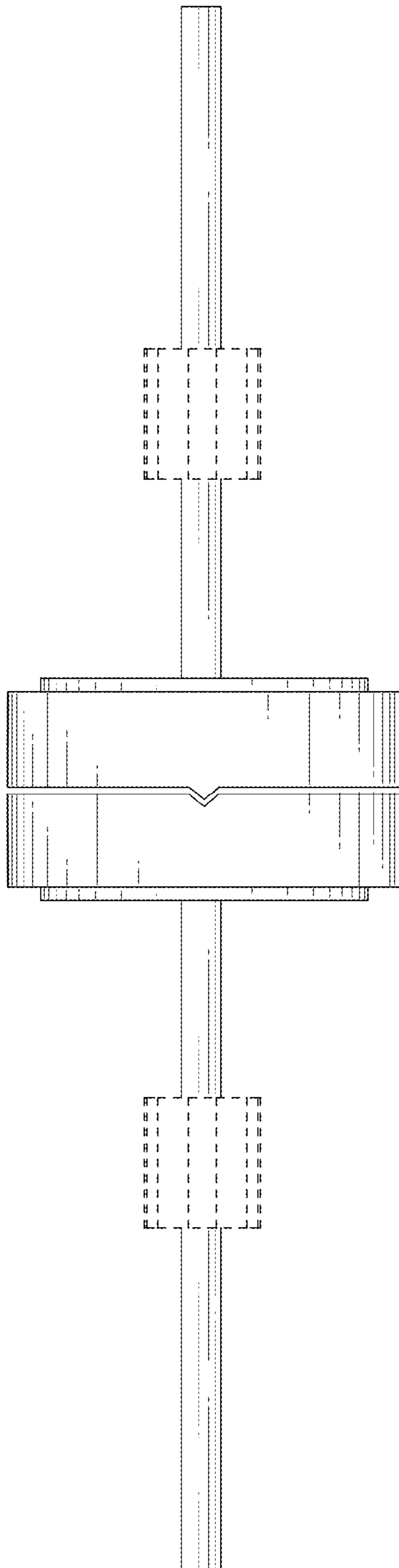


FIG. 5

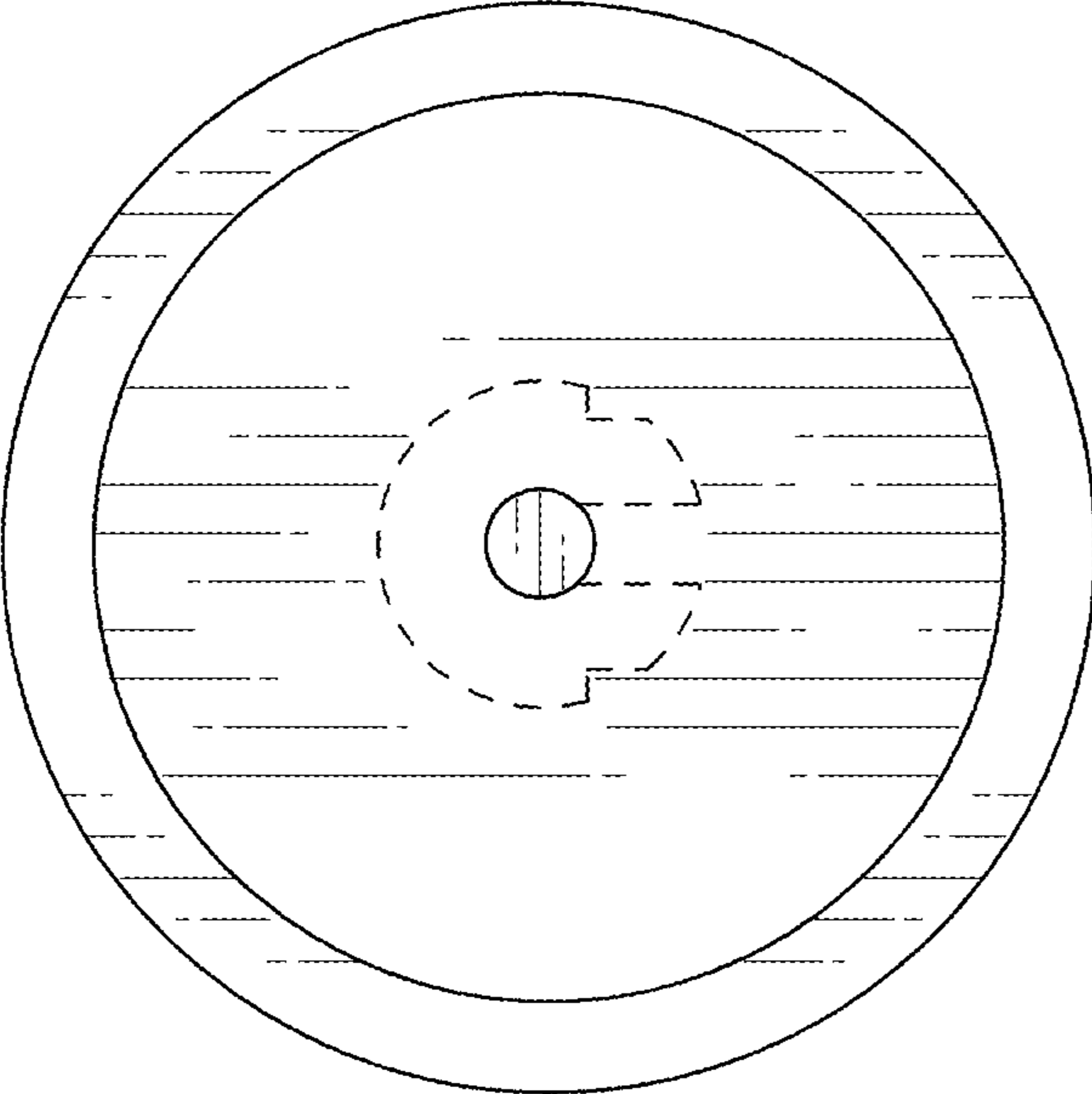


FIG. 6

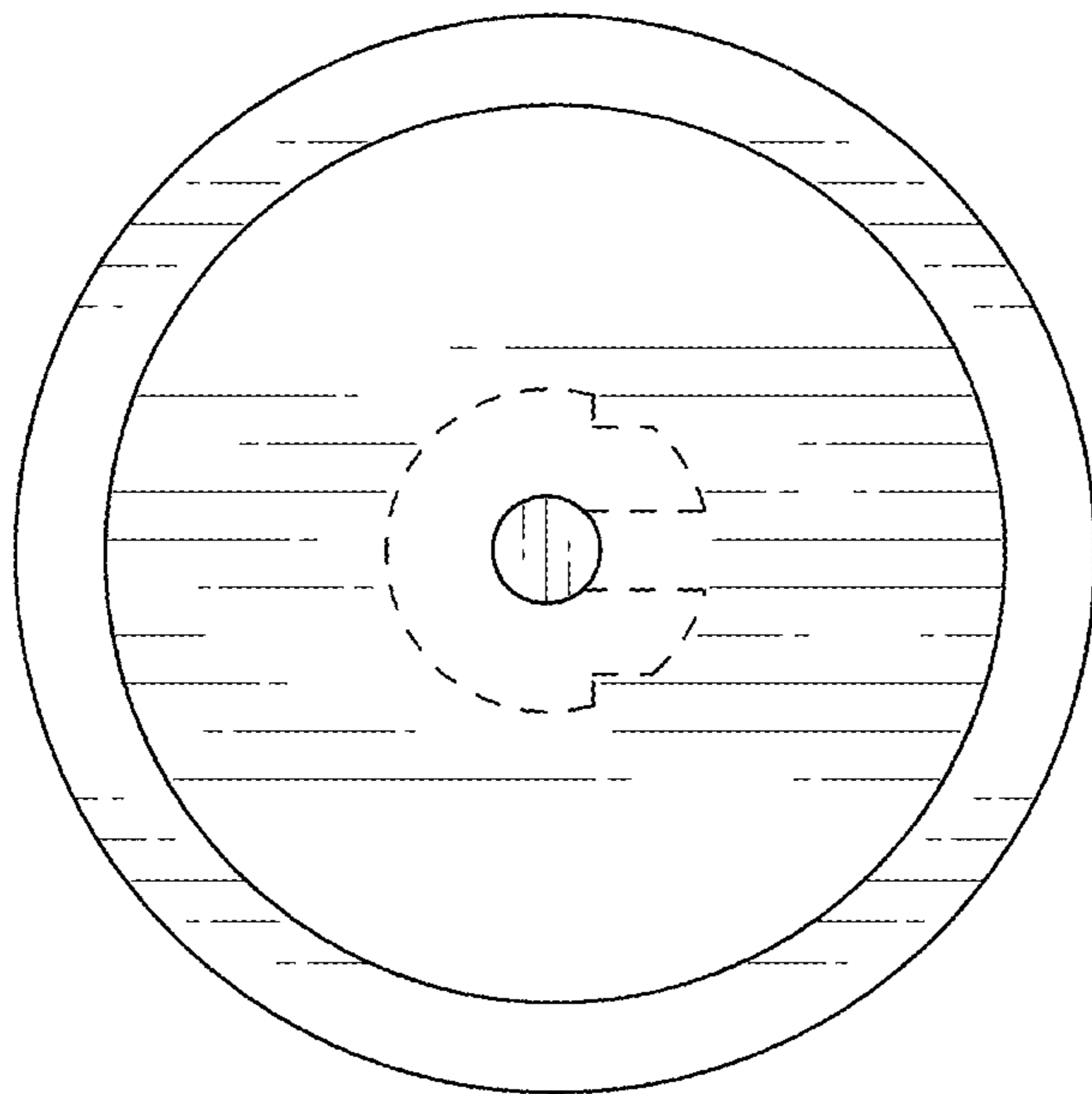


FIG. 7