



US00D952171S

(12) **United States Design Patent** (10) **Patent No.:** **US D952,171 S**
Emerson et al. (45) **Date of Patent:** **** May 17, 2022**

(54) **ORAL ILLUMINATION DEVICE**
(71) Applicant: **KNOW Bio, LLC**, Durham, NC (US)
(72) Inventors: **David T. Emerson**, Durham, NC (US);
James Michael Lay, Apex, NC (US);
Michael John Bergmann, Atlanta, GA
(US); **Thomas Matthew Womble**,
Wake Forest, NC (US)

D909,594 S * 2/2021 Kothari D24/209
D933,839 S * 10/2021 Ou D24/200
11,147,984 B2 * 10/2021 Emerson A61N 5/0624
D940,312 S * 1/2022 Heine D24/133
D941,511 S * 1/2022 Li D26/37
2008/0294227 A1 * 11/2008 Perez A61N 5/0624
607/90
2018/0256916 A1 * 9/2018 Kothari A61N 5/0603
2021/0290975 A1 * 9/2021 Hunter A61N 5/0624

(73) Assignee: **KNOW Bio, LLC**, Durham, NC (US)
(**) Term: **15 Years**

OTHER PUBLICATIONS
Notice of Allowance for U.S. Appl. No. 29/757,911, dated Mar. 10,
2022, 17 pages.

(21) Appl. No.: **29/780,830**
(22) Filed: **Apr. 27, 2021**
(51) **LOC (13) Cl.** **28-03**
(52) **U.S. Cl.**
USPC **D24/209**; D24/152
(58) **Field of Classification Search**
USPC D24/200, 209, 210, 215, 133, 137, 152,
D24/176; D26/37
CPC A61N 5/0603; A61N 5/0624; A61N
2005/0606; A61N 2005/0644; A61N
2005/0659; A61N 2005/0662
See application file for complete search history.

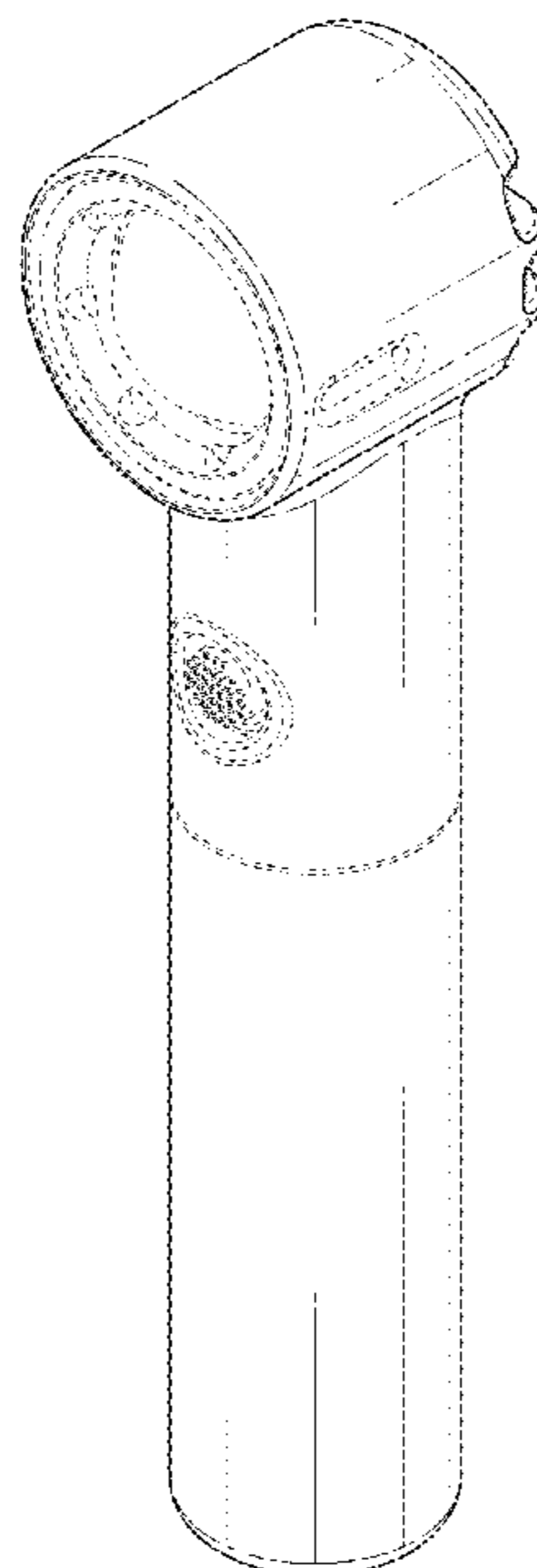
* cited by examiner
Primary Examiner — Anhdao Doan
(74) *Attorney, Agent, or Firm* — Withrow & Terranova,
P.L.L.C.

(56) **References Cited**
U.S. PATENT DOCUMENTS
D495,799 S * 9/2004 Hirsch D24/152
D597,206 S * 7/2009 Collins, Jr. D24/150
D609,361 S * 2/2010 McGarry D24/209
D692,135 S * 10/2013 McHale D24/152
D864,401 S * 10/2019 Valdivia Tor D24/200
D884,202 S * 5/2020 Goodson D24/209
D884,942 S * 5/2020 Sharrah D26/37
D908,160 S * 1/2021 Sun D16/208
D908,890 S * 1/2021 Demarest D24/176

(57) **CLAIM**
The ornamental design for an oral illumination device, as
shown and described.

DESCRIPTION
FIG. 1 is a front perspective view of an oral illumination
device;
FIG. 2 is a front view thereof;
FIG. 3 is a back view thereof;
FIG. 4 is a side view thereof;
FIG. 5 is an opposing side view thereof;
FIG. 6 is a top view thereof;
FIG. 7 is a bottom view thereof; and,
FIG. 8 is a back perspective view thereof.
The broken lines shown in the drawings depict portions of
the oral illumination device that form no part of the claimed
design.

1 Claim, 7 Drawing Sheets



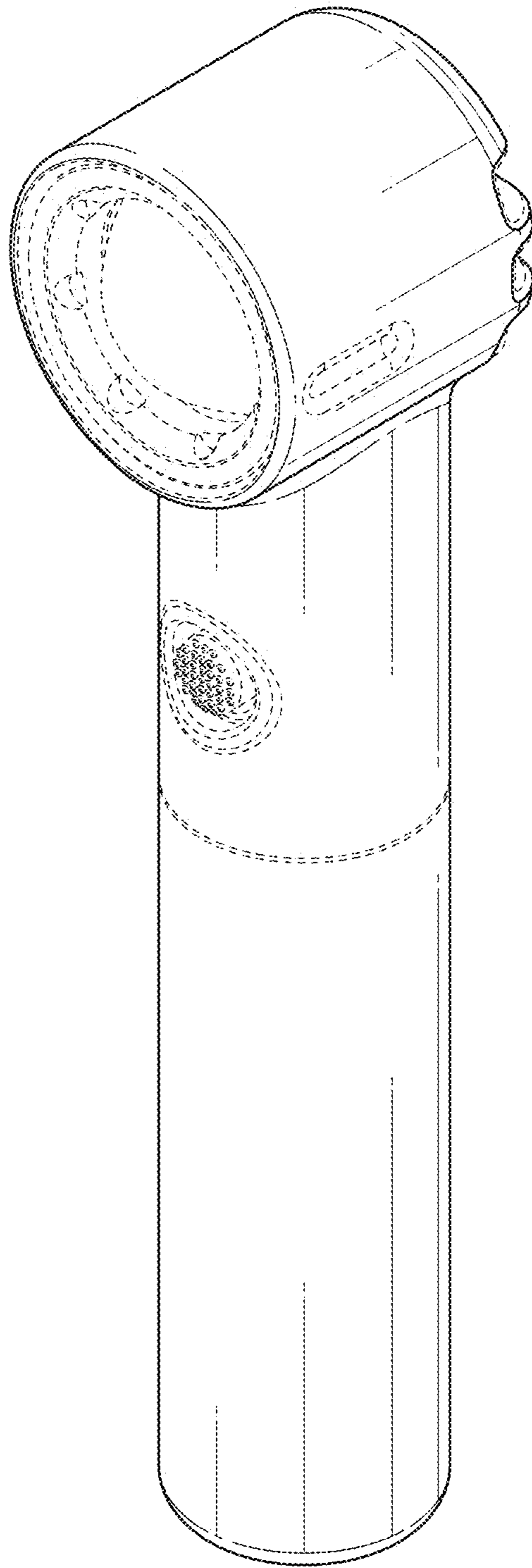


FIG. 1

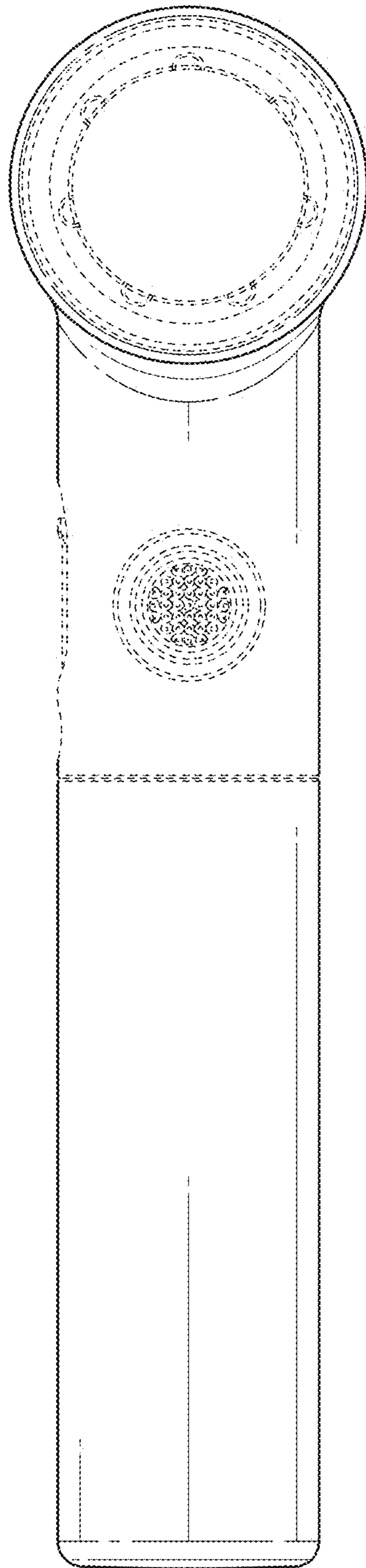


FIG. 2

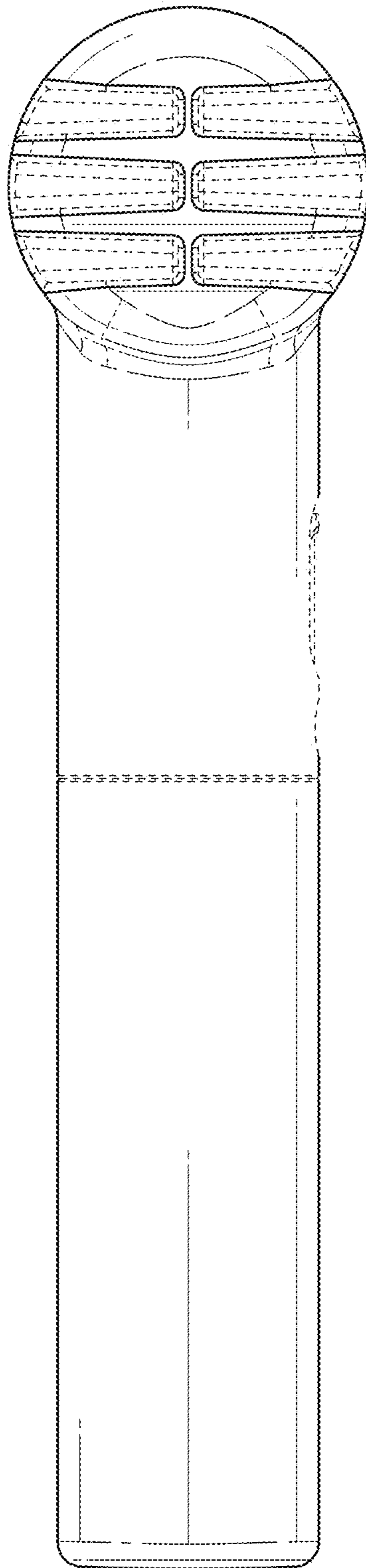


FIG. 3

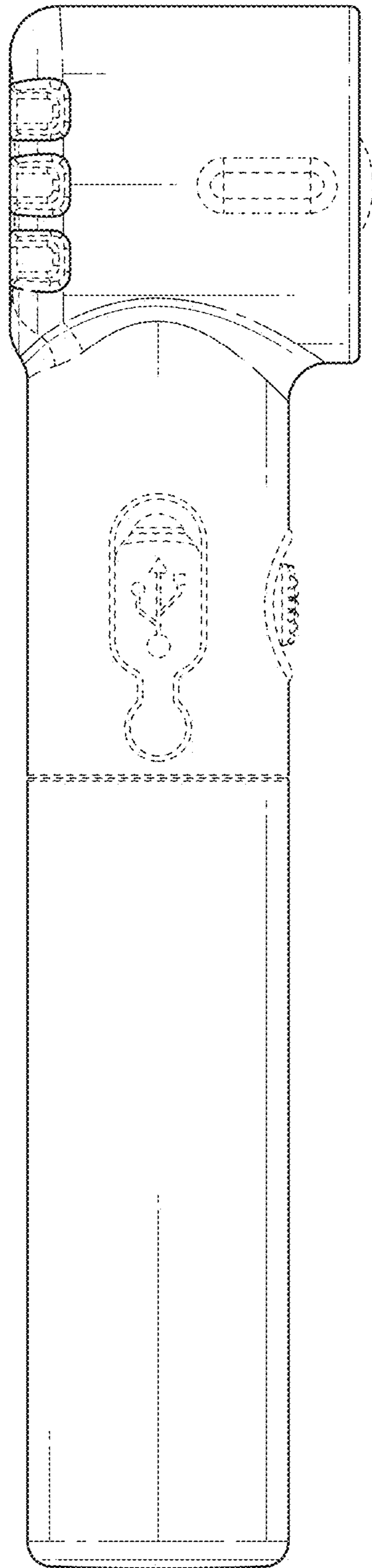


FIG. 4

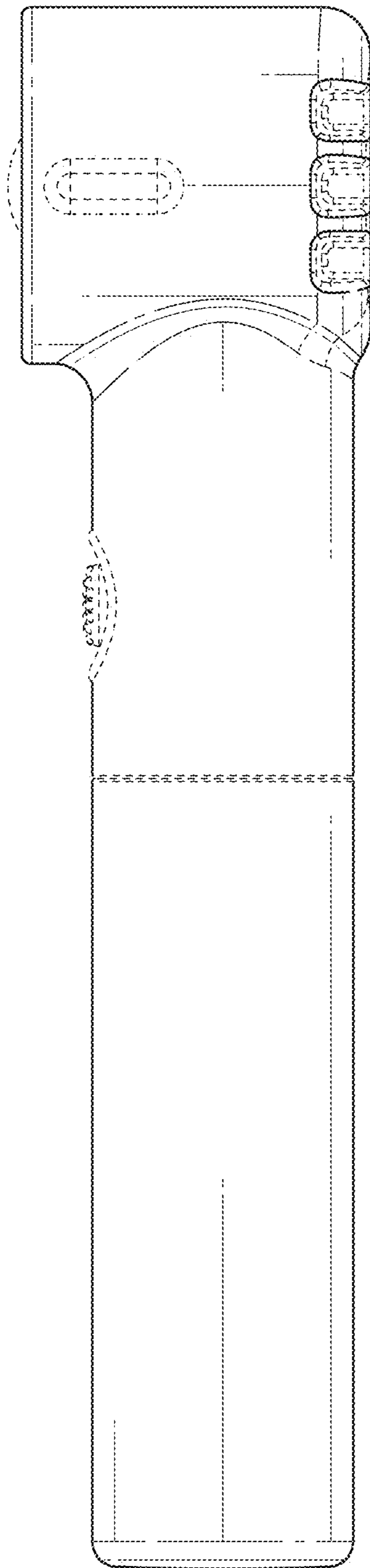


FIG. 5

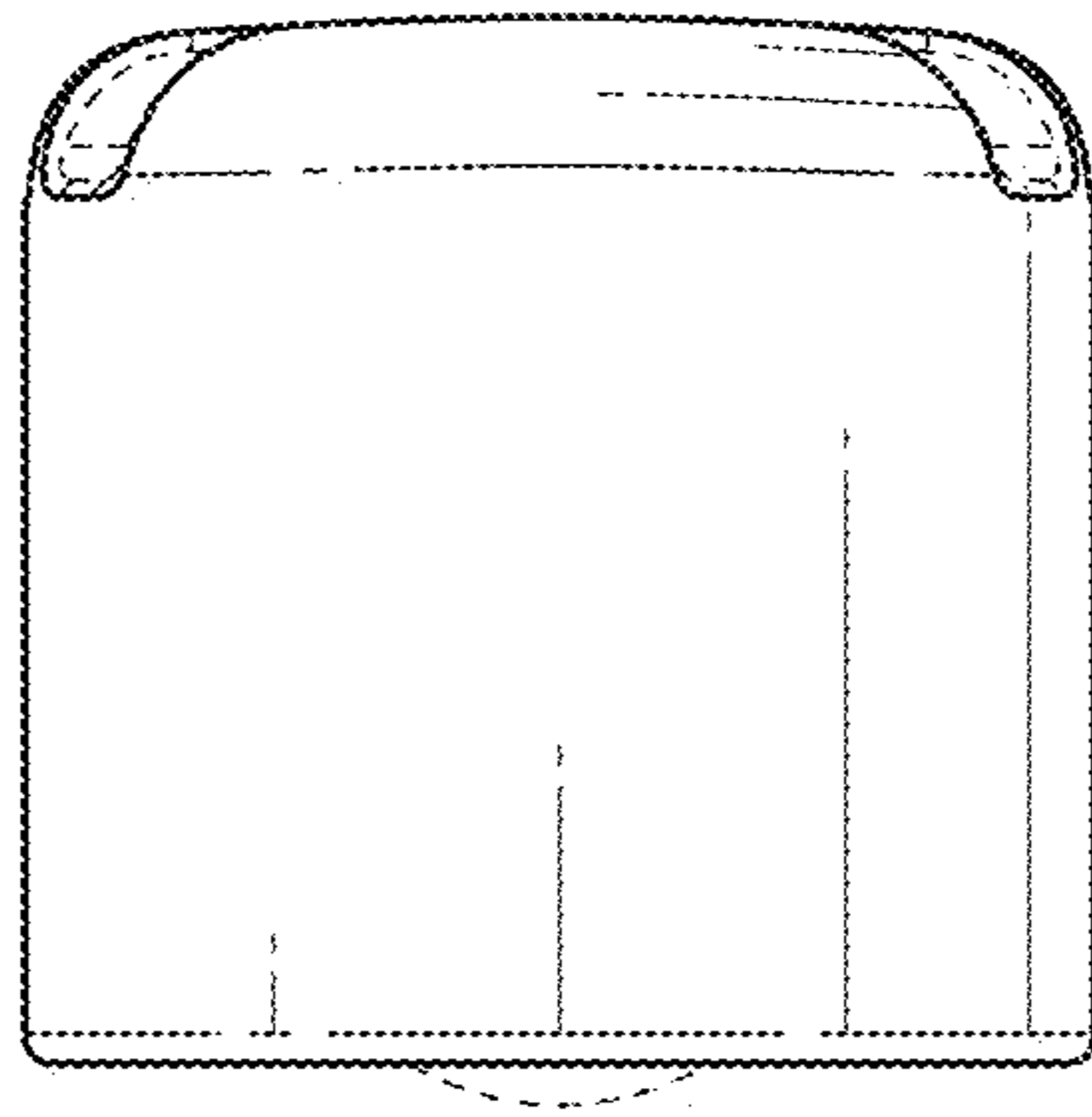


FIG. 6

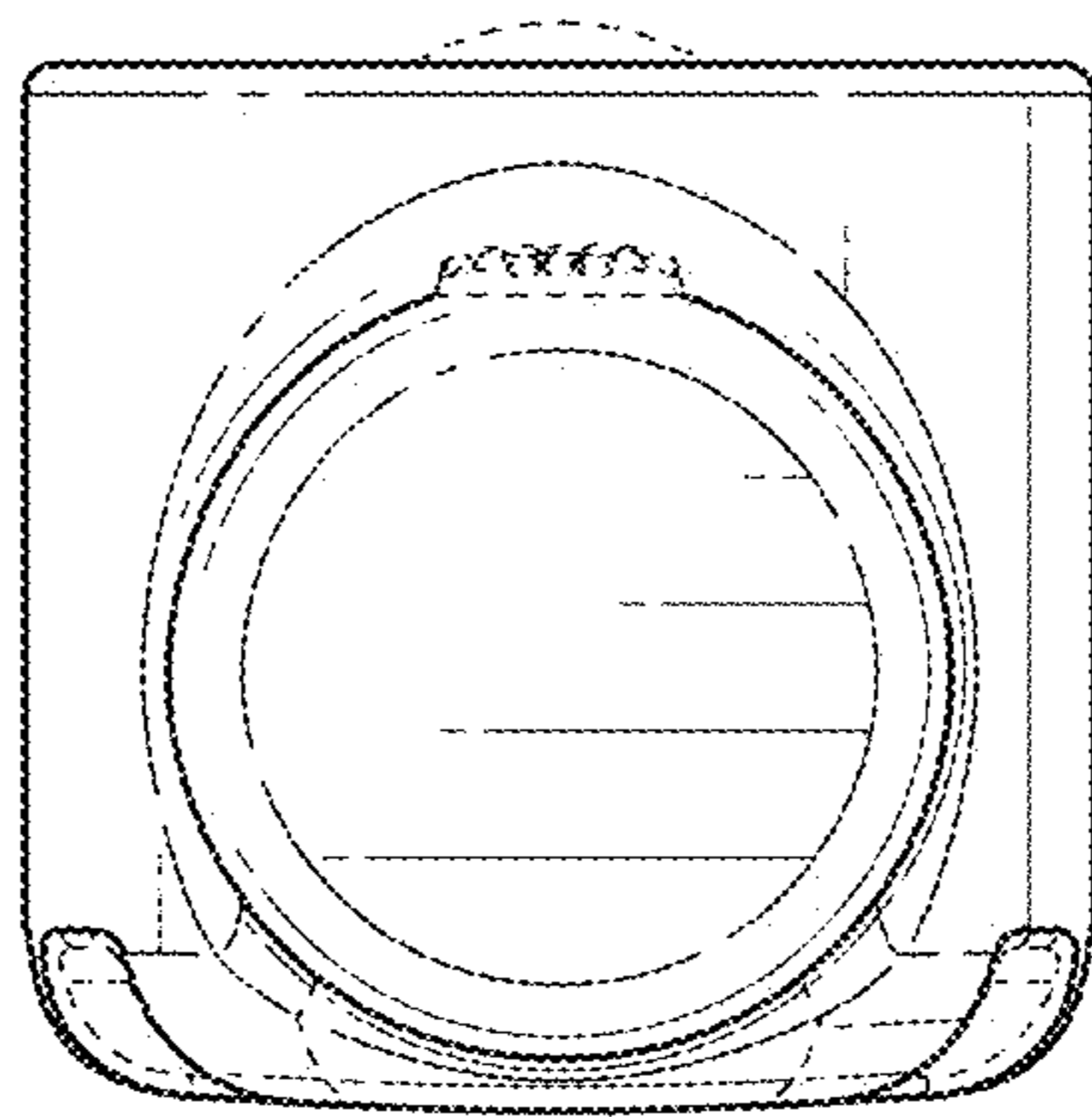


FIG. 7

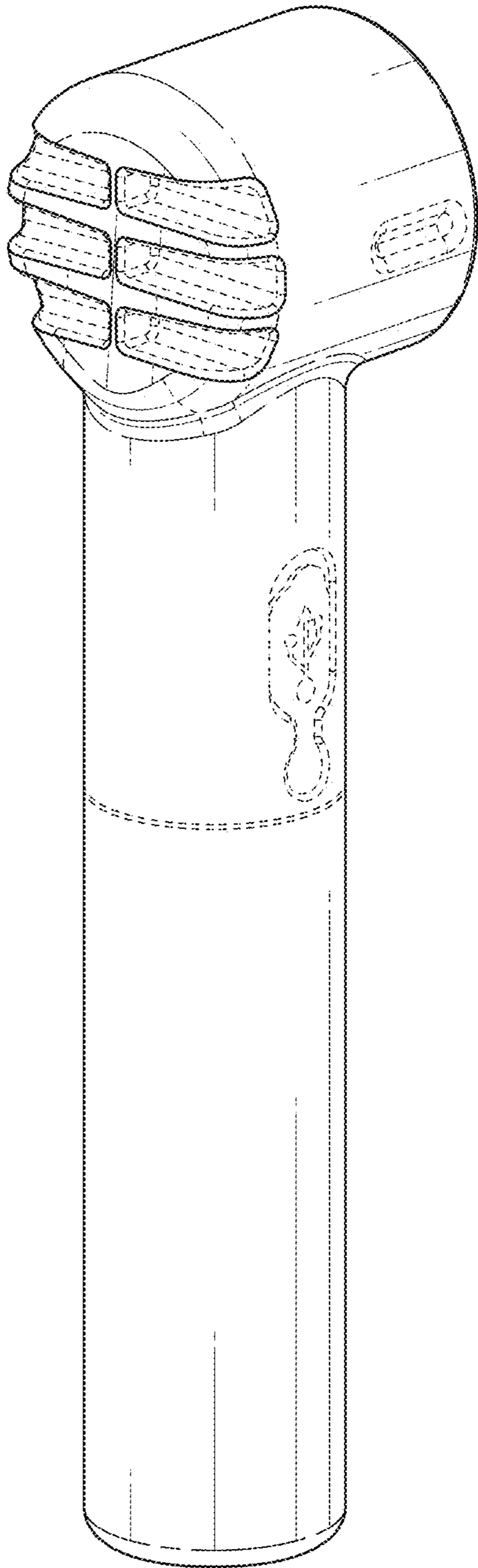


FIG. 8