



US00D952167S

(12) **United States Design Patent**
Onarheim

(10) **Patent No.:** **US D952,167 S**
(45) **Date of Patent:** **** May 17, 2022**

- (54) **WEARABLE STIMULATION DEVICE**
- (71) Applicant: **RPW Technology, LLC**, Ossining, NY (US)
- (72) Inventor: **Balder Haraldsson Onarheim**, Copenhagen (DK)
- (73) Assignee: **RPW Technology, LLC**, Ossining, NY (US)
- (**) Term: **15 Years**
- (21) Appl. No.: **29/772,394**
- (22) Filed: **Mar. 1, 2021**

D821,595 S	6/2018	Ito et al.	
D821,596 S	6/2018	Ito et al.	
D859,673 S	9/2019	Ito et al.	
11,110,267 B2 *	9/2021	Samejima	A61N 1/3603
2017/0188872 A1 *	7/2017	Hughes	A61B 5/364
2017/0224990 A1 *	8/2017	Goldwasser	A61N 1/0456
2021/0178159 A1 *	6/2021	Mason	A61N 1/0456

* cited by examiner

Primary Examiner — Wan Laymon

(74) *Attorney, Agent, or Firm* — Foley & Lardner LLP

(57) **CLAIM**

I claim the ornamental design for a wearable stimulation device, as shown and described.

DESCRIPTION

FIG. 1 is a perspective view of a wearable stimulation device of the claimed design;
 FIG. 2 is a front view of the claimed design shown in FIG. 1;
 FIG. 3 is a rear view of the claimed design shown in FIG. 1;
 FIG. 4 is a left side view of the claimed design shown in FIG. 1;
 FIG. 5 is a right side view of the claimed design shown in FIG. 1;
 FIG. 6 is a bottom view of the claimed design shown in FIG. 1; and,
 FIG. 7 is a top view of the claimed design shown in FIG. 1.
 The ornamental design that is claimed is shown in the drawings as solid lines and surfaces having surface shading. The broken lines in the drawings are for illustrative purposes only and form no part of the claimed design. For example, broken lines formed by equal length dashes show unclaimed portions of the design. Broken lines formed of unequal length dashes (i.e., dash-dot) show boundaries between either claimed and unclaimed portions of the design or between unclaimed and unclaimed portions of the design.

Related U.S. Application Data

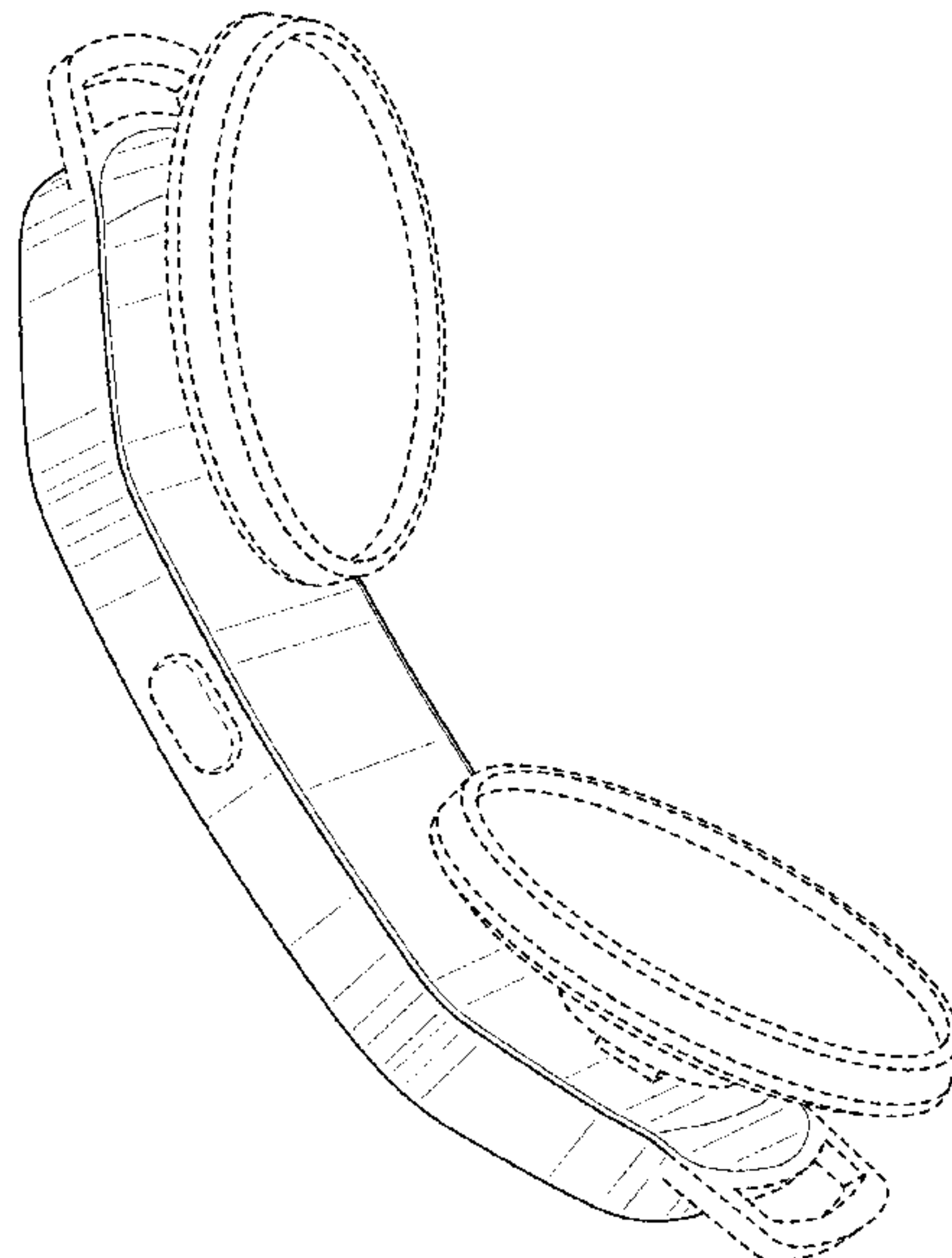
- (62) Division of application No. 29/690,709, filed on May 9, 2019, now Pat. No. Des. 915,610.
- (51) **LOC (13) Cl.** **28-03**
- (52) **U.S. Cl.**
USPC **D24/200**
- (58) **Field of Classification Search**
USPC D24/200, 185–187, 168; D8/354
CPC .. A61N 1/36; A61N 1/36014; A61N 1/36017;
A61N 1/36021; A61N 1/36057; A61N 1/3605;
A61N 1/36025; A61N 1/36003; A61N 1/04;
A61N 1/0404; A61N 1/0456; A61N 1/0452;
A61N 1/048; A61N 1/0492; A61N 1/36034; A61N 1/3606
See application file for complete search history.

(56) **References Cited**

U.S. PATENT DOCUMENTS

D645,968 S	9/2011	Kasabach et al.	
8,463,388 B2 *	6/2013	Wei	A61N 1/36021 607/46
9,440,070 B2 *	9/2016	Goldwasser	A61N 1/0456
9,861,818 B2 *	1/2018	Mason	A61N 1/0452

1 Claim, 7 Drawing Sheets



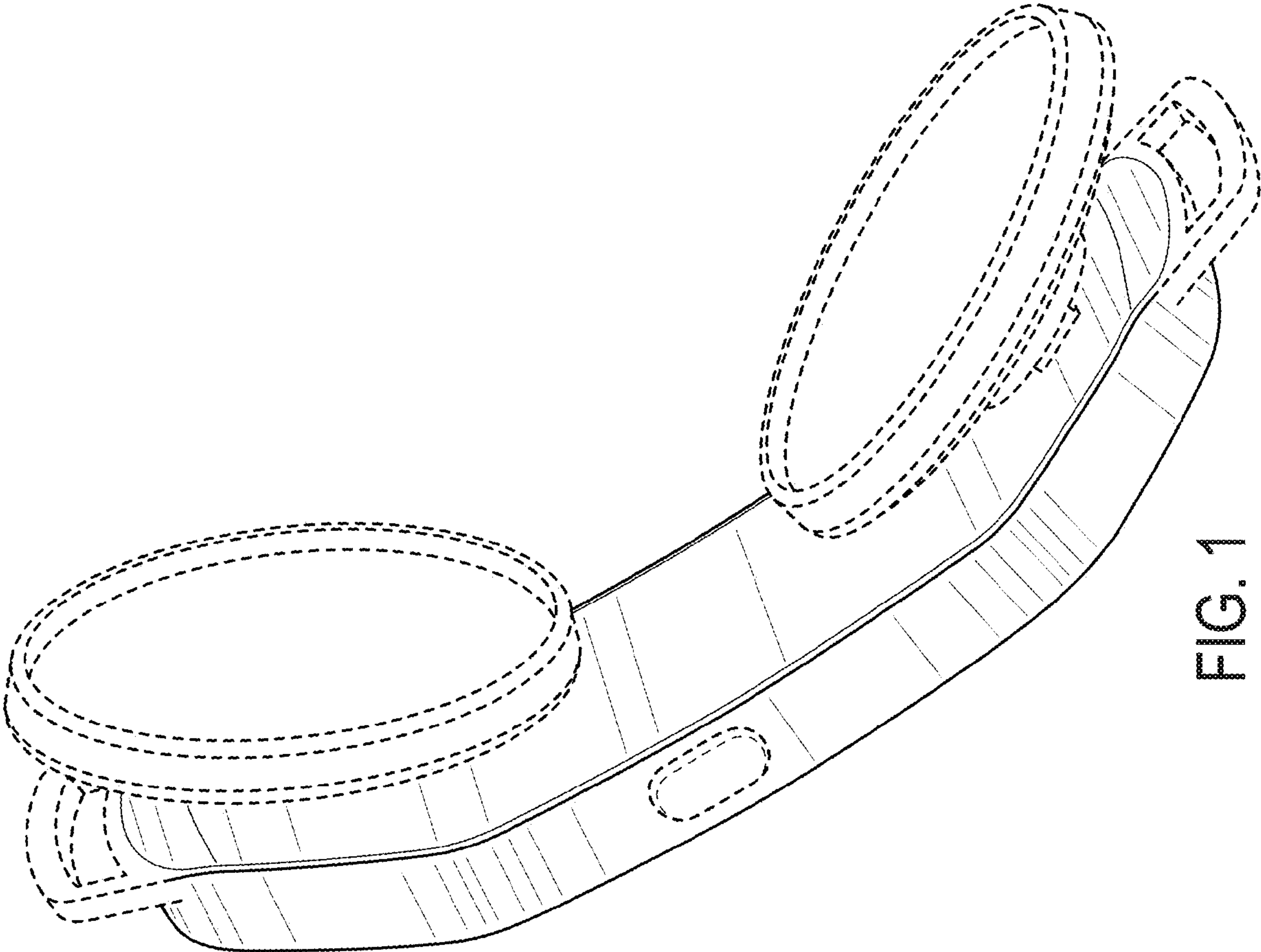


FIG. 1

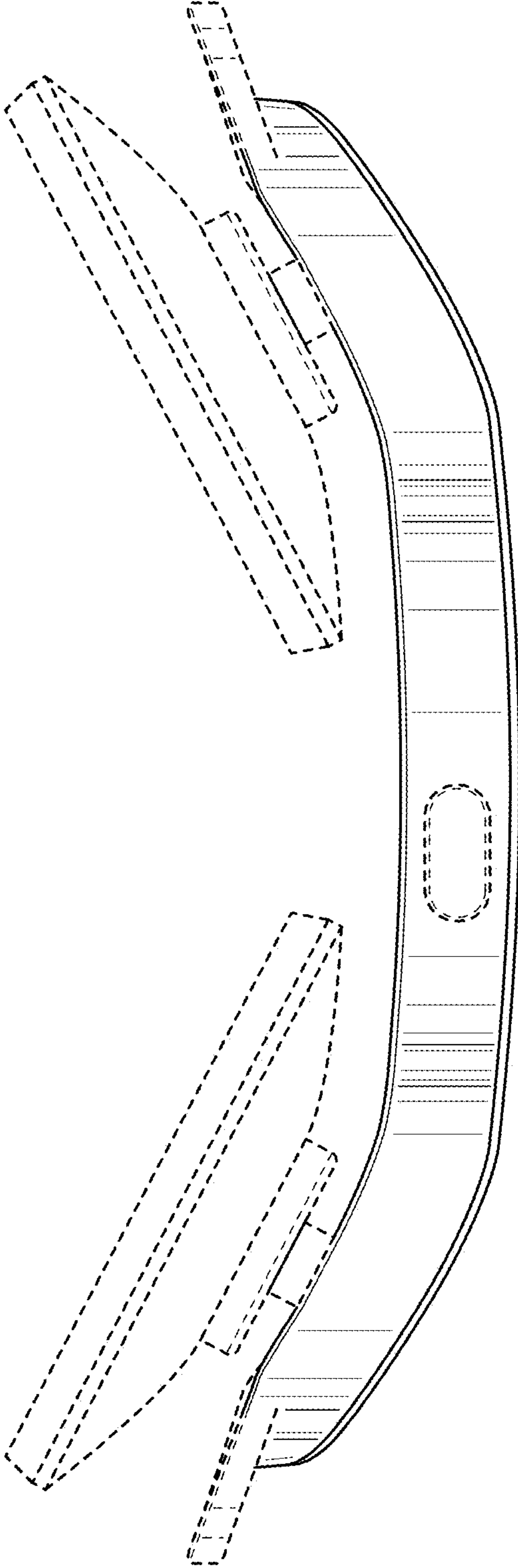


FIG. 2

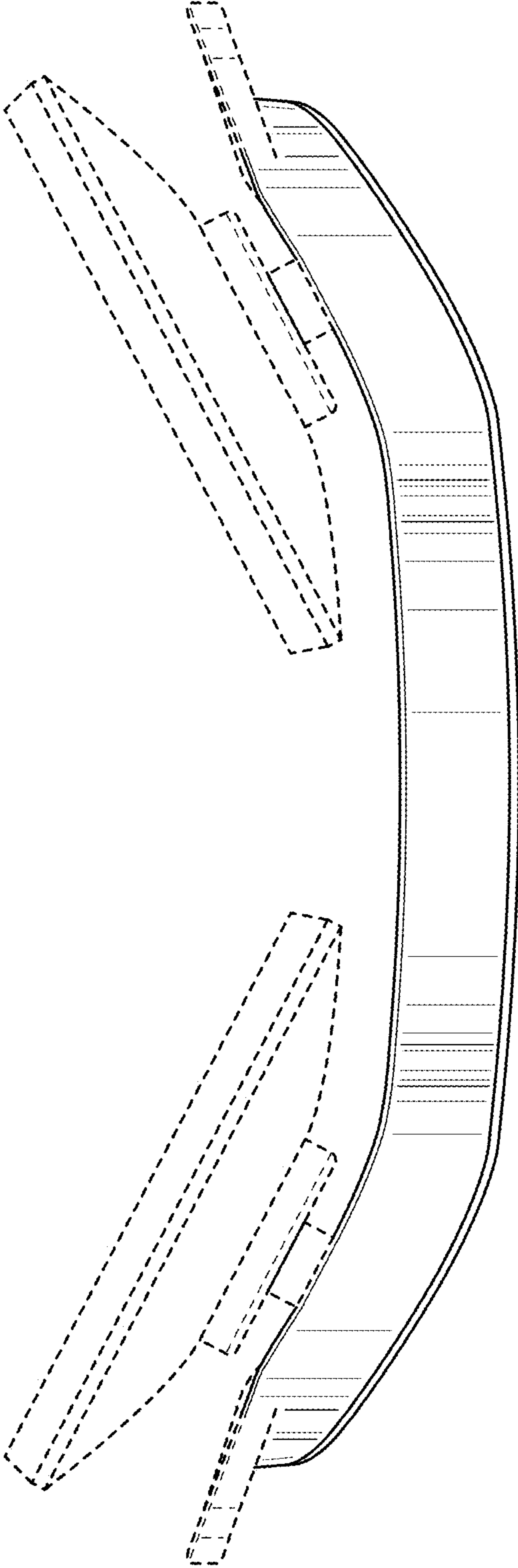


FIG. 3

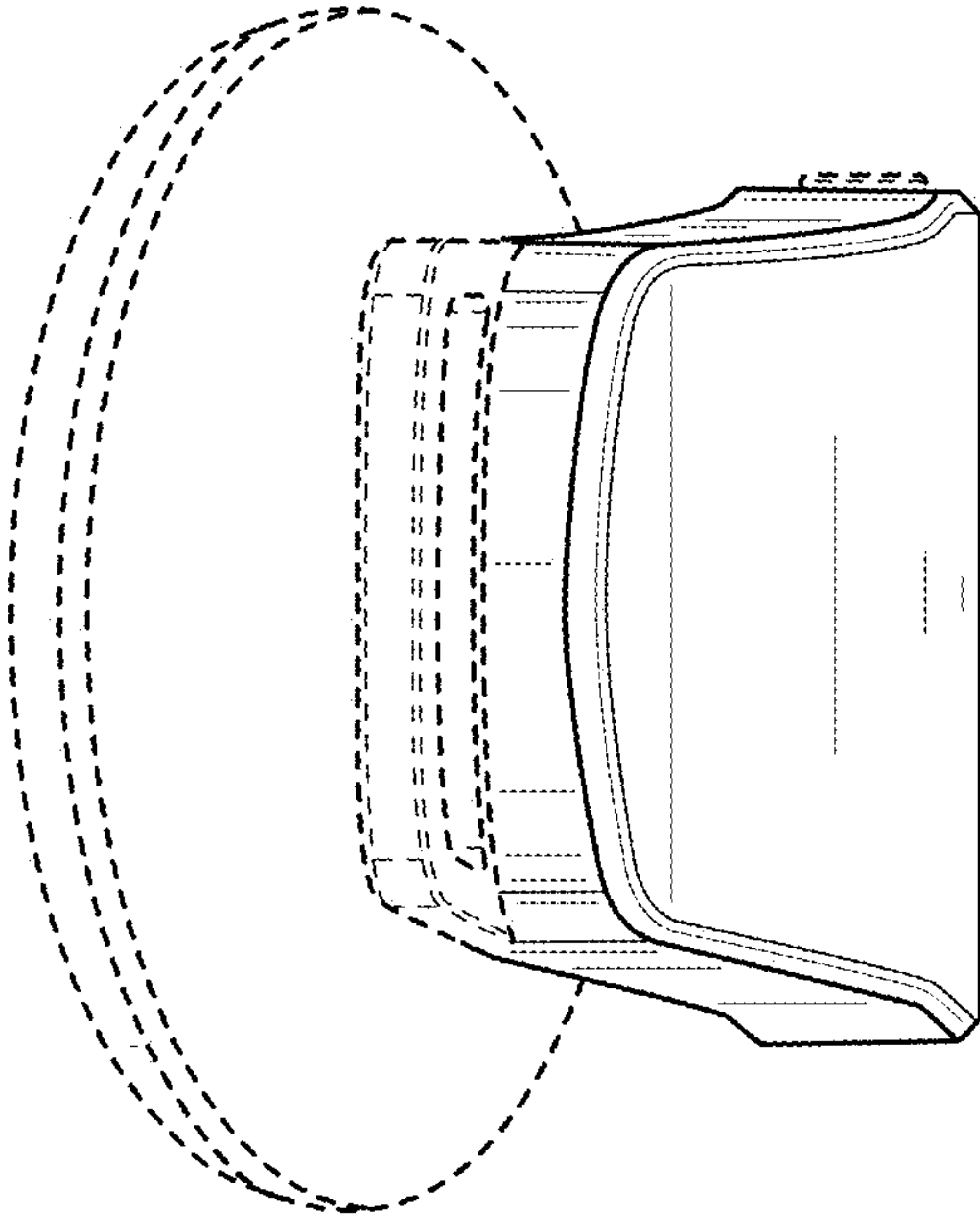


FIG. 4

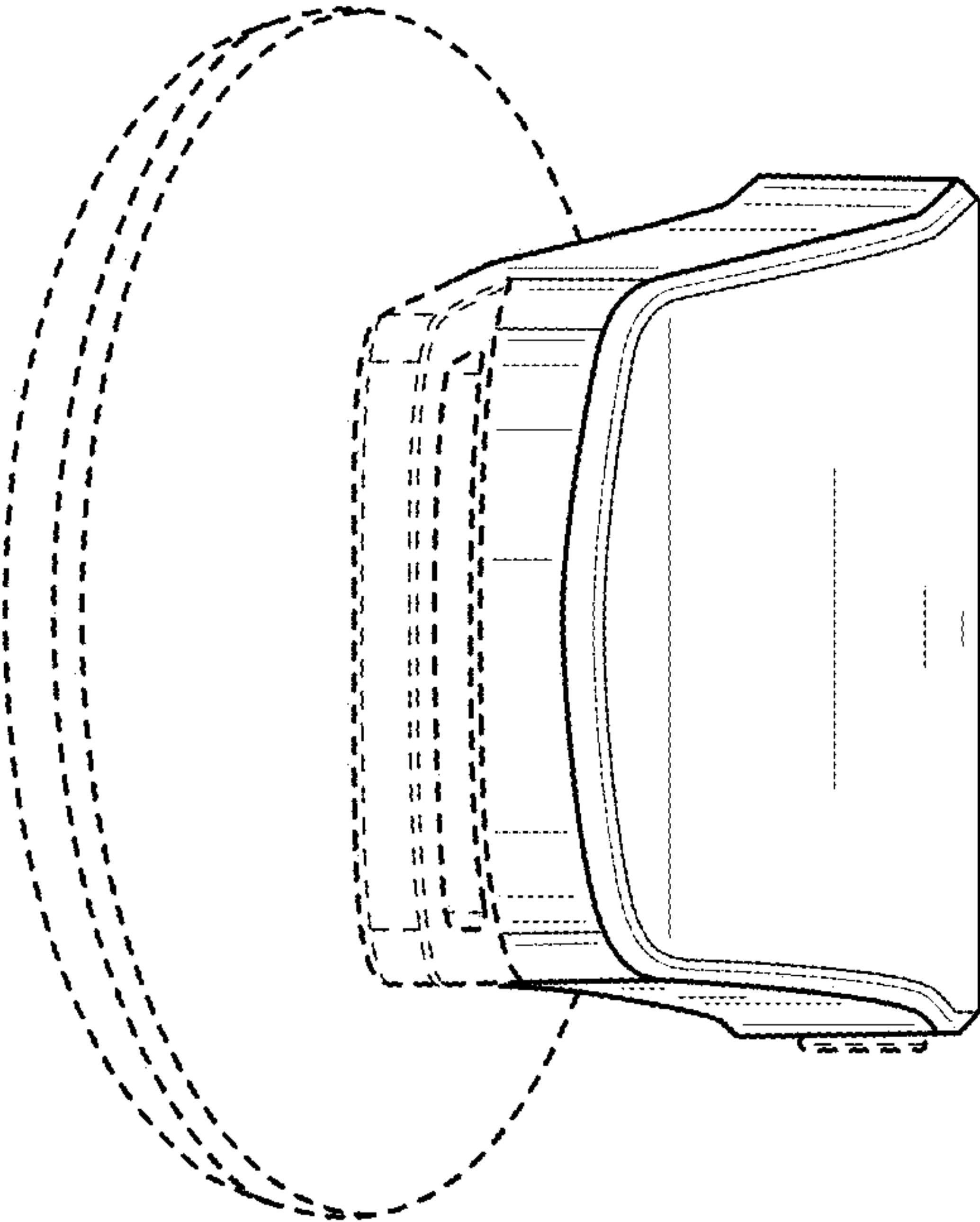


FIG. 5

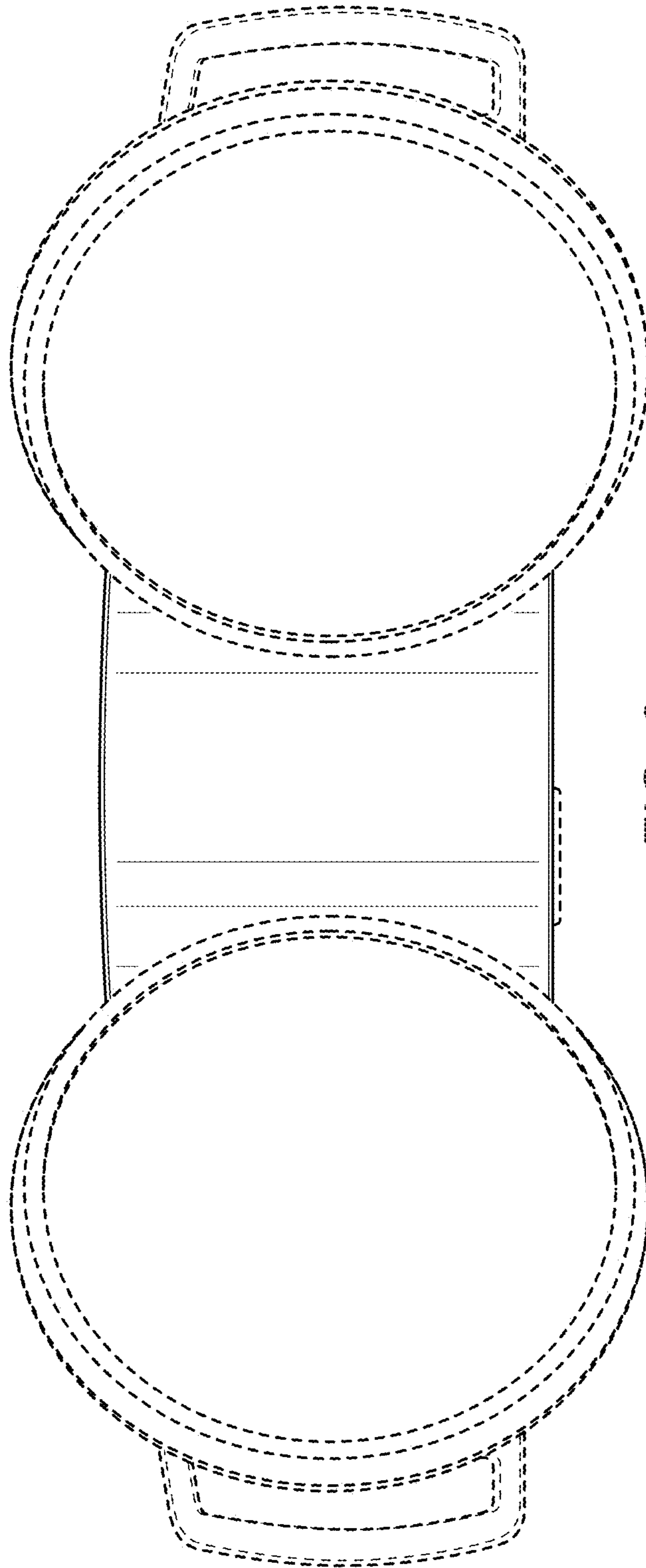


FIG. 6

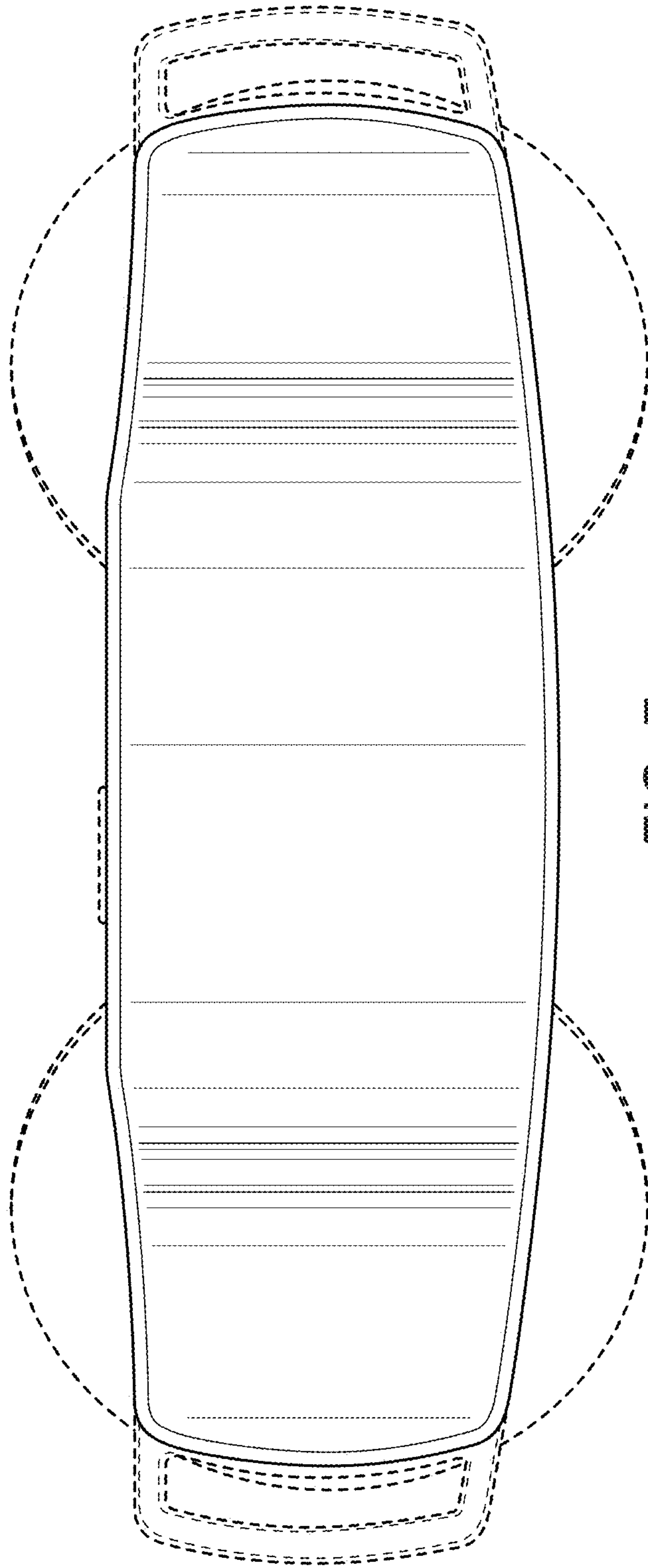


FIG. 7