



US00D952165S

(12) **United States Design Patent** (10) **Patent No.:** **US D952,165 S**
Esnard (45) **Date of Patent:** **** May 17, 2022**

(54) **MULTIPLE NIPPLE BOTTLE**
(71) Applicant: **Joshua Nickev Esnard**, Pittsboro, NC (US)
(72) Inventor: **Joshua Nickev Esnard**, Pittsboro, NC (US)
(**) Term: **15 Years**
(21) Appl. No.: **29/733,226**
(22) Filed: **Apr. 30, 2020**

Related U.S. Application Data

(62) Division of application No. 29/629,910, filed on Dec. 18, 2017, now Pat. No. Des. 886,309.
(51) **LOC (13) Cl.** **07-01**
(52) **U.S. Cl.**
USPC **D24/199**; D24/198
(58) **Field of Classification Search**
USPC D24/194, 197, 198, 199; D30/160;
D21/478, 707, 713
CPC A61J 17/001; A61J 17/02; A63B 2208/12
See application file for complete search history.

References Cited

U.S. PATENT DOCUMENTS

1,483,165 A * 2/1924 Eaton A63B 69/3655
473/281
D200,618 S * 3/1965 Proctor D24/194
3,603,023 A * 9/1971 McHugh A63H 33/00
446/431
D287,766 S * 1/1987 Simmons D24/198
D314,455 S * 2/1991 Morton D30/160
D321,319 S * 11/1991 Giuseppe D9/519
D341,206 S * 11/1993 Tsuji D24/197
5,297,981 A * 3/1994 Maxim A63H 33/005
446/437
D359,094 S * 6/1995 Brovelli D21/466

D408,921 S * 4/1999 Wexler D24/194
D459,404 S * 6/2002 Perez D21/713
6,793,094 B2 * 9/2004 Turnbough A47G 19/2272
215/11.1
D497,191 S * 10/2004 Shore D21/709
D514,263 S * 1/2006 Willinger D21/713
D594,606 S * 6/2009 DeSeguirant, Jr. D30/160
D604,370 S * 11/2009 Hume D21/478
D635,685 S * 4/2011 Hendricks D24/199
D650,874 S * 12/2011 Williams D21/713
D724,679 S * 3/2015 Martyn D21/707
D782,753 S * 3/2017 Eisenbarth D30/160
D799,613 S * 10/2017 Dillon D21/713
D881,481 S * 4/2020 Baker D30/160
D886,309 S * 6/2020 Esnard D24/199
D899,609 S * 10/2020 Reynolds D24/194
D933,246 S * 10/2021 Zhang D24/197
2005/0251211 A1 * 11/2005 Knifong A61J 17/001
606/234
2019/0240116 A1 * 8/2019 Reynolds A61J 17/001

* cited by examiner

Primary Examiner — Omeed Agilee

Assistant Examiner — Katelin G Kloberg

(74) *Attorney, Agent, or Firm* — Nancy J. Flint, Attorney at Law, P.A.; Nancy J. Flint, Esq.

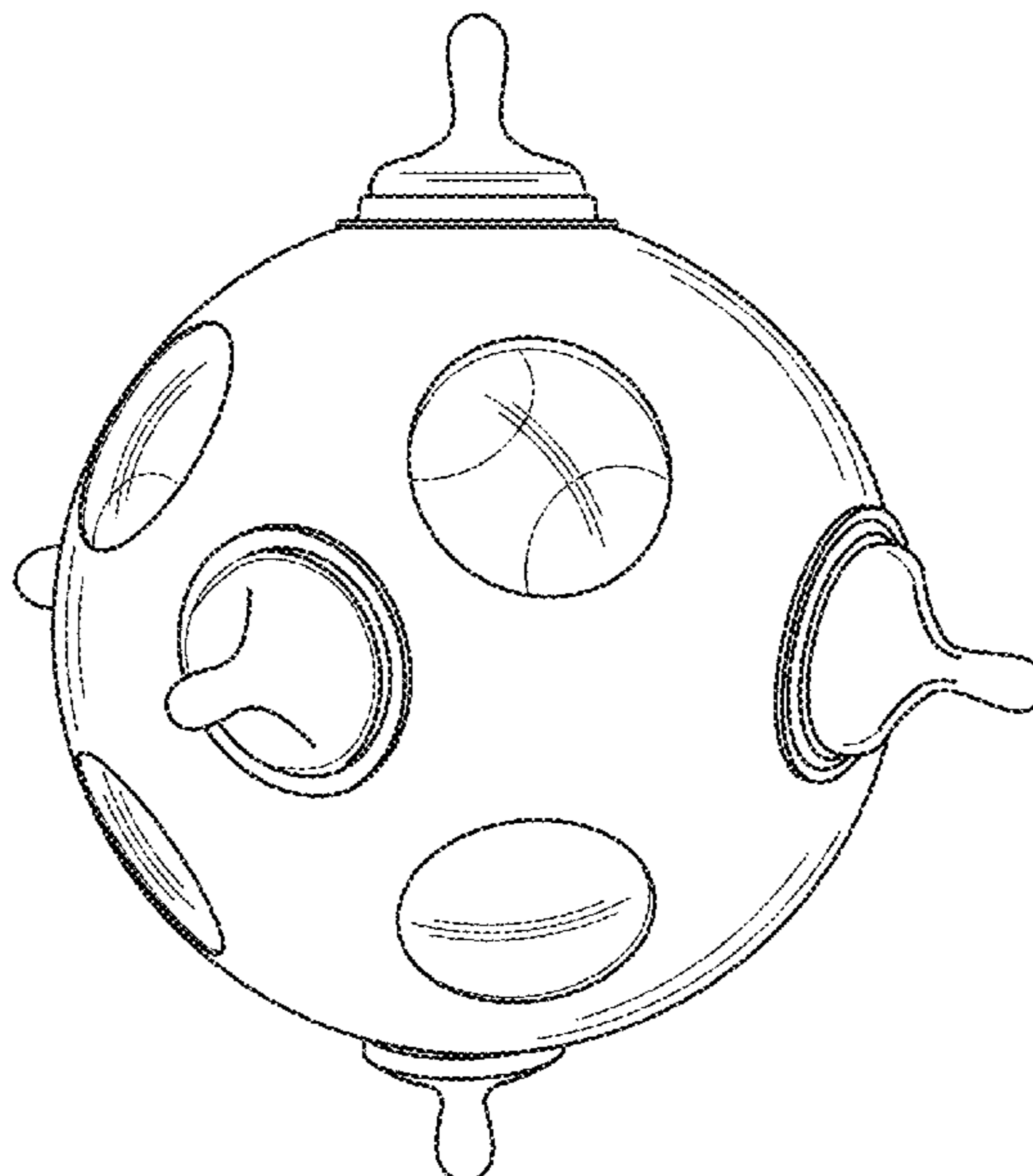
(57) **CLAIM**

The ornamental design for a multiple nipple bottle, as shown and described.

DESCRIPTION

FIG. 1 is a perspective view of a multiple nipple bottle showing my new design;
FIG. 2 is a front elevation view thereof, with the rear elevation, right side elevation, left side elevation, top plan, and bottom plan views being identical thereto; and,
FIG. 3 is a cross-section view taken along line 3-3 in FIG. 2.

1 Claim, 2 Drawing Sheets



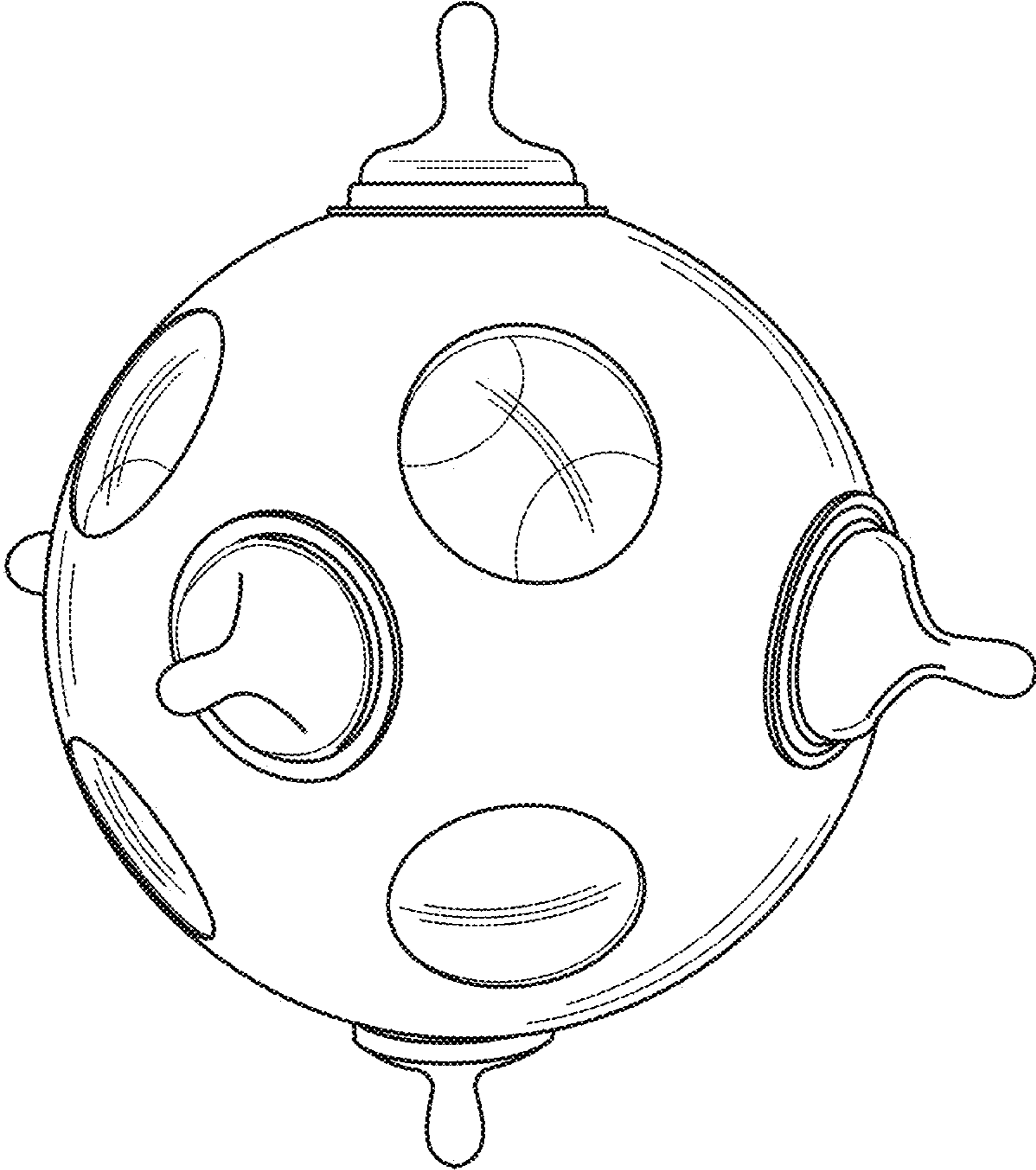


Fig. 1

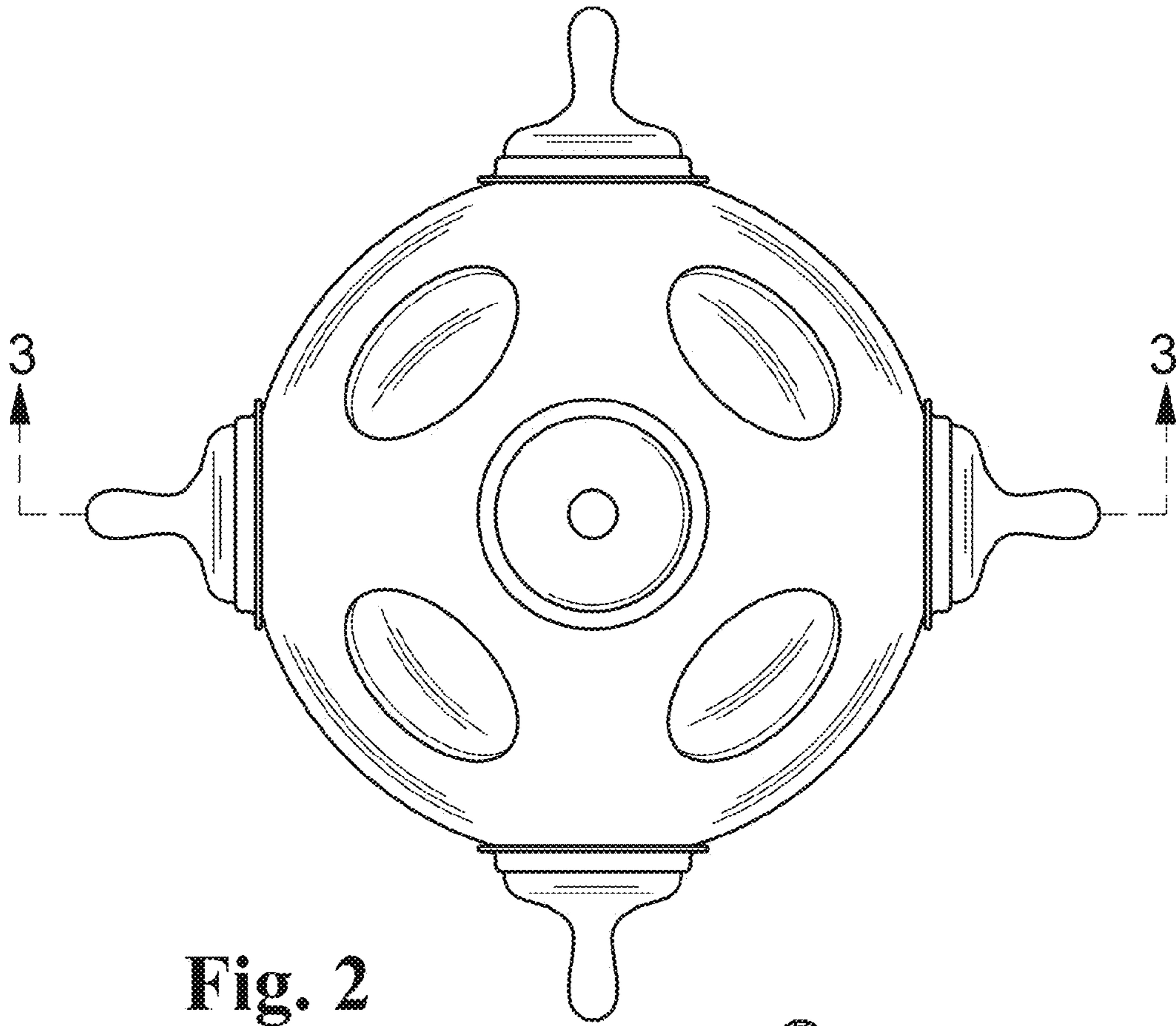


Fig. 2

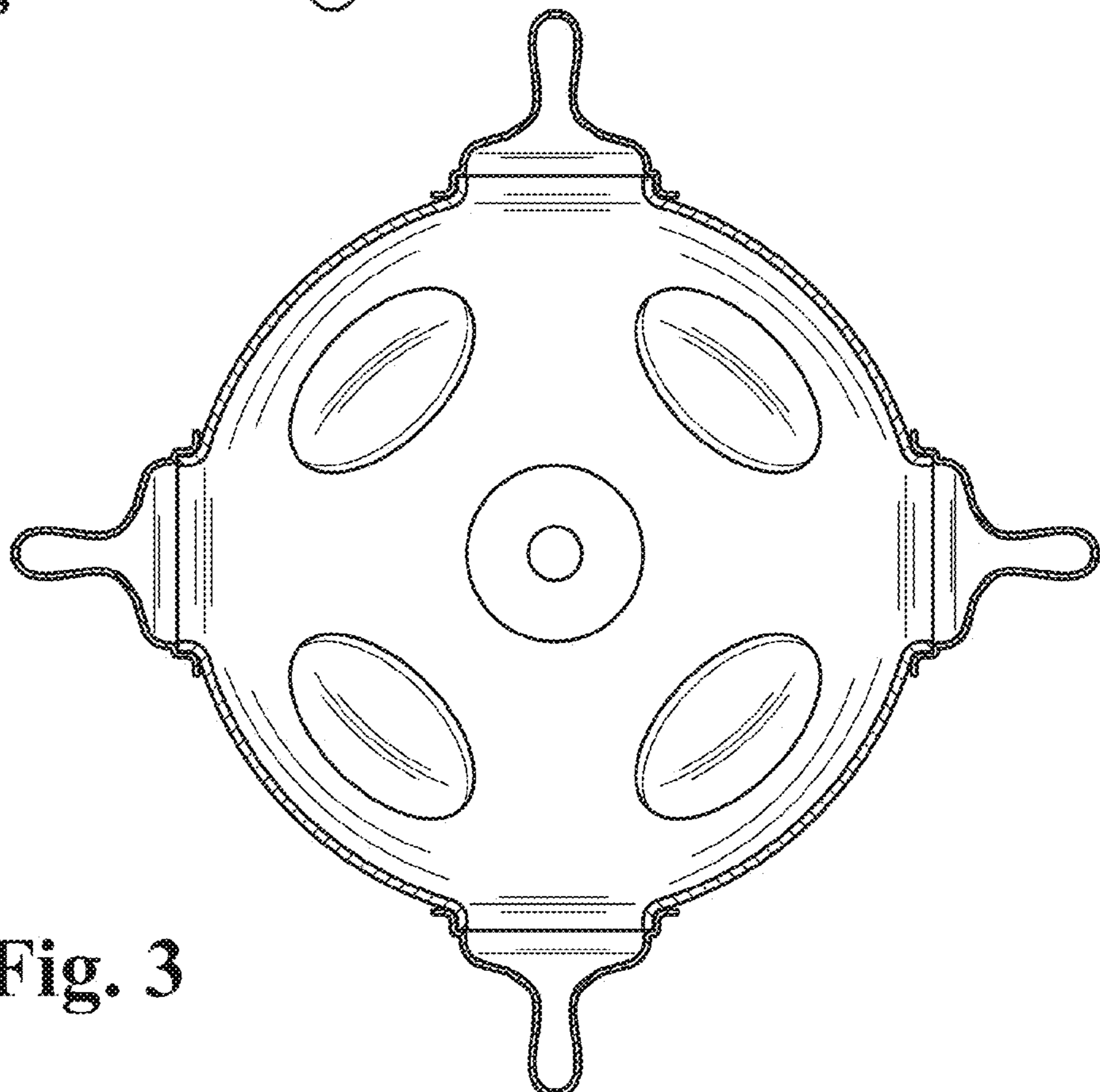


Fig. 3