



US00D952164S

(12) **United States Design Patent**
Ferrell

(10) **Patent No.:** **US D952,164 S**

(45) **Date of Patent:** **** May 17, 2022**

(54) **PACIFIER TETHER**

(71) Applicant: **Lindsey Ferrell**, Lakeland, TN (US)

(72) Inventor: **Lindsey Ferrell**, Lakeland, TN (US)

(**) Term: **15 Years**

(21) Appl. No.: **29/728,705**

(22) Filed: **Mar. 20, 2020**

(51) **LOC (13) Cl.** **24-04**

(52) **U.S. Cl.**
USPC **D24/193**; D29/122

(58) **Field of Classification Search**
USPC D24/193, 194, 195, 208, 214; D30/160;
D1/106, 107, 110, 115, 125; D21/483,
D21/496, 532, 576, 603, 615, 622, 650;
D29/122
CPC A61J 17/111; A61J 17/02; A61J 2200/44
See application file for complete search history.

(56) **References Cited**

U.S. PATENT DOCUMENTS

| | | | | | |
|-----------|------|---------|-----------|-------|--------------|
| 4,765,037 | A * | 8/1988 | Perry | | A61J 17/00 |
| | | | | | 24/301 |
| D310,716 | S * | 9/1990 | Trask | | D24/195 |
| D466,216 | S * | 11/2002 | Ortega | | D24/193 |
| D666,730 | S * | 9/2012 | Del Solar | | D24/194 |
| D672,283 | S * | 12/2012 | Spruill | | D11/221 |
| 9,921,996 | B2 * | 3/2018 | Burton | | G06F 13/4282 |
| D850,636 | S * | 6/2019 | Davidson | | D24/194 |
| D886,397 | S * | 6/2020 | Baker | | D30/160 |
| D908,899 | S * | 1/2021 | Amatoury | | D24/199 |
| D910,499 | S * | 2/2021 | Williams | | D24/195 |

(Continued)

OTHER PUBLICATIONS

“Ryan+Rose: Cutie Clip—Cub”. Found online May 12, 2021 at [instagram.com](https://www.instagram.com/p/CAtVNhPjzzv/). Reference dated May 27, 2020. Retrieved from <https://www.instagram.com/p/CAtVNhPjzzv/>.*

(Continued)

Primary Examiner — Kendra Leslie Hamilton
(74) *Attorney, Agent, or Firm* — Baker Donelson

(57) **CLAIM**

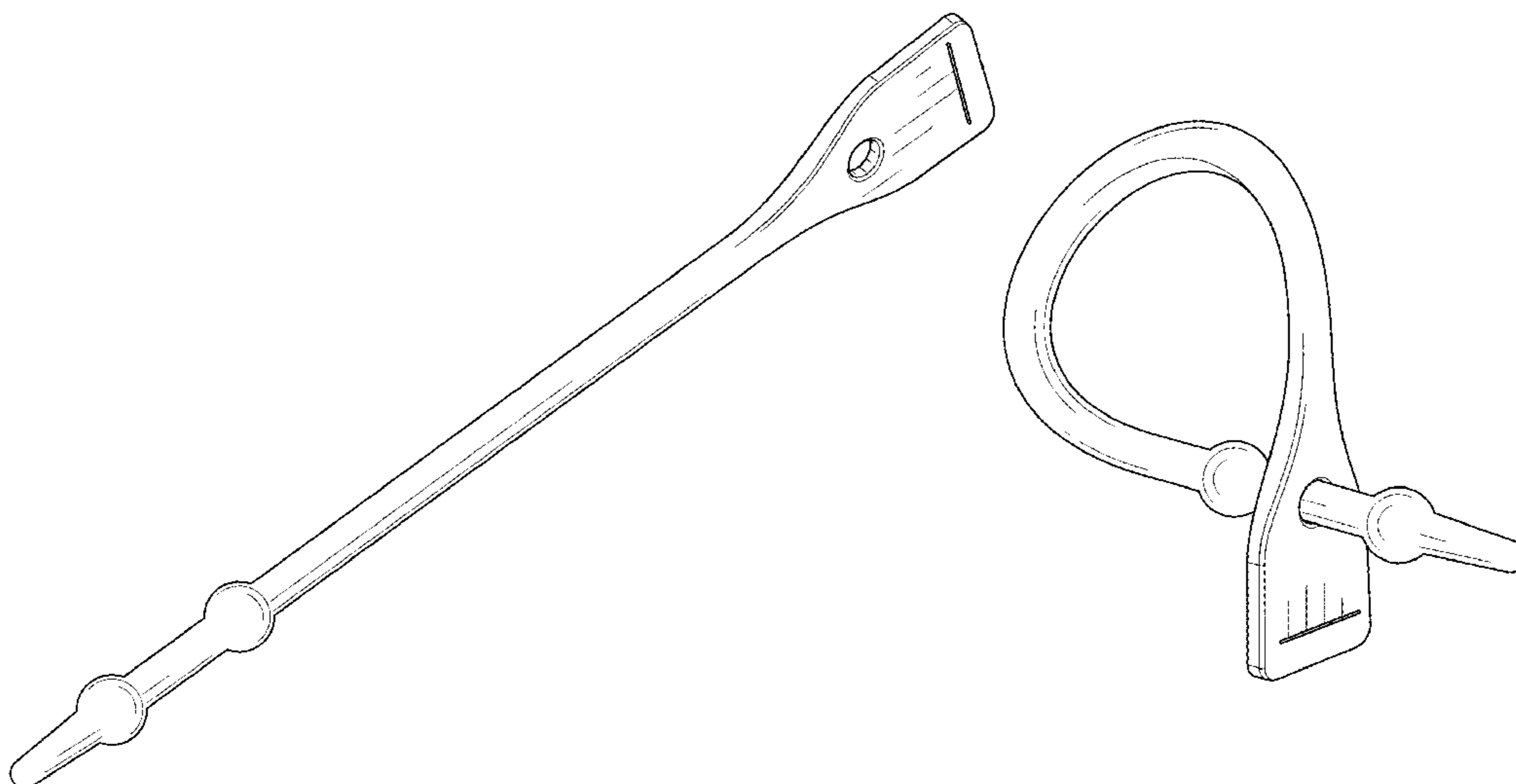
The ornamental design for a pacifier tether, as shown and described.

DESCRIPTION

FIG. 1 is a front elevation view of a pacifier tether showing my new design straightened and in a first configuration. FIG. 2 is a left side elevation view thereof, the right side elevation view being a mirror image thereof. FIG. 3 is a bottom plan view thereof. FIG. 4 is a top plan view thereof. FIG. 5 is a top, front, right perspective view thereof. FIG. 6 is a left side elevation view of the pacifier tether of FIG. 1, shown looped and in a second configuration. FIG. 7 is a front, left perspective view thereof. FIG. 8 is a rear, left perspective view thereof, shown at a larger scale for clarity of disclosure. FIG. 9 is a bottom, left perspective view thereof. FIG. 10 is a top, front, right perspective view of the pacifier tether of FIG. 1, shown in the first configuration and in a first condition of use. FIG. 11 is a bottom, front, right perspective view thereof, shown in the first configuration and in a first condition of use at a reduced scale. FIG. 12 is a top, front, right perspective view thereof, shown in the first configuration and in a second condition of use; and, FIG. 13 is a top, front, right perspective view of the pacifier tether of FIG. 1, shown in the first configuration and in a second condition of use at a reduced scale.

The present design is a pacifier tether as shown and described. In the drawings, the broken lines depict environmental subject matter only and form no part of the claimed design.

1 Claim, 9 Drawing Sheets



(56)

References Cited

U.S. PATENT DOCUMENTS

2004/0244153 A1* 12/2004 Lippincott A61J 17/111
24/3.13
2007/0067964 A1* 3/2007 McQuarrie A61J 17/111
24/3.13
2010/0030265 A1* 2/2010 Ambrite A61J 17/109
606/236

OTHER PUBLICATIONS

“OgoBolli: Tether Strap—Stretchi”. Found online Jul. 23, 2020 at amazon.ca. Reference dated Oct. 13, 2019. Retrieved from <https://www.amazon.ca/OgoSport-OgoBolli-Tether-Strap-Stretchi/dp/B07W85PWCV>.*

“Boon: Gnaw Multi-Purpose Teething Tether”. Found online Nov. 4, 2016 at amazon.com. Reference dated Jun. 21, 2011. Retrieved from https://www.amazon.com/Boon-Multi-Purpose-Teething-Tether-Orange/dp/B004KPPJUM/ref=cm_cr_arp_d_product_top?ie=UTF8.*

“Brilli: Cup Catcher/Tether and Teethers with Tether”. Found online Jul. 31, 2019 at housewares.blob.core.windows.net. Reference dated Feb. 21, 2018. Retrieved from <https://housewares.blob.core.windows.net/exhdir/original/catalog/94f0dd2-16da-4c43-ac8e-472c16345b1e.pdf>.*

* cited by examiner

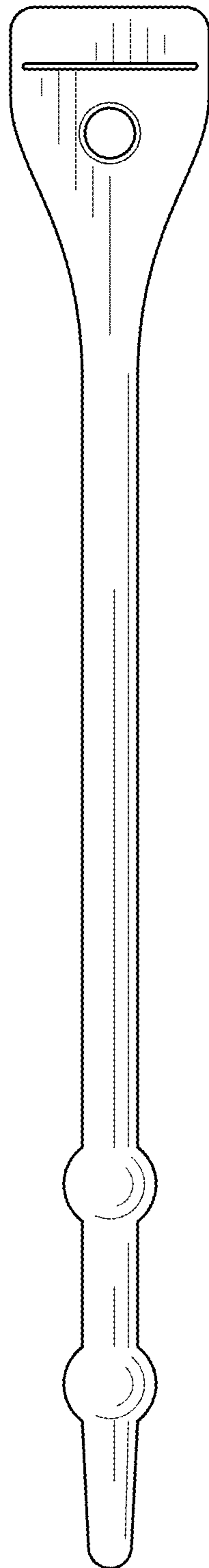


FIG. 1

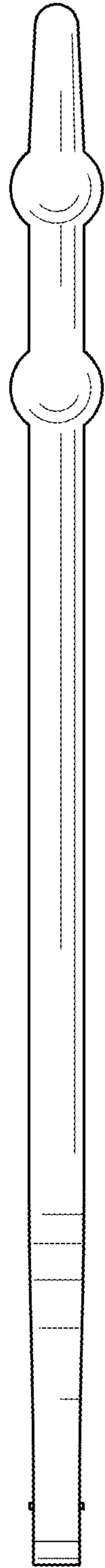


FIG. 2

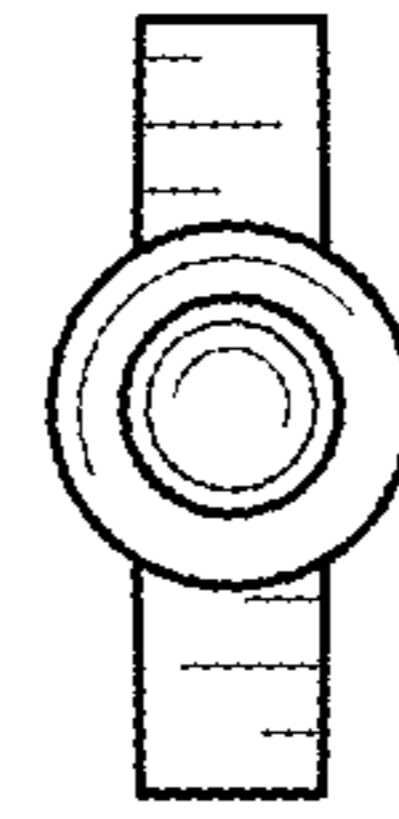


FIG. 4

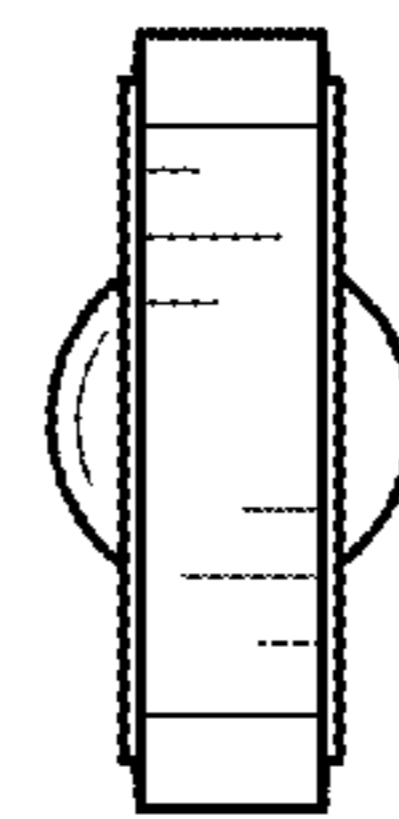


FIG. 3

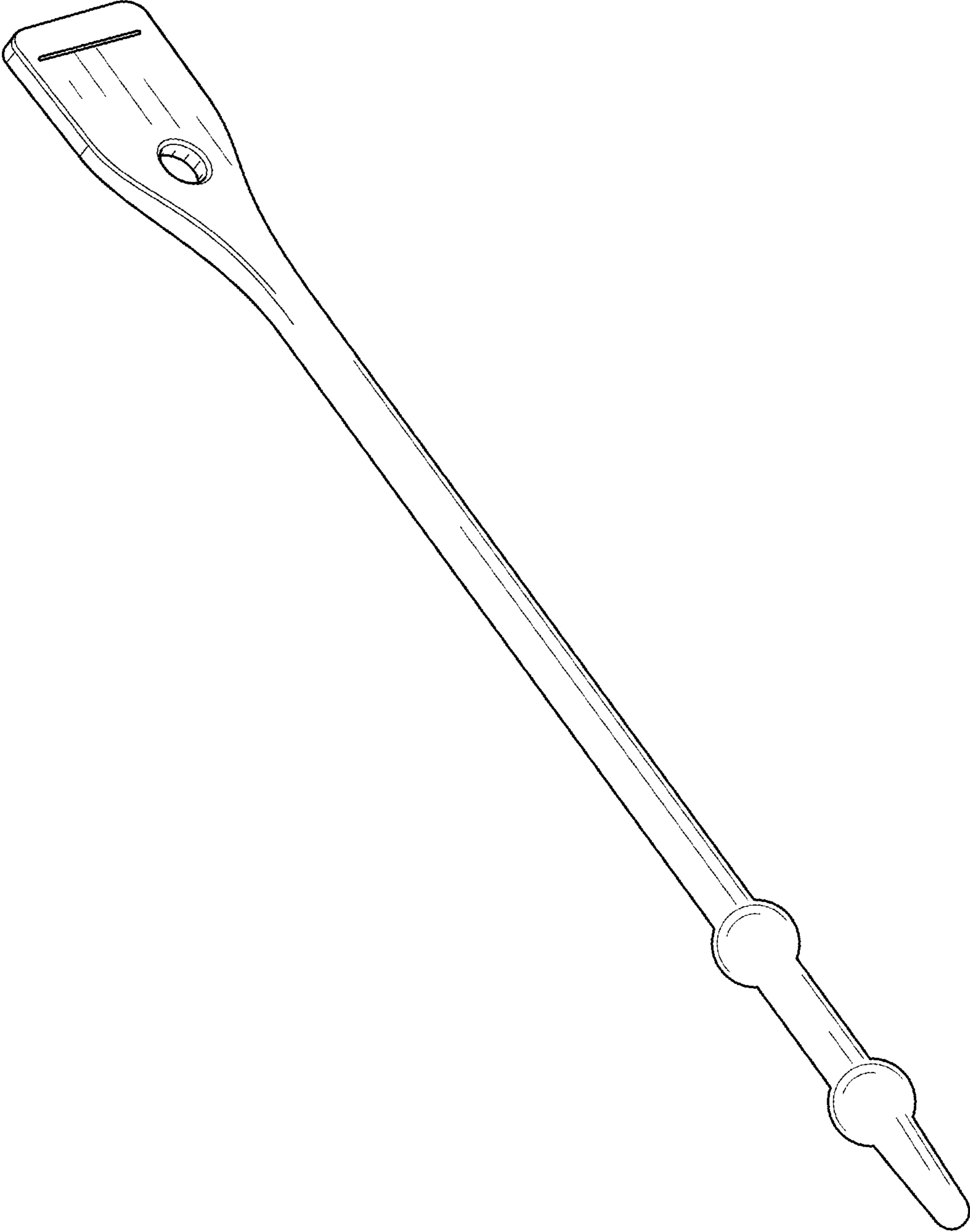


FIG. 5

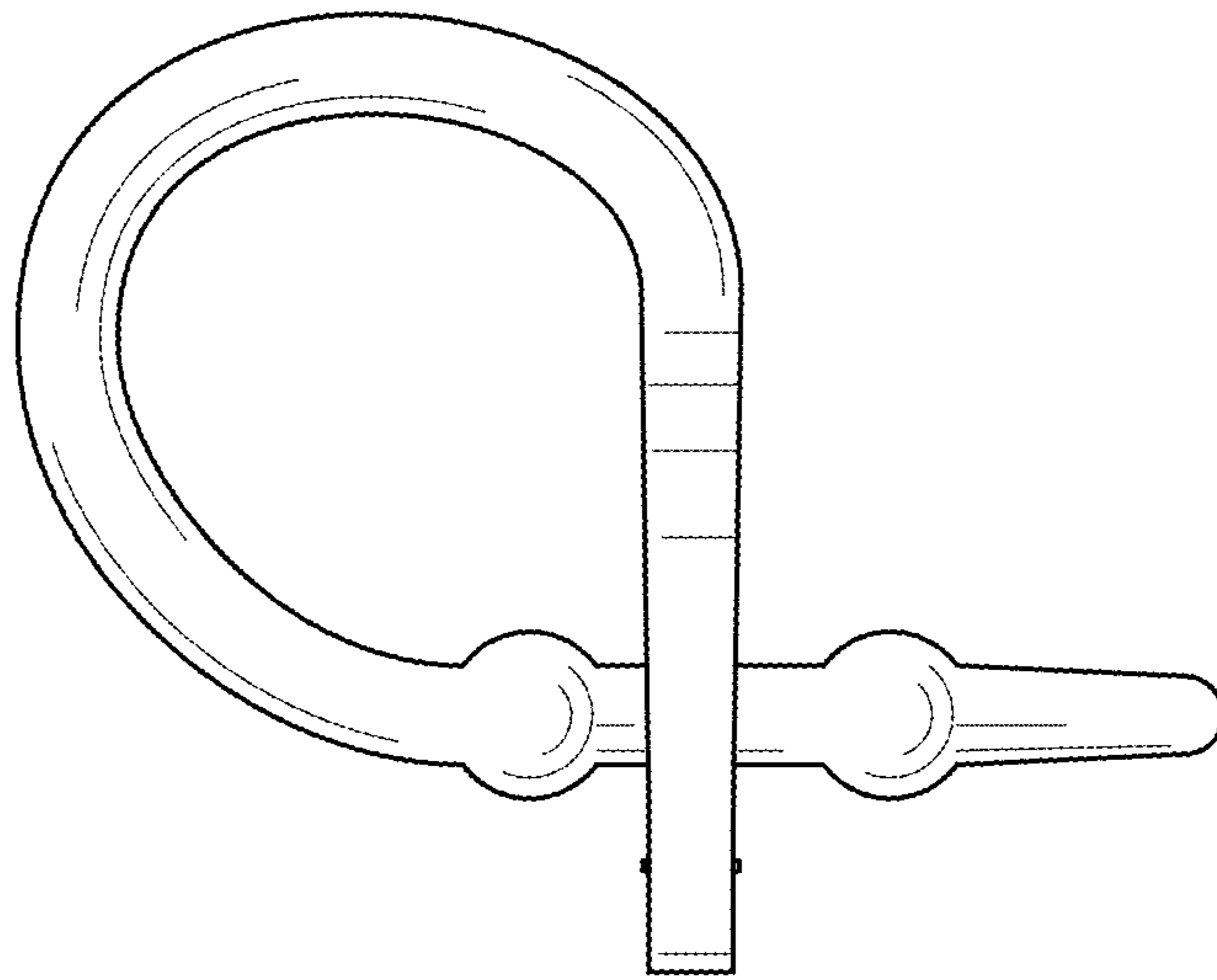


FIG. 6

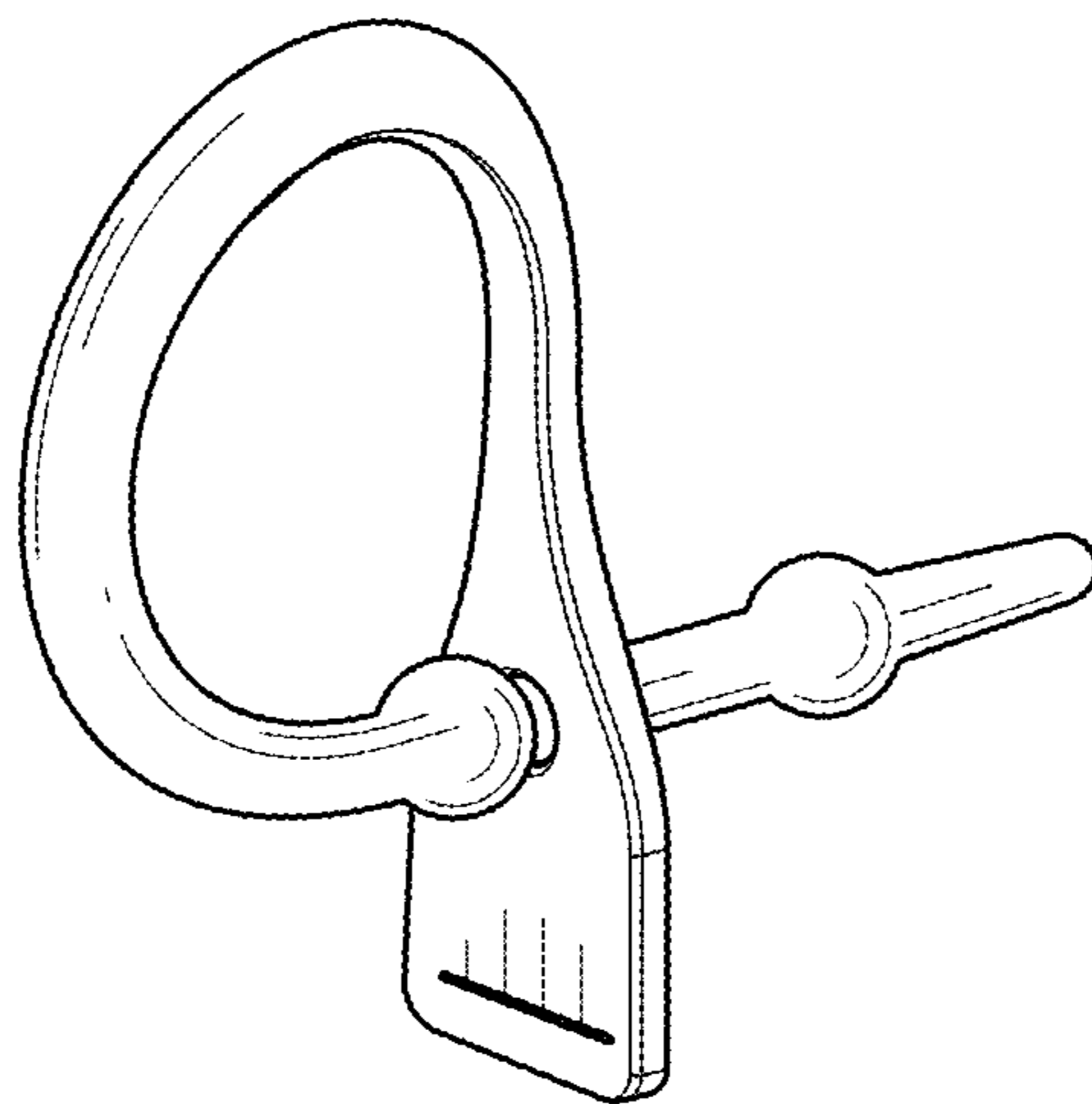


FIG. 7

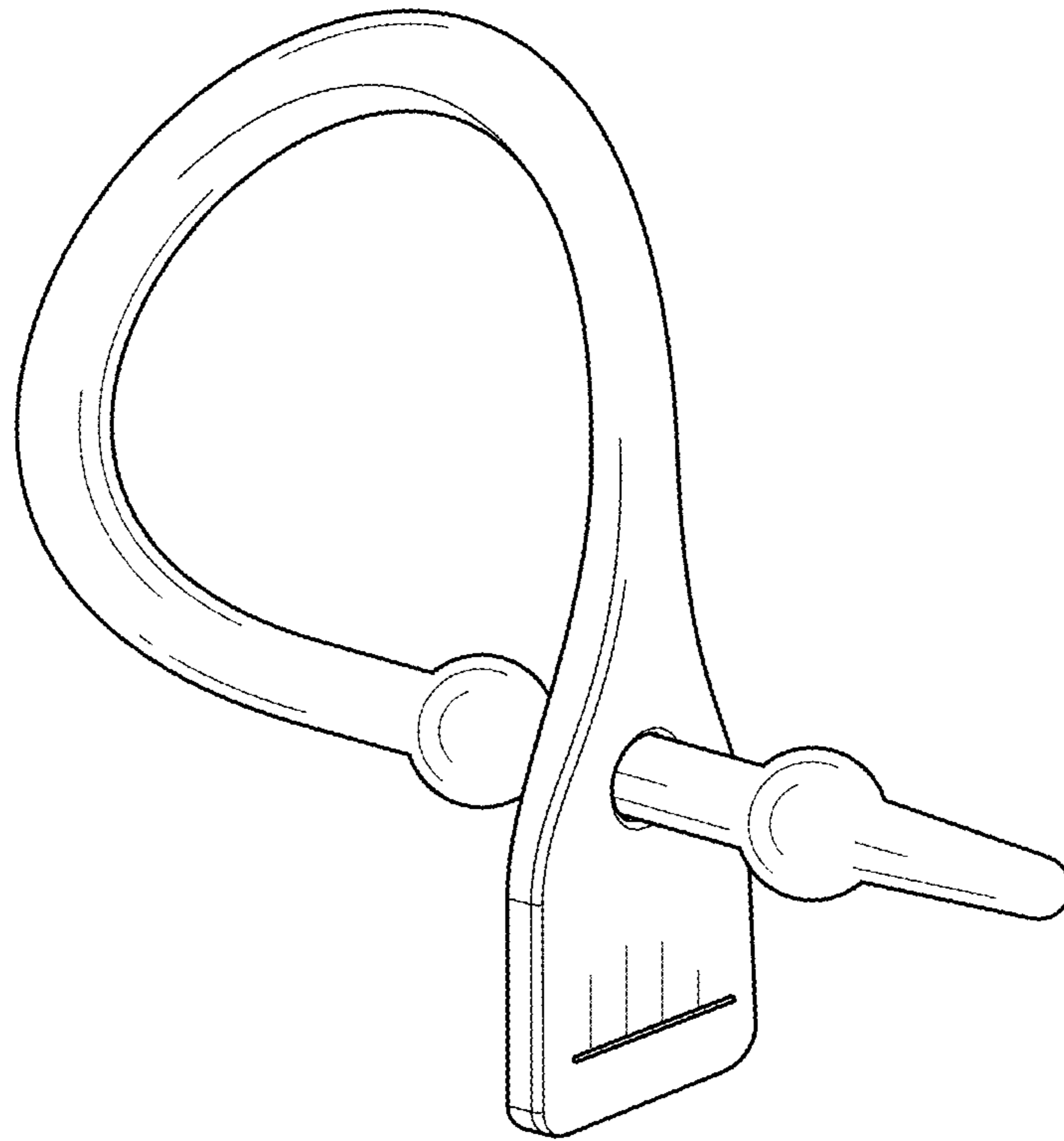


FIG. 8

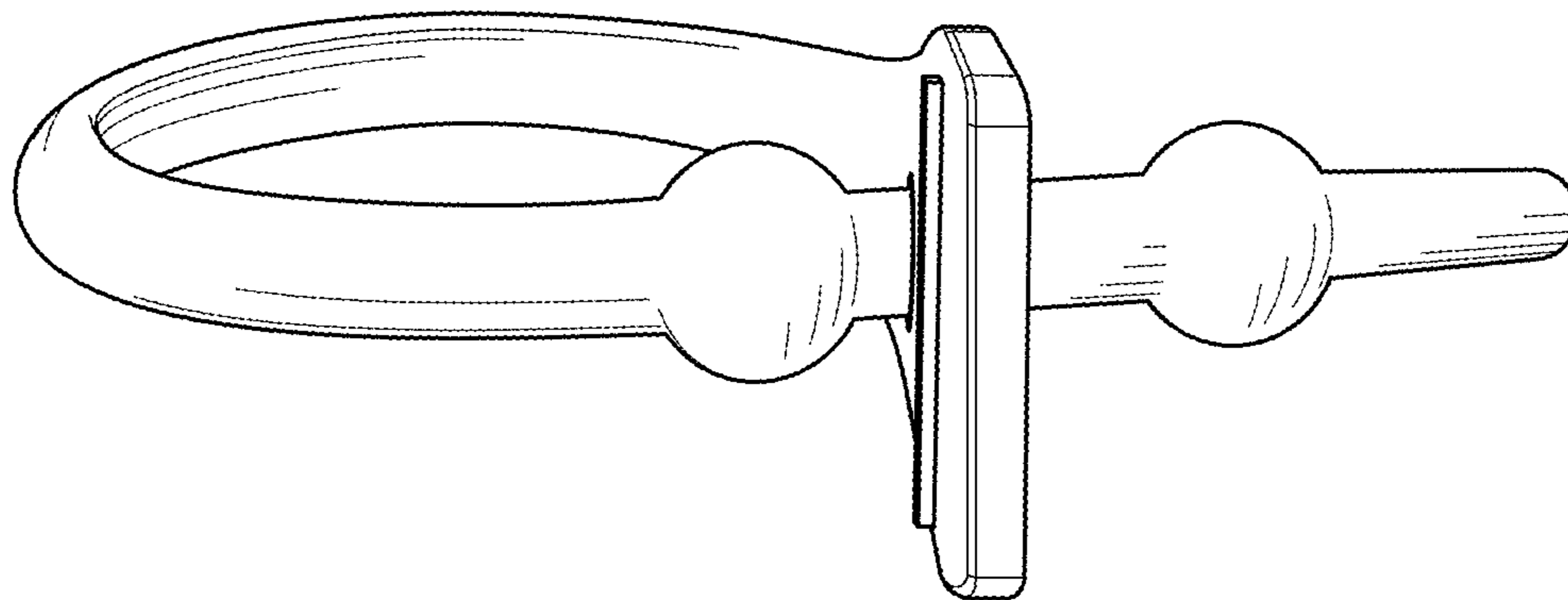


FIG. 9

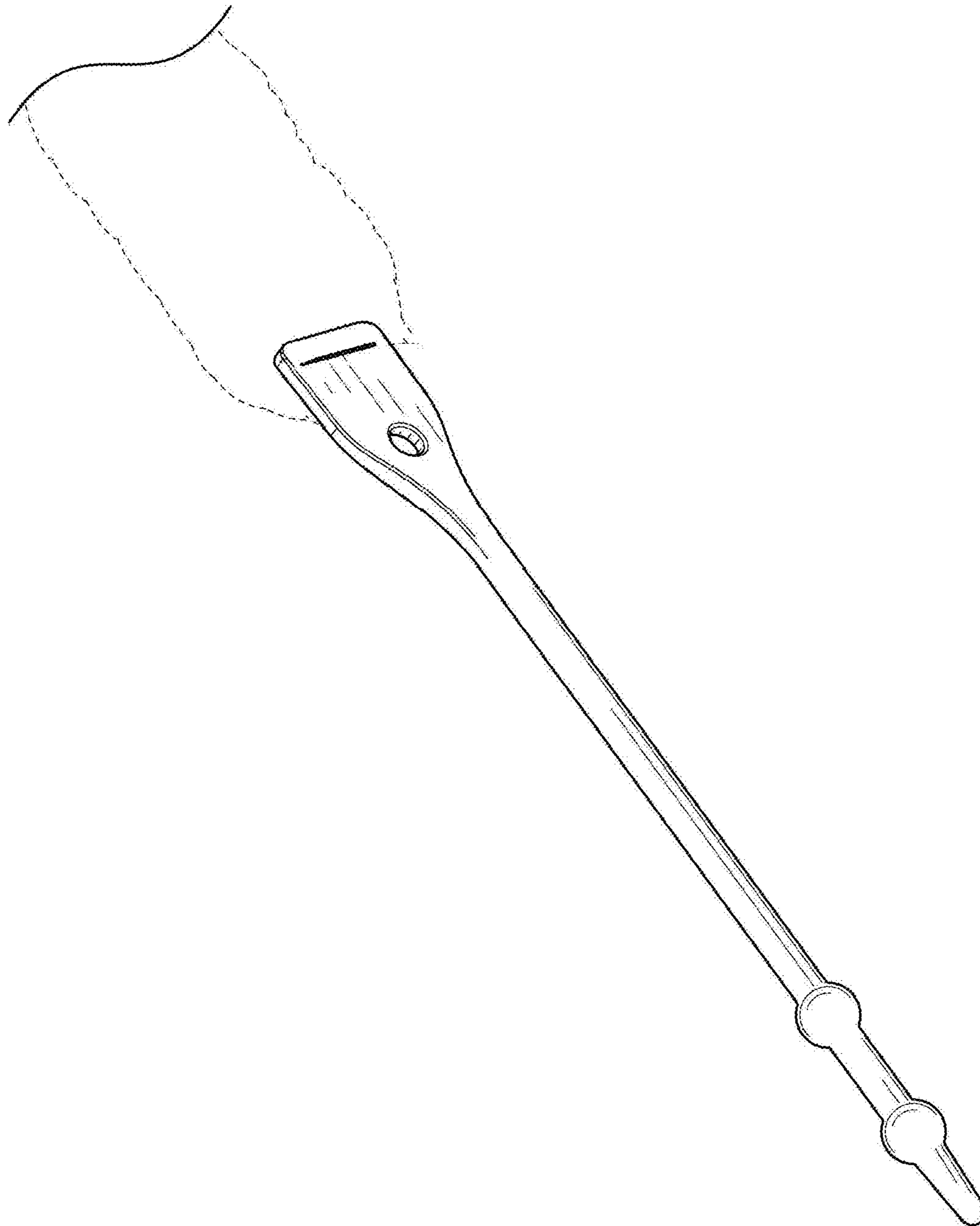


FIG. 10

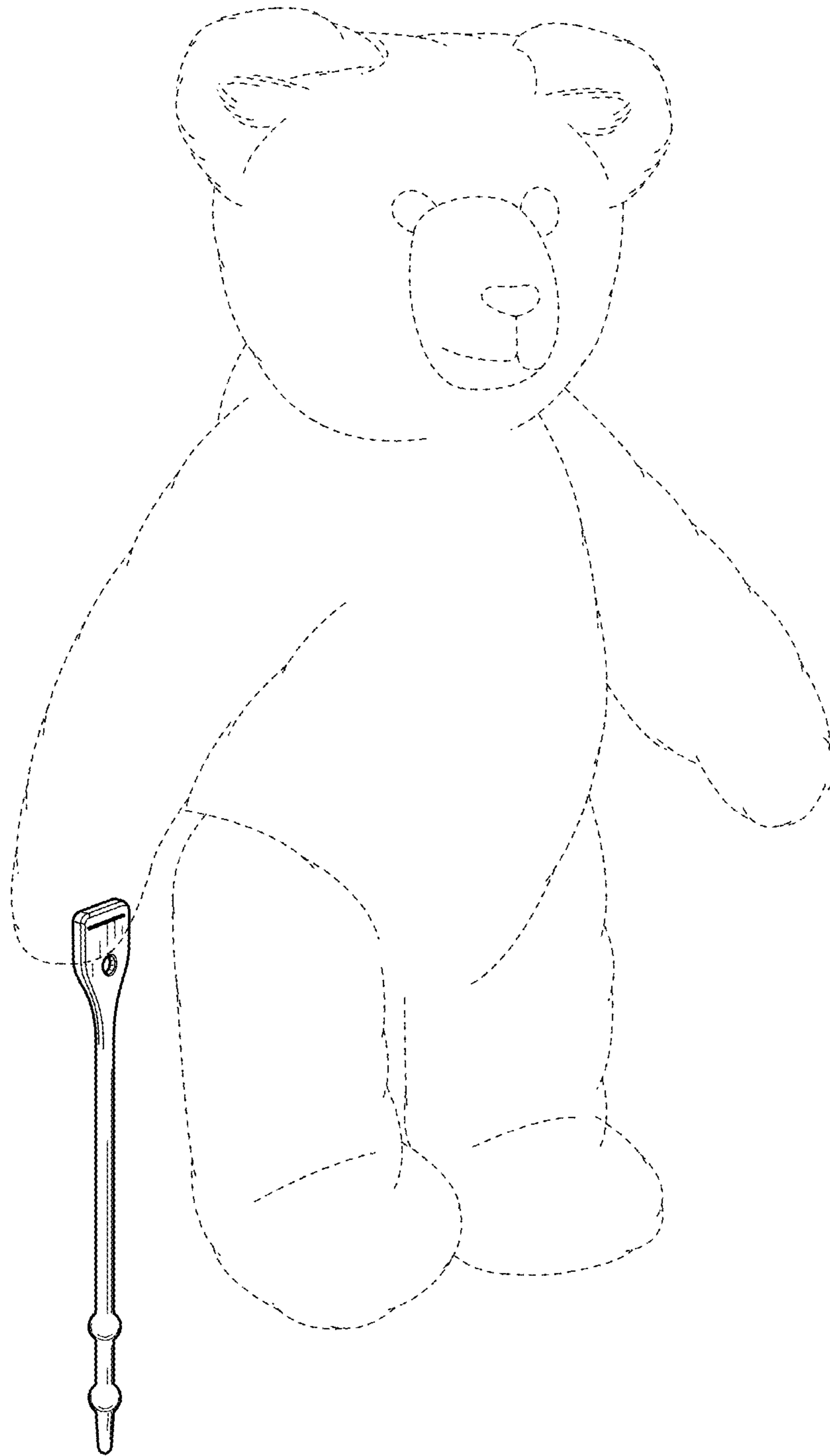


FIG. 11

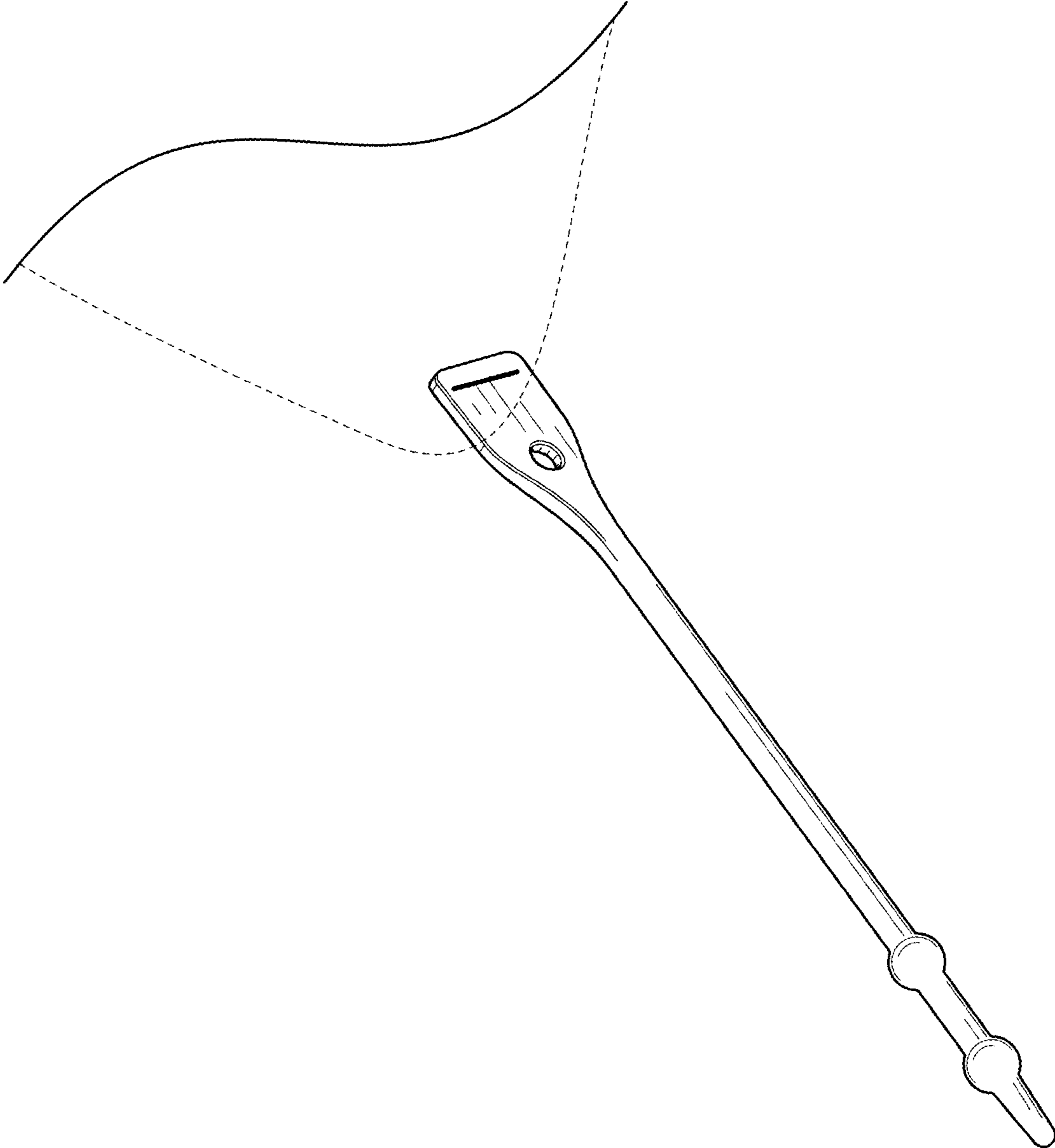


FIG. 12

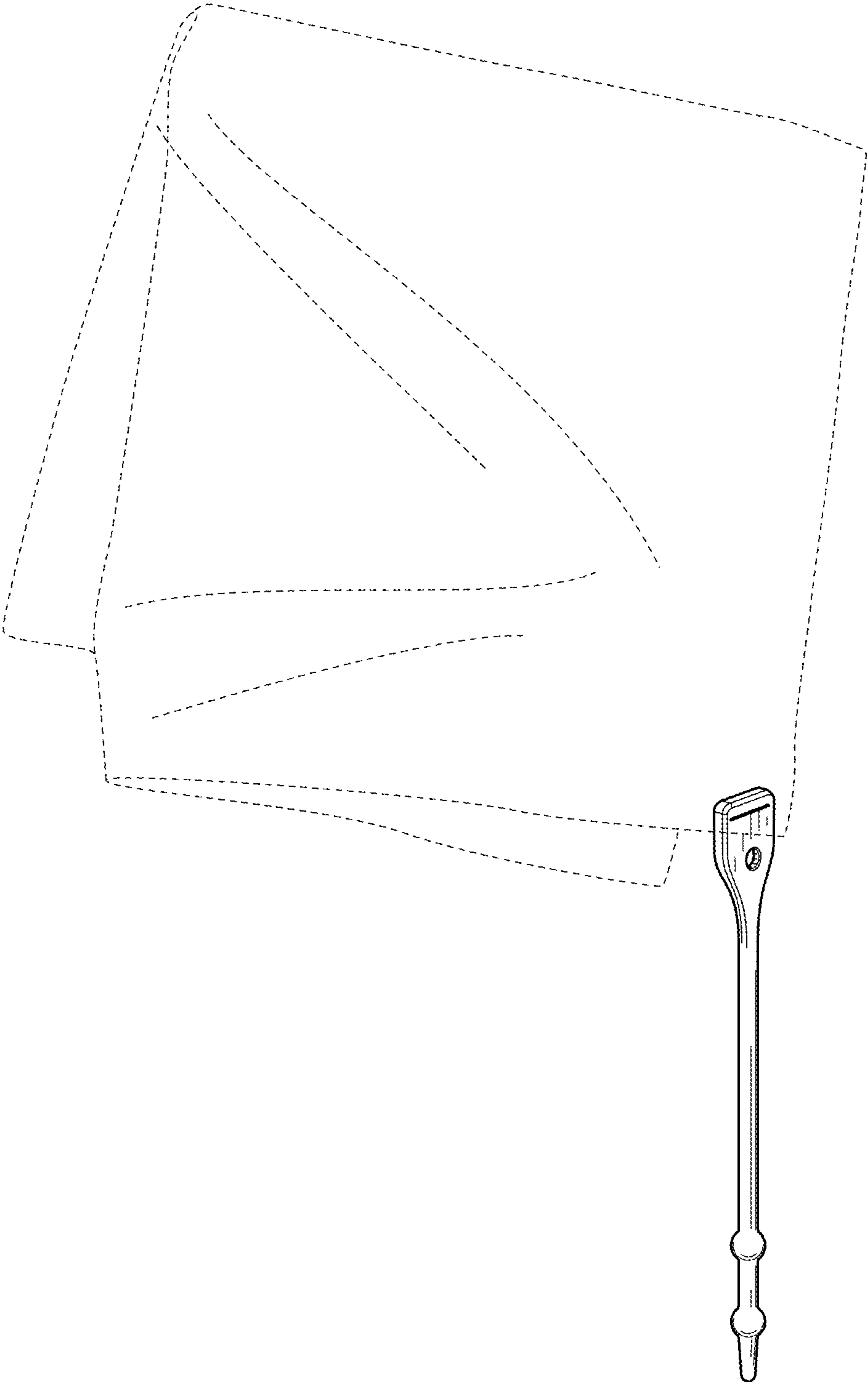


FIG. 13