

US00D952160S

(12) **United States Design Patent**  
**Kim**

(10) **Patent No.:** **US D952,160 S**

(45) **Date of Patent:** **\*\* May 17, 2022**

(54) **HEALTH DIAGNOSIS APPARATUS FOR POULTRY**

(71) Applicant: **uLikeKorea Co., Inc.**, Seoul (KR)

(72) Inventor: **Hee Jin Kim**, Seoul (KR)

(73) Assignee: **uLikeKorea Co., Inc.**, Seoul (KR)

(\*\*) Term: **15 Years**

(21) Appl. No.: **29/760,631**

(22) Filed: **Dec. 2, 2020**

(51) **LOC (13) Cl.** ..... **24-02**

(52) **U.S. Cl.**

USPC ..... **D24/186**

(58) **Field of Classification Search**

USPC ..... D24/107, 164–169, 185–187, 143;  
D10/98, 70, 75, 52, 57; D14/344;  
D8/395

CPC ..... A61B 5/0008; A61B 5/0053; A61B 5/274;  
A61B 5/6838; Y10T 24/44376; Y10T  
24/44419

See application file for complete search history.

(56) **References Cited**

**U.S. PATENT DOCUMENTS**

- 5,957,840 A \* 9/1999 Terasawa ..... A61B 5/274  
600/310
- 7,657,295 B2 \* 2/2010 Coakley ..... A61B 5/6838  
600/344
- 8,073,518 B2 \* 12/2011 Chin ..... A61B 5/6838  
600/344
- D663,422 S \* 7/2012 Missanelli ..... D24/169
- D678,533 S \* 3/2013 Bernstein ..... D24/187

- D916,291 S \* 4/2021 Fernando ..... D24/169
- D924,674 S \* 7/2021 Mangano ..... D8/395
- D932,026 S \* 9/2021 Cha ..... D24/187
- 2020/0100463 A1 \* 4/2020 Rooda ..... A61B 5/01
- 2021/0204880 A1 \* 7/2021 Cedrone ..... A61B 5/6823

**FOREIGN PATENT DOCUMENTS**

RU 2014501483 \* 4/2016

\* cited by examiner

*Primary Examiner* — Anhdao Doan

(74) *Attorney, Agent, or Firm* — Hauptman Ham, LLP

(57) **CLAIM**

The ornamental design for a health diagnosis apparatus for poultry, as shown and described.

**DESCRIPTION**

FIG. 1 is a perspective view of an health diagnosis apparatus for poultry showing in my new design;  
 FIG. 2 is a front view thereof;  
 FIG. 3 is a rear view thereof;  
 FIG. 4 is a left side view thereof;  
 FIG. 5 is a right side view thereof;  
 FIG. 6 is a top view thereof;  
 FIG. 7 is a bottom view thereof;  
 FIG. 8 is a bottom perspective view thereof; and,  
 FIG. 9 is a reference view showing a use state thereof.  
 The broken lines represent environmental subject matter and form no part of the claimed design.

**1 Claim, 9 Drawing Sheets**

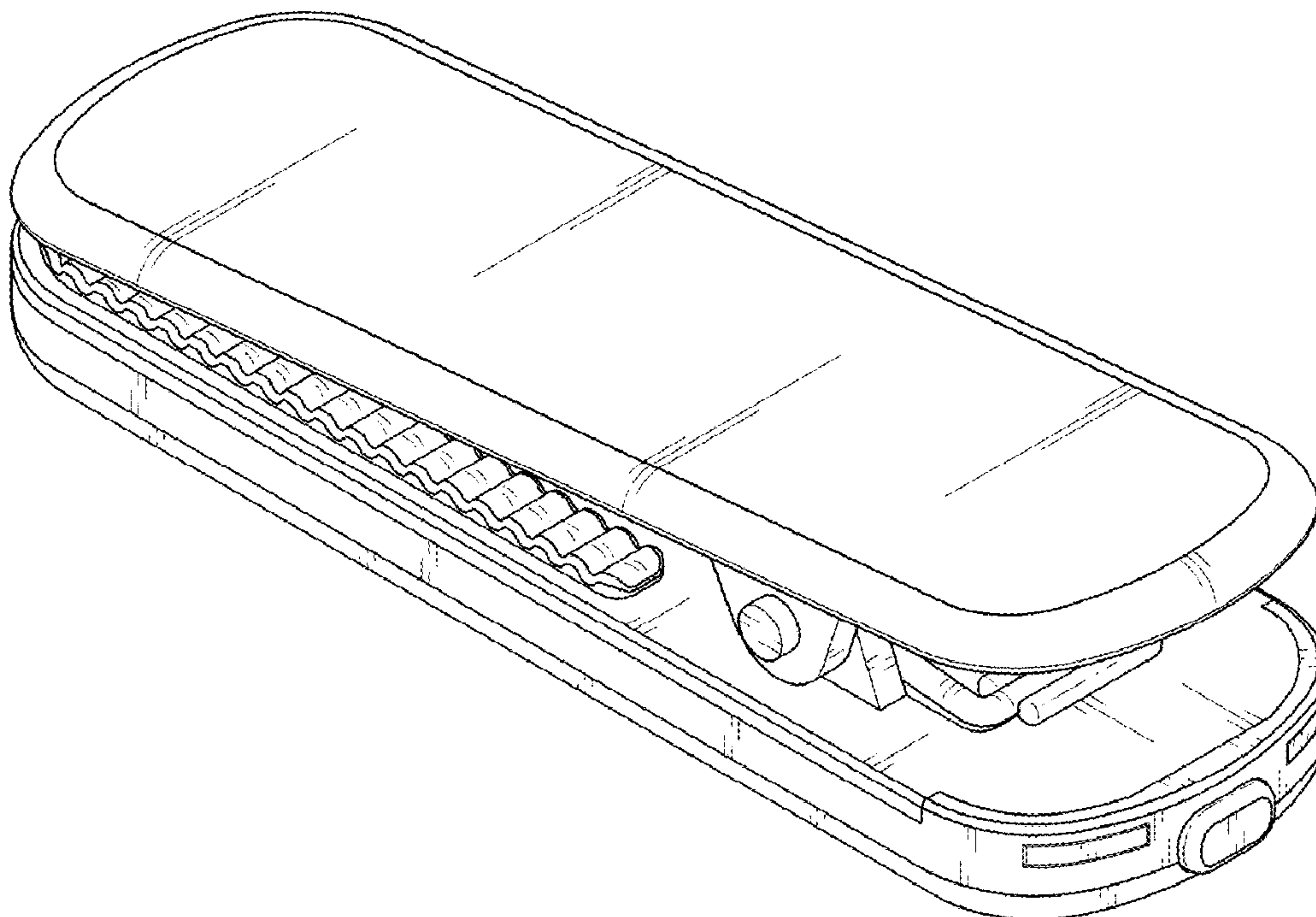


FIG. 1

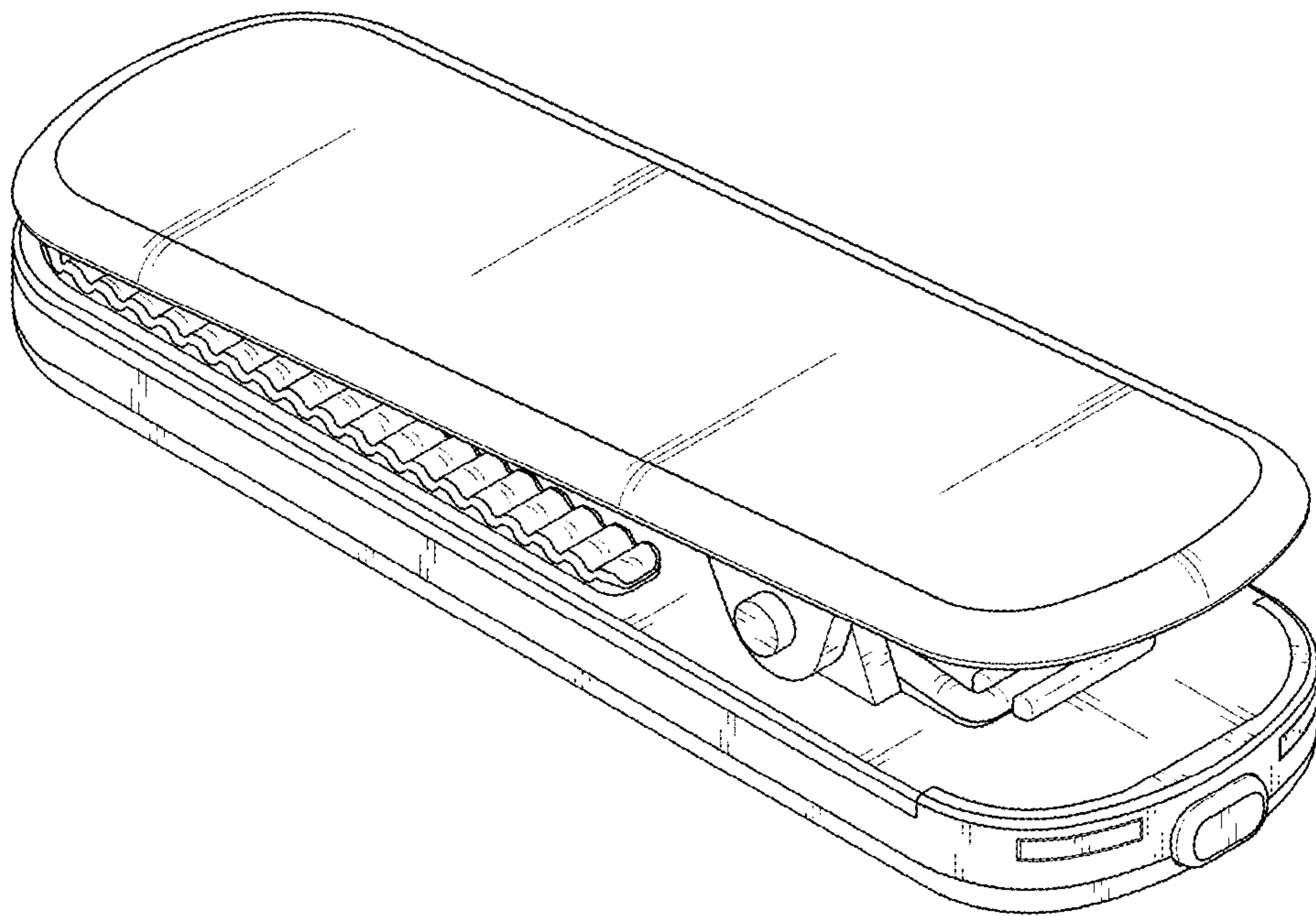


FIG. 2

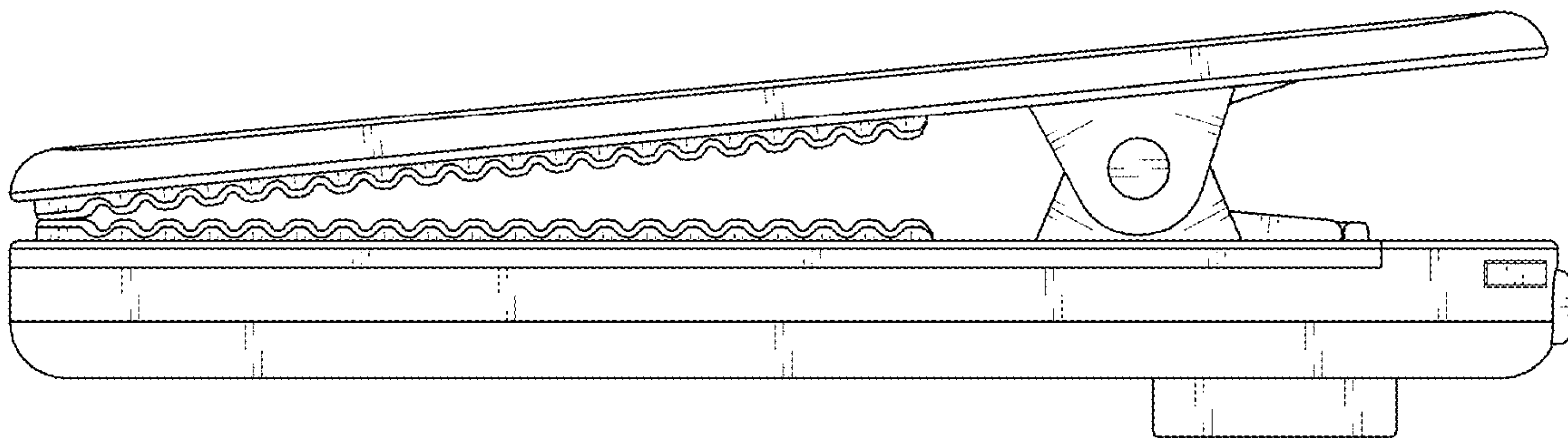
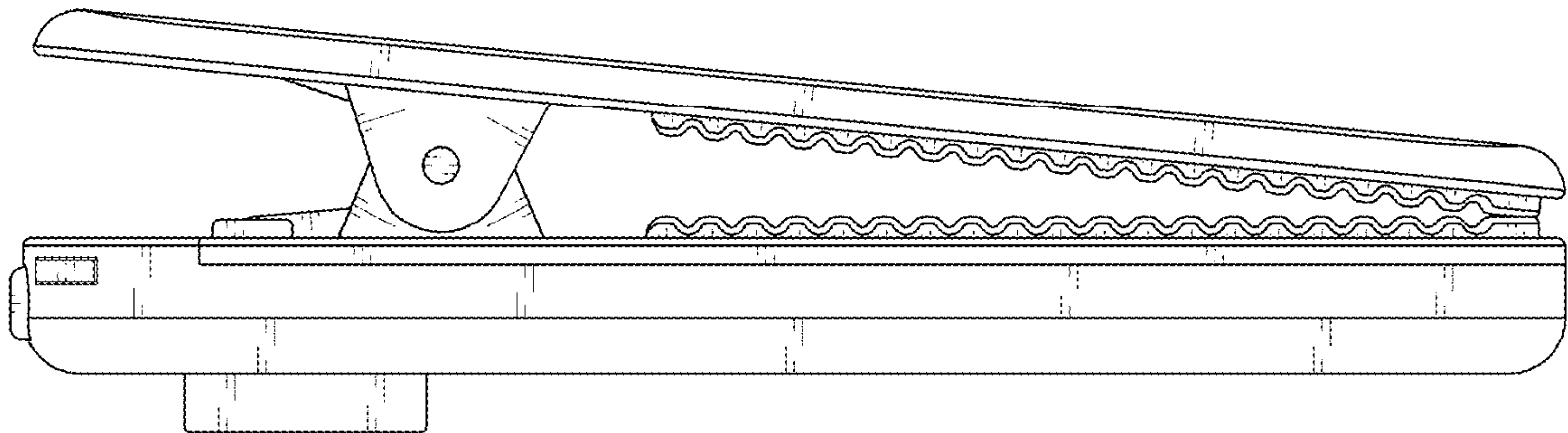


FIG. 3



**FIG. 4**

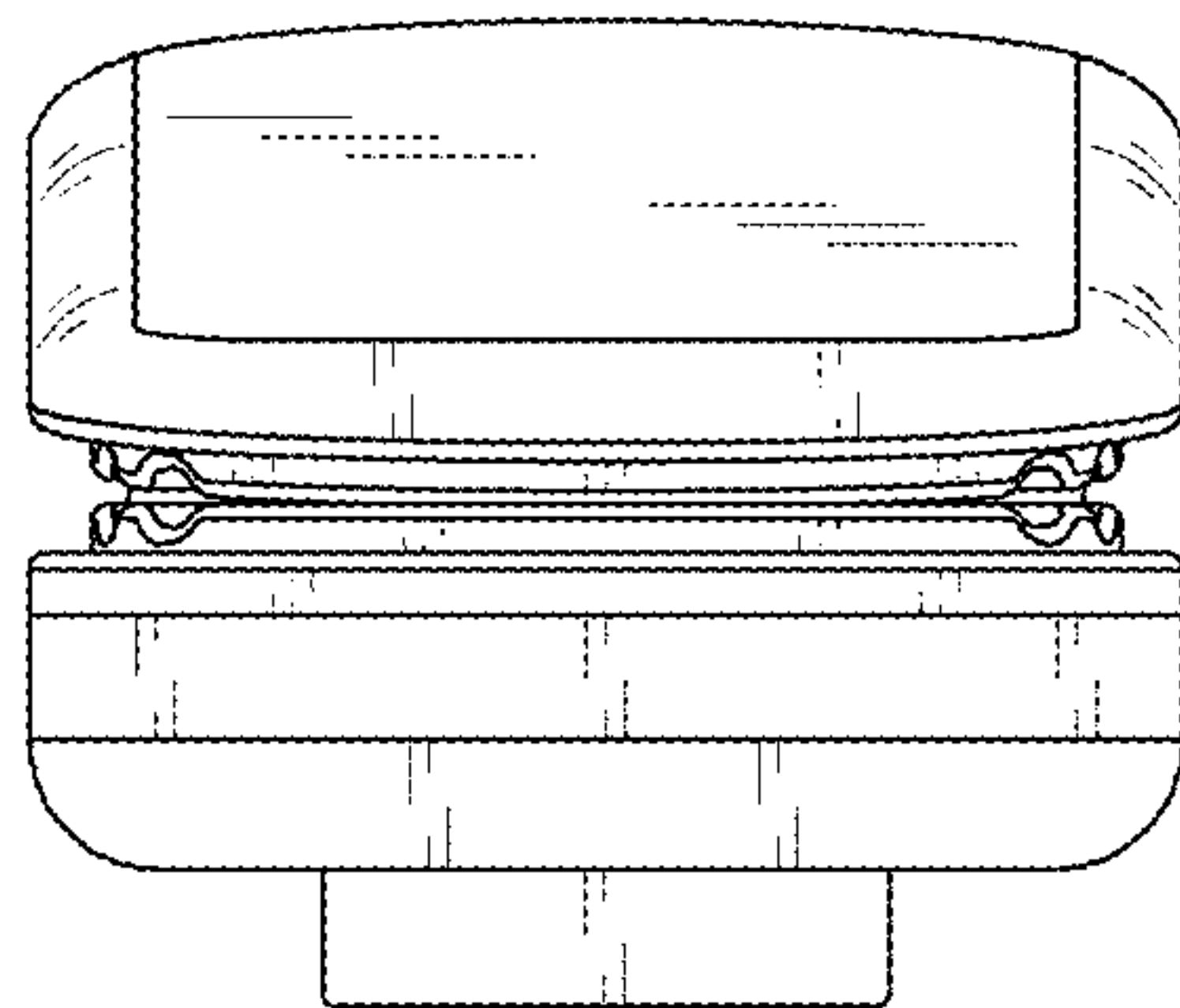


FIG. 5

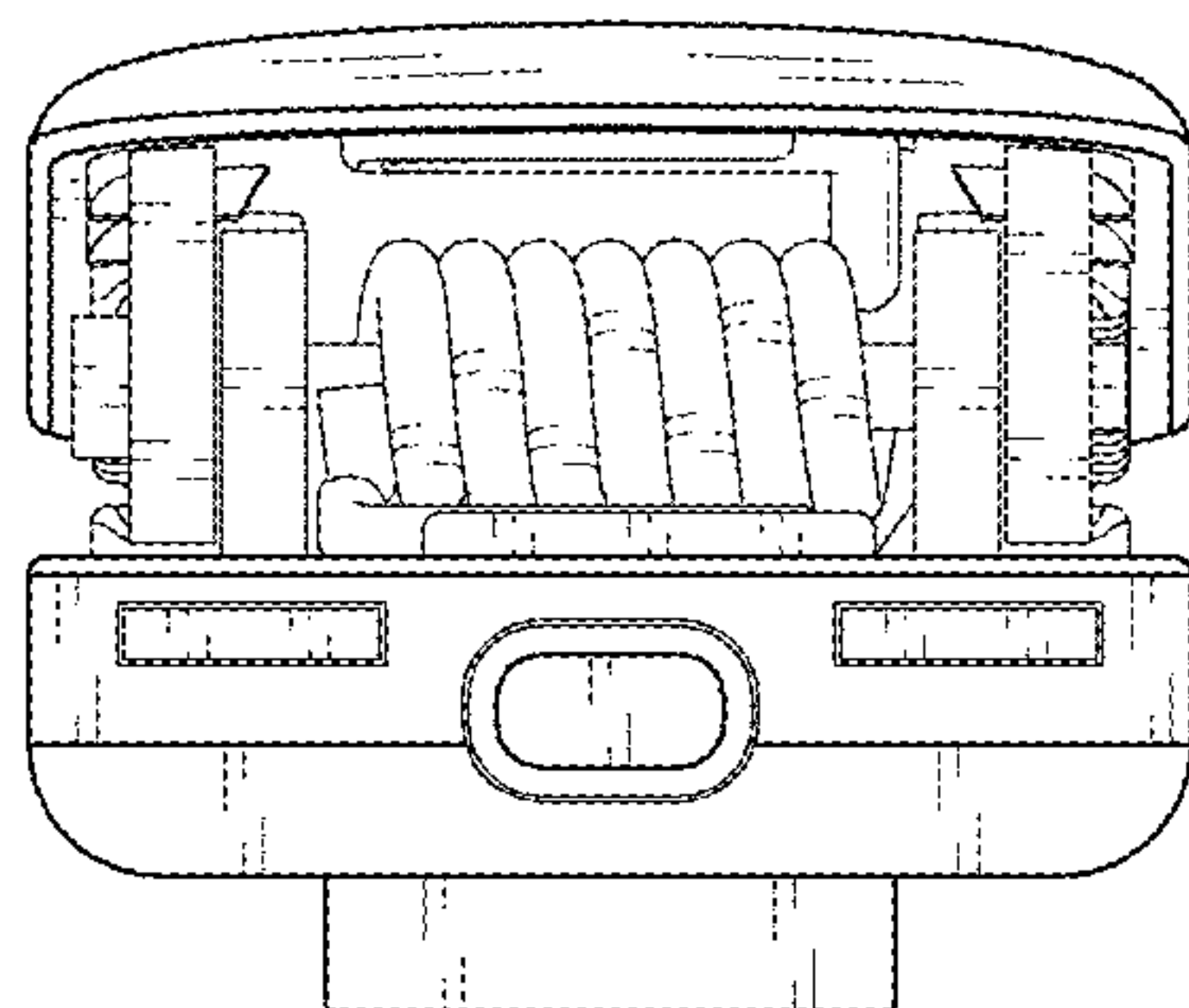


FIG. 6

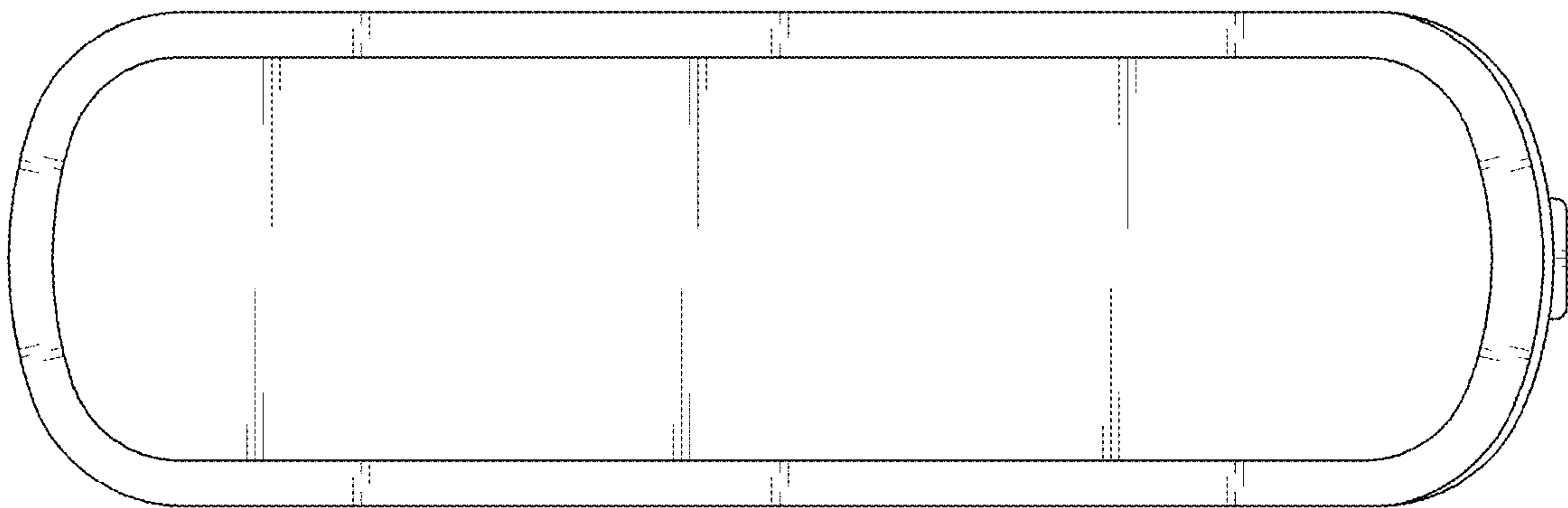




FIG. 7

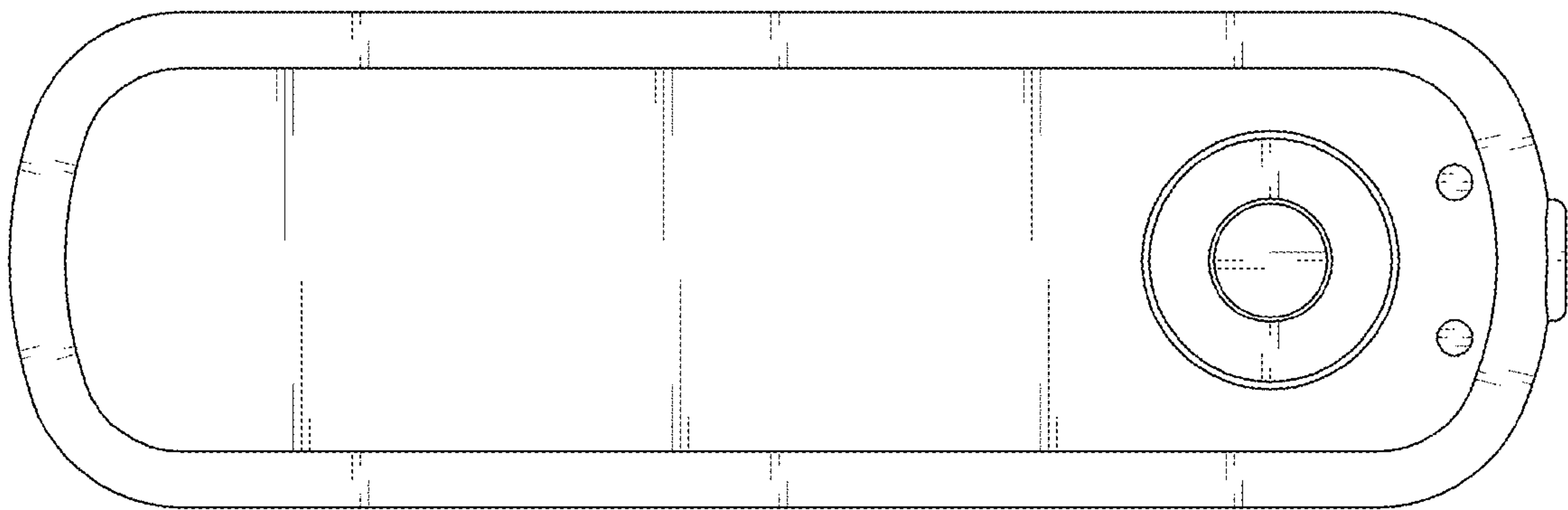




FIG. 8

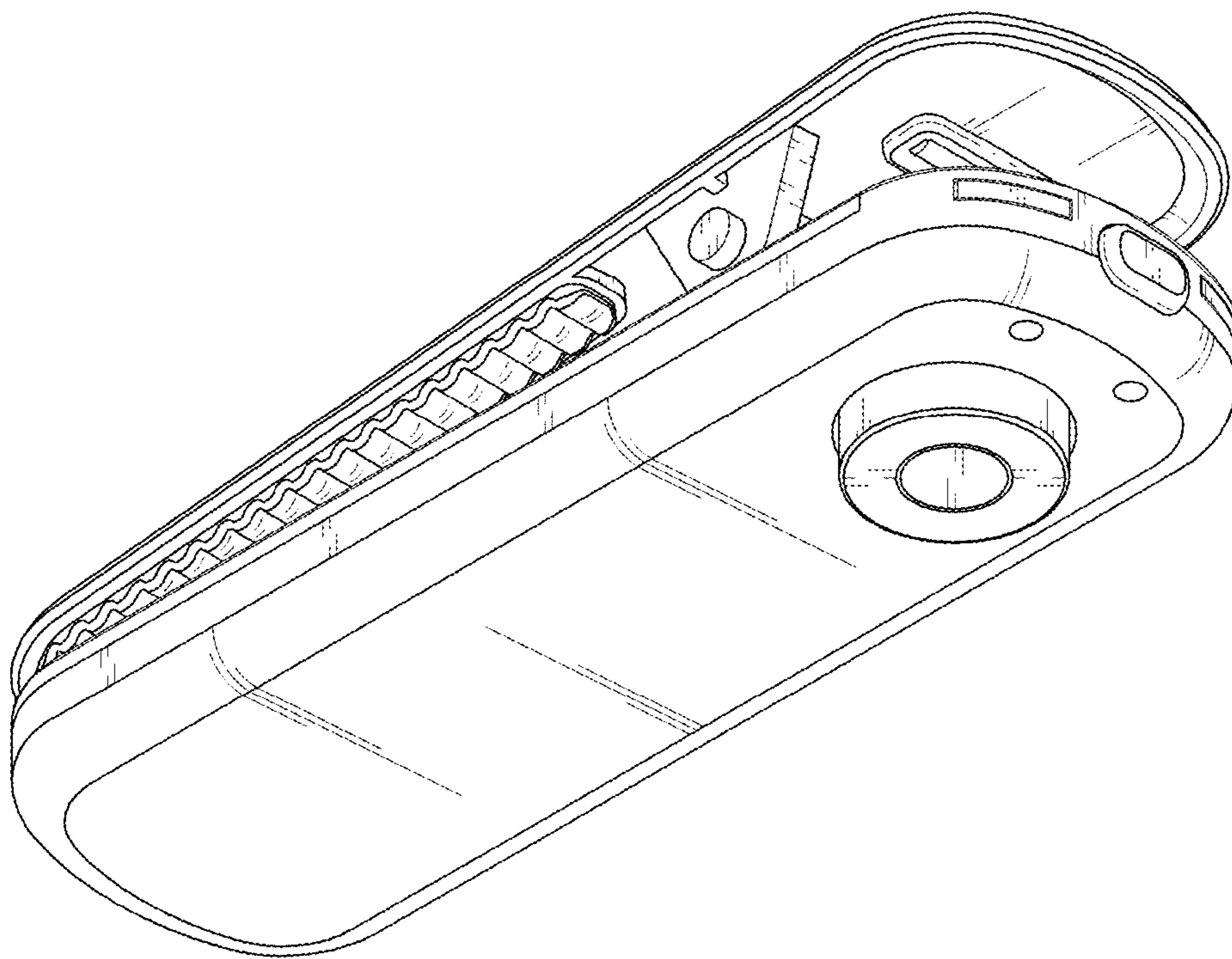


FIG. 9

