



US00D952159S

(12) **United States Design Patent**  
**Massad**

(10) **Patent No.:** **US D952,159 S**

(45) **Date of Patent:** **\*\* May 17, 2022**

(54) **SET OF DENTAL TRAYS**

(71) Applicant: **Joseph J. Massad**, Tulsa, OK (US)

(72) Inventor: **Joseph J. Massad**, Tulsa, OK (US)

(73) Assignee: **Global Dental Impression Trays, Inc.**,  
Tulsa, OK (US)

(\*\*) Term: **15 Years**

(21) Appl. No.: **29/767,275**

(22) Filed: **Jan. 21, 2021**

(51) **LOC (13) Cl.** ..... **24-02**

(52) **U.S. Cl.**  
USPC ..... **D24/181**

(58) **Field of Classification Search**  
USPC ..... D24/108, 152, 176, 180-182; D29/108  
(Continued)

(56) **References Cited**

**U.S. PATENT DOCUMENTS**

3,690,004 A \* 9/1972 Frush ..... A61C 9/0006  
433/37  
4,569,342 A \* 2/1986 von Nostitz ..... A61K 6/90  
128/862

(Continued)

**FOREIGN PATENT DOCUMENTS**

EM 000992631-0002 \* 9/2008

*Primary Examiner* — Jonathan J Han

*Assistant Examiner* — Amanda J Berlinski

(74) *Attorney, Agent, or Firm* — Crowe & Dunlevy, P.C.

(57) **CLAIM**

The ornamental design for a set of dental trays, as shown and described.

**DESCRIPTION**

FIG. 1 is a perspective view of a first embodiment of the lower tray of the set of dental trays;

FIG. 2 is a front view thereof;  
FIG. 3 is a back view thereof;  
FIG. 4 is a left side view thereof;  
FIG. 5 is a right side view thereof;  
FIG. 6 is a top view thereof;  
FIG. 7 is a bottom view thereof;  
FIG. 8 is a perspective view of a first embodiment of the upper tray of the set of dental trays;  
FIG. 9 is a front view thereof;  
FIG. 10 is a back view thereof;  
FIG. 11 is a left side view thereof;  
FIG. 12 is a right side view thereof;  
FIG. 13 is a top view thereof;  
FIG. 14 is a bottom view thereof;  
FIG. 15 is a perspective view of a second embodiment of the lower tray of the set of dental trays;  
FIG. 16 is a front view thereof;  
FIG. 17 is a back view thereof;  
FIG. 18 is a left side view thereof;  
FIG. 19 is a right side view thereof;  
FIG. 20 is a top view thereof;  
FIG. 21 is a bottom view thereof;  
FIG. 22 is a perspective view of a second embodiment of the upper tray of the set of dental trays;  
FIG. 23 is a front view thereof;  
FIG. 24 is a back view thereof;  
FIG. 25 is a left side view thereof;  
FIG. 26 is a right side view thereof;  
FIG. 27 is a top view thereof;  
FIG. 28 is a bottom view thereof;  
FIG. 29 is a perspective view of a third embodiment of the lower tray of the set of dental trays;  
FIG. 30 is a front view thereof;  
FIG. 31 is a back view thereof;  
FIG. 32 is a left side view thereof;  
FIG. 33 is a right side view thereof;  
FIG. 34 is a top view thereof;  
FIG. 35 is a bottom view thereof;  
FIG. 36 is a perspective view of a third embodiment of the upper tray of the set of dental trays;  
FIG. 37 is a front view thereof;  
FIG. 38 is a back view thereof;  
FIG. 39 is a left side view thereof;  
FIG. 40 is a right side view thereof;

(Continued)

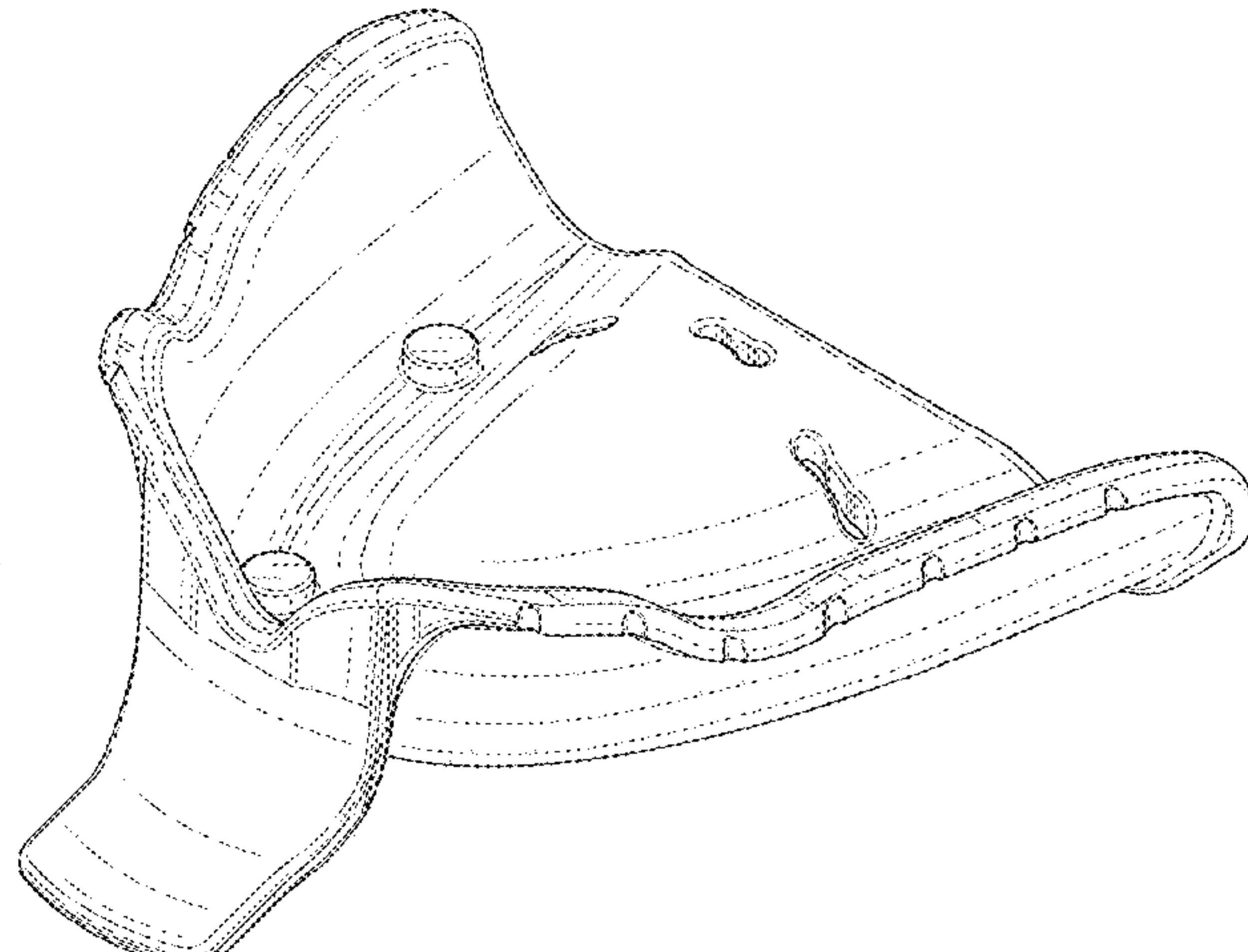
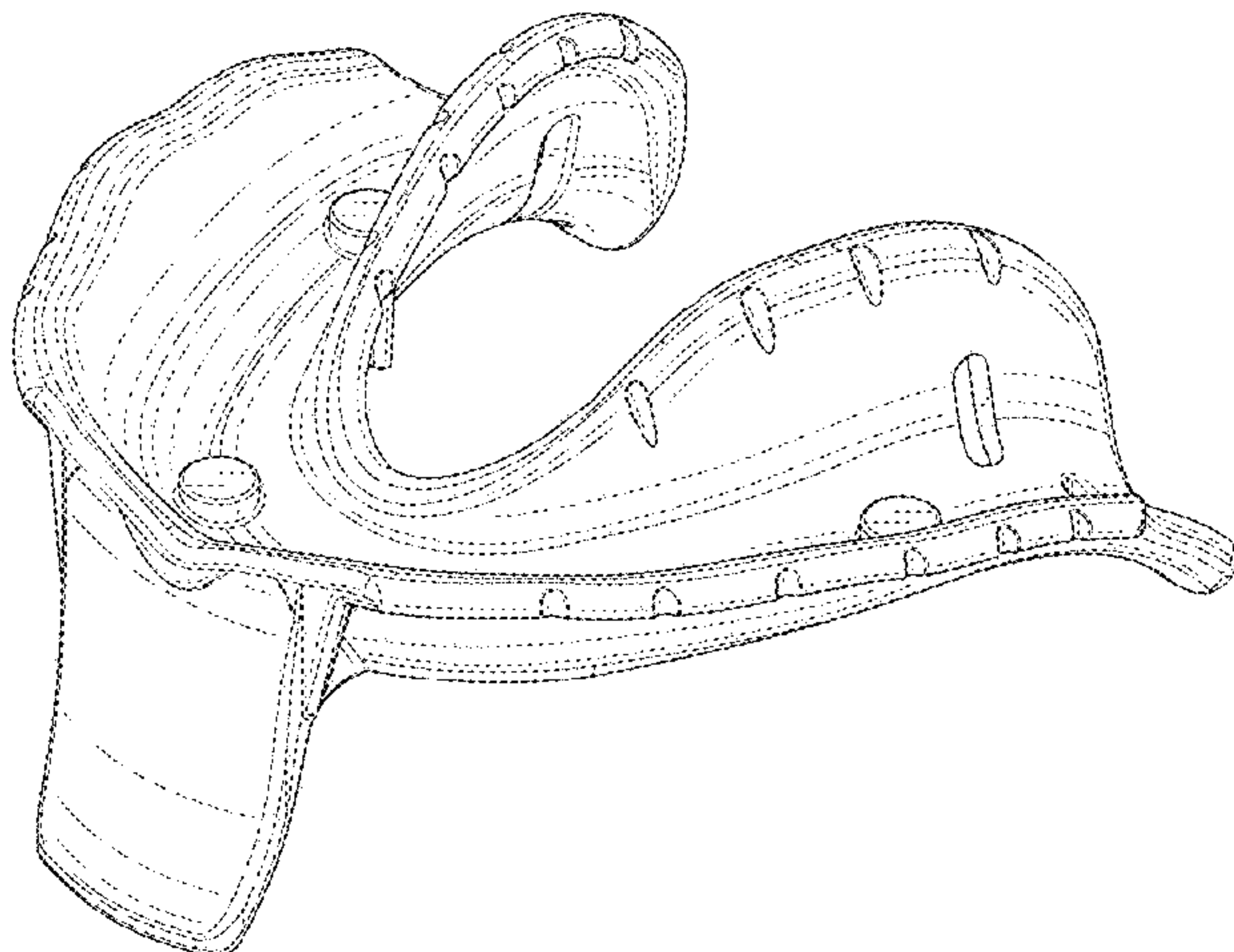


FIG. 41 is a top view thereof; and,  
FIG. 42 is a bottom view thereof.

**1 Claim, 42 Drawing Sheets**

(58) **Field of Classification Search**

CPC ..... A61C 9/00; A61C 9/0006; A61C 19/006;  
A61C 19/063; A61C 19/066

See application file for complete search history.

(56)

**References Cited**

U.S. PATENT DOCUMENTS

5,336,086 A \* 8/1994 Simmen ..... A61C 9/0006  
433/37  
D372,088 S \* 7/1996 Frush ..... D24/181  
D372,096 S \* 7/1996 Frush ..... D24/181  
6,428,315 B1 \* 8/2002 Prestipino ..... A61C 9/0006  
433/37  
6,584,978 B1 \* 7/2003 Brett ..... A63B 71/085  
128/859  
D631,550 S \* 1/2011 Massad ..... D24/181  
D632,395 S \* 2/2011 Massad ..... D24/181  
D648,900 S \* 11/2011 Manzo ..... D29/108  
D673,277 S \* 12/2012 Wagner ..... D24/181  
D686,327 S \* 7/2013 Marumori ..... A61C 9/0006  
D24/181

D686,733 S \* 7/2013 Marumori ..... A63B 71/085  
D24/181  
D706,937 S \* 6/2014 Suga ..... A61C 13/34  
D24/181  
D708,340 S \* 7/2014 Suga ..... A61C 9/0006  
D24/181  
D765,864 S \* 9/2016 Massad ..... D24/181  
D899,600 S \* 10/2020 Li ..... A61C 9/0006  
D24/176  
D927,697 S \* 8/2021 Kurthy ..... A61K 6/90  
D24/181  
D936,228 S \* 11/2021 Kurthy ..... A61C 9/0006  
D24/181  
2005/0032018 A1 \* 2/2005 White ..... A61C 9/0006  
433/41  
2007/0275345 A1 \* 11/2007 Massad ..... A61C 9/0006  
433/48  
2009/0246729 A1 \* 10/2009 Massad ..... A61C 19/05  
433/71  
2012/0148978 A1 \* 6/2012 Suchan ..... A61C 9/0006  
433/38  
2015/0190216 A1 \* 7/2015 Suga ..... A61C 13/34  
433/213  
2016/0113747 A1 \* 4/2016 Almutairi ..... A61C 19/063  
433/27  
2016/0184060 A1 \* 6/2016 Mich ..... A61C 9/0006  
433/36  
2021/0153984 A1 \* 5/2021 Mahn ..... A61C 9/0006

\* cited by examiner

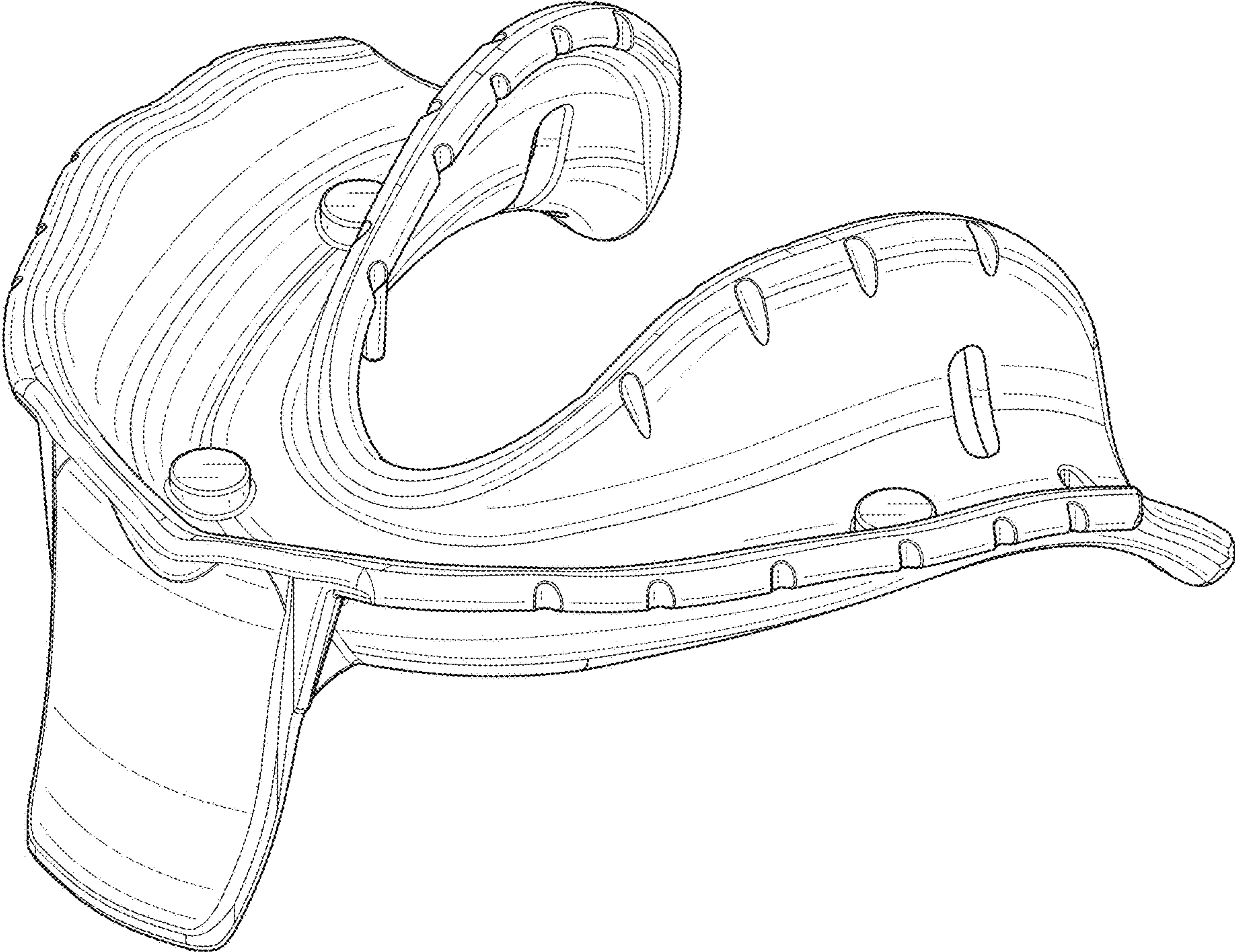


FIG. 1



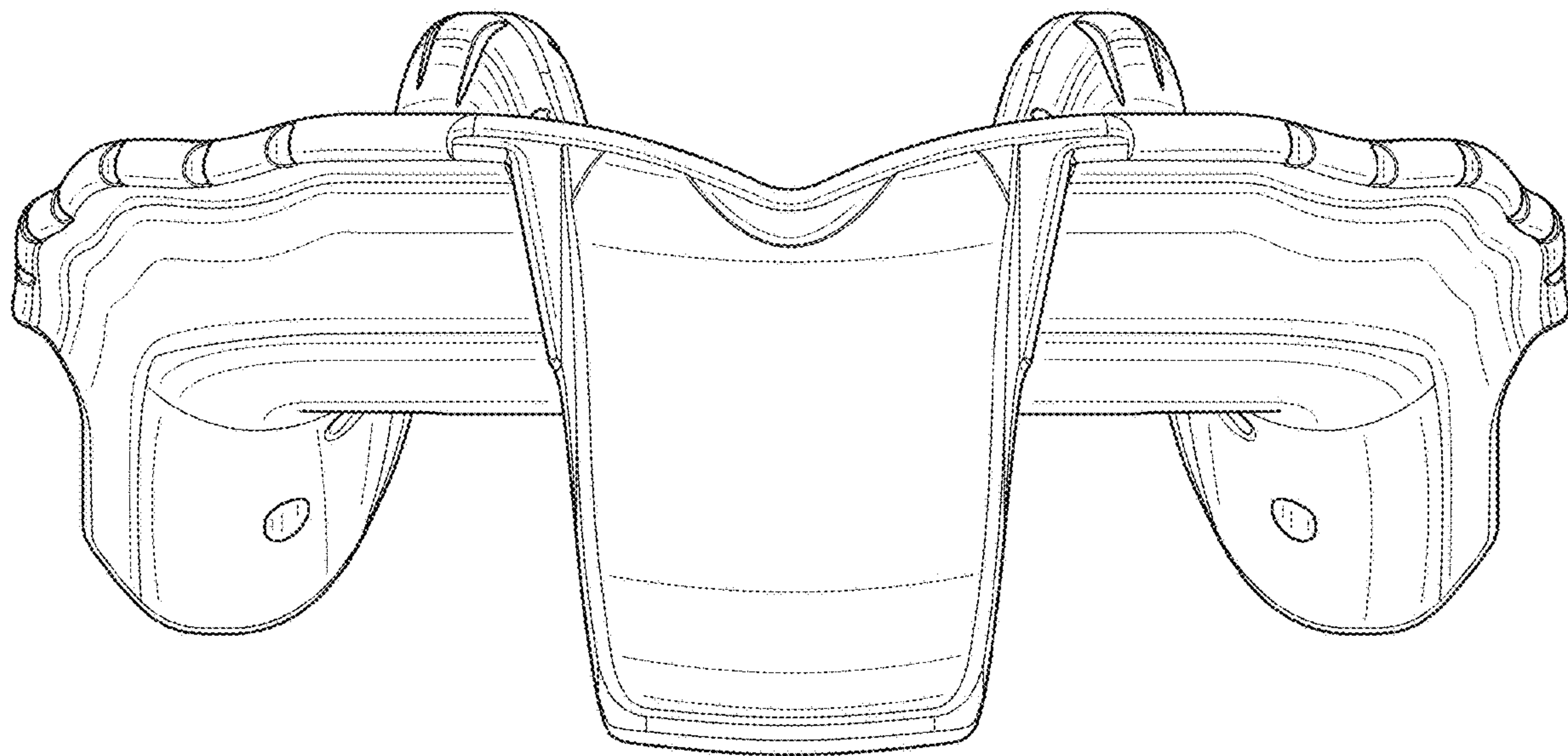


FIG. 2

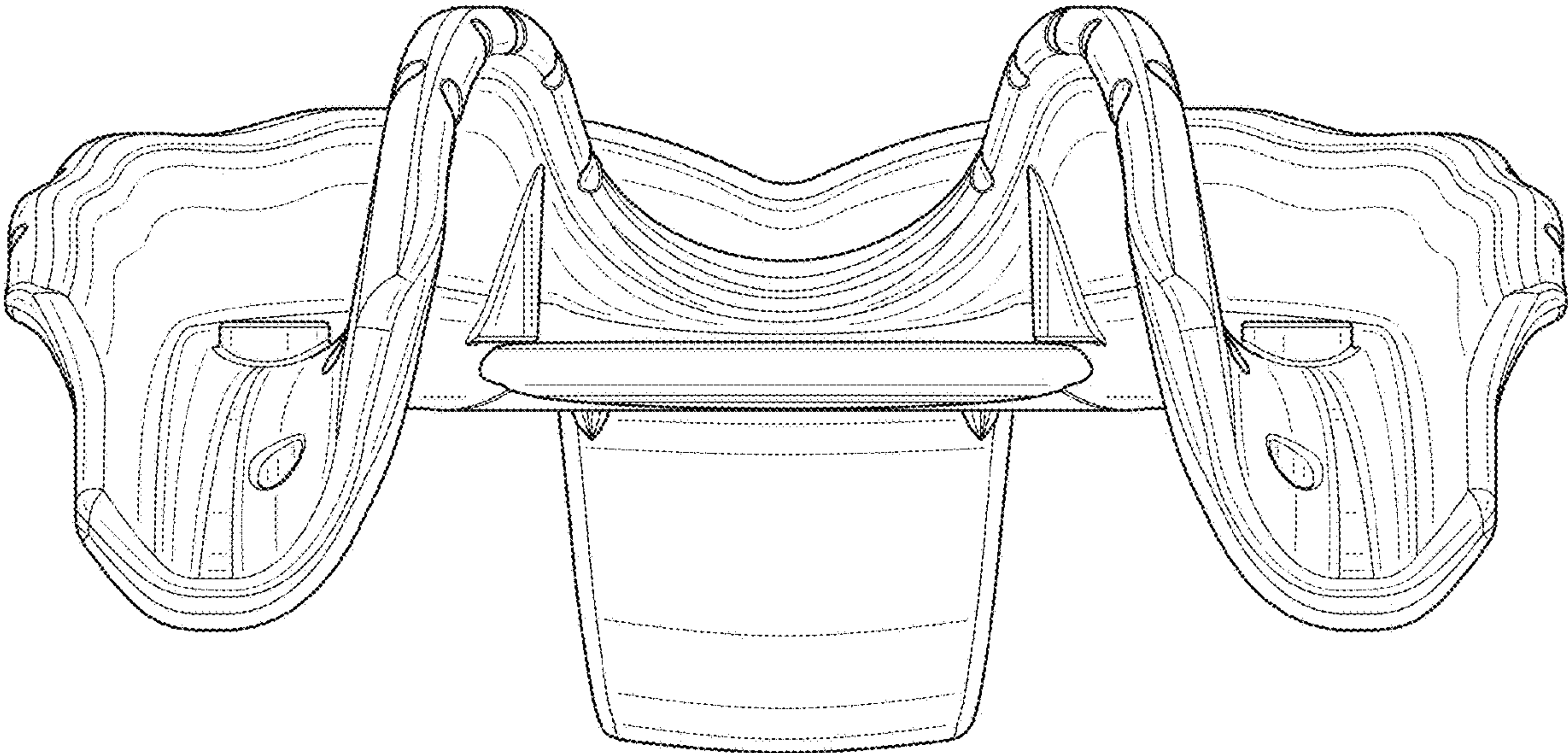


FIG. 3

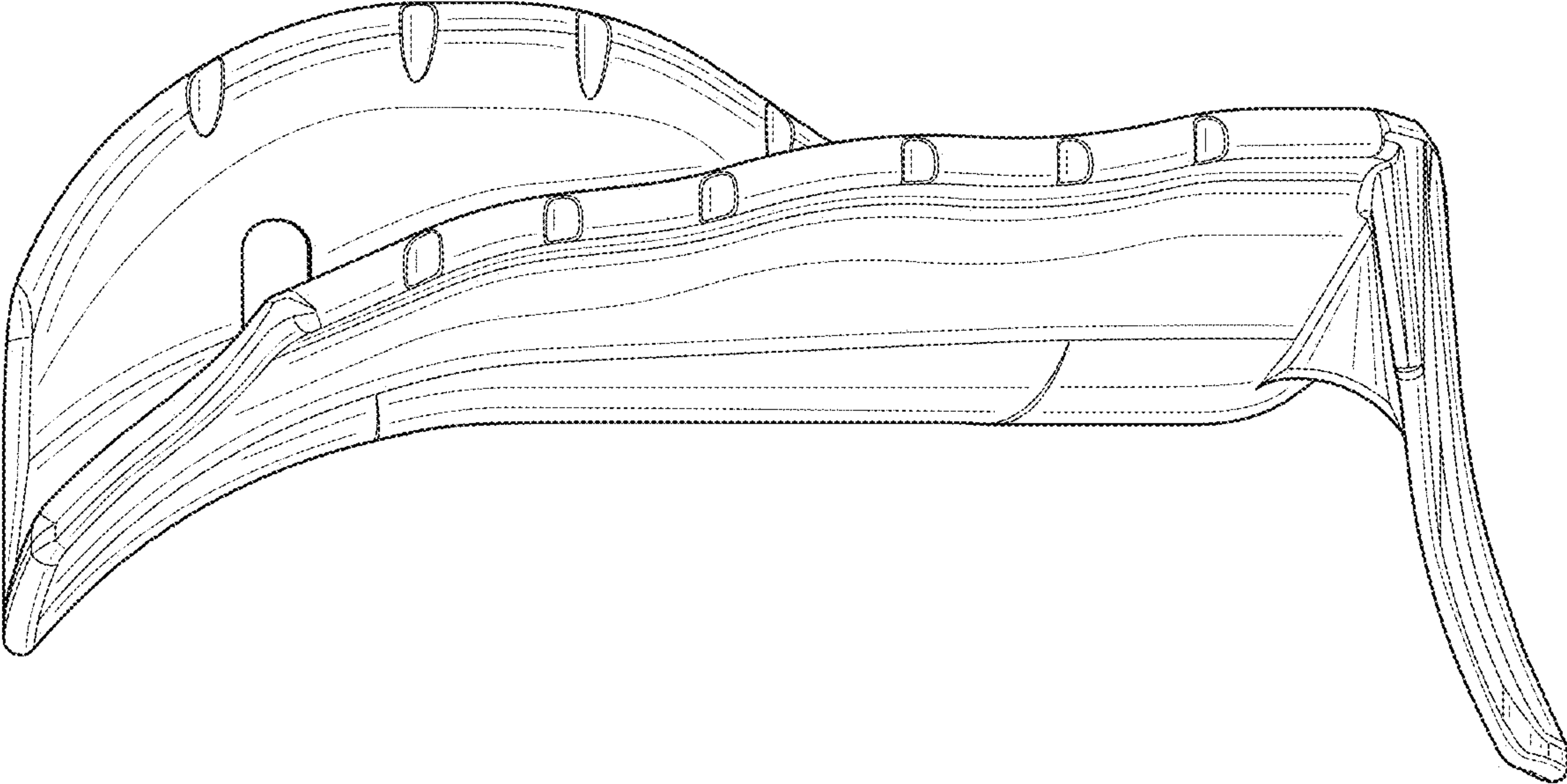


FIG. 4

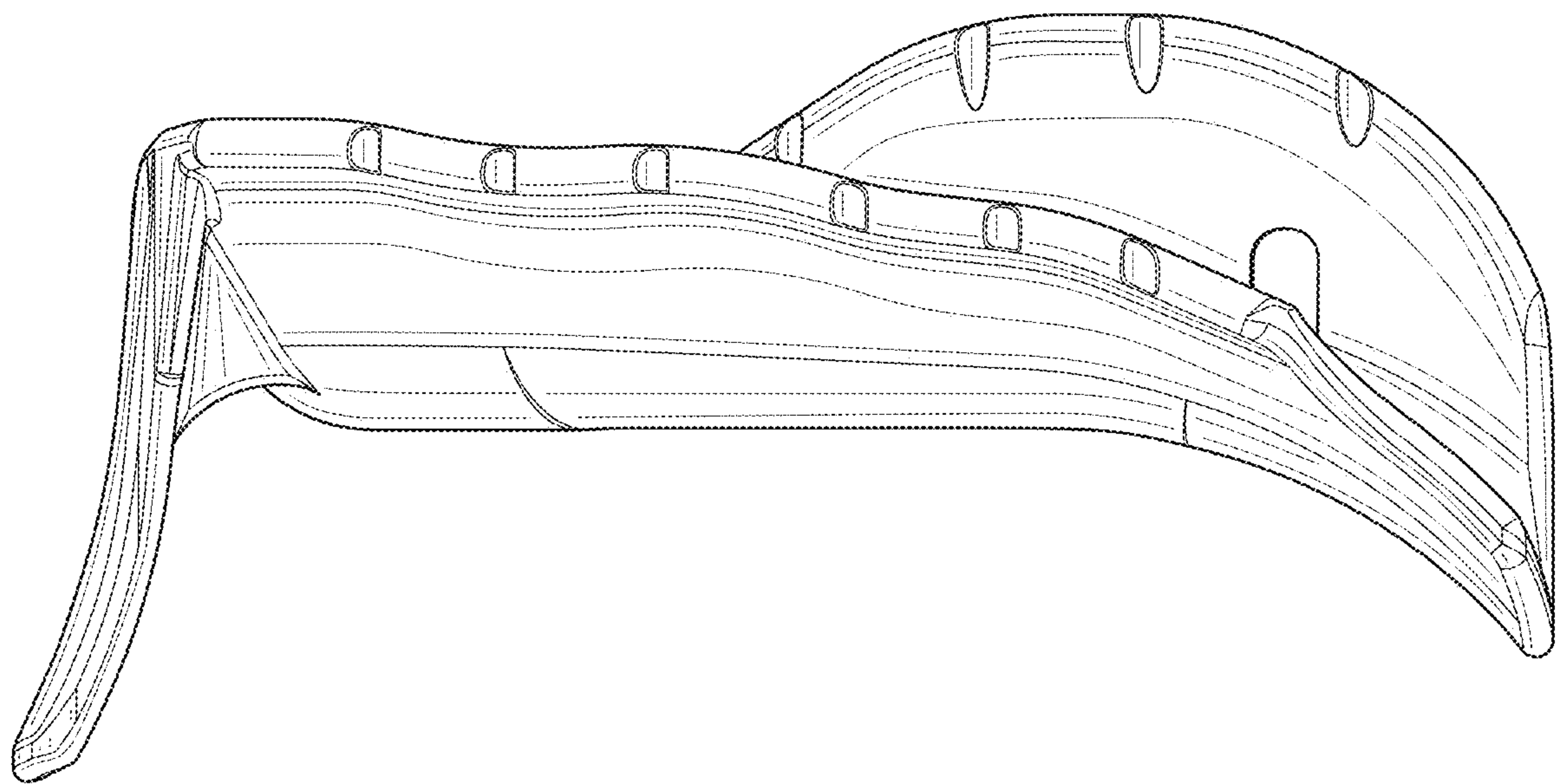


FIG. 5



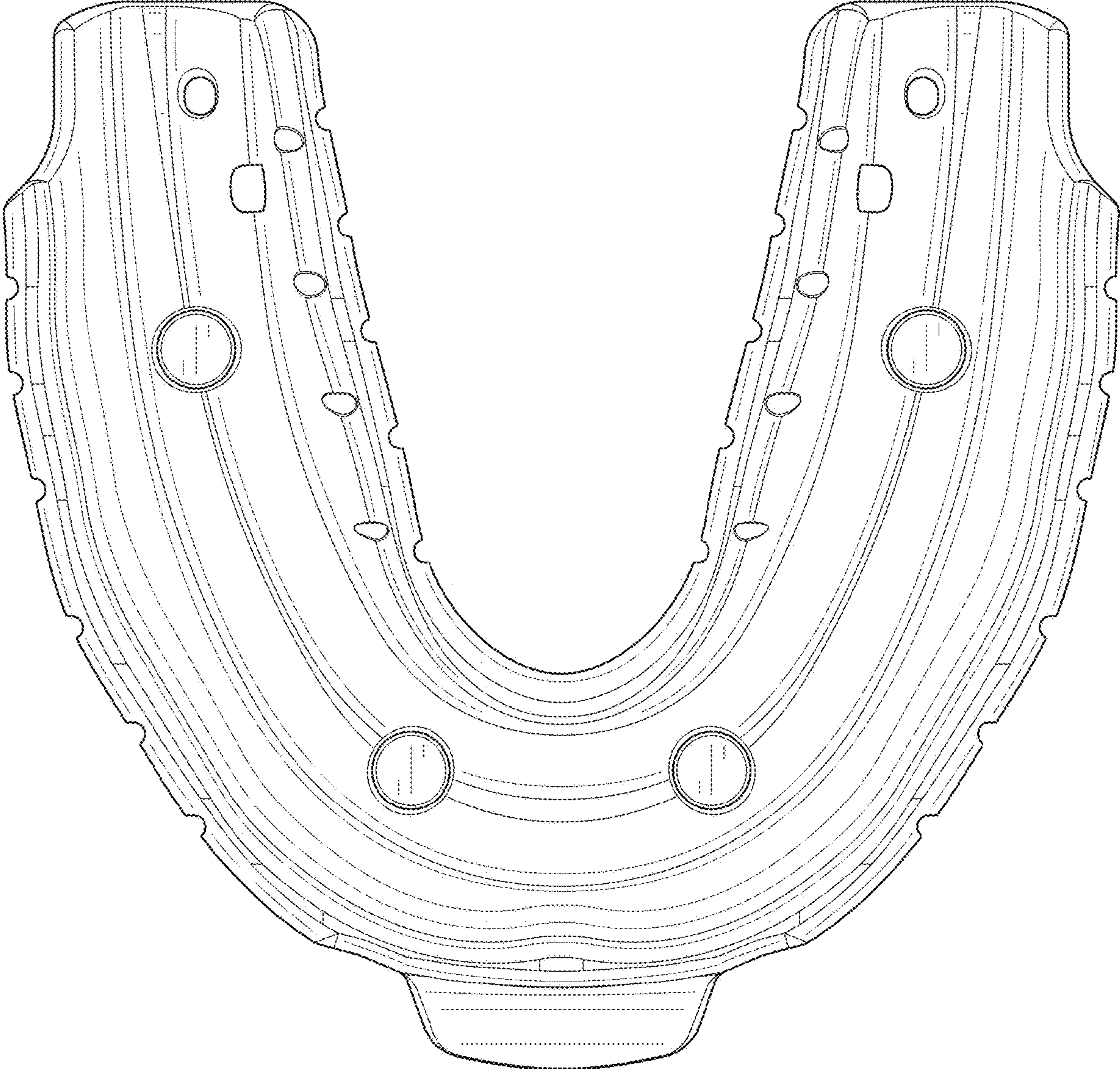


FIG. 6



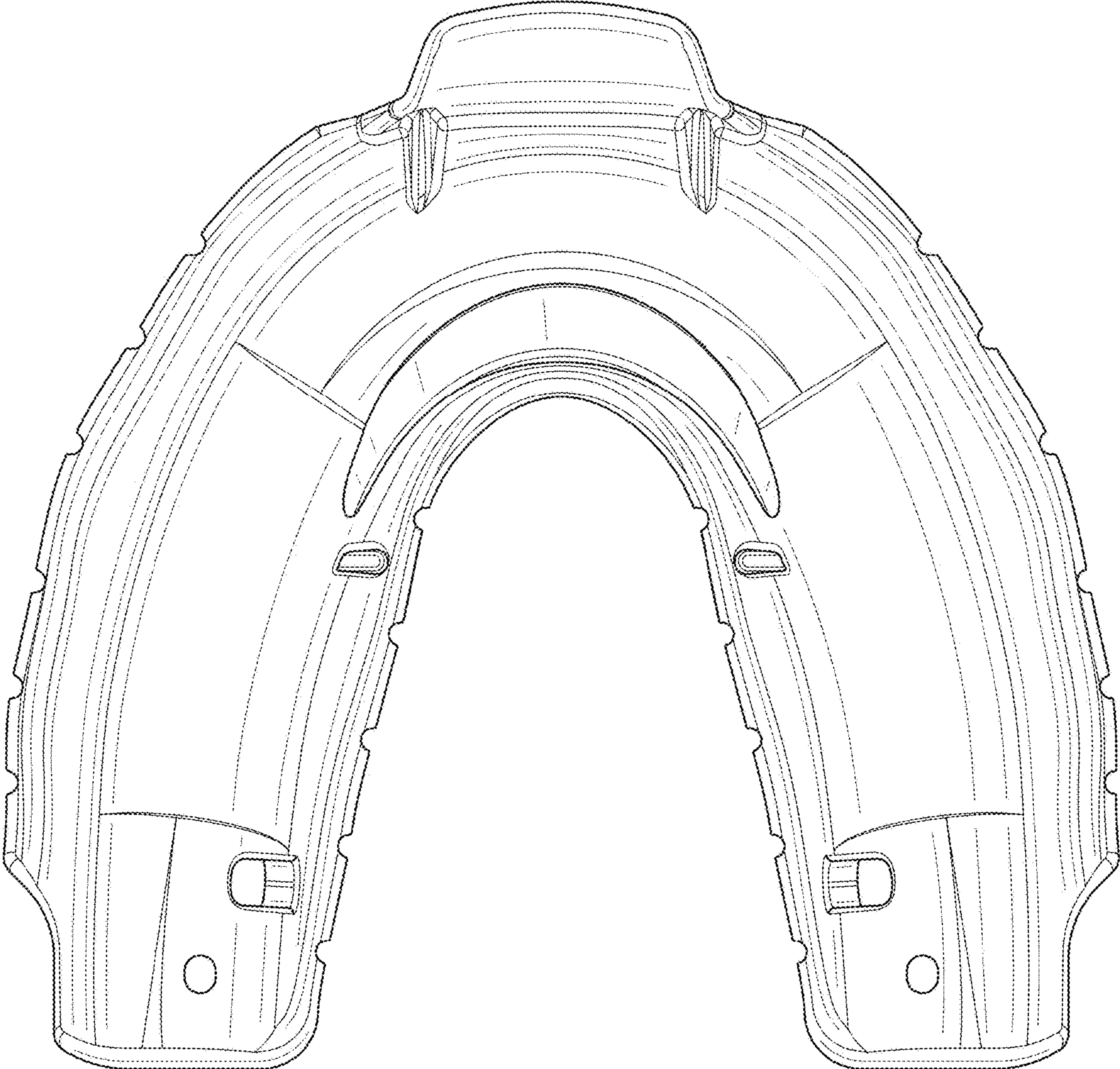


FIG. 7

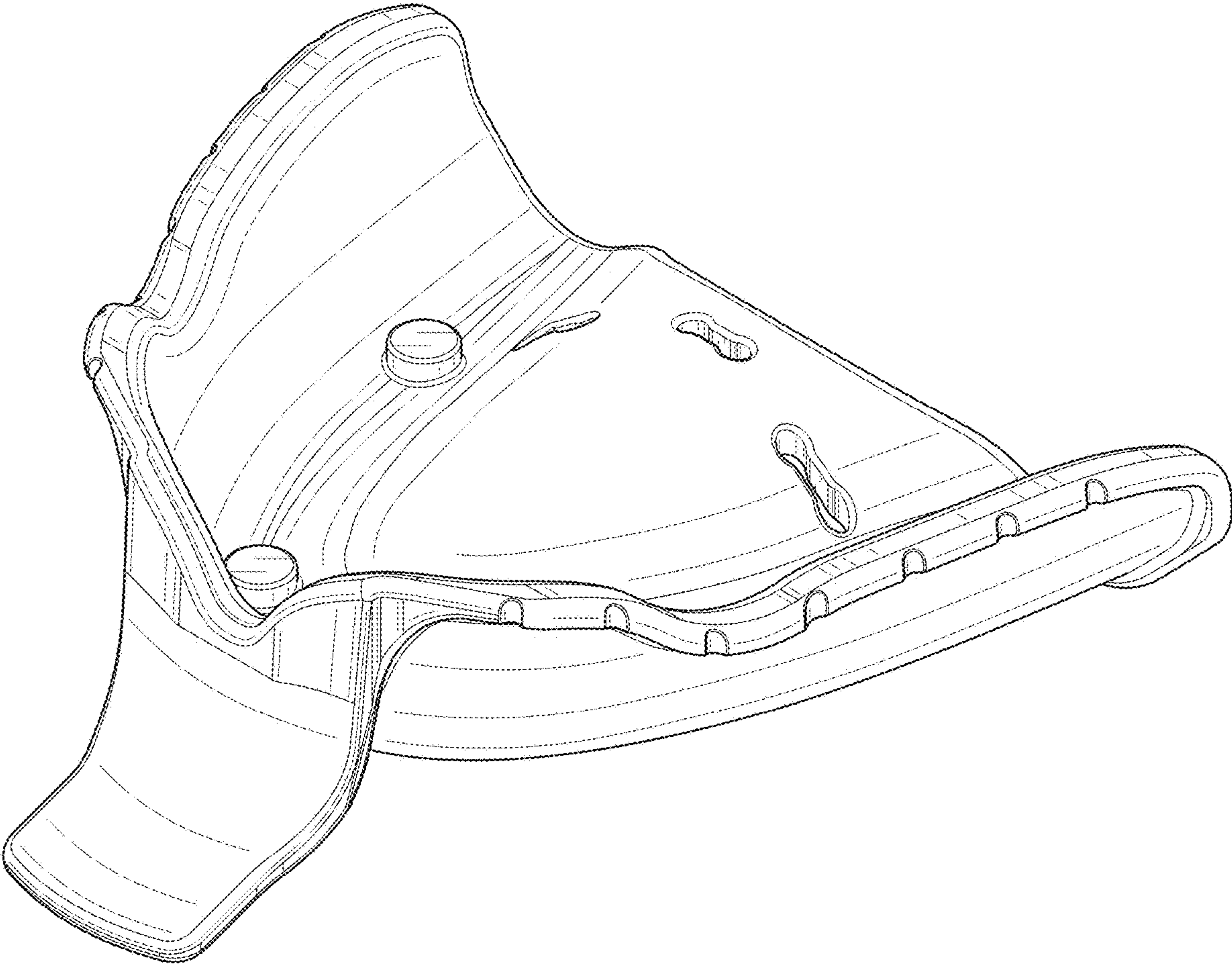


FIG. 8

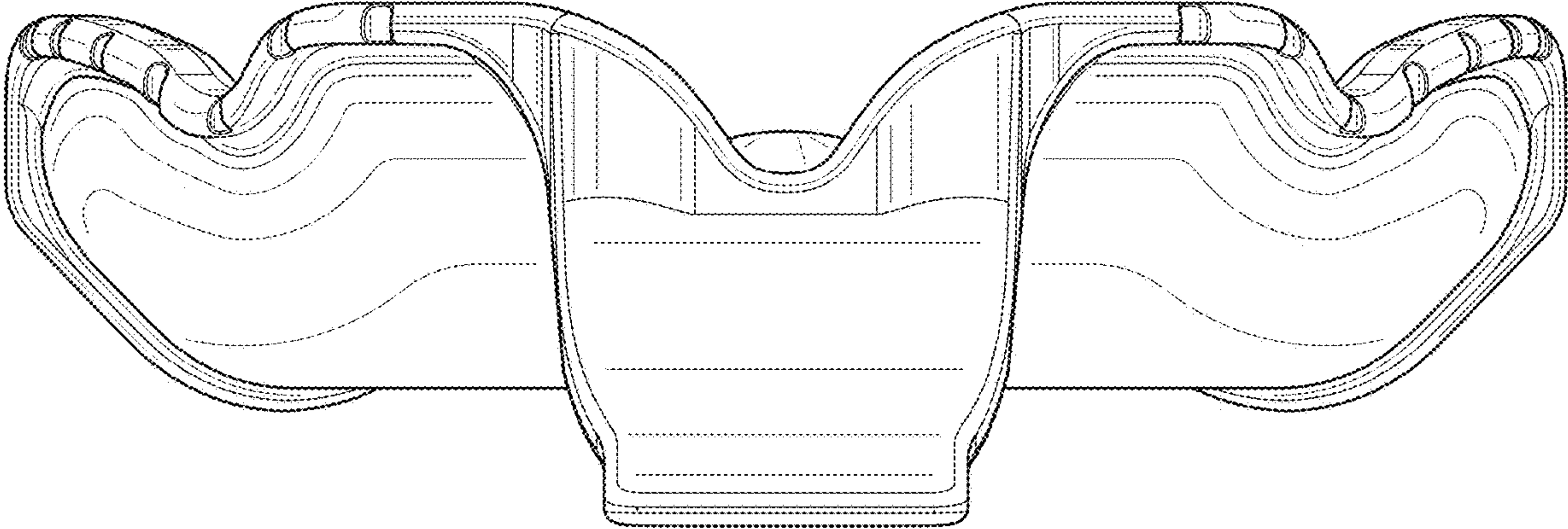


FIG. 9



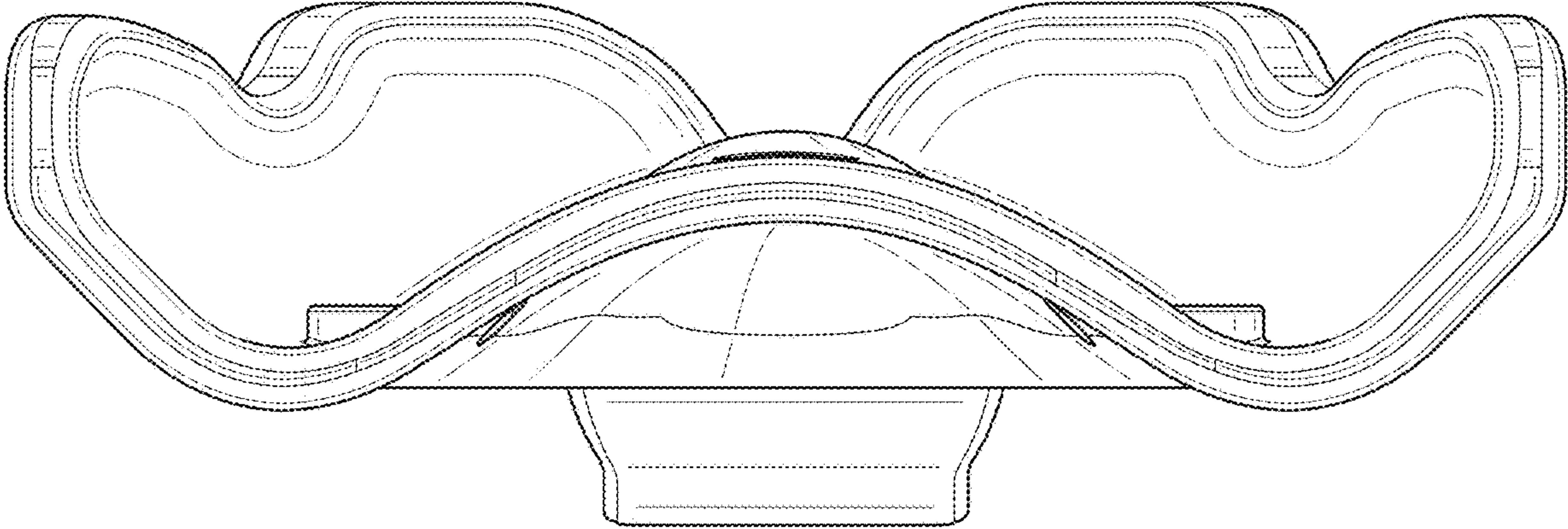


FIG. 10

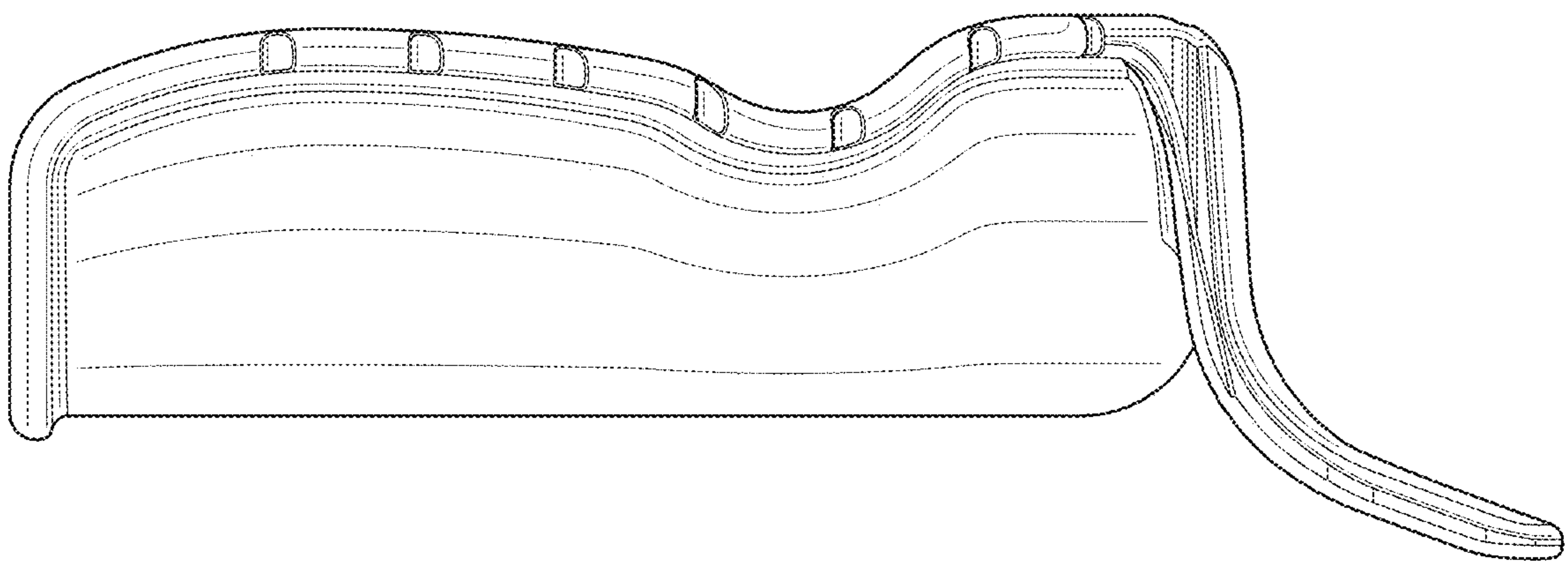


FIG. 11

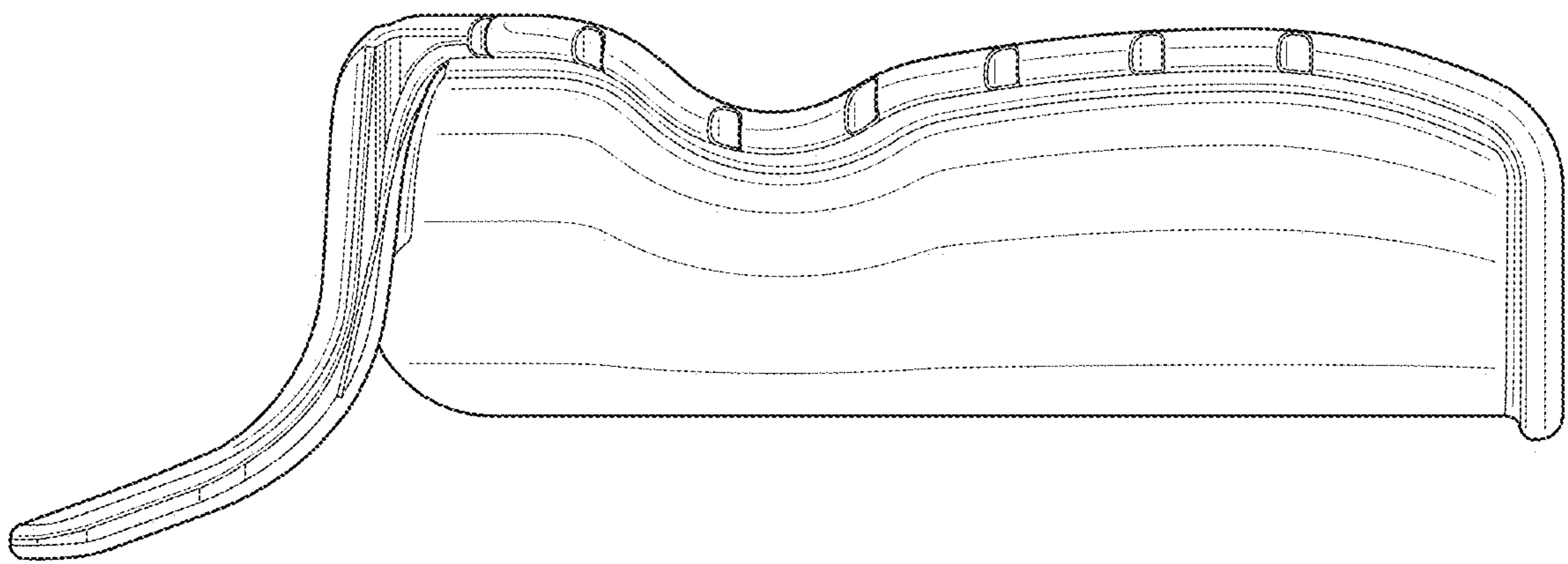


FIG. 12



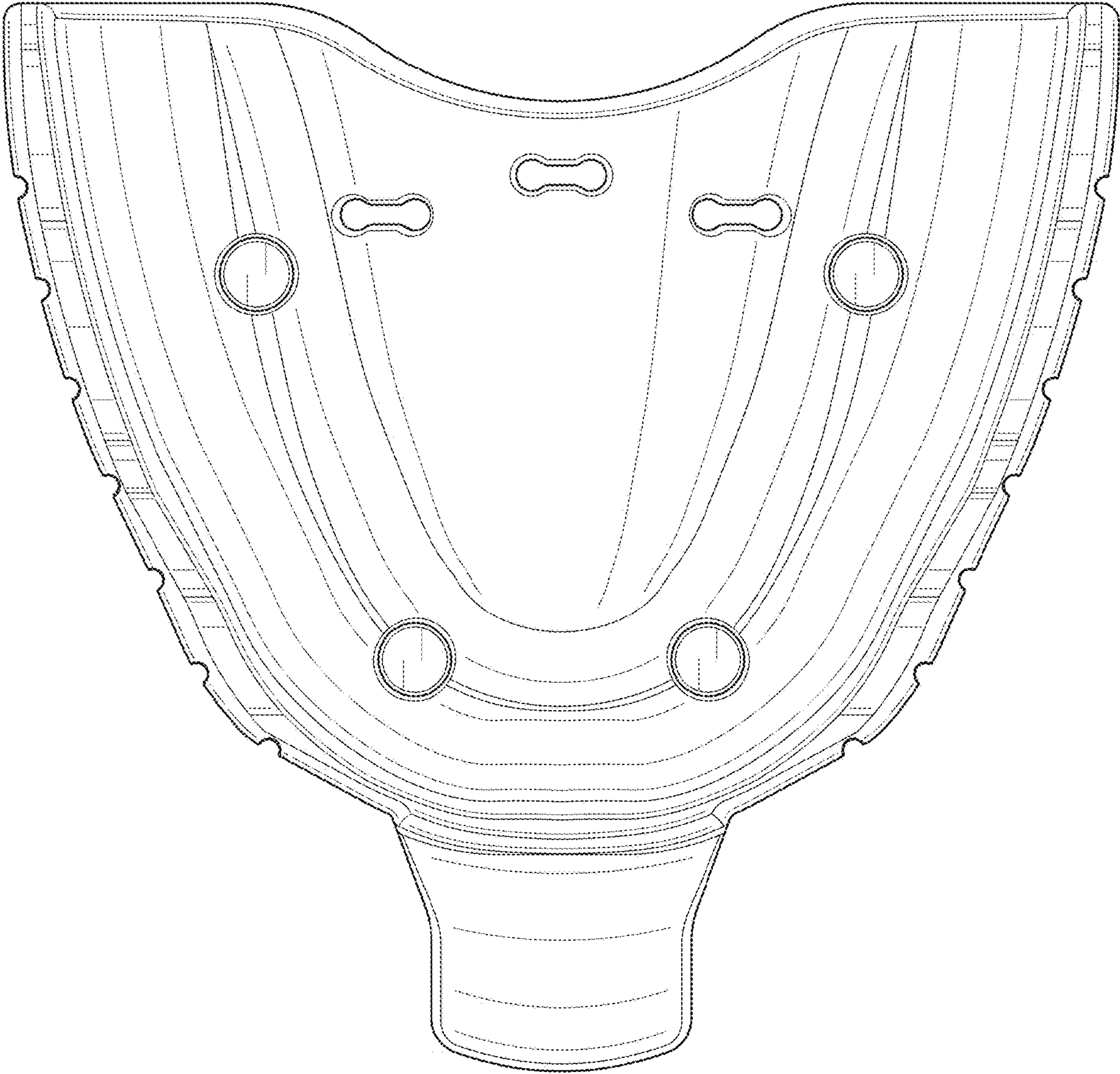


FIG. 13

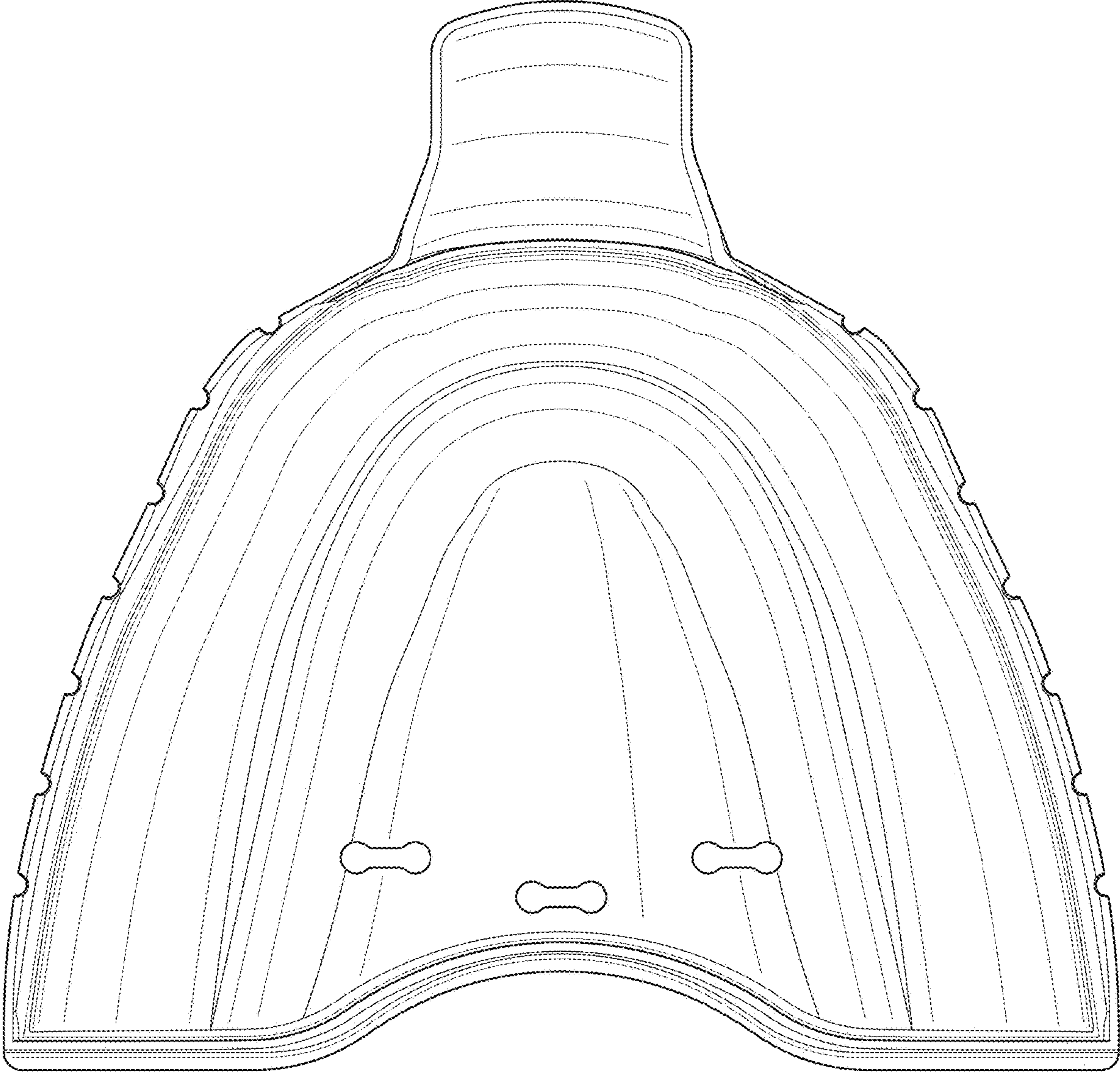


FIG. 14

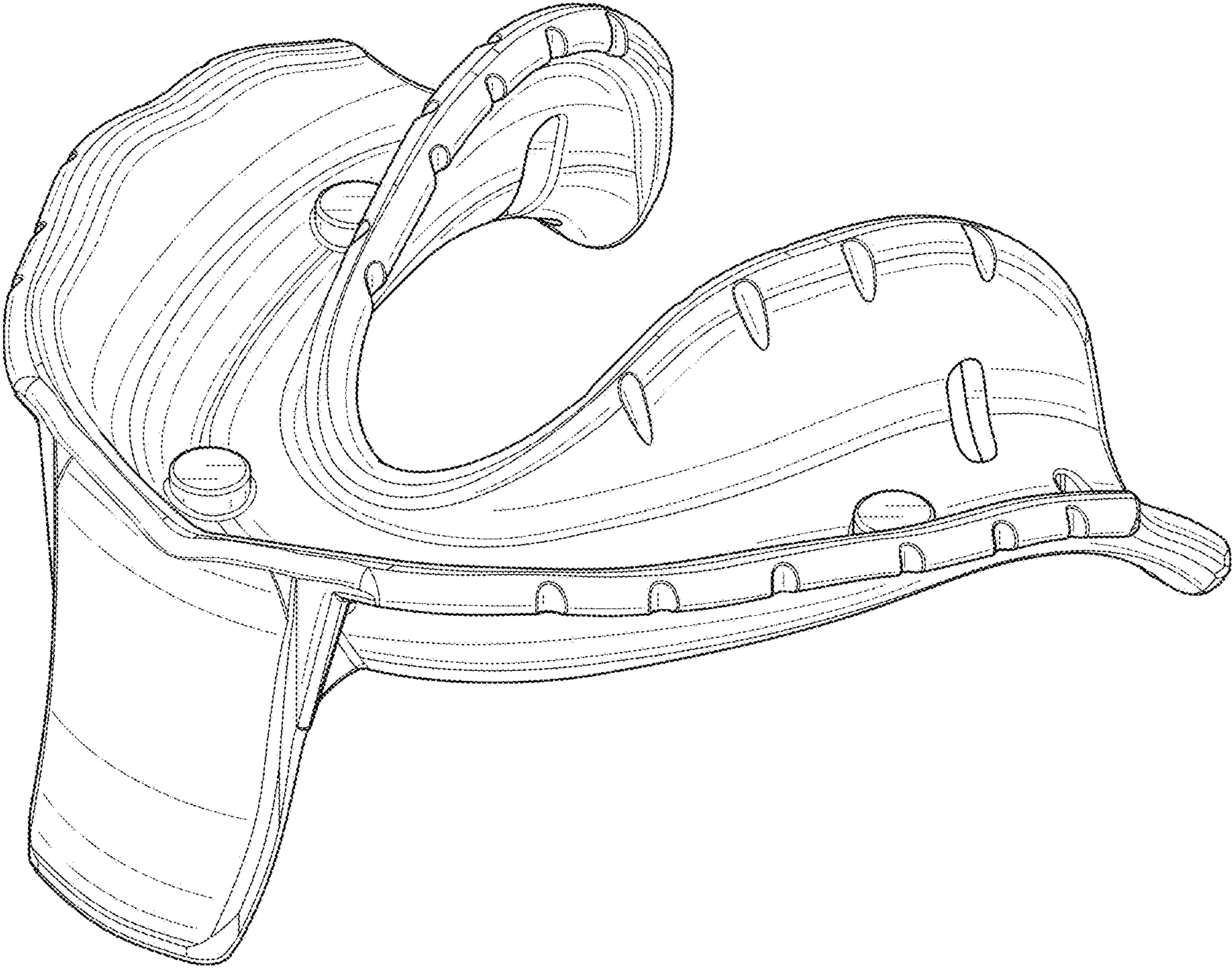


FIG. 15



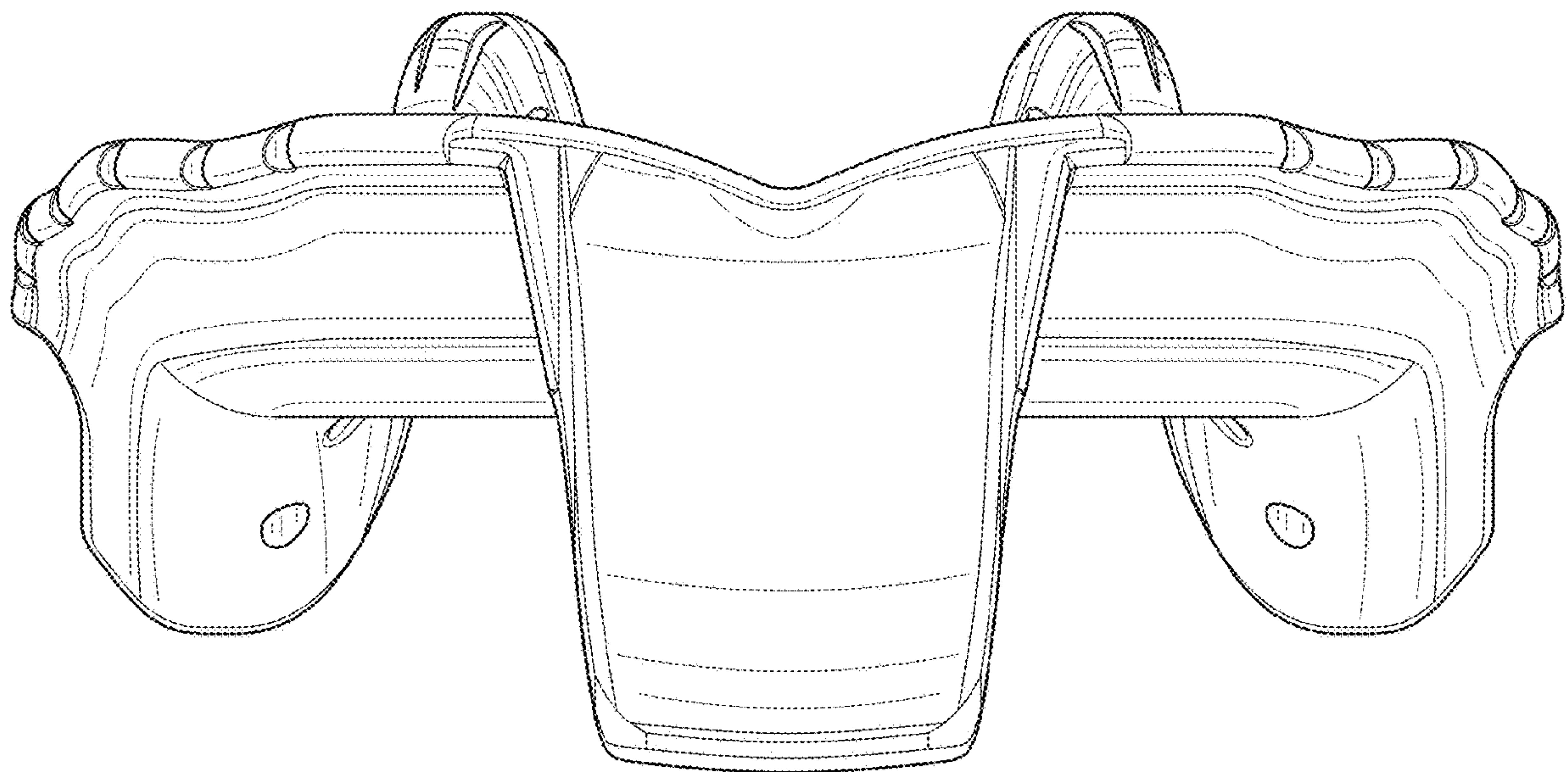


FIG. 16

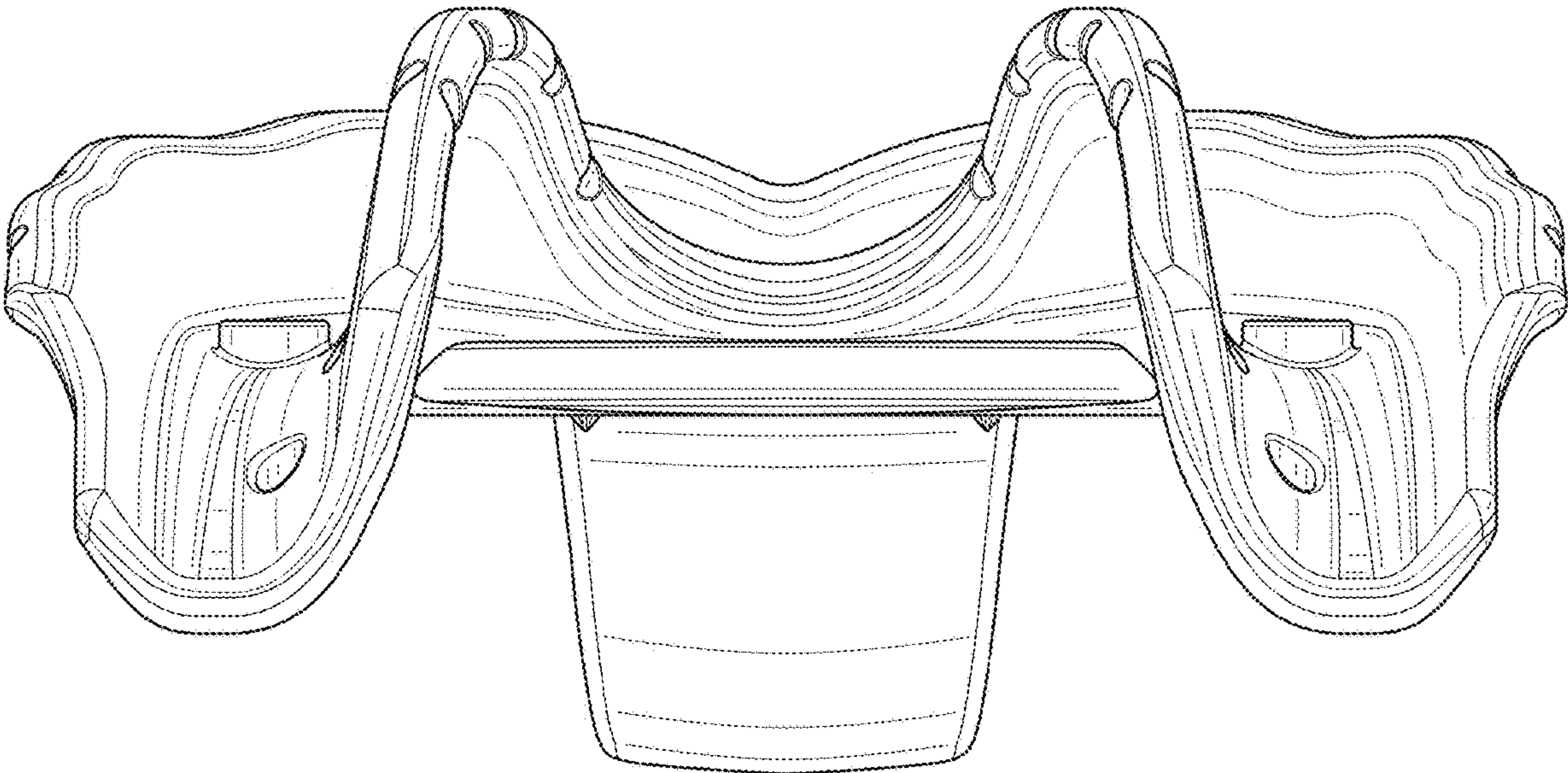


FIG. 17

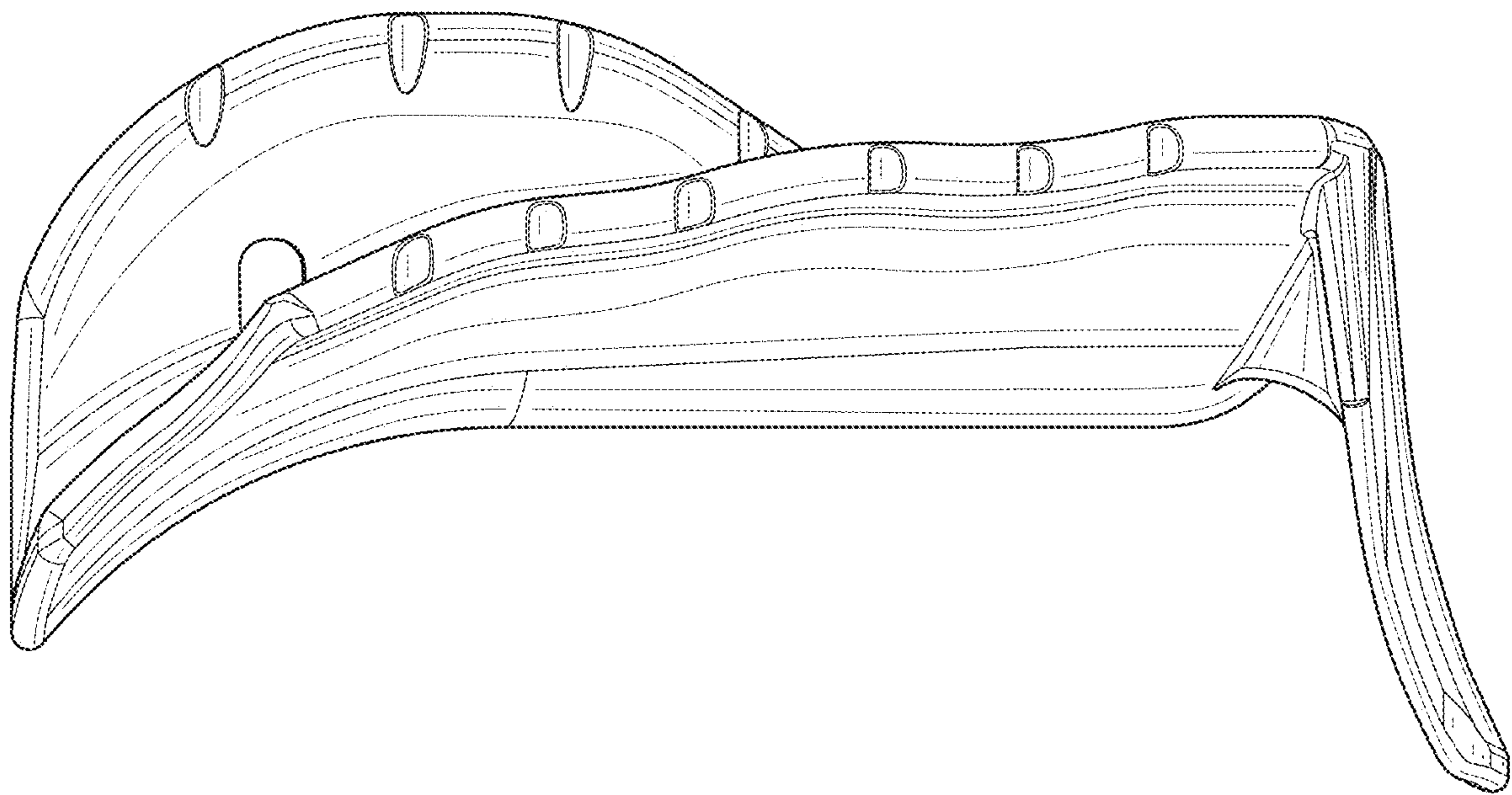


FIG. 18



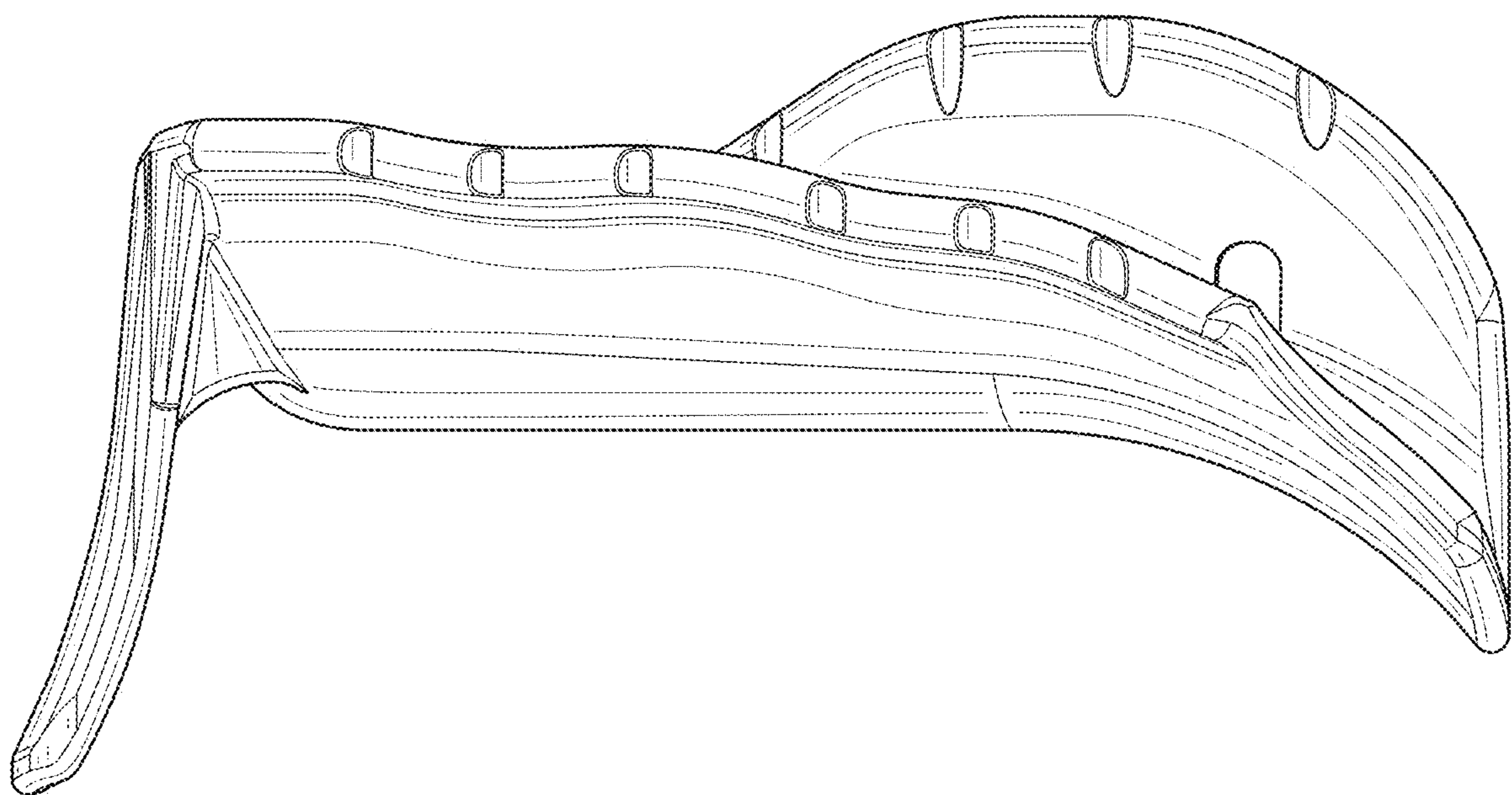


FIG. 19

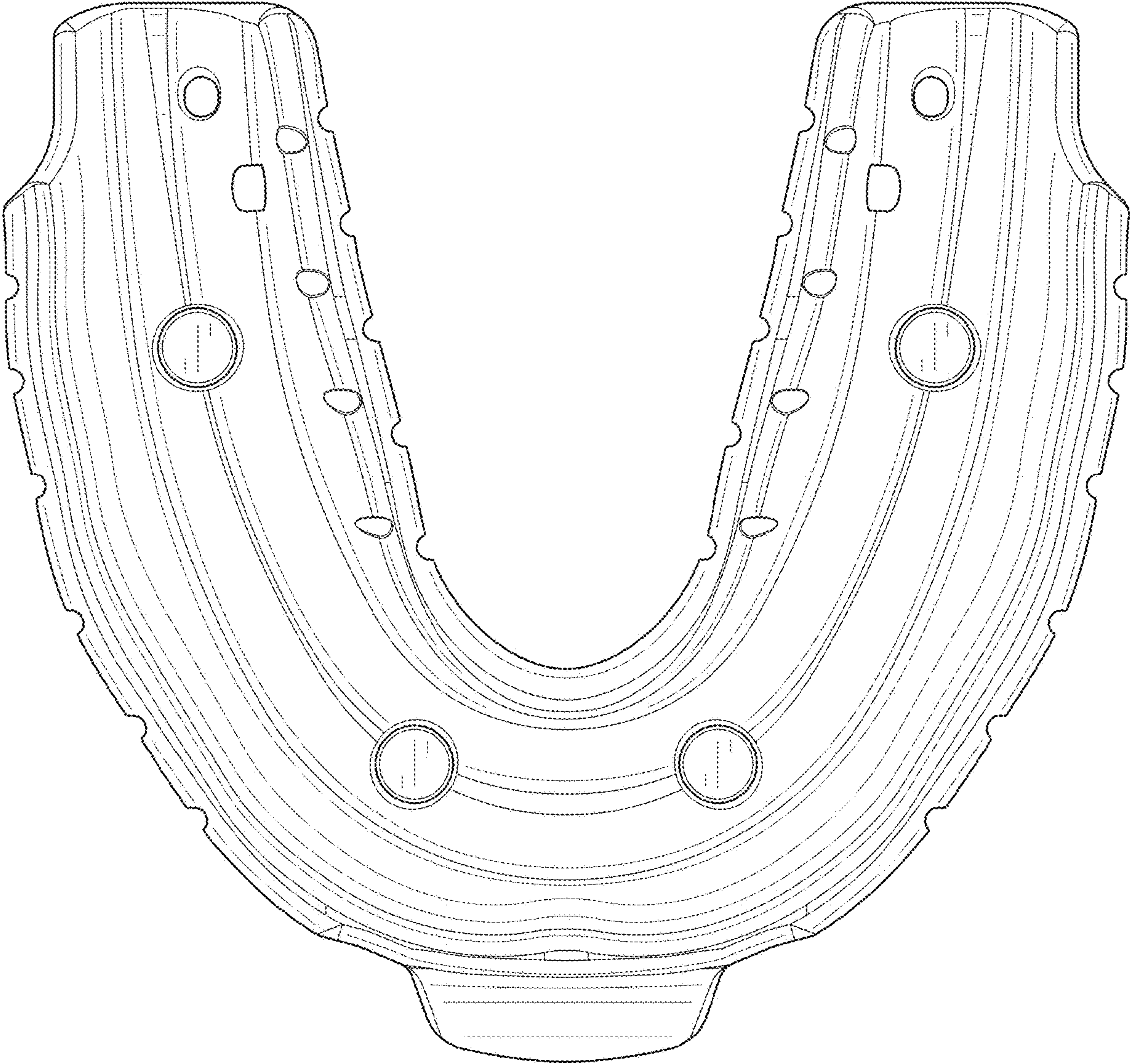


FIG. 20

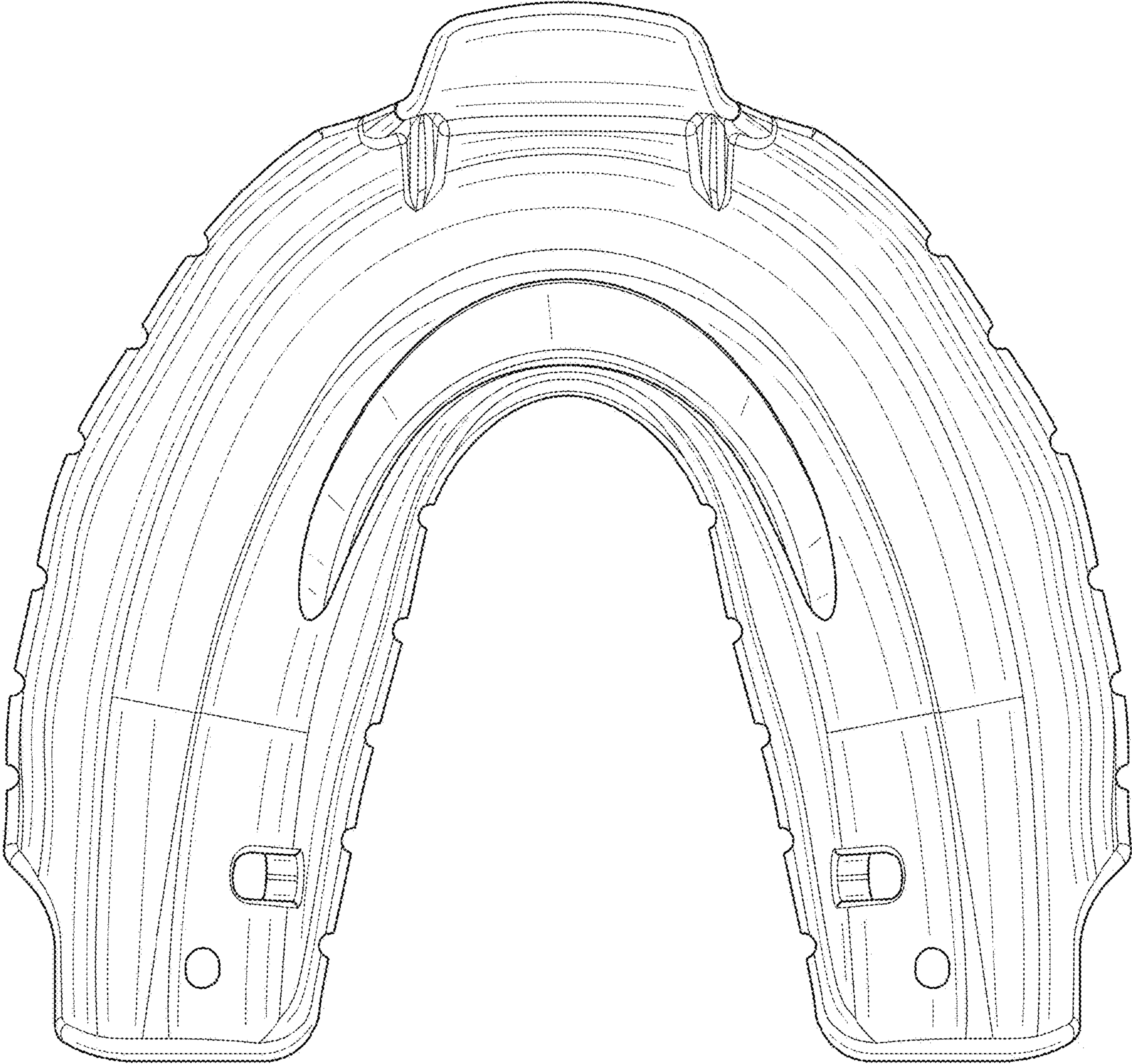


FIG. 21



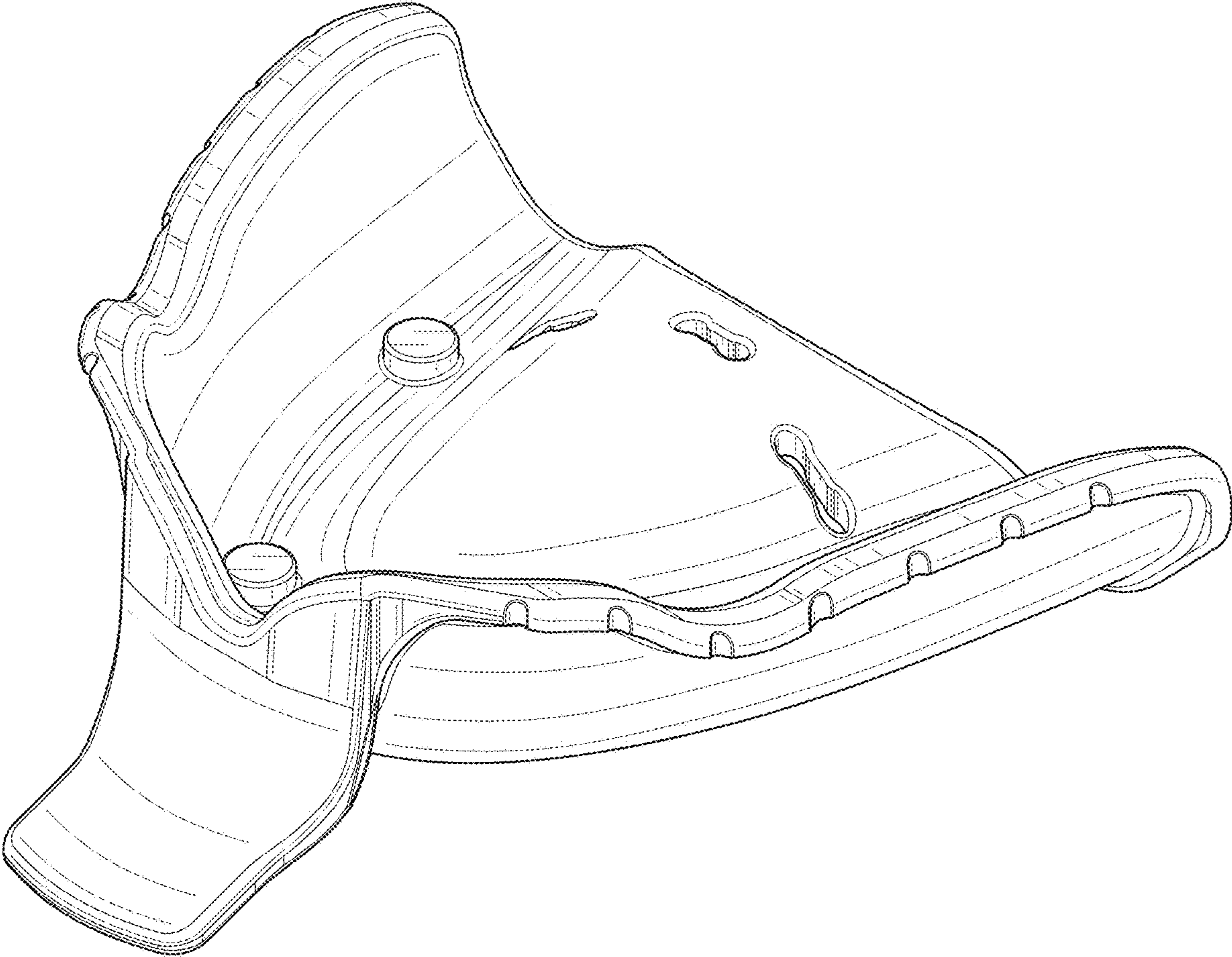


FIG. 22



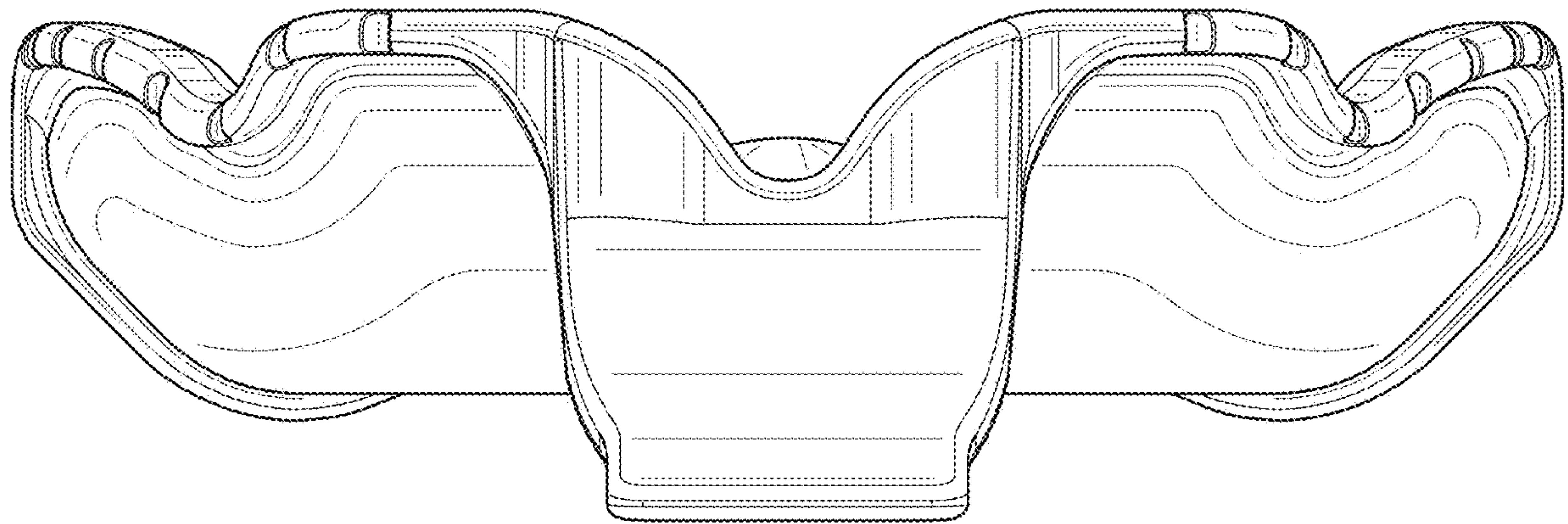


FIG. 23

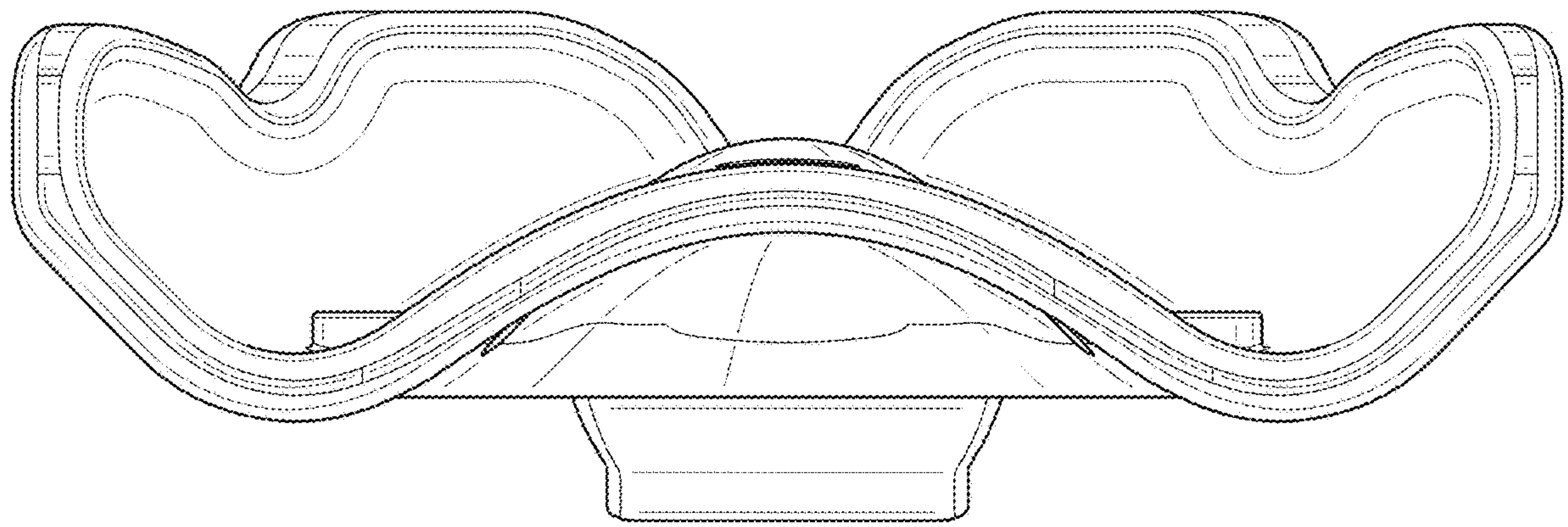


FIG. 24

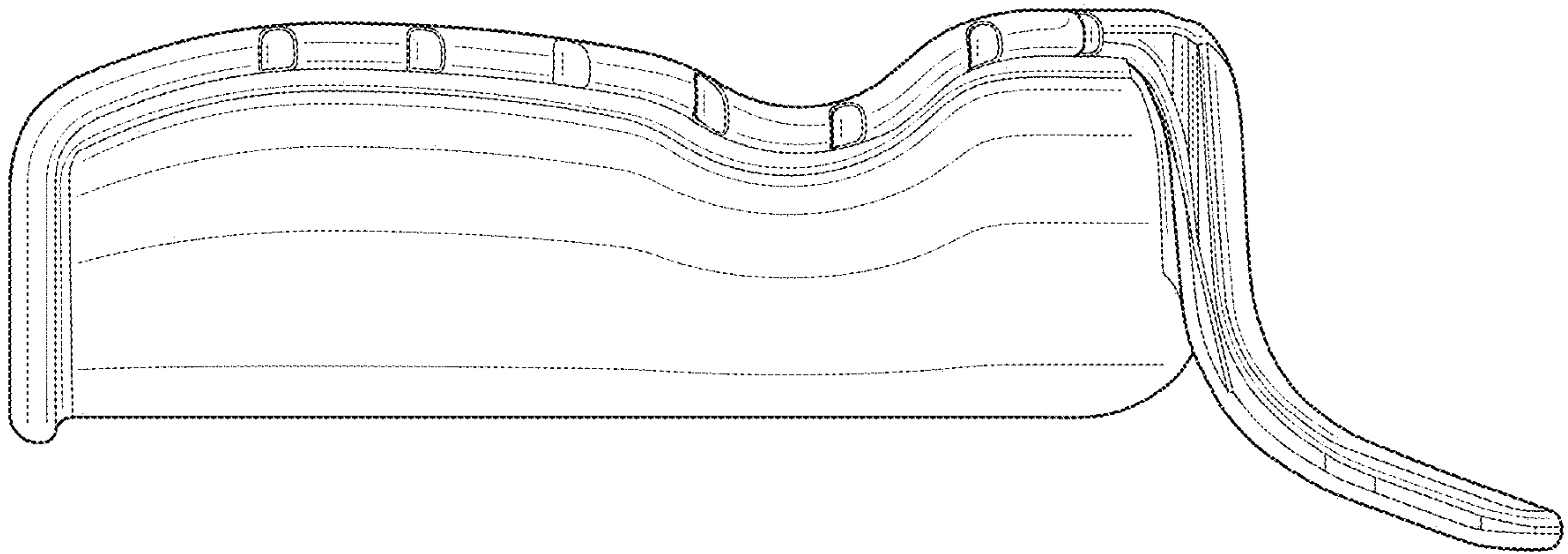


FIG. 25

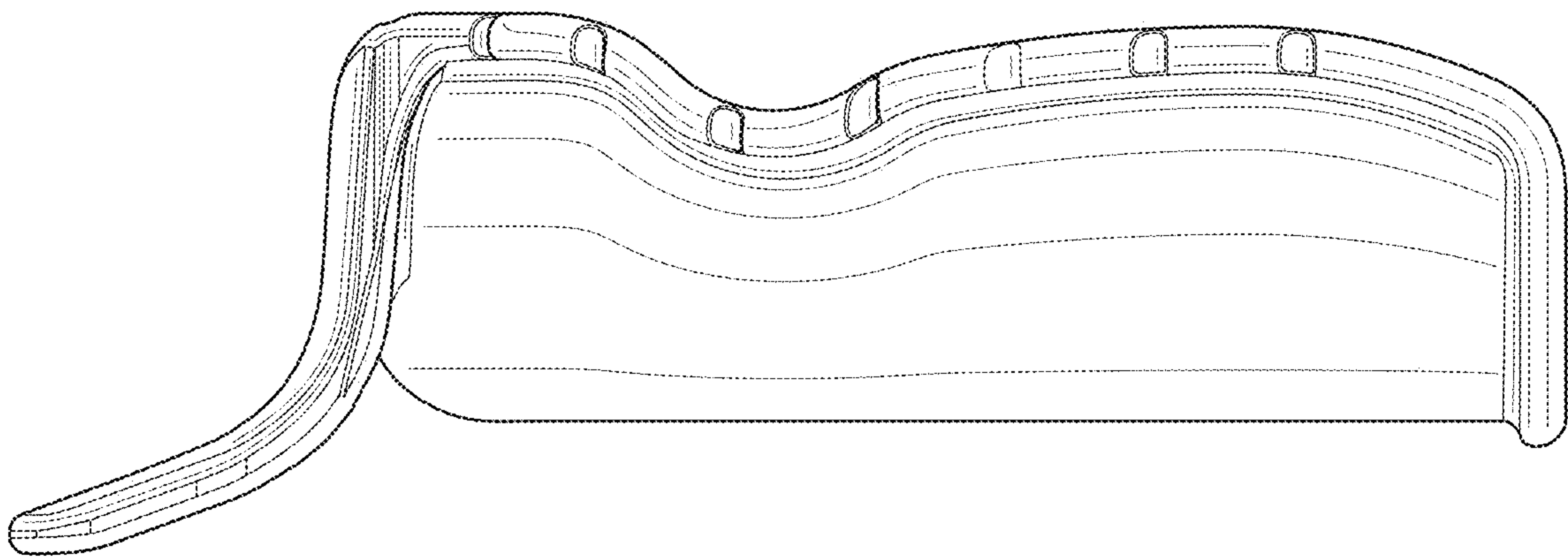


FIG. 26



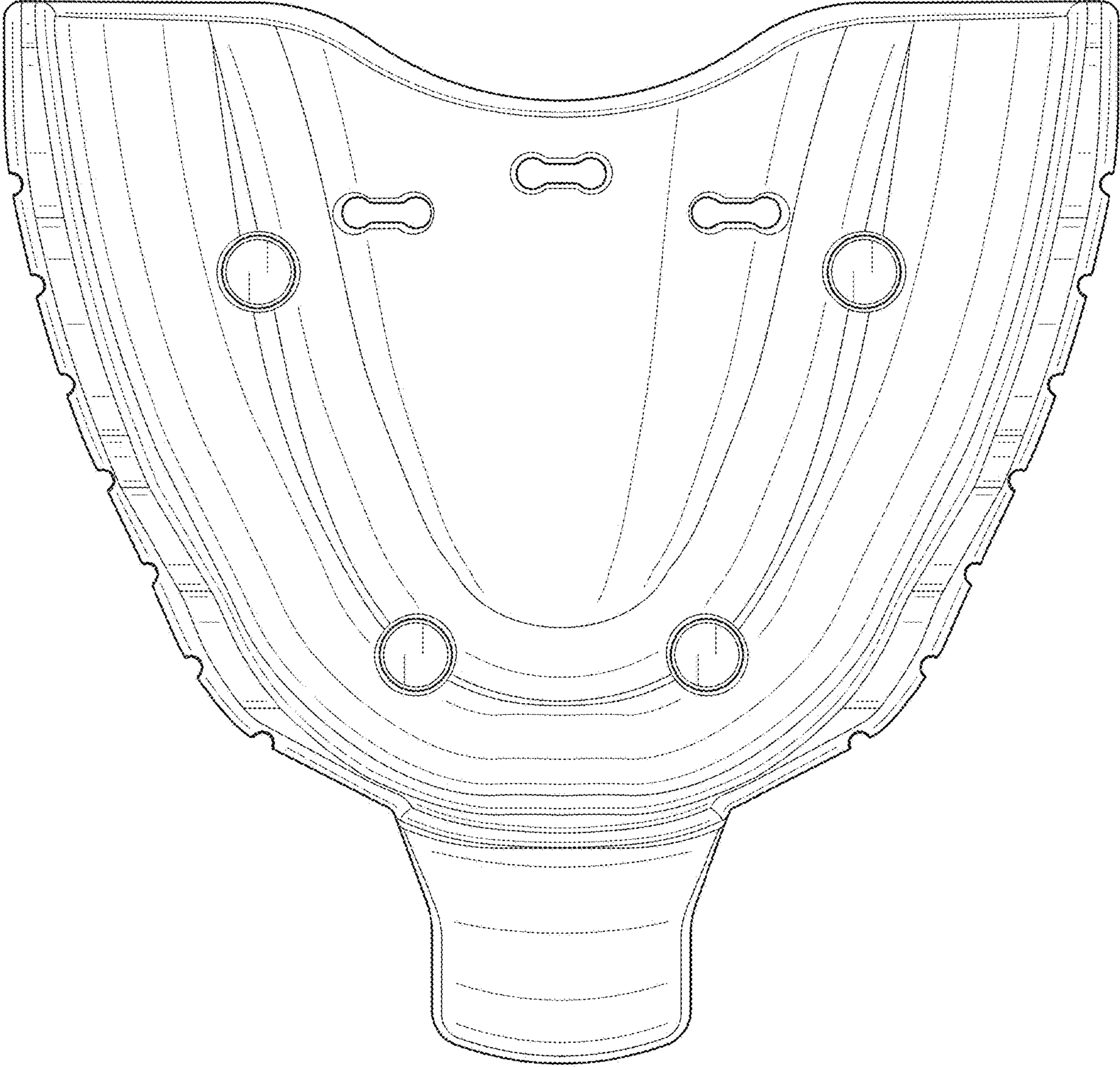


FIG. 27

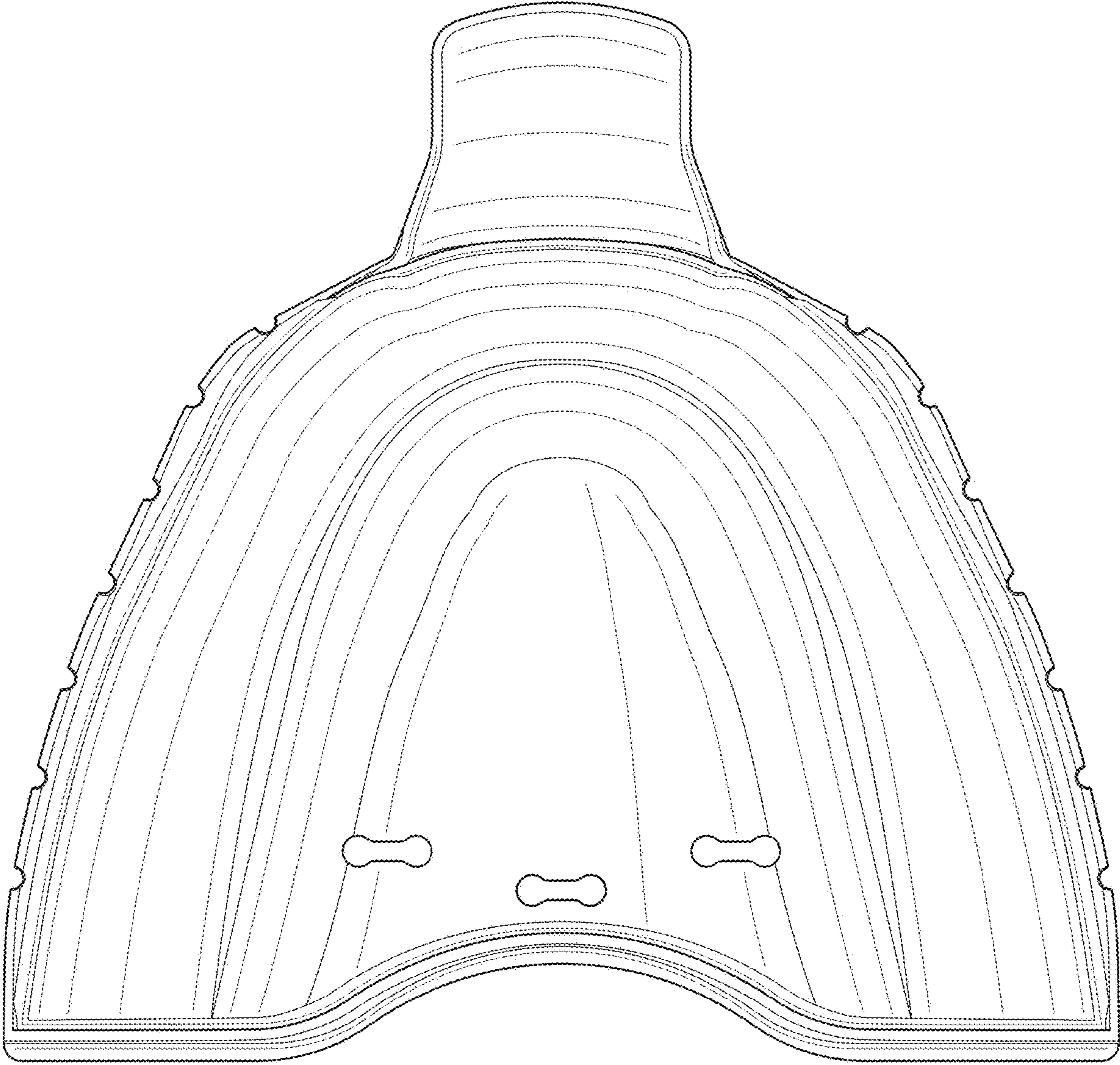


FIG. 28

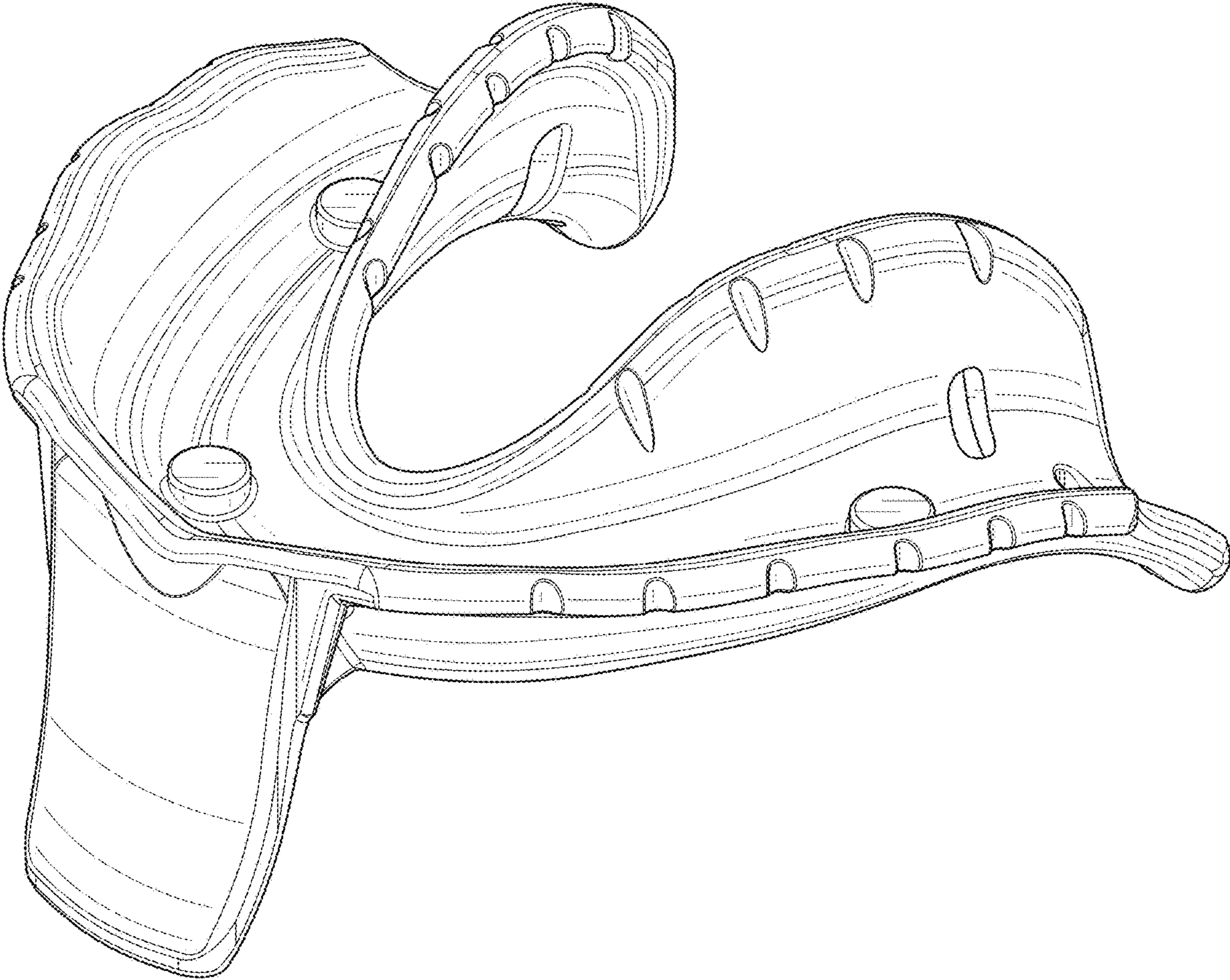


FIG. 29



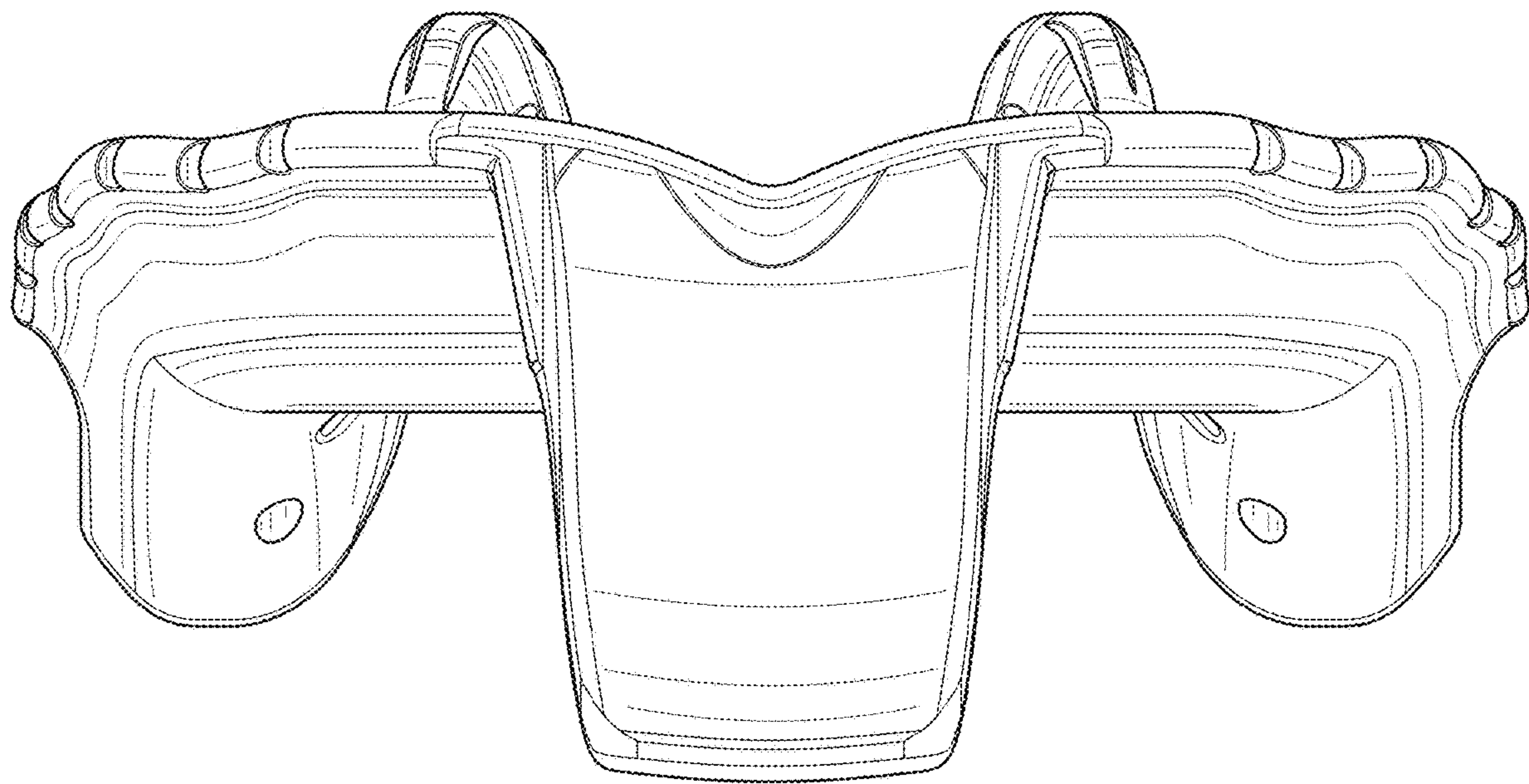


FIG. 30



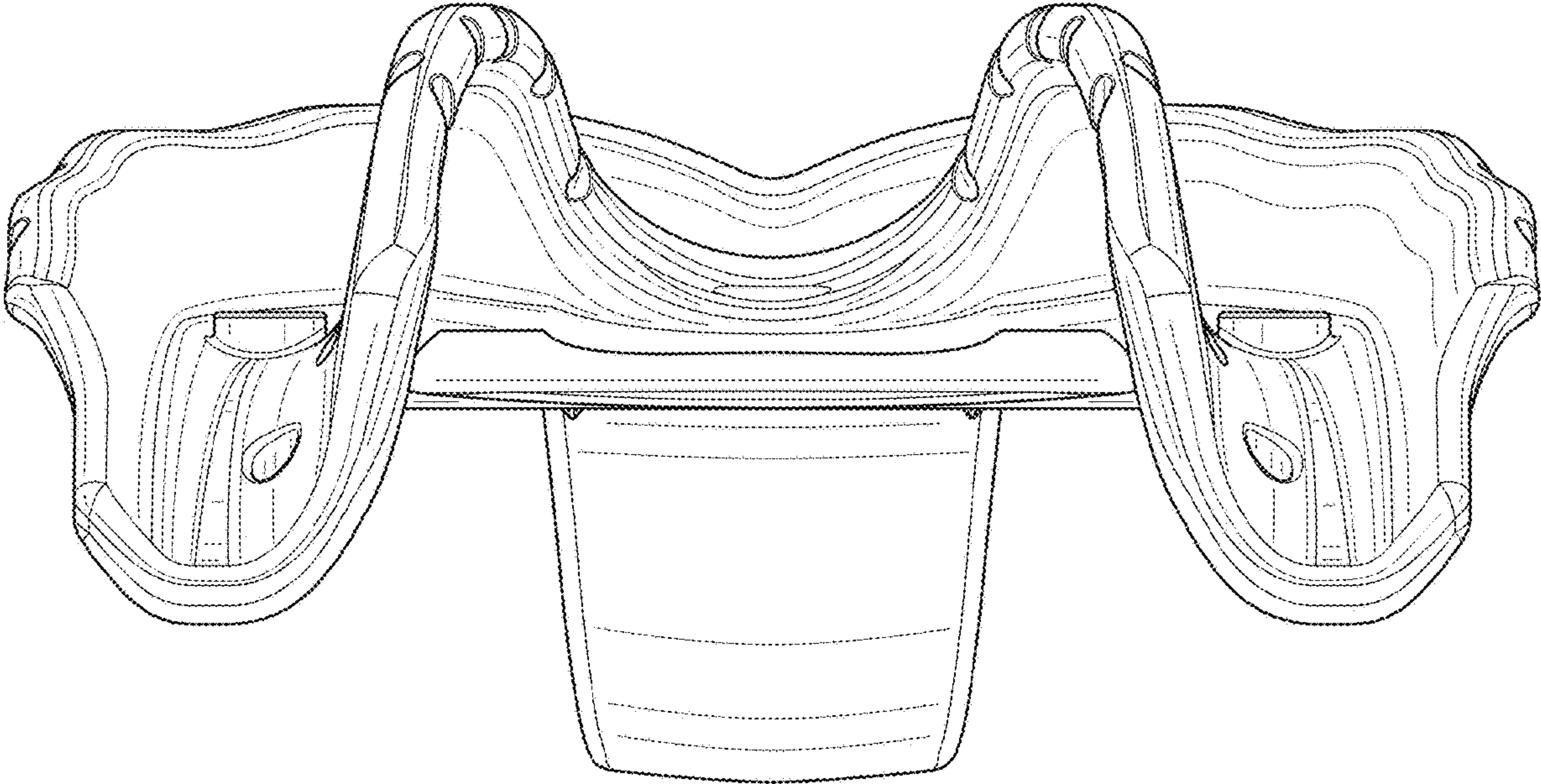


FIG. 31

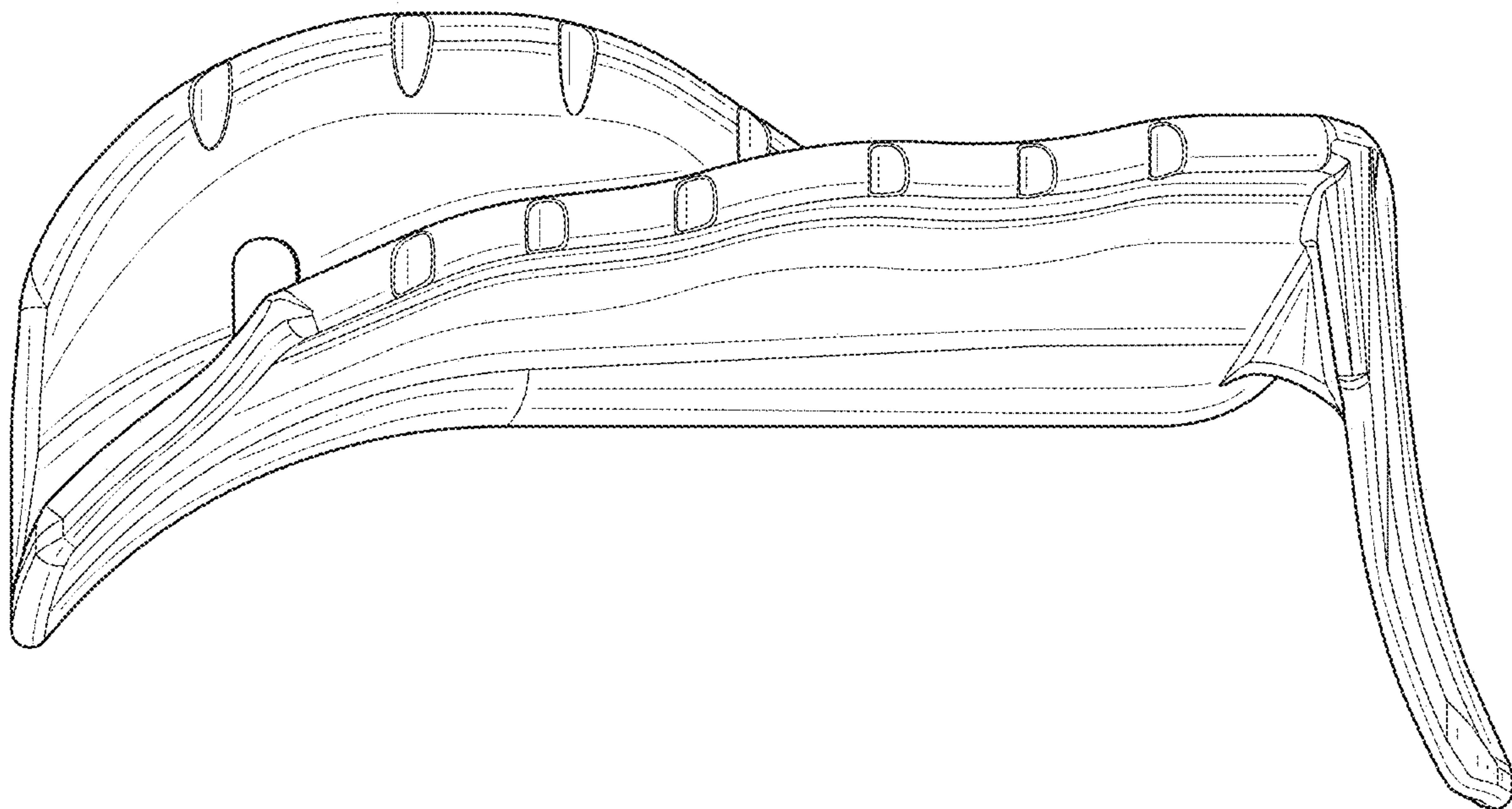


FIG. 32

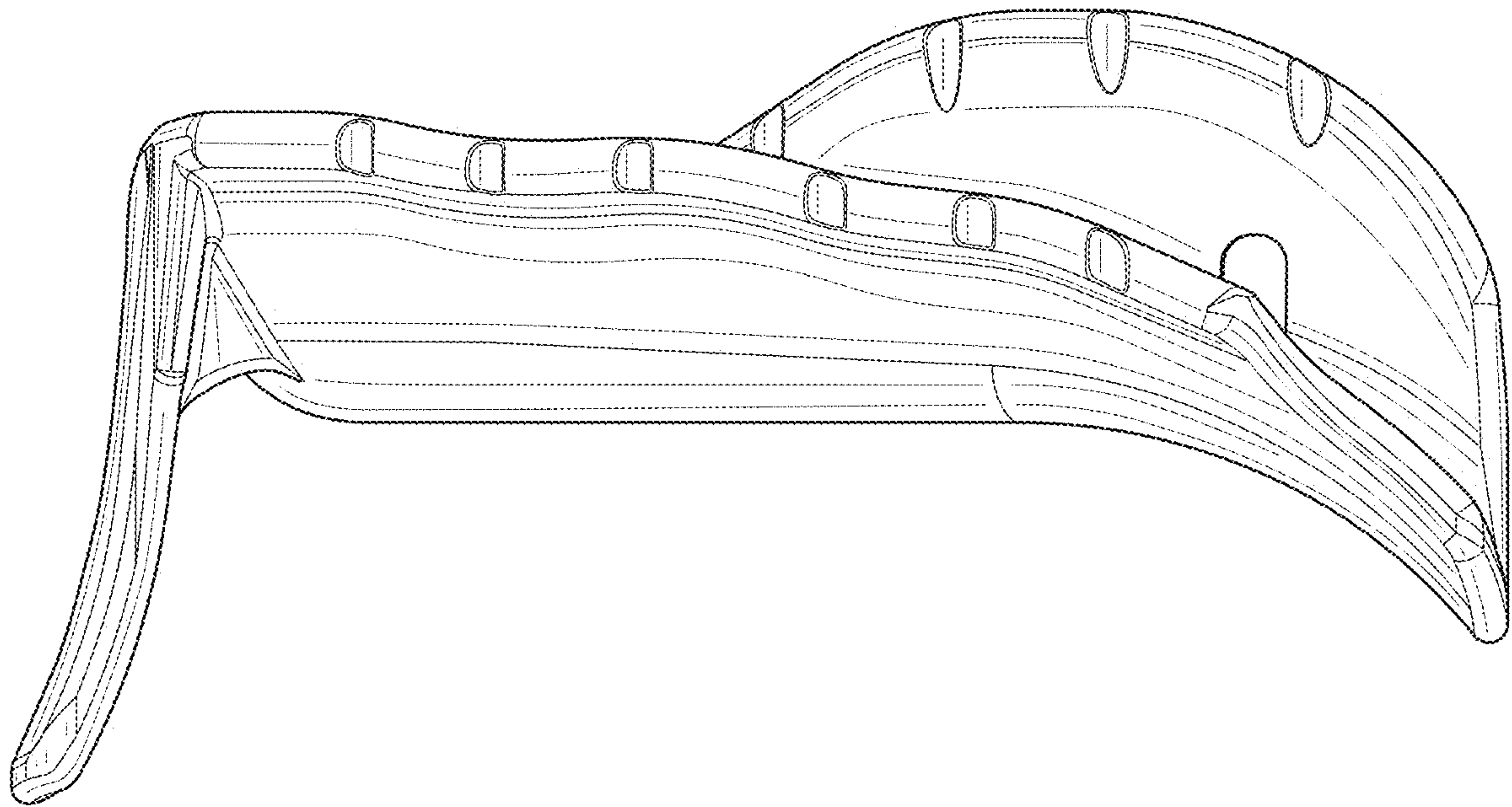


FIG. 33

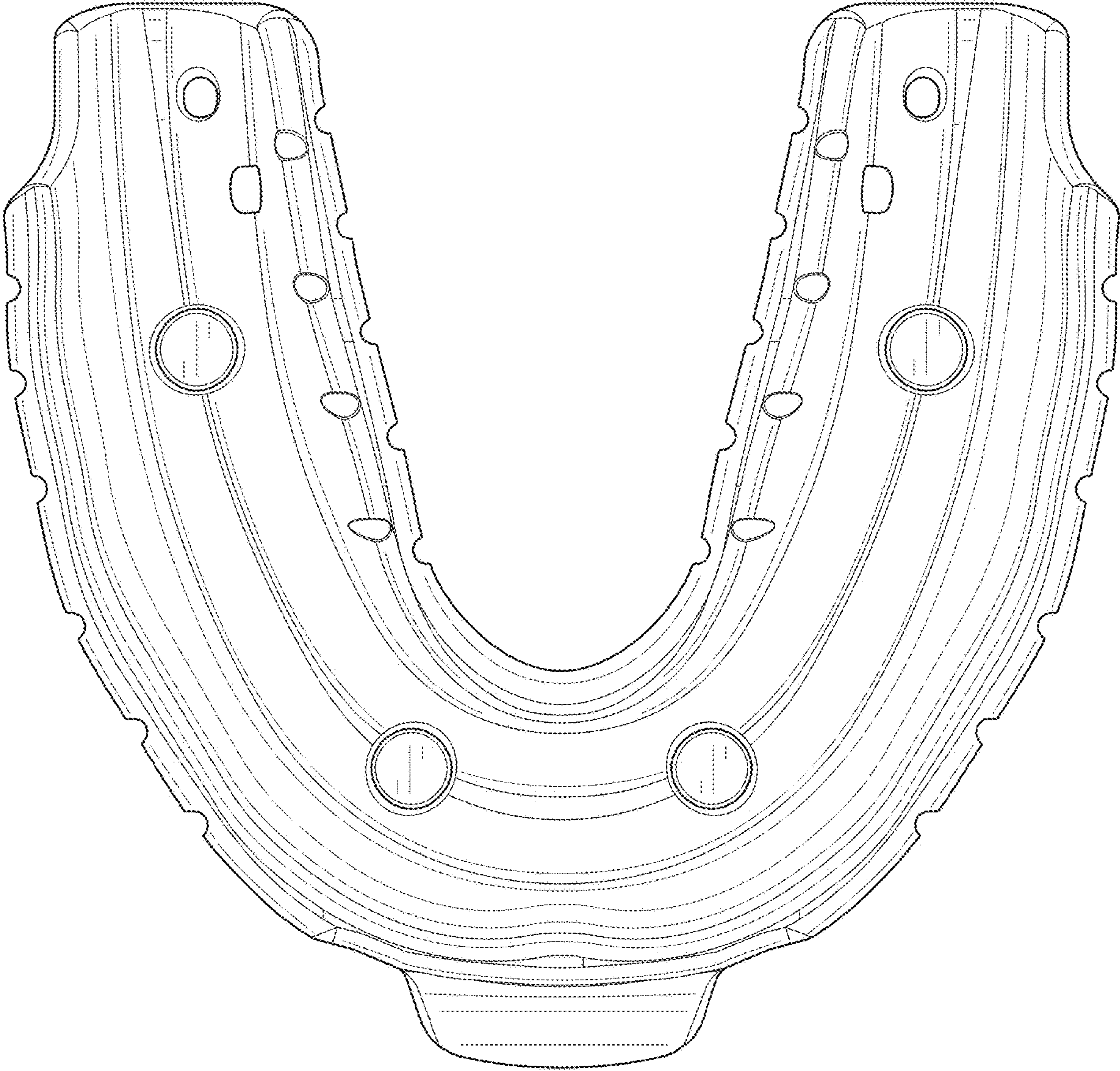


FIG. 34



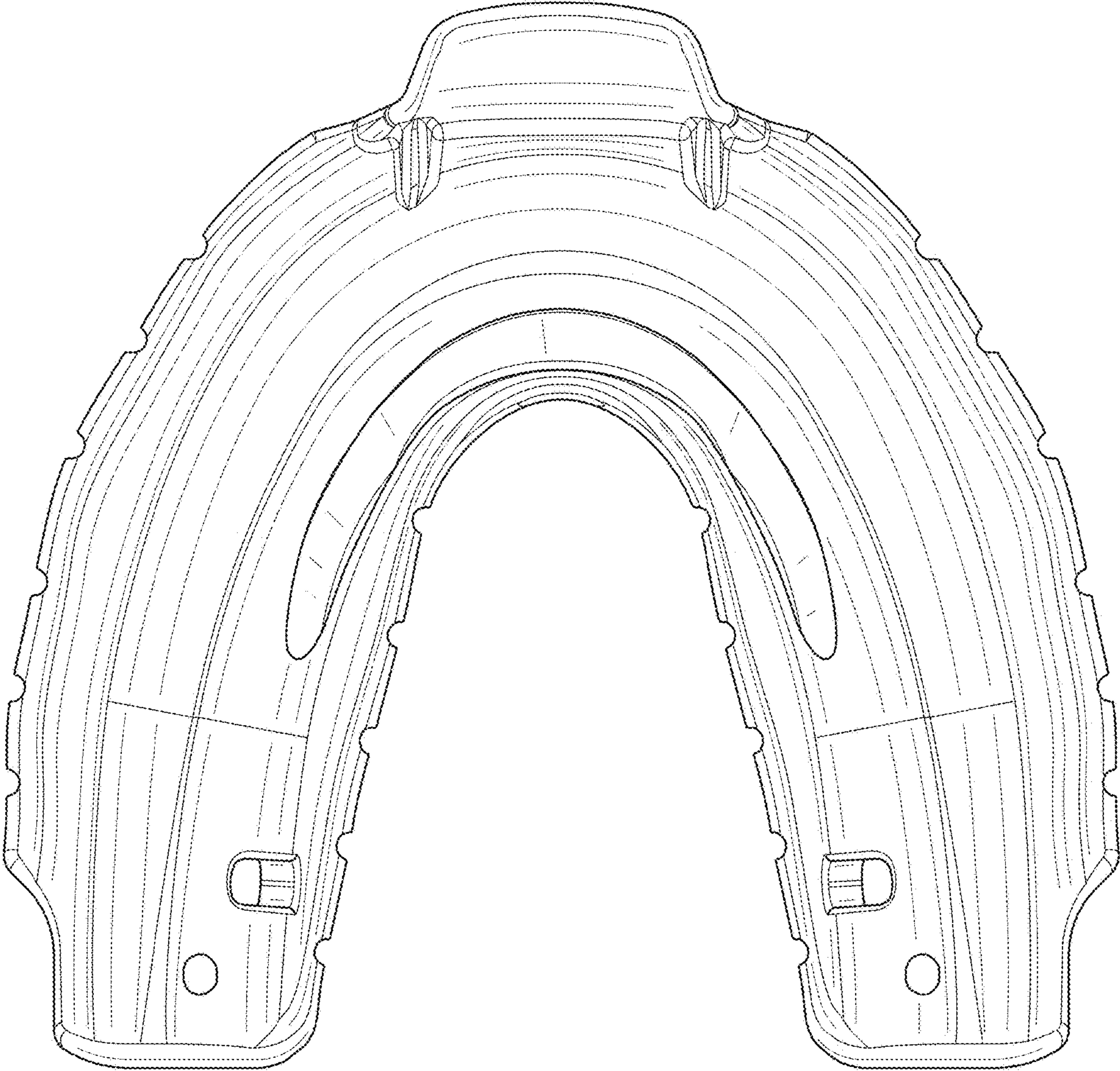


FIG. 35

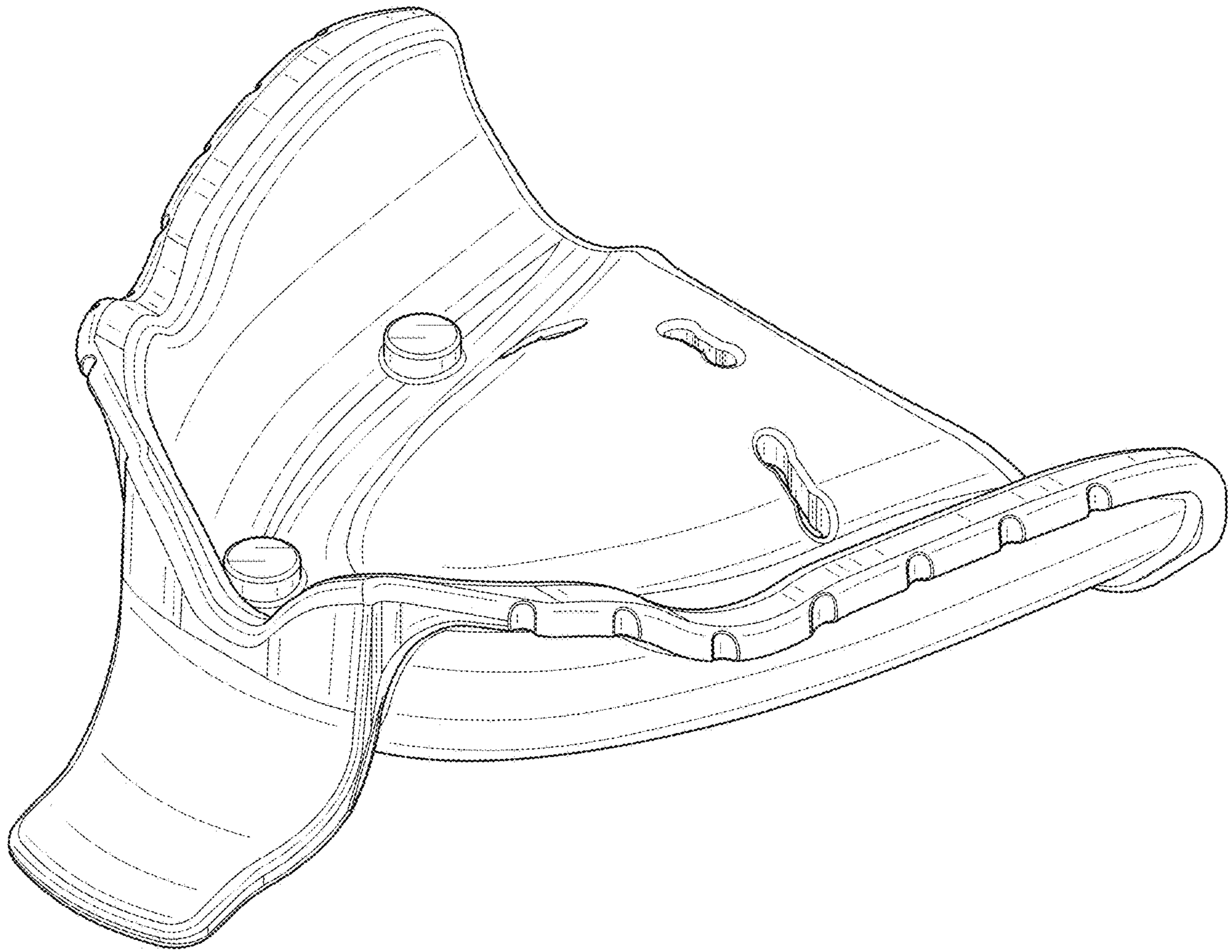


FIG. 36

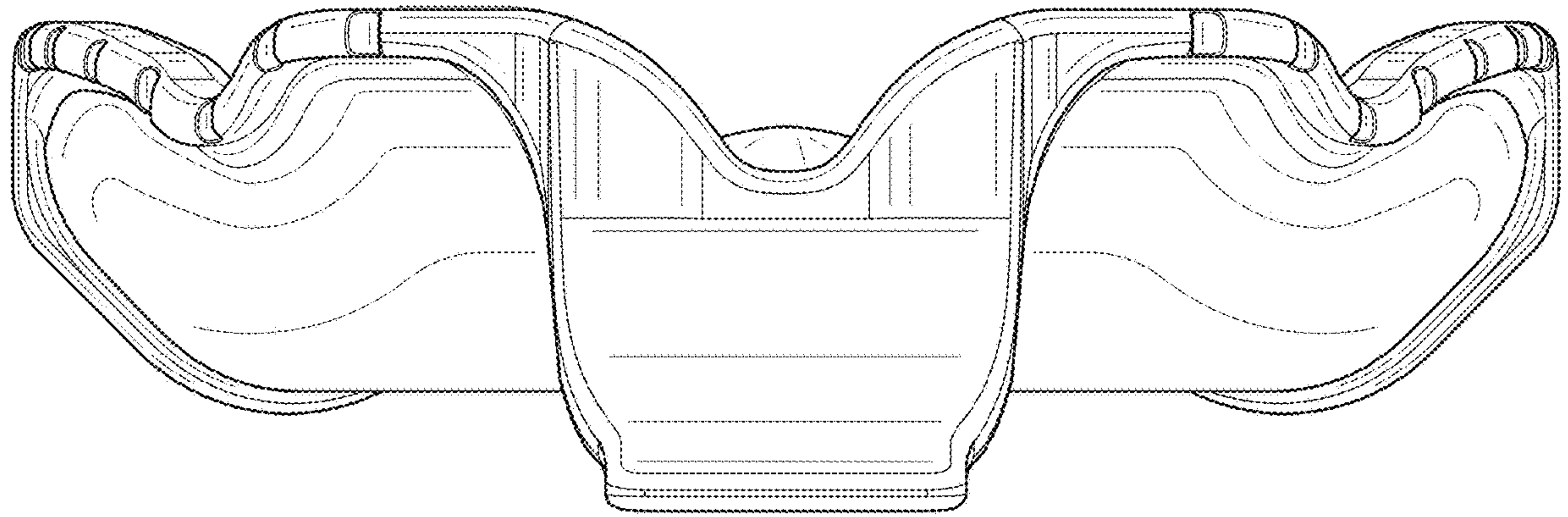


FIG. 37

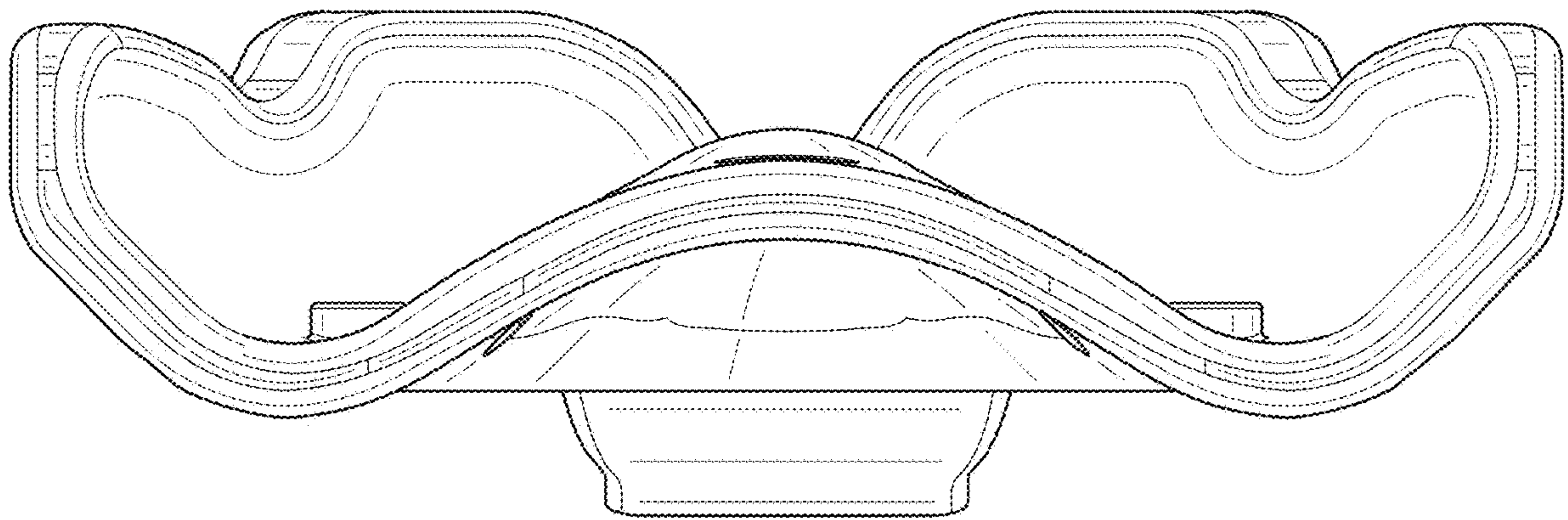


FIG. 38



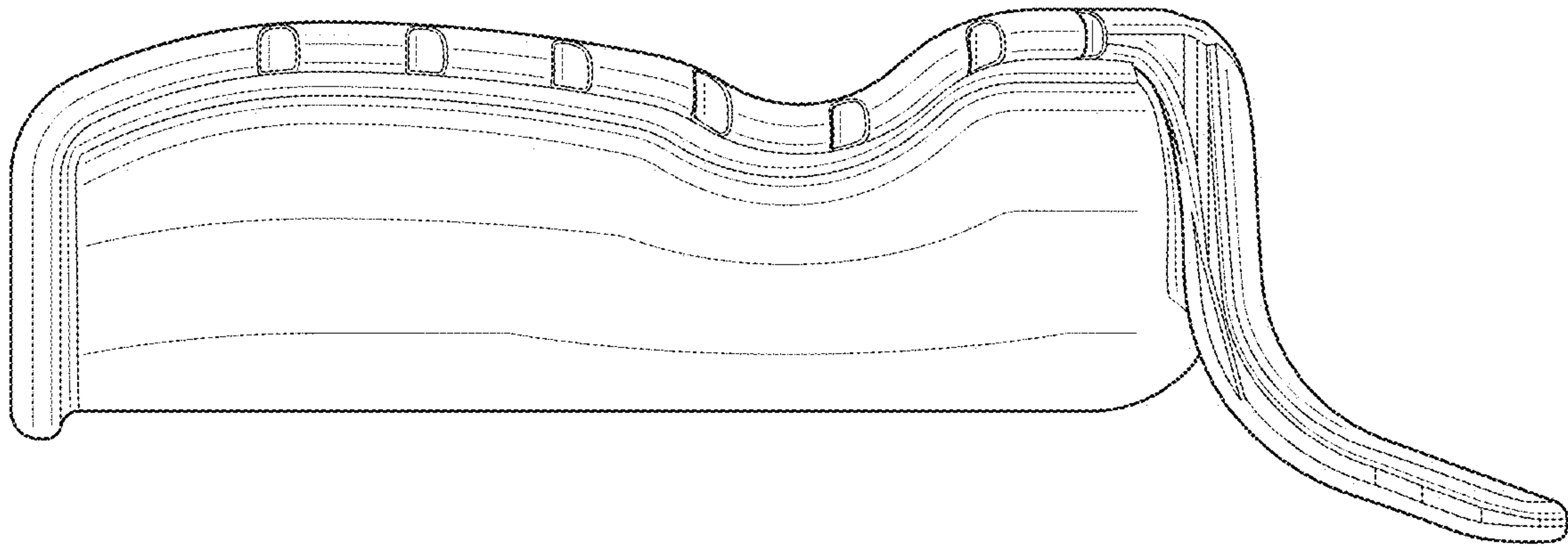


FIG. 39

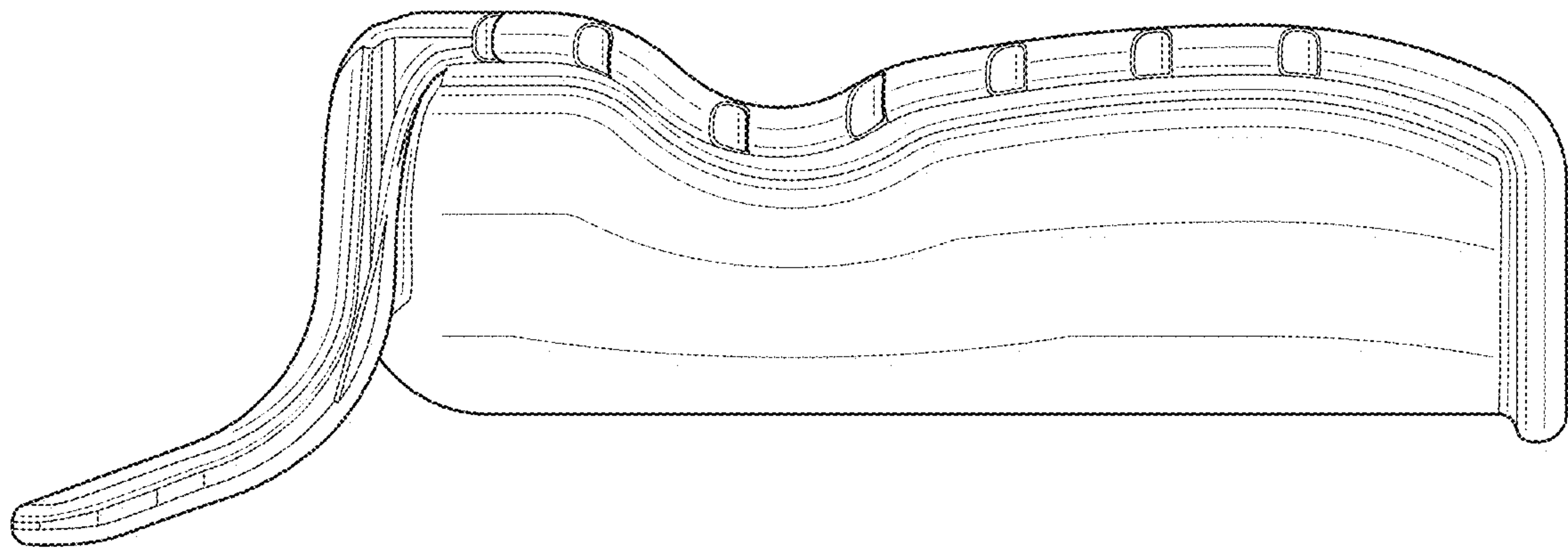


FIG. 40

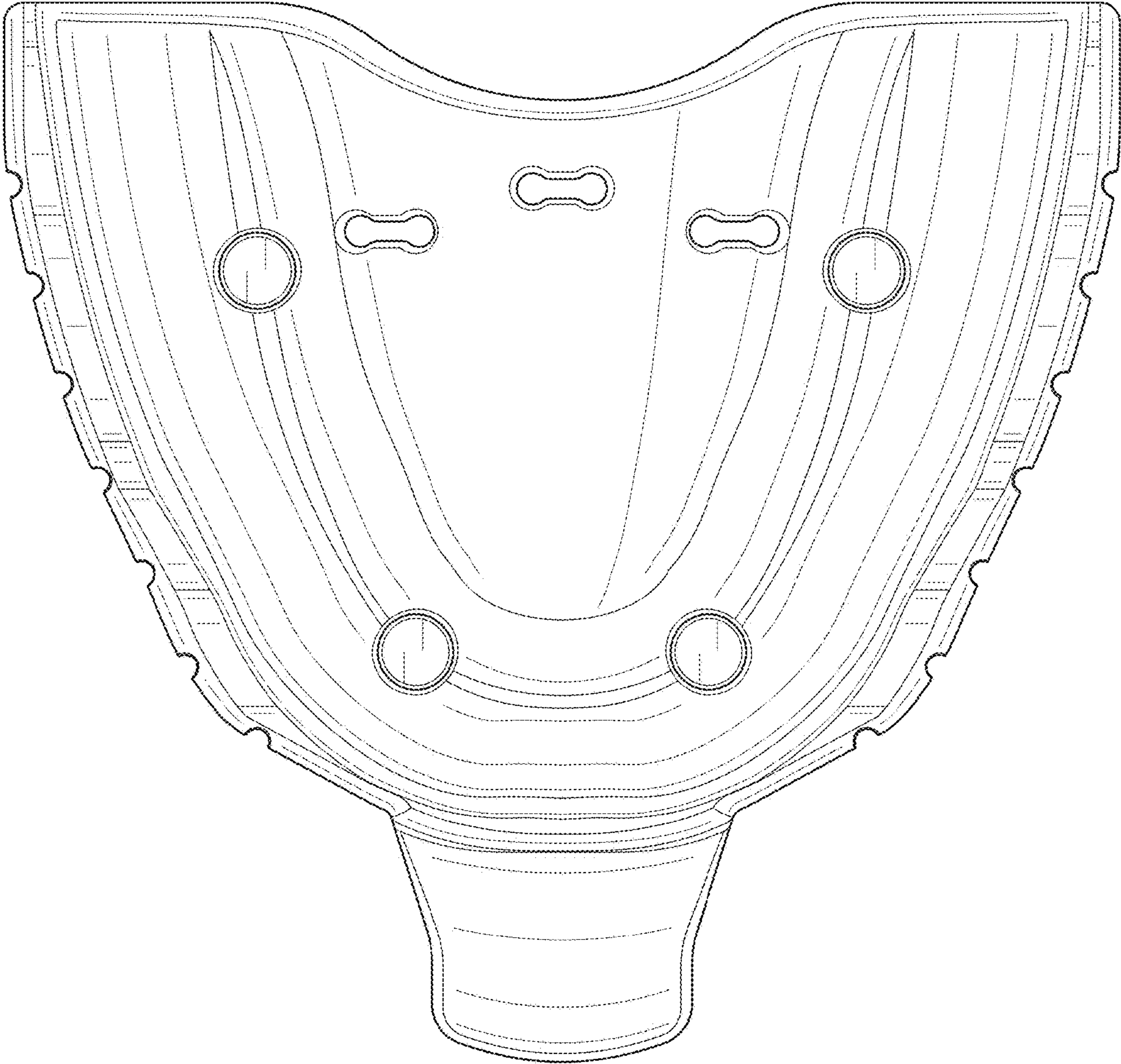


FIG. 41

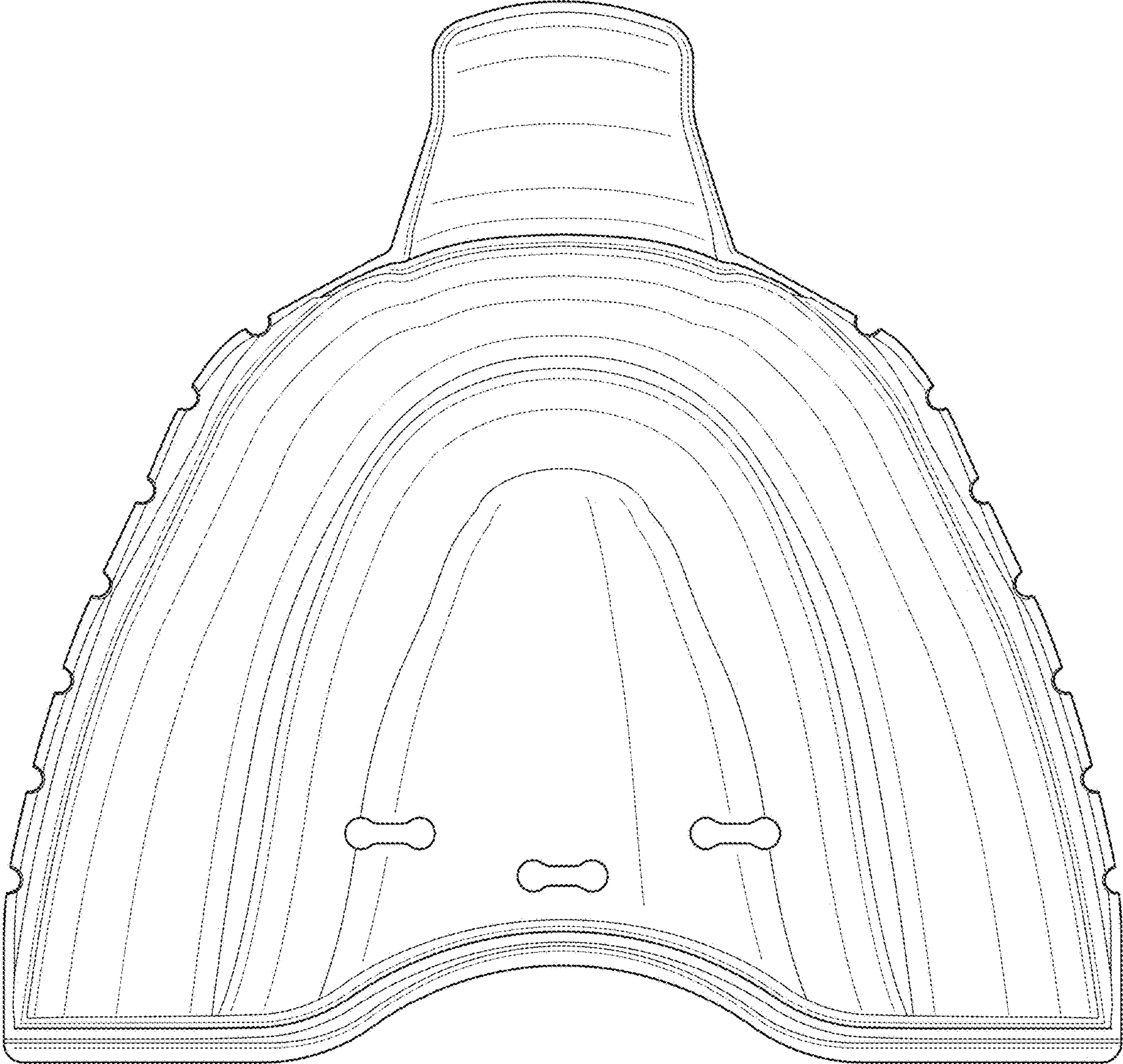


FIG. 42