



US00D952157S

(12) **United States Design Patent** (10) **Patent No.:** **US D952,157 S**  
**Poirier** (45) **Date of Patent:** **\*\* May 17, 2022**

(54) **WHOLE BLOOD TREATMENT CARTRIDGE**

(71) Applicant: **Qualigen Inc.**, Carlsbad, CA (US)

(72) Inventor: **Michael Poirier**, Vista, CA (US)

(73) Assignee: **Qualigen Inc.**, Carlsbad, CA (US)

(\*\*) Term: **15 Years**

(21) Appl. No.: **29/738,845**

(22) Filed: **Jun. 19, 2020**

(51) **LOC (13) Cl.** ..... **24-01**

(52) **U.S. Cl.**  
USPC ..... **D24/169**

(58) **Field of Classification Search**  
USPC ..... D24/107, 169, 186, 216, 223, 224, 231,  
D24/232, 108, 111, 162; D10/81  
CPC .... A61M 1/16; A61M 1/1623; A61M 1/1621;  
A61M 1/1654; A61M 1/3601; A61M  
1/3621; A61M 1/3663; A61M 1/303;  
A61M 1/3696; A61M 1/3632; B01D  
61/28; B01D 61/30

See application file for complete search history.

(56) **References Cited**

**U.S. PATENT DOCUMENTS**

- D267,037 S \* 11/1982 Spranger ..... D24/169
- 4,496,458 A \* 1/1985 Lee ..... A61M 1/16  
156/73.6
- 4,500,309 A 2/1985 Diederich et al.
- 6,143,510 A 11/2000 Hoshino et al.
- 6,277,583 B1 8/2001 Krantz et al.
- 7,214,544 B2 5/2007 Poirier et al.
- 7,226,429 B2 6/2007 Tullis
- D579,553 S \* 10/2008 Crnkovich ..... D24/111
- D600,579 S \* 9/2009 Wounder ..... D10/81
- 7,635,598 B2 12/2009 Cook et al.
- 7,754,499 B2 7/2010 Poirier et al.
- 8,288,172 B2 10/2012 Ichim et al.
- 8,317,737 B2 11/2012 Hyde et al.

- 8,709,428 B2 4/2014 Shone et al.
- 9,364,601 B2 6/2016 Ichim et al.
- 9,452,219 B2 9/2016 Bates et al.
- 9,707,333 B2 7/2017 Ichim et al.
- 10,022,483 B2 7/2018 Tullis
- 10,117,933 B2 11/2018 Berry et al.
- 10,160,797 B2 12/2018 Anderson et al.
- D864,397 S \* 10/2019 Dong ..... D24/169
- 10,744,258 B1 8/2020 Poirier
- 2009/0114595 A1 5/2009 Wallenas et al.

(Continued)

**FOREIGN PATENT DOCUMENTS**

- WO 2004/064608 8/2004
- WO 2007/103572 9/2007

(Continued)

**OTHER PUBLICATIONS**

Hemoflow Low Volume Dialyzers. Presenius Medical Care. Unknown posting date. Retrieved from website on Sep. 17, 2021 at: <https://fmcna.com/products/disposables/dialyzers/low-volume-dialyzers/>.\*

(Continued)

*Primary Examiner* — Anhdao Doan

(74) *Attorney, Agent, or Firm* — Evan Law Group LLC

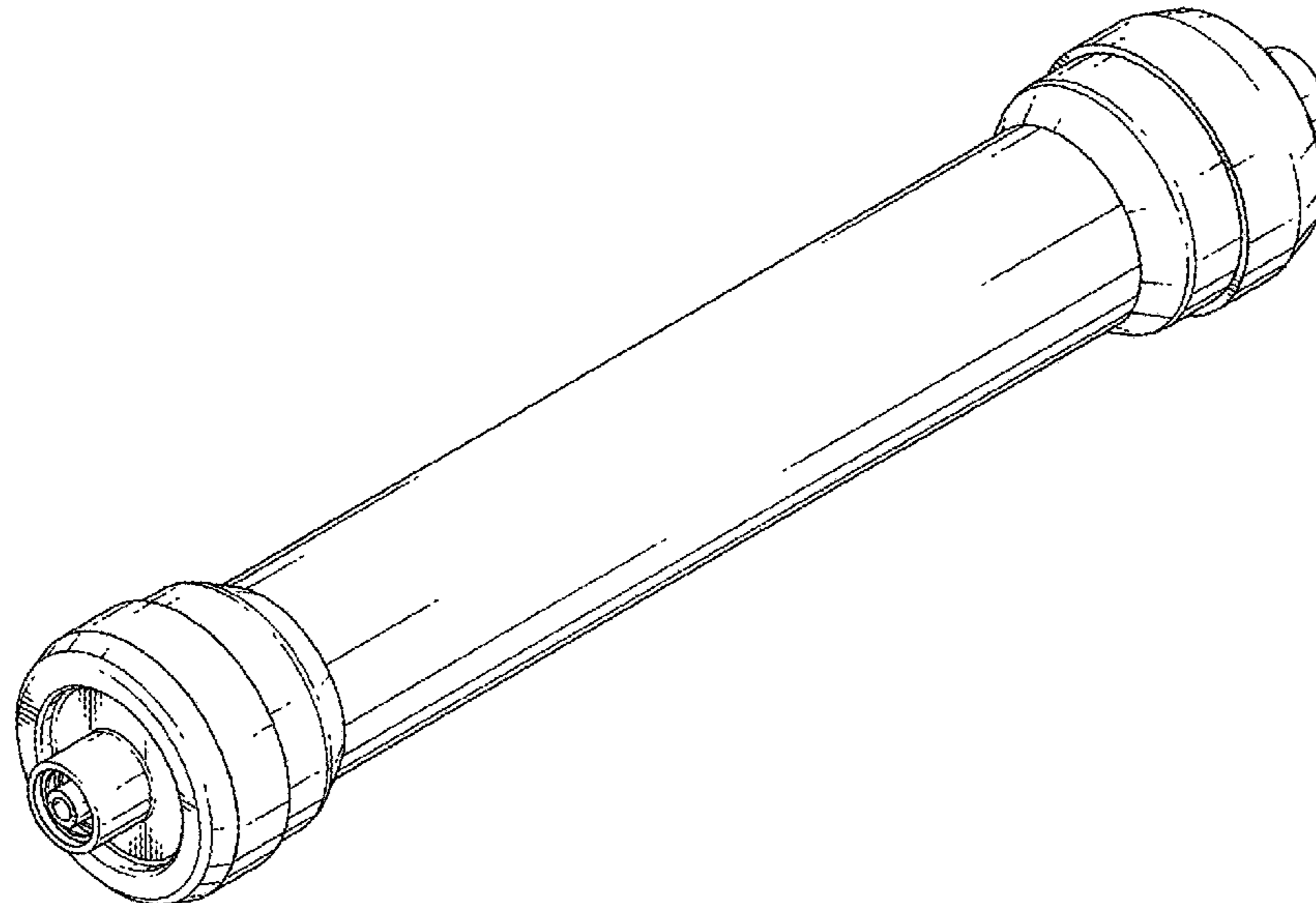
(57) **CLAIM**

The ornamental design for a whole blood treatment cartridge, as shown and described.

**DESCRIPTION**

FIG. 1 is a front, top, and side perspective view of a whole blood treatment cartridge;  
FIG. 2 is a top plan view thereof; the bottom plan view, front plan view, and back plan view being identical; and,  
FIG. 3 is a side plan view thereof; the opposite side being a mirror image.

**1 Claim, 2 Drawing Sheets**



(56)

**References Cited**

## U.S. PATENT DOCUMENTS

2014/0263018 A1\* 9/2014 Fuhriman ..... B01D 63/02  
210/232  
2016/0074565 A1\* 3/2016 Giordano ..... A61M 1/1654  
210/85  
2017/0095603 A1\* 4/2017 Cho ..... A61M 1/3679  
2019/0117869 A1 4/2019 Handelman et al.  
2020/0397985 A1 12/2020 Poirier

## FOREIGN PATENT DOCUMENTS

WO 2010/030789 3/2010  
WO 2011/005742 1/2011  
WO 2011/112873 9/2011  
WO 2015/095553 6/2015  
WO 2020/176683 9/2020

## OTHER PUBLICATIONS

Ghirelli, C. et al., "Targeting immunosuppression for cancer therapy", *The Journal of Clinical Investigation*, vol. 123, No. 6, pp. 2355-2357, (2013).

Focosi, D. et al., "Immunosuppressive monoclonal antibodies: current and next generation", *Clinical Microbiology and Infection*, vol. 17, pp. 1759-1768, (2011).

Chan, A.C. et al., "Therapeutic antibodies for autoimmunity and inflammation", *Nature Reviews Immunology*, vol. 10, pp. 301-316, (2010).

Zhang, X-B., et al., "Metal ion sensors based on DNazymes and related DNA molecules", *Annual Review of Analytical Chemistry*, vol. 4, No. 1, pp. 105-128, (2011).

Hotchkiss, R.S., et al., "Immunosuppression in sepsis: a novel understanding of the disorder and a new therapeutic approach", *The Lancet Infectious Diseases*, vol. 13, No. 3, pp. 260-268, (2013).

"Monoclonal antibodies to treat cancer", American Cancer Society, found at [www.cancer.org/treatment/treatments-and-side-effects/treatment-types/immunotherapy/monoclonal-antibodies.html](http://www.cancer.org/treatment/treatments-and-side-effects/treatment-types/immunotherapy/monoclonal-antibodies.html), pp. 1-5, Printed on Mar. 21, 2019.

Zhou, Q. et al., "Aptamer-containing surfaces for selective capture of CD4 expressing cells", *Langmuir*, vol. 28, No. 34, p. 12544-12549, (2012).

Definition of "Monoclonal antibody therapy" printed from Wikipedia, the free encyclopedia, found at [en.wikipedia.org/wiki/Monoclonal\\_antibody\\_therapy](http://en.wikipedia.org/wiki/Monoclonal_antibody_therapy), Downloaded on Feb. 2, 2017.

Mandavilli, A. "Coronavirus can set off a "cytokine storm". These drugs may calm it", *New York Times*, found at [www.nytimes.com/2020/06/11/health/coronavirus-cytokine-storm.html?searchResultPosition=1](http://www.nytimes.com/2020/06/11/health/coronavirus-cytokine-storm.html?searchResultPosition=1), pp. 1-5, printed on Jun. 16, 2020.

Product Description of "Optiflux Dialyzers", Fresenius Renal Technologies, 2 pages, (2016).

Product Description of "Revaclear Dialyzer Technology", Baxter, 4 pages, (2017).

Definition of "Hemodialysis" printed from Wikipedia, the free encyclopedia on Apr. 29, 2020 found at <http://en.wikipedia.org/wiki/Hemodialysis>.

Definition of "Affinity Chromatography" printed from Wikipedia, the free encyclopedia on May 17, 2018, found at [https://en.wikipedia.org/wiki/Affinity\\_chromatography](https://en.wikipedia.org/wiki/Affinity_chromatography).

Fischer, K-G., "Essentials of anticoagulation in hemodialysis", *Hemodialysis International*, vol. 11, issue 2, pp. 178-189 (2007).

Frenzel, A. et al., "Expression of recombinant antibodies", *Frontiers in Immunology*, vol. 4, article 217, pp. 1-20, (2013).

Darvin, P. et al., "Immune checkpoint inhibitors: recent progress and potential biomarkers", *Experimental & Molecular Medicine*, vol. 50, article No. 165. pp. 1-11, (2018).

González-Rodríguez, E. et al., "Immune checkpoint inhibitors: review and management of endocrine adverse effects", *The Oncologist*, vol. 21, pp. 804-816, (2016).

Lakhin, A.V. et al. "Aptamers: Problems, Solutions and Prospects", *Acta Naturae*, vol. 5, No. 4, pp. 34-43, (2013).

Owens, S.M. et al., "Monoclonal antibodies as pharmacokinetic antagonists for the treatment of (+)-methamphetamine addiction", *CNS & Neurological Disorders—Drug Targets*, vol. 10, No. 8, pp. 892-898, (2011).

"Covalent Immobilization of Affinity Ligands", ThermoFisher Scientific, found at [www.thermofisher.com/us/en/home/life-science/protein-biology/protein-biology-learning-center/protein-biology-resource-library/pierce-protein-methods/covalent-immobilization-affinity-ligands.html](http://www.thermofisher.com/us/en/home/life-science/protein-biology/protein-biology-learning-center/protein-biology-resource-library/pierce-protein-methods/covalent-immobilization-affinity-ligands.html), printed on Mar. 17, 2021.

Suurmond, J. et al., "Autoantibodies in systemic autoimmune diseases: specificity and pathogenicity", *Journal of Clinical Investigation*, vol. 125, No. 6, pp. 2194-2202, (2015).

Definition of "List of autoimmune diseases" printed from Wikipedia, the free encyclopedia on Mar. 17, 2021 found at [https://en.wikipedia.org/wiki/List\\_of\\_autoimmune\\_diseases](https://en.wikipedia.org/wiki/List_of_autoimmune_diseases).

Liu, J. et al. "Rational design of "Turn-On" allosteric DNzyme catalytic beacons for aqueous mercury ions with ultrahigh sensitivity and selectivity", *Angewandte Chemie International Edition*, vol. 119, pp. 7731-7734, (2007).

Li, J. et al., "A highly sensitive and selective catalytic DNA biosensor for lead ions", *Journal of the American Chemical Society*, vol. 122, No. 42, p. 10466-10467, (2000).

Qu, H. et al., "Rapid and label-free strategy to isolate aptamers for metal ions", *ACS Nano*, vol. 10, No. 8, pp. 7558-7565, (2016).

Banks, M.L. et al., "Immunopharmacotherapies for treating opioid use disorder" *Trends in Pharmacological Sciences*, vol. 39, issue 11, pp. 908-911, (2018).

Rowley et al. "The role of pathogenic autoantibodies in autoimmunity" *Antibodies*, vol. 4, pp. 314-353, (2015).

Tullis, R.H. et al., "Affinity hemodialysis for antiviral therapy. I. removal of HIV-1 from cell culture supernatants, plasma, and blood", *Therapeutic Apheresis and Dialysis*, vol. 6, No. 3, pp. 213-220, (2002).

Tullis, R.H. et al., "Affinity hemodialysis for antiviral therapy. II Removal of hiv-1 viral proteins from cell culture supernatants and whole blood", *Blood Purification*, vol. 21, No. 1, pp. 58-63, (2003).

Marleau, A.M. et al., "Exosome removal as a therapeutic adjuvant in cancer", *Journal of Translational Medicine, Biomed Central*, vol. 10, No. 1, pp. 1-12,(2012).

\* cited by examiner

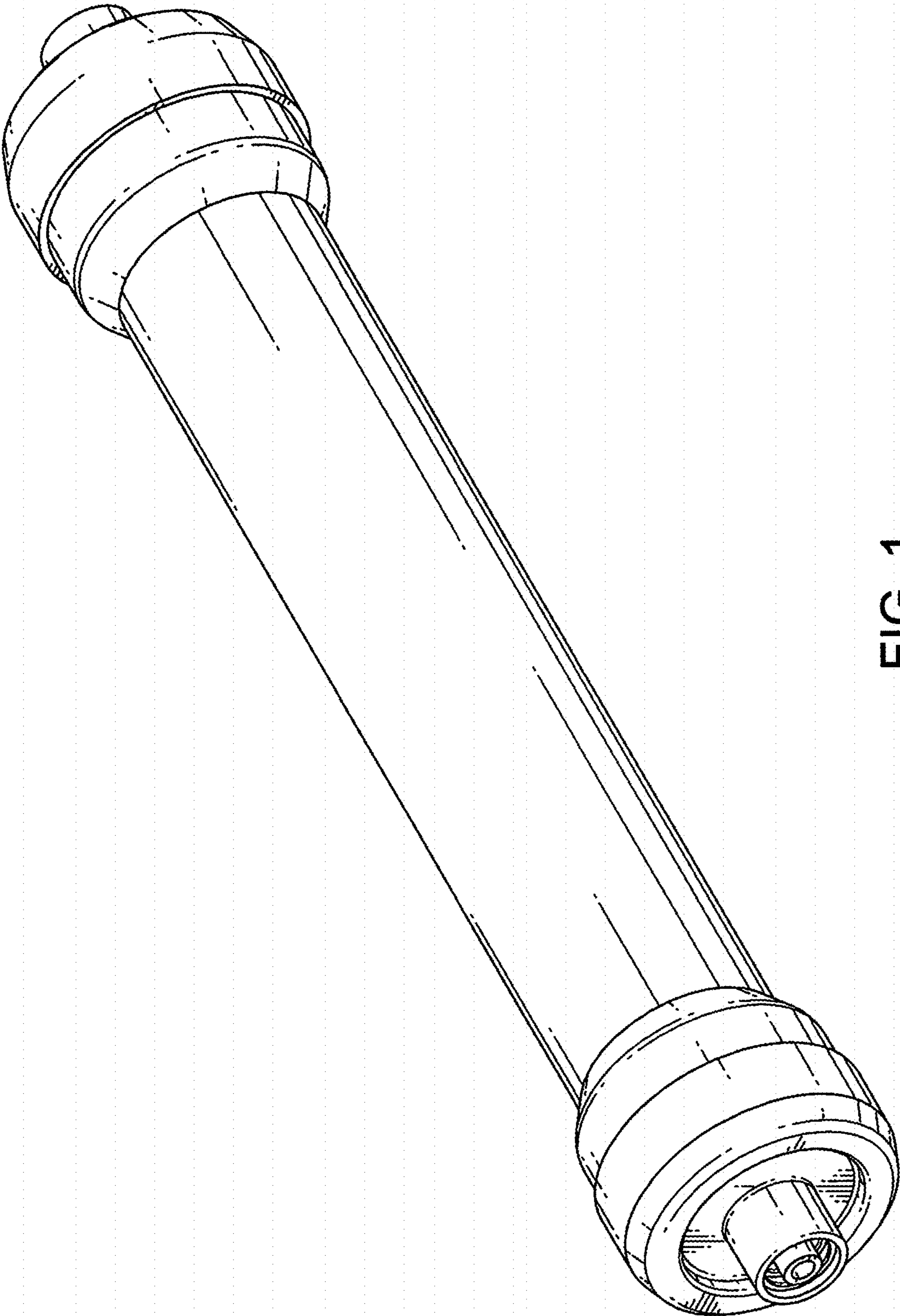


FIG. 1

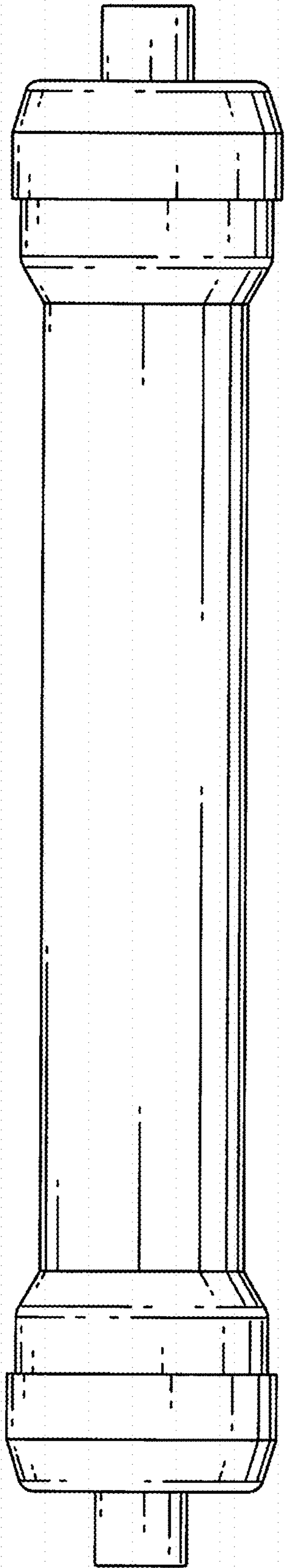


FIG. 2

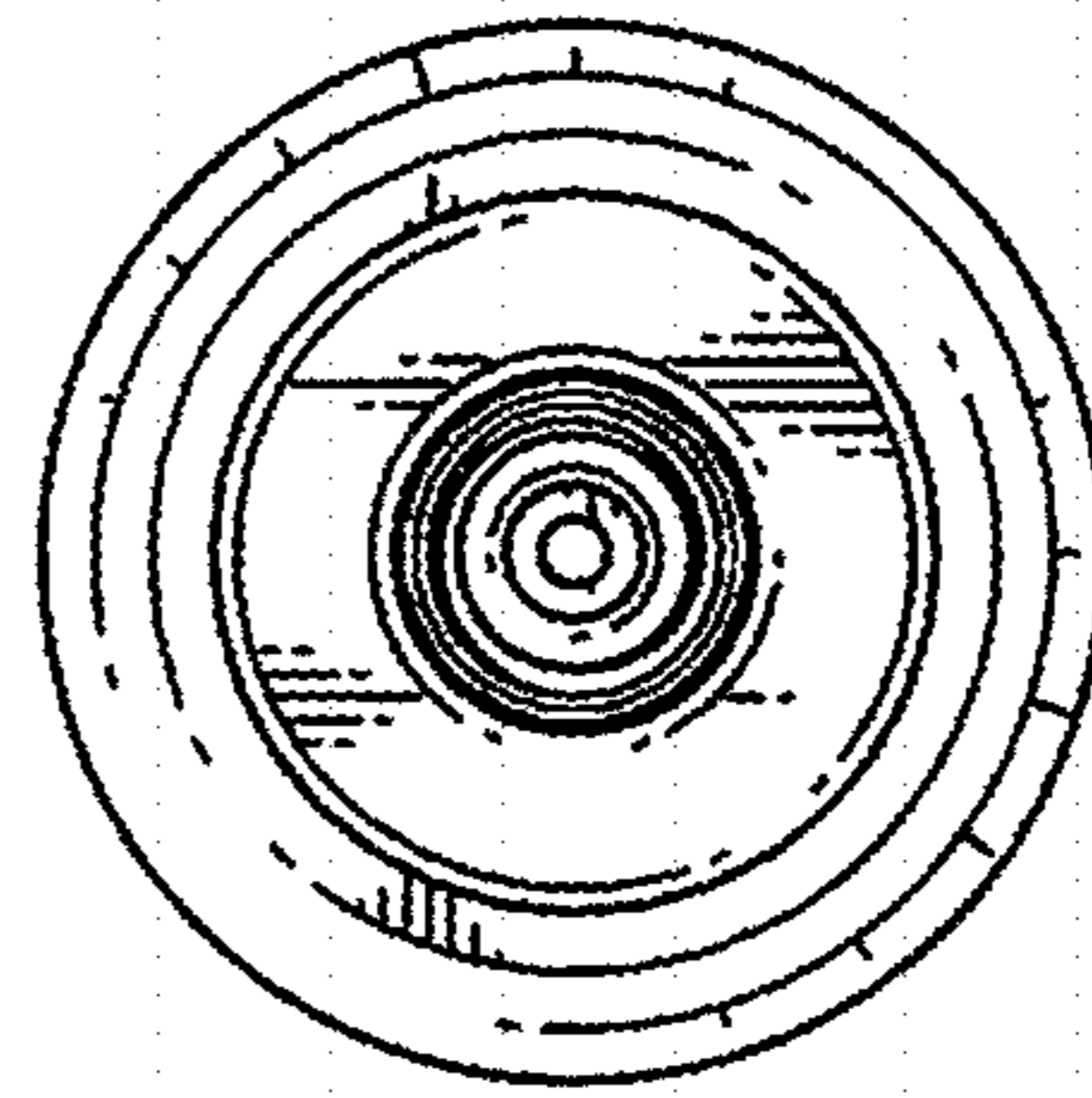


FIG. 3