



US00D952155S

(12) **United States Design Patent**
Joseph

(10) **Patent No.:** **US D952,155 S**

(45) **Date of Patent:** **** May 17, 2022**

(54) **LOWER PORTION OF A MEDICAL DEVICE**

(71) Applicant: **MEDICAL CREATIONS, INC.**,
Aspen, CO (US)

(72) Inventor: **Mark Joseph**, Aspen, CO (US)

(73) Assignee: **Medical Creations, Inc.**, Denver, CO
(US)

(**) Term: **15 Years**

(21) Appl. No.: **29/746,228**

(22) Filed: **Aug. 12, 2020**

(51) **LOC (13) Cl.** **24-03**

(52) **U.S. Cl.**
USPC **D24/156**

(58) **Field of Classification Search**
USPC D24/155
CPC A61F 2/80; A61F 2/60; A61F 2/76; A61F
2/68; A61F 2/64; A61F 2220/0025; A61F
2220/41; A61F 2002/607; A61F
2002/802; A61F 2002/5007
See application file for complete search history.

(56) **References Cited**

U.S. PATENT DOCUMENTS

D336,519 S	*	6/1993	Greene	D24/155
D429,335 S	*	8/2000	Caspers	D24/155
D456,900 S	*	5/2002	Daftary	D24/155
D462,768 S	*	9/2002	Meyer	D24/155

D477,875 S	*	7/2003	Meyer	D24/155
D499,487 S	*	12/2004	Bedard	D24/155
D748,791 S	*	2/2016	Kampas	D24/155
D748,792 S	*	2/2016	Kampas	D24/155
D778,452 S	*	2/2017	Cespedes	D24/190
D798,453 S	*	9/2017	Cheng	D24/155

* cited by examiner

Primary Examiner — Charles D Hanson

(74) *Attorney, Agent, or Firm* — Messner Reeves, LLP;
Scott J. Hawranek

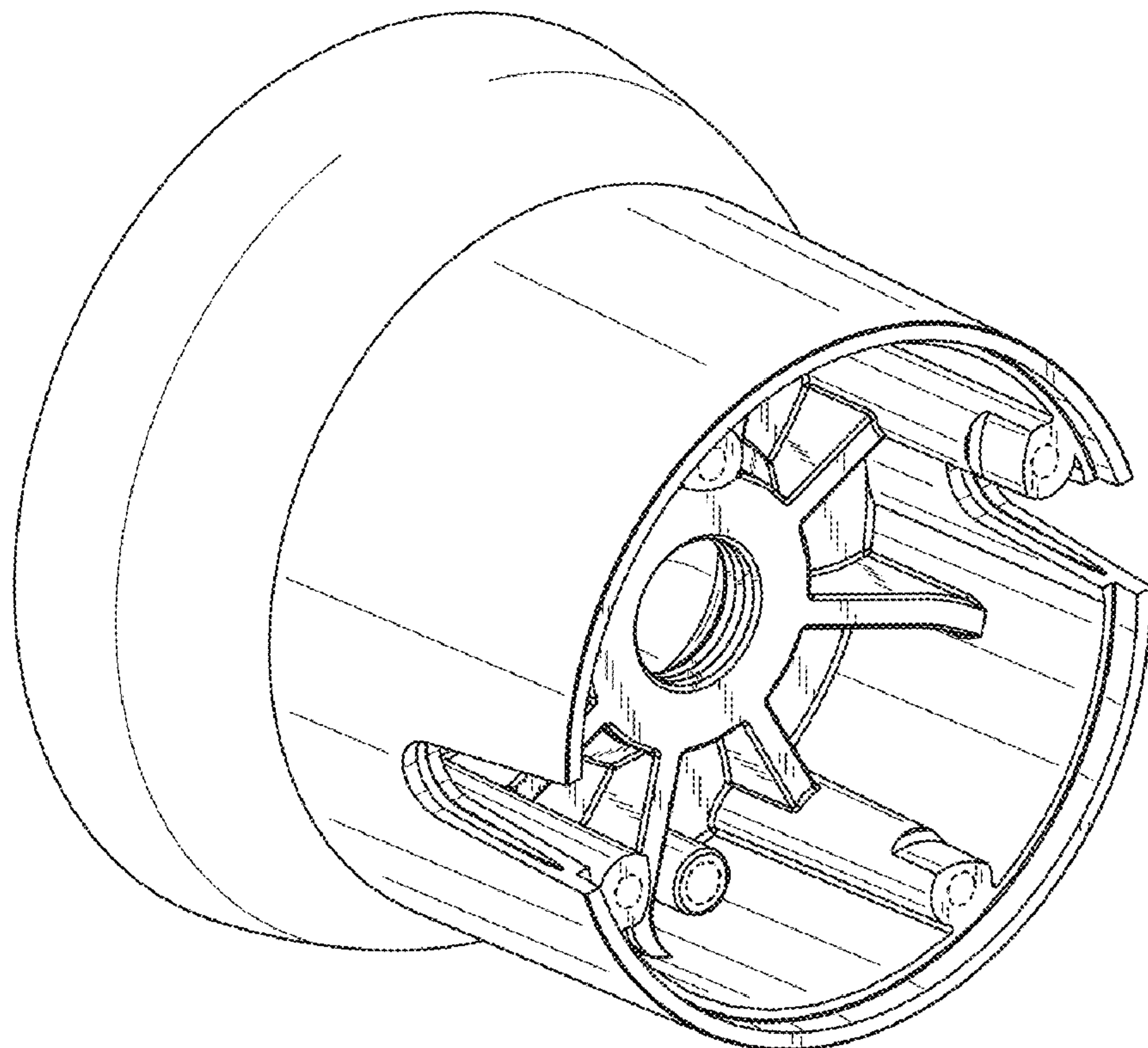
(57) **CLAIM**

I claim the ornamental design for a lower portion of a medical device, substantially as shown and described.

DESCRIPTION

FIG. 1 is a bottom perspective view of a lower portion of a medical device in accordance with the present design; FIG. 2 is top perspective view thereof; FIG. 3 is a right side elevation view thereof; FIG. 4 is a left side elevation view thereof; FIG. 5 is a bottom plan view thereof; FIG. 6 is a top plan view thereof; FIG. 7 is a front elevation view thereof; and, FIG. 8 is a rear elevation view thereof. The features shown in broken lines in the various Figures form no part of the claimed design. The shading show contours, surfaces, or recesses of the present invention.

1 Claim, 4 Drawing Sheets



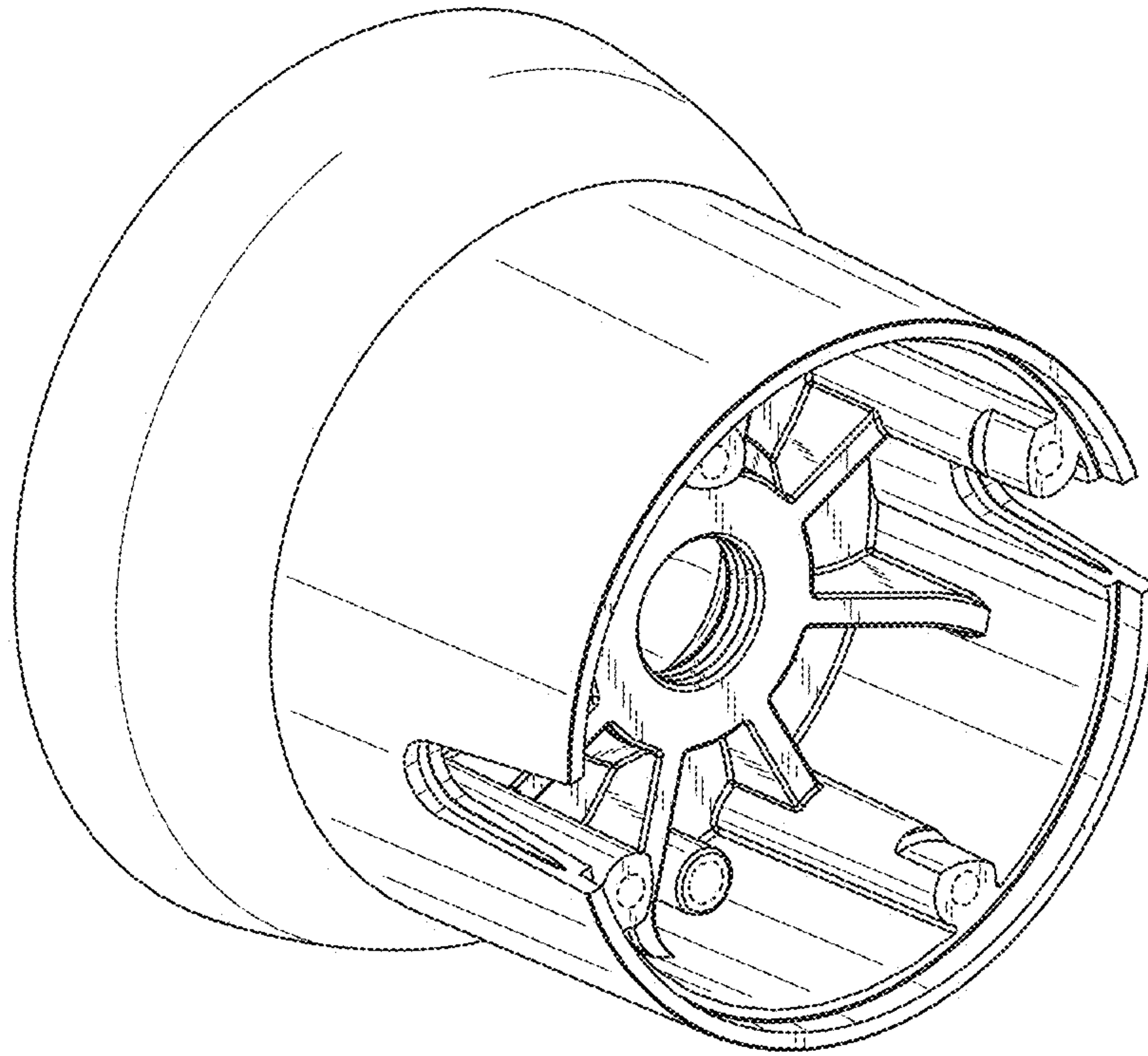


FIG. 1

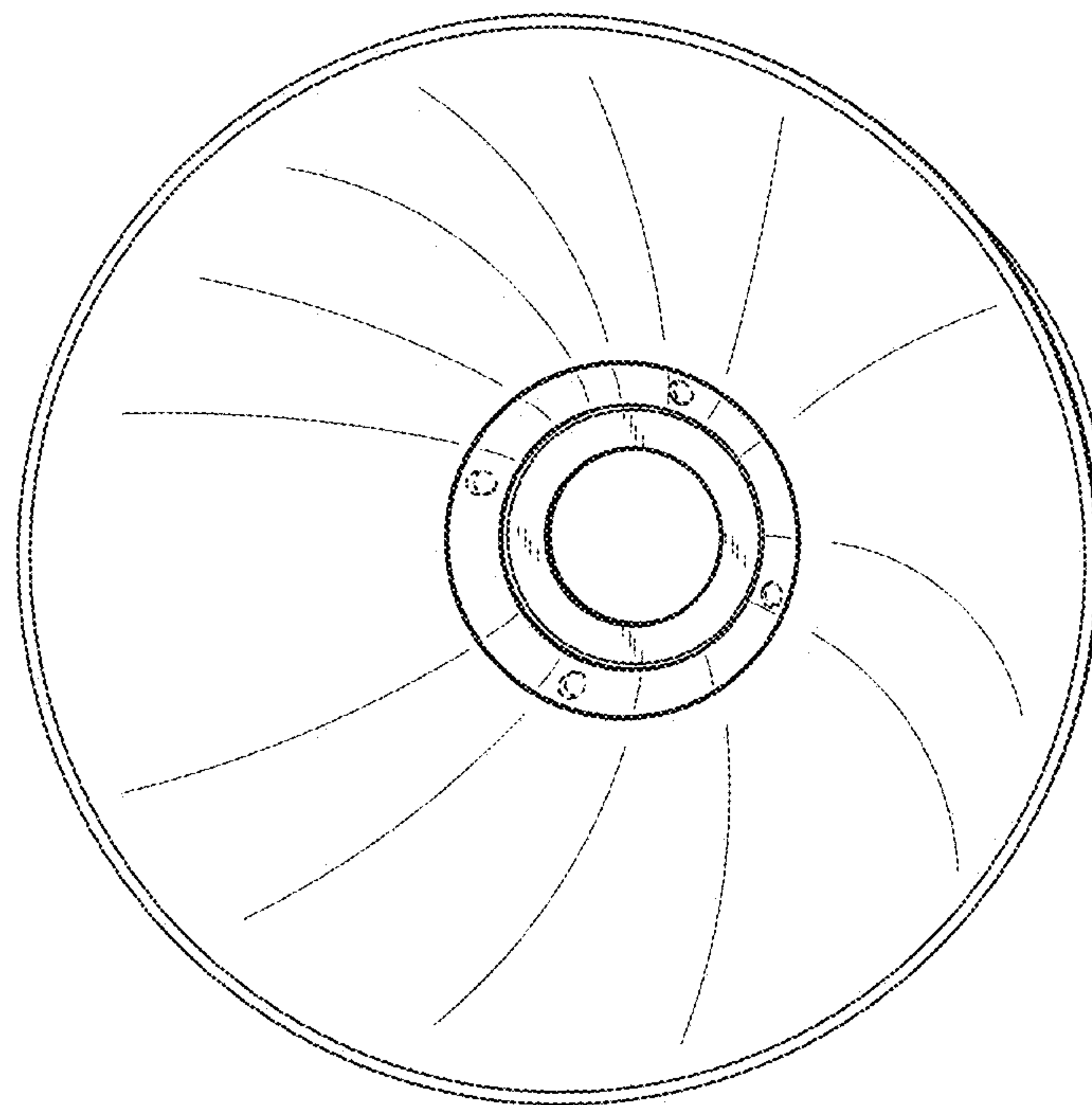


FIG. 2

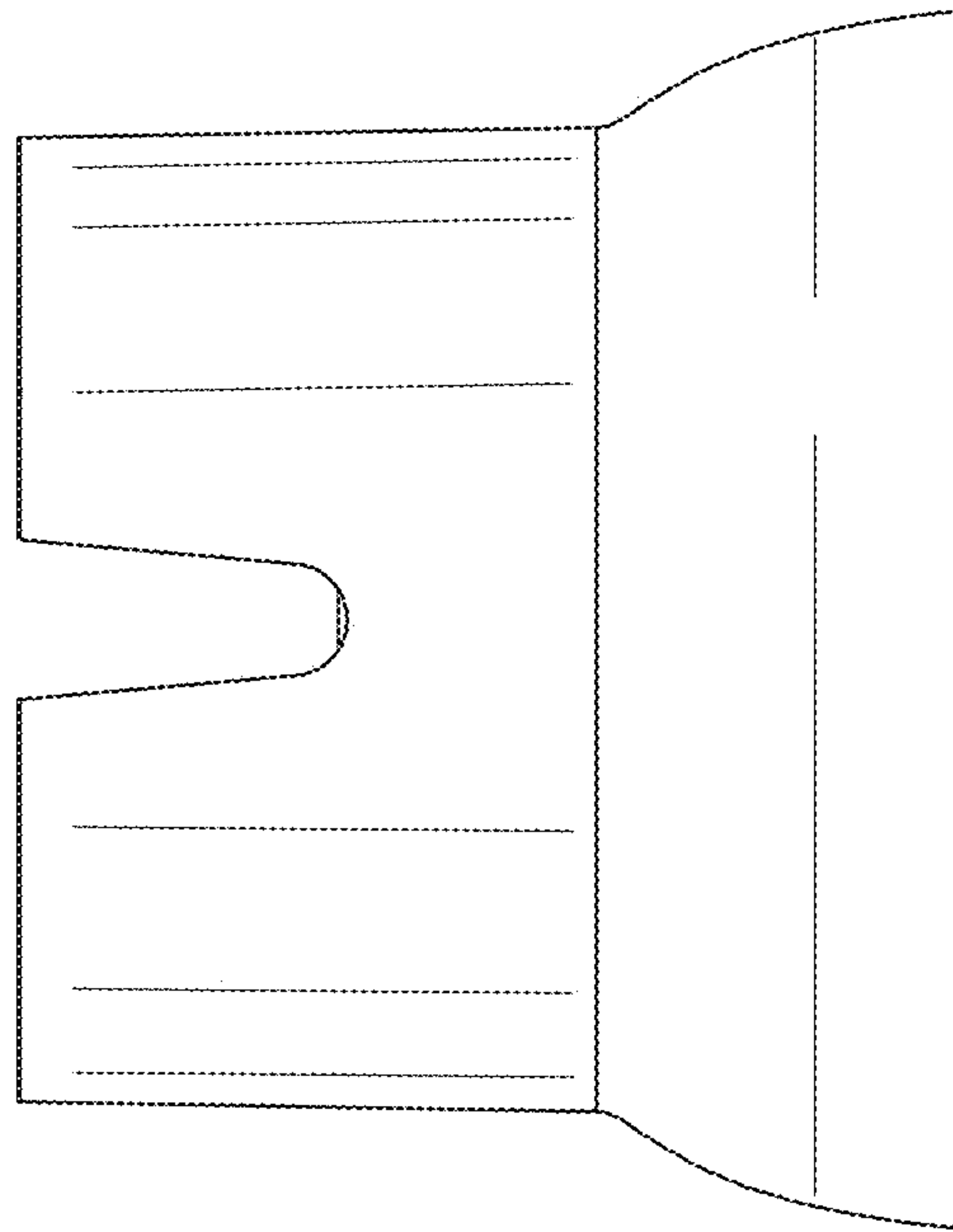


FIG. 3

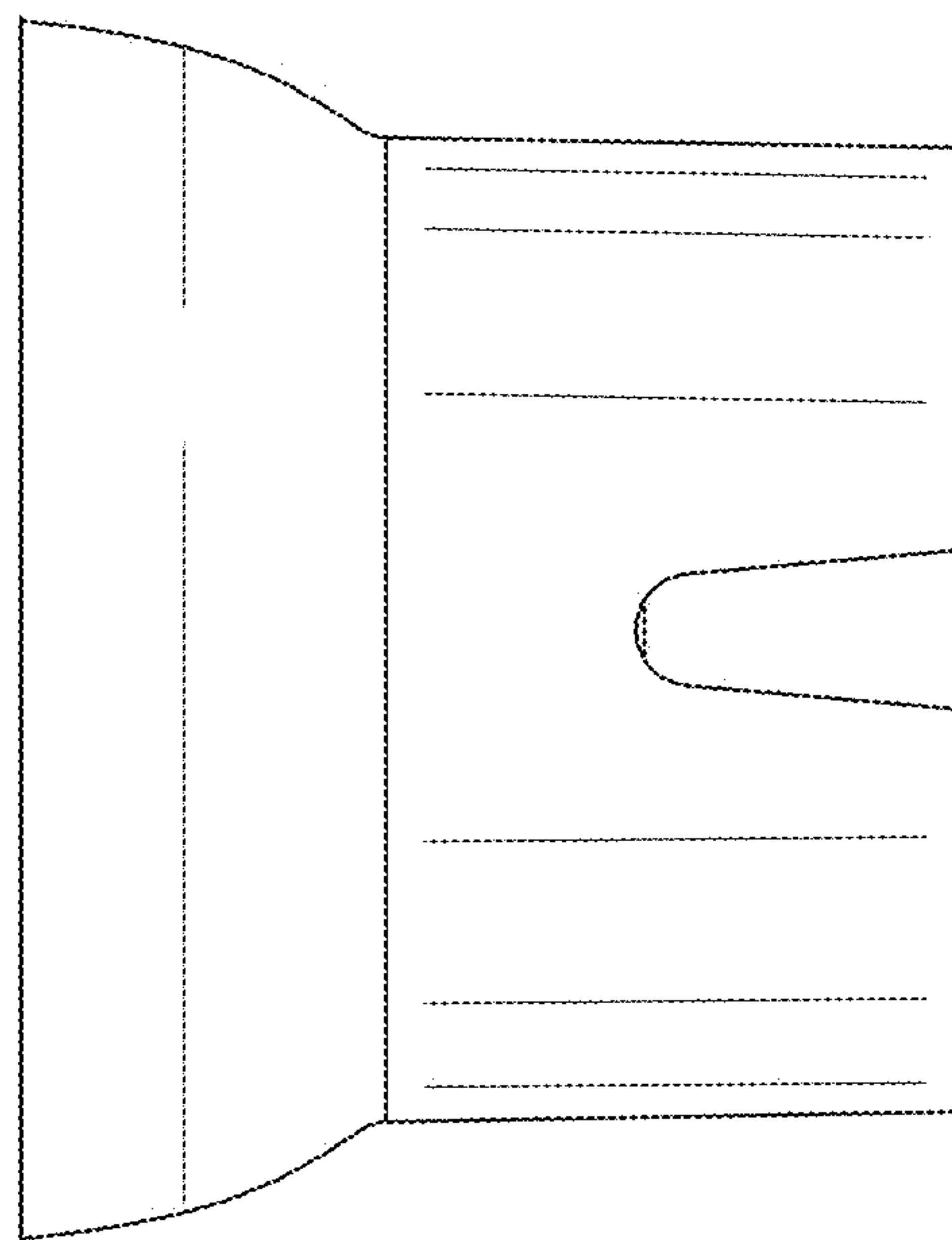


FIG. 4

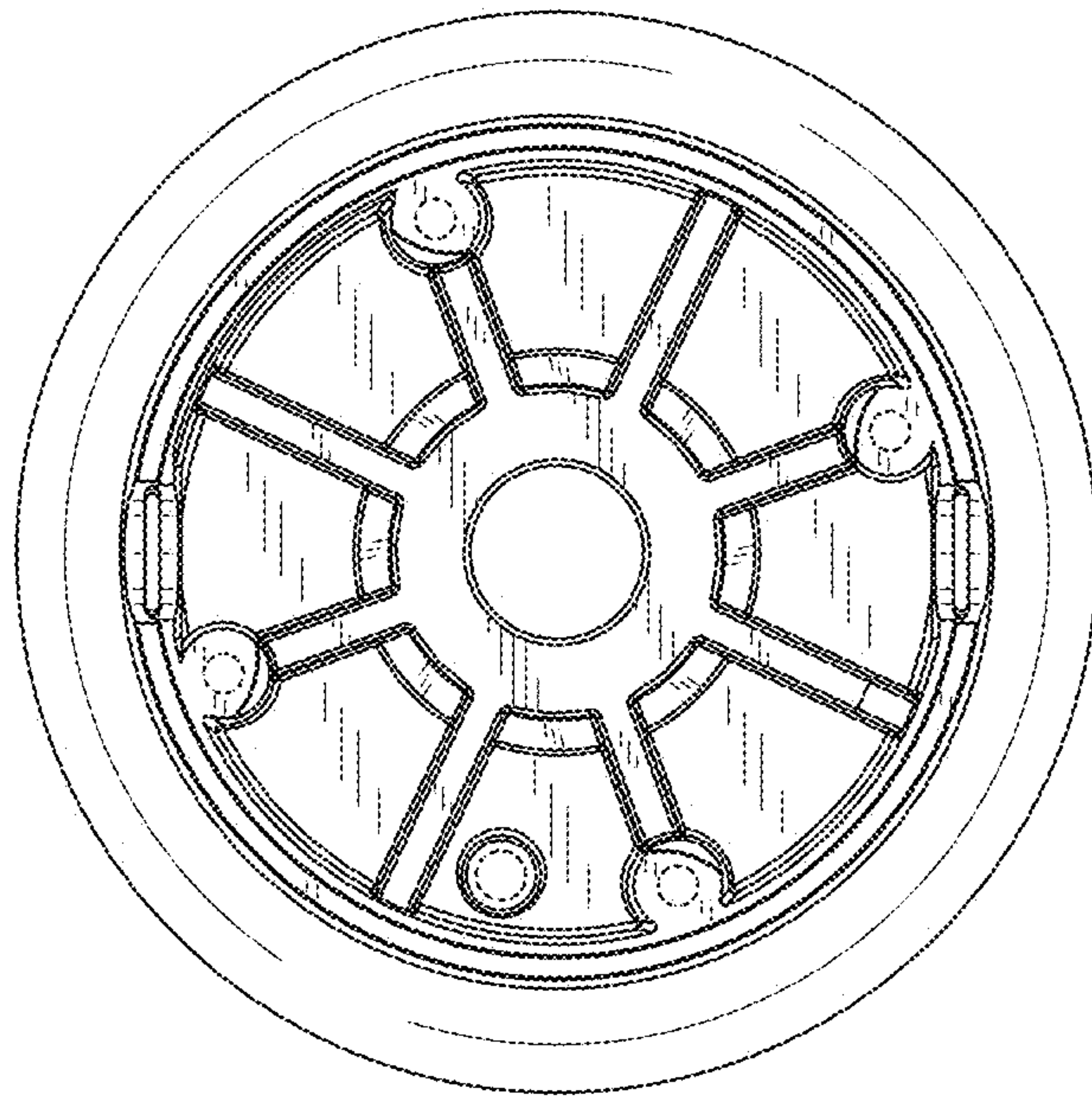


FIG. 5

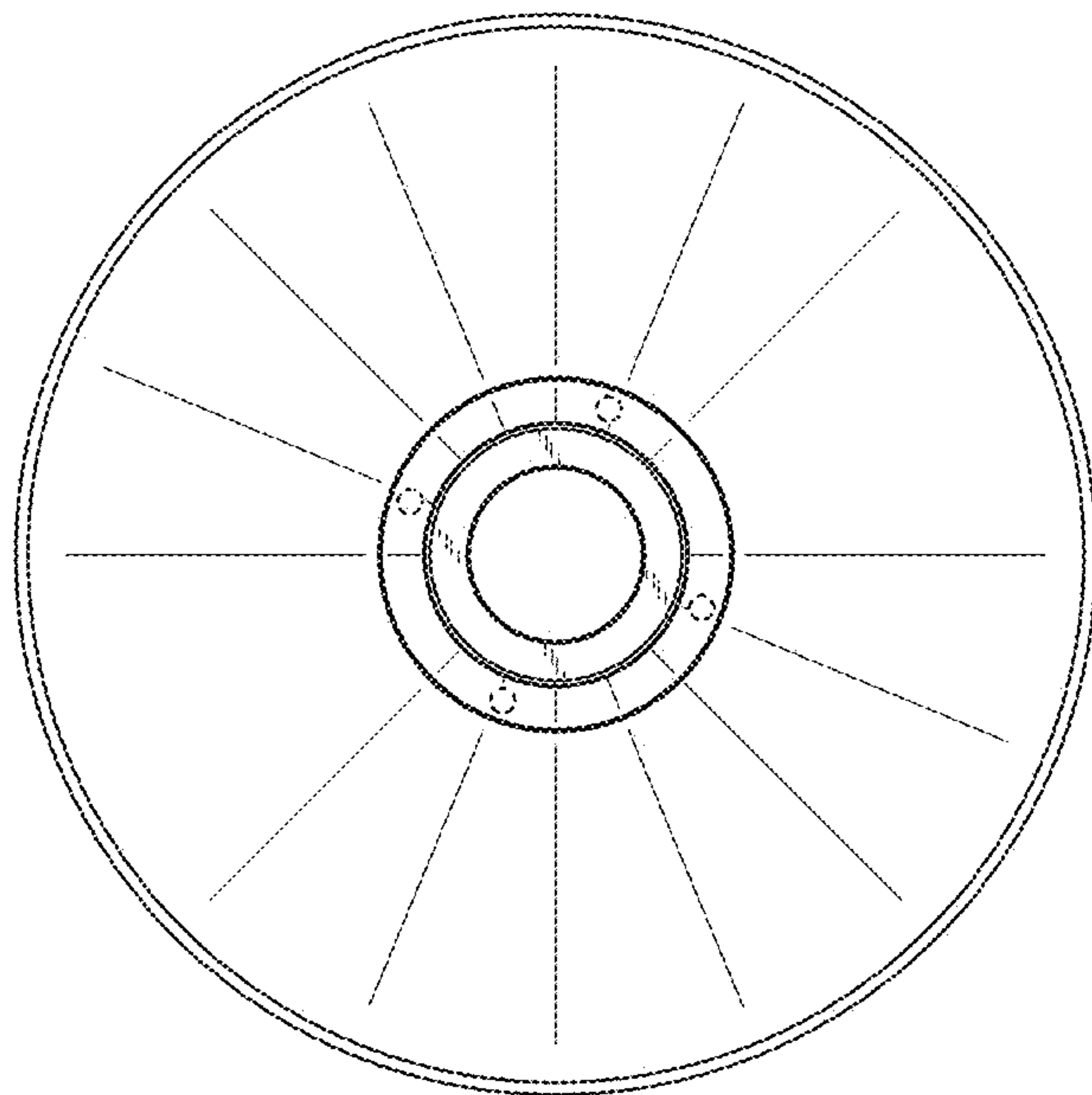


FIG. 6

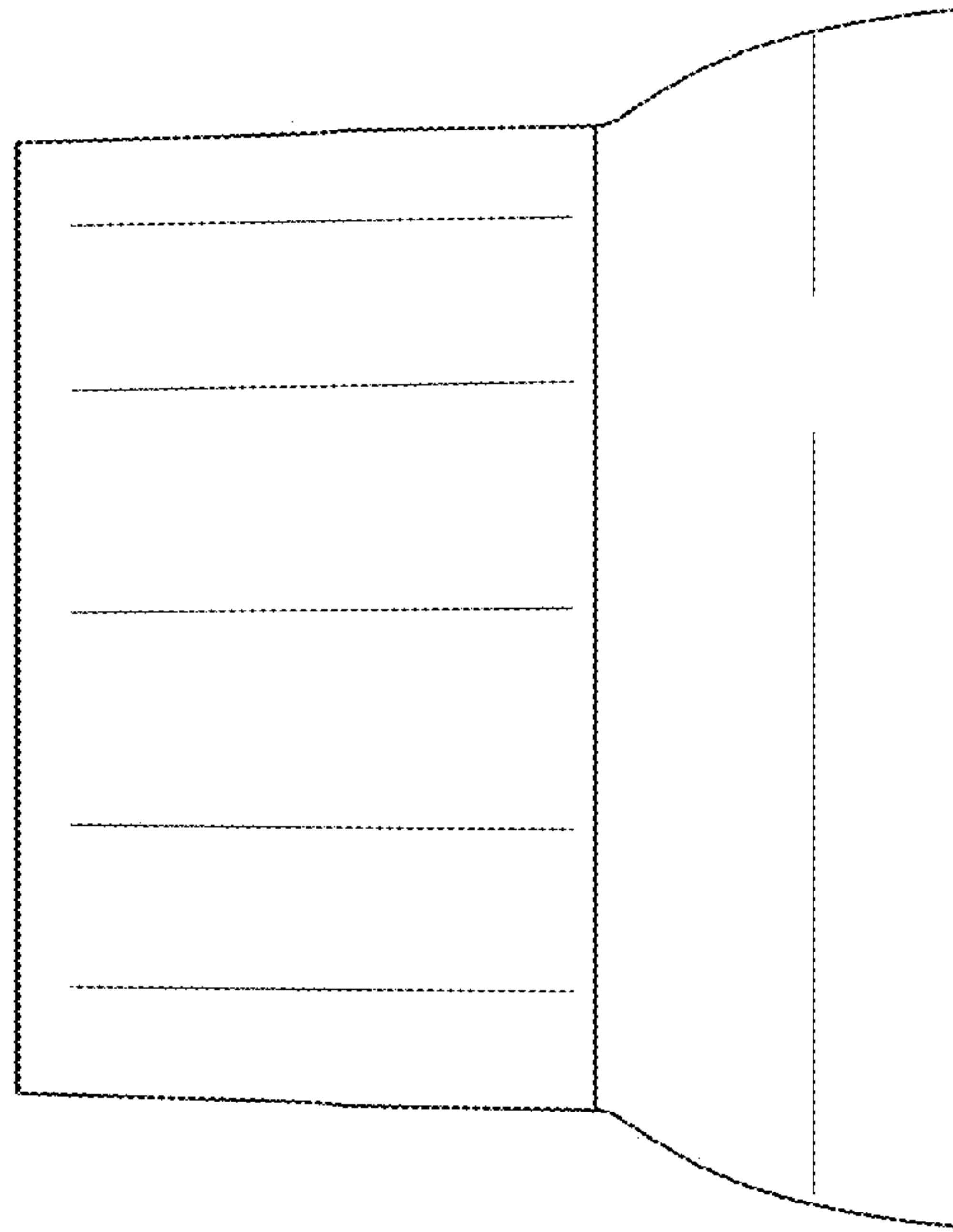


FIG. 7

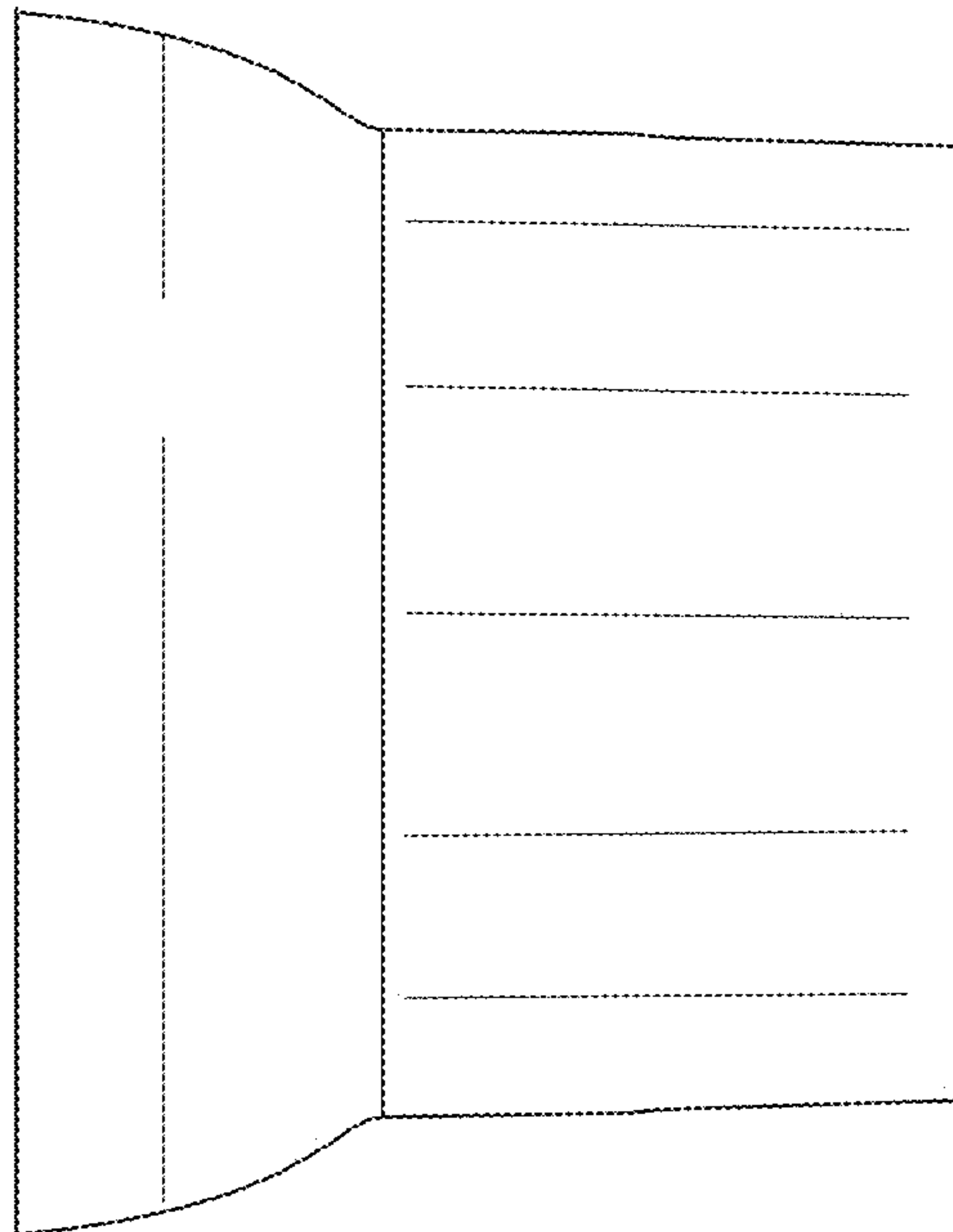


FIG. 8