



US00D952151S

(12) **United States Design Patent**
Dacosta

(10) **Patent No.:** **US D952,151 S**

(45) **Date of Patent:** **** May 17, 2022**

- (54) **BONE WEDGE IMPLANT**
- (71) Applicant: **Paragon 28, Inc.**, Englewood, CO (US)
- (72) Inventor: **Albert Dacosta**, Lone Tree, CO (US)
- (73) Assignee: **Paragon 28, Inc.**, Englewood, CO (US)
- (**) Term: **15 Years**
- (21) Appl. No.: **29/687,226**
- (22) Filed: **Apr. 11, 2019**

Related U.S. Application Data

- (63) Continuation of application No. 29/538,559, filed on Sep. 4, 2015, now Pat. No. Des. 849,944.
- (51) **LOC (13) Cl.** **24-03**
- (52) **U.S. Cl.**
USPC **D24/155**
- (58) **Field of Classification Search**
USPC D24/155
CPC A61F 2/4611; A61F 2/442; A61F 2/447;
A61F 2220/0025; A61F 2310/00023;
A61F 2310/00017; A61F 2002/4475;
A61F 2002/30841; A61F 2002/2835;
A61F 2002/30904; A61F 2002/30785;
A61F 2002/443; A61F 2002/30578
See application file for complete search history.

(56) **References Cited**

U.S. PATENT DOCUMENTS

- 4,863,477 A * 9/1989 Monson A61F 2/442
623/17.12
- 6,008,433 A * 12/1999 Stone A61B 17/68
623/20.14
- 6,723,097 B2 * 4/2004 Fraser A61F 2/4684
606/247
- 8,357,167 B2 * 1/2013 Errico A61F 2/4684
606/90

- D691,272 S * 10/2013 Dacosta D24/155
- D720,456 S * 12/2014 Dacosta D24/155
- D720,457 S * 12/2014 Bono D24/155
- D767,133 S * 9/2016 Gotfried D24/155
- 9,585,765 B2 * 3/2017 Niemiec A61F 2/4455
- D794,796 S * 8/2017 Lin D24/155
- D849,944 S * 5/2019 Dacosta D24/155
- 2003/0105526 A1 * 6/2003 Bryant A61F 2/28
623/16.11

* cited by examiner

Primary Examiner — Charles D Hanson

(74) *Attorney, Agent, or Firm* — Heslin Rothenberg
Farley & Mesiti P.C.

(57) **CLAIM**

The ornamental design for a bone wedge implant, as shown and described.

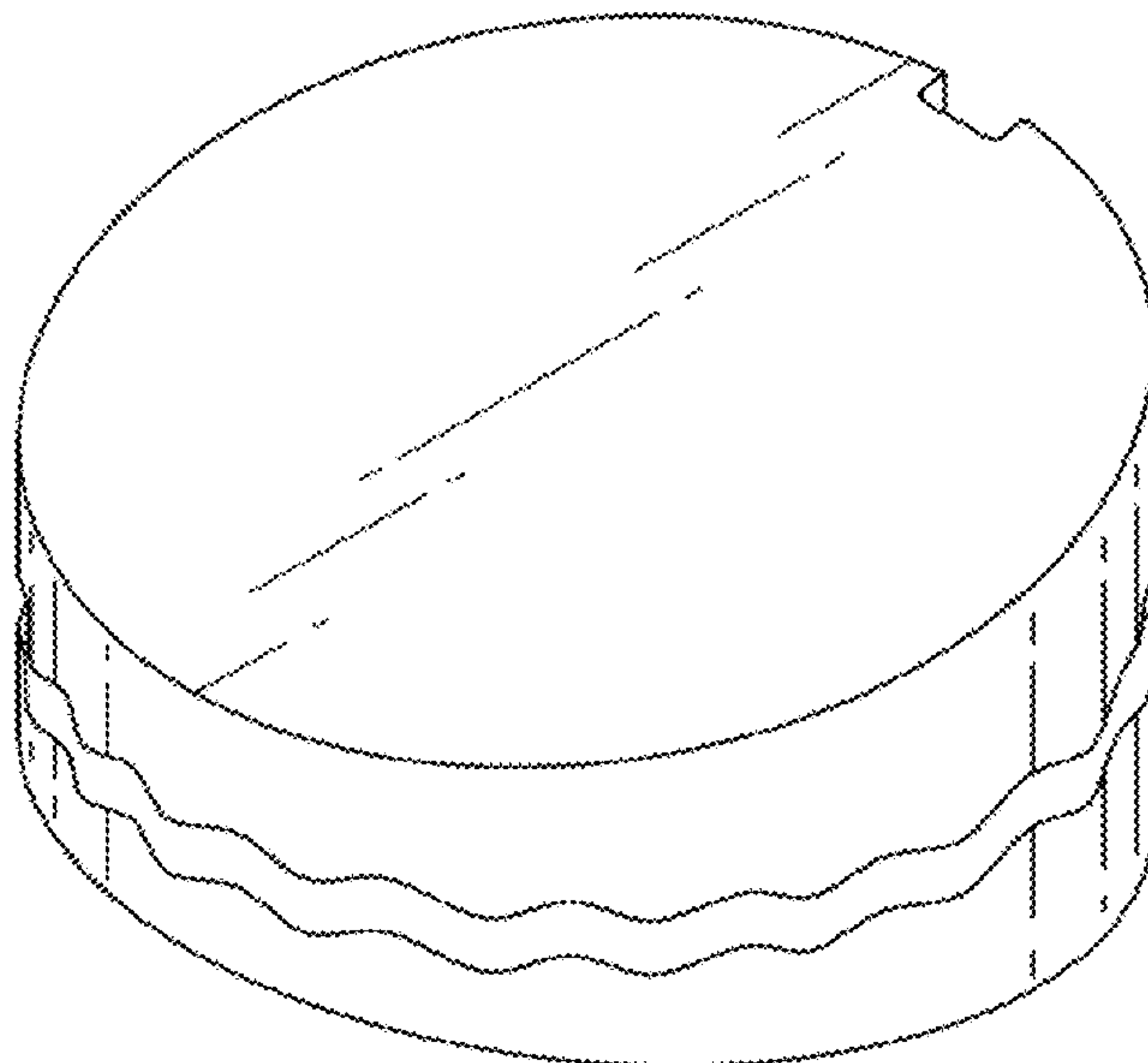
DESCRIPTION

FIG. 1 is a top, front perspective view of a bone wedge implant comprising the new design;
 FIG. 2 is a back, bottom perspective view of the design of FIG. 1;
 FIG. 3 is a front elevational view of the design of FIG. 1;
 FIG. 4 is a back elevational view of the design of FIG. 1;
 FIG. 5 is a right elevational view of the design of FIG. 1;
 FIG. 6 is a left elevational view of the design of FIG. 1; and,
 FIG. 7 is a top view of the design of FIG. 1, where the bottom view is a mirror image thereof.

The broken lines immediately adjacent the shaded areas represent the bounds of the claimed design while all other broken lines are directed to environment and are for illustrative purposes only; the broken lines form no part of the claimed bone wedge implant.

The relatively light intermittently broken surface shading depicts contour.

1 Claim, 3 Drawing Sheets



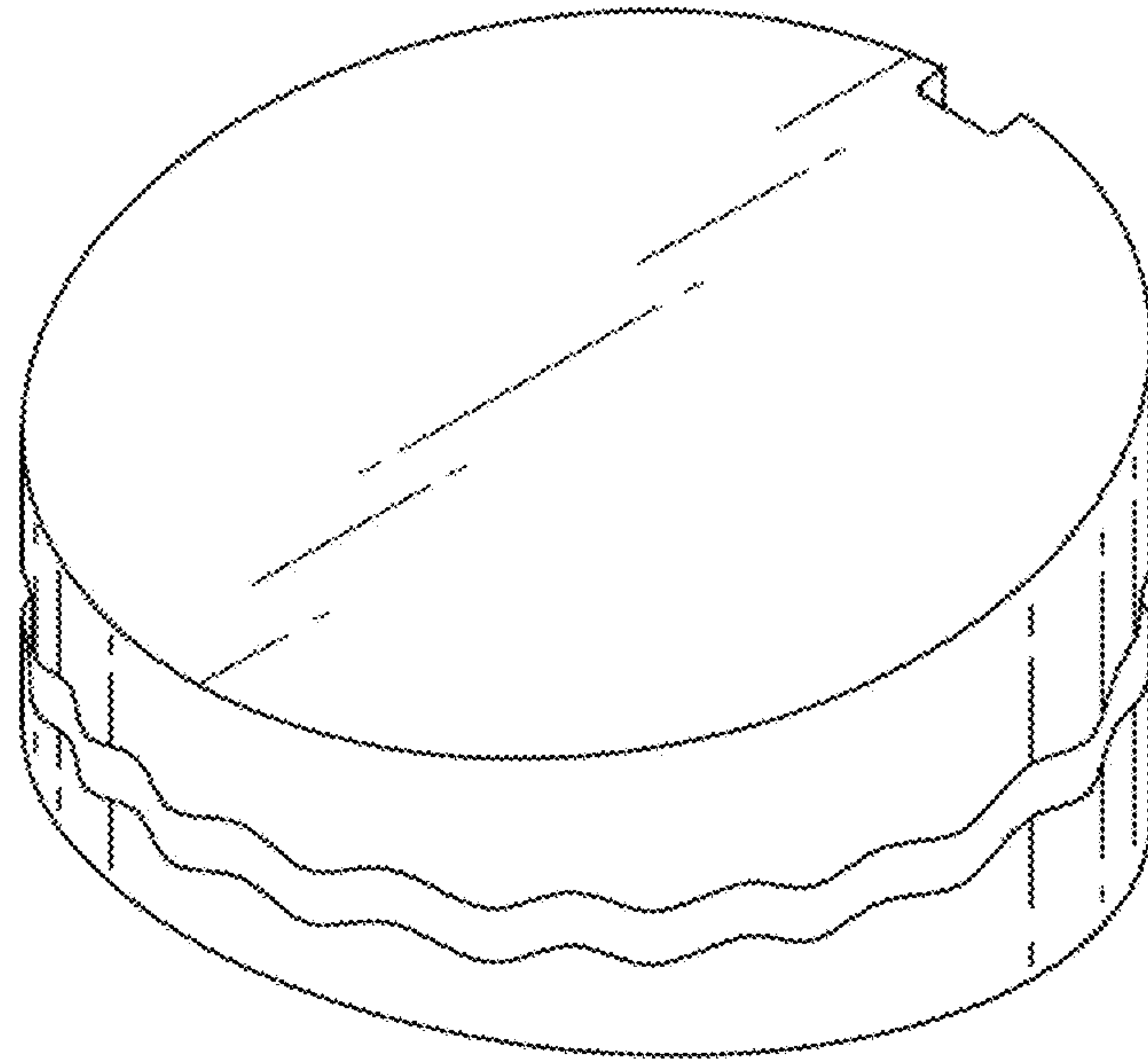


FIG. 1

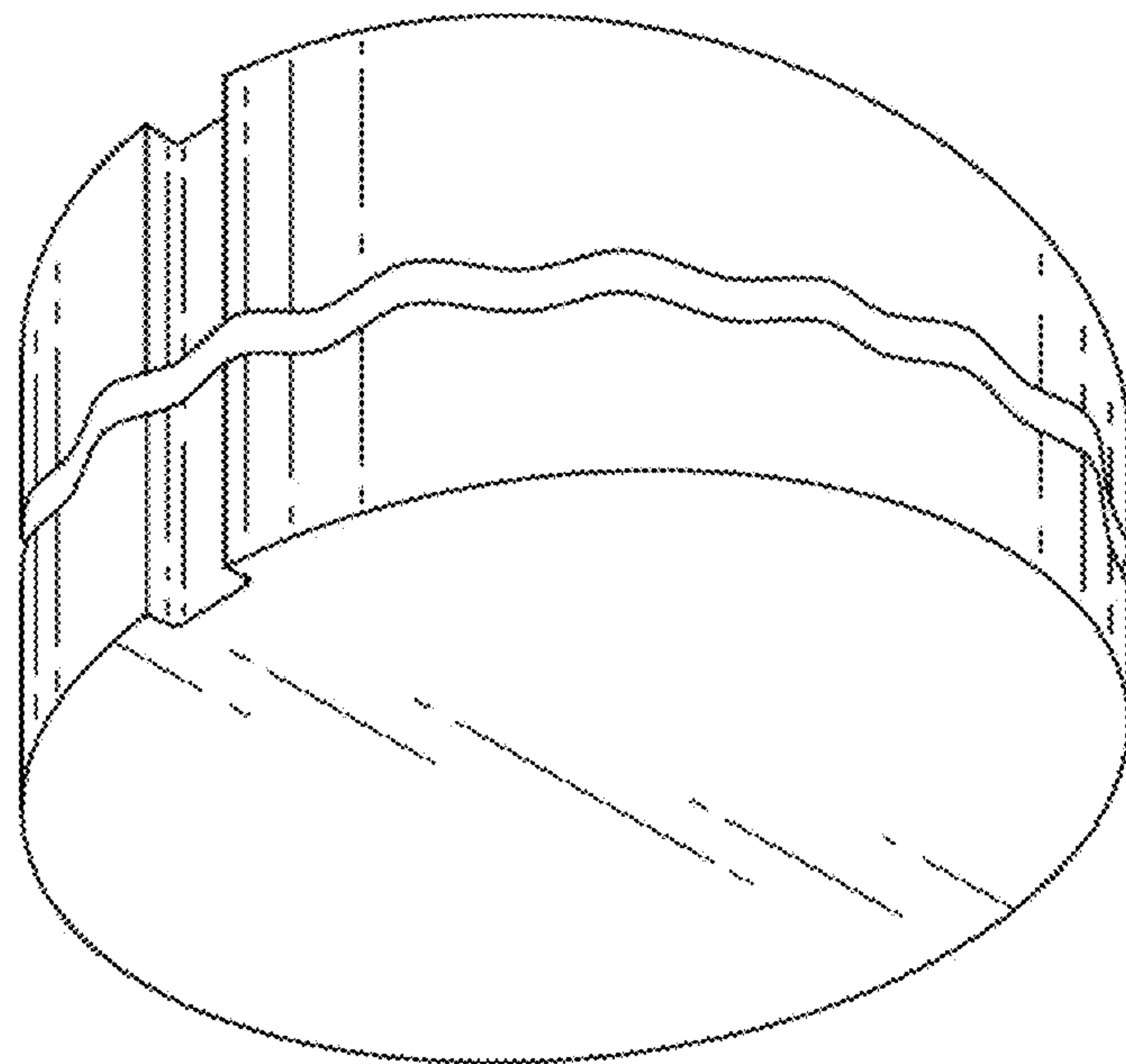


FIG. 2

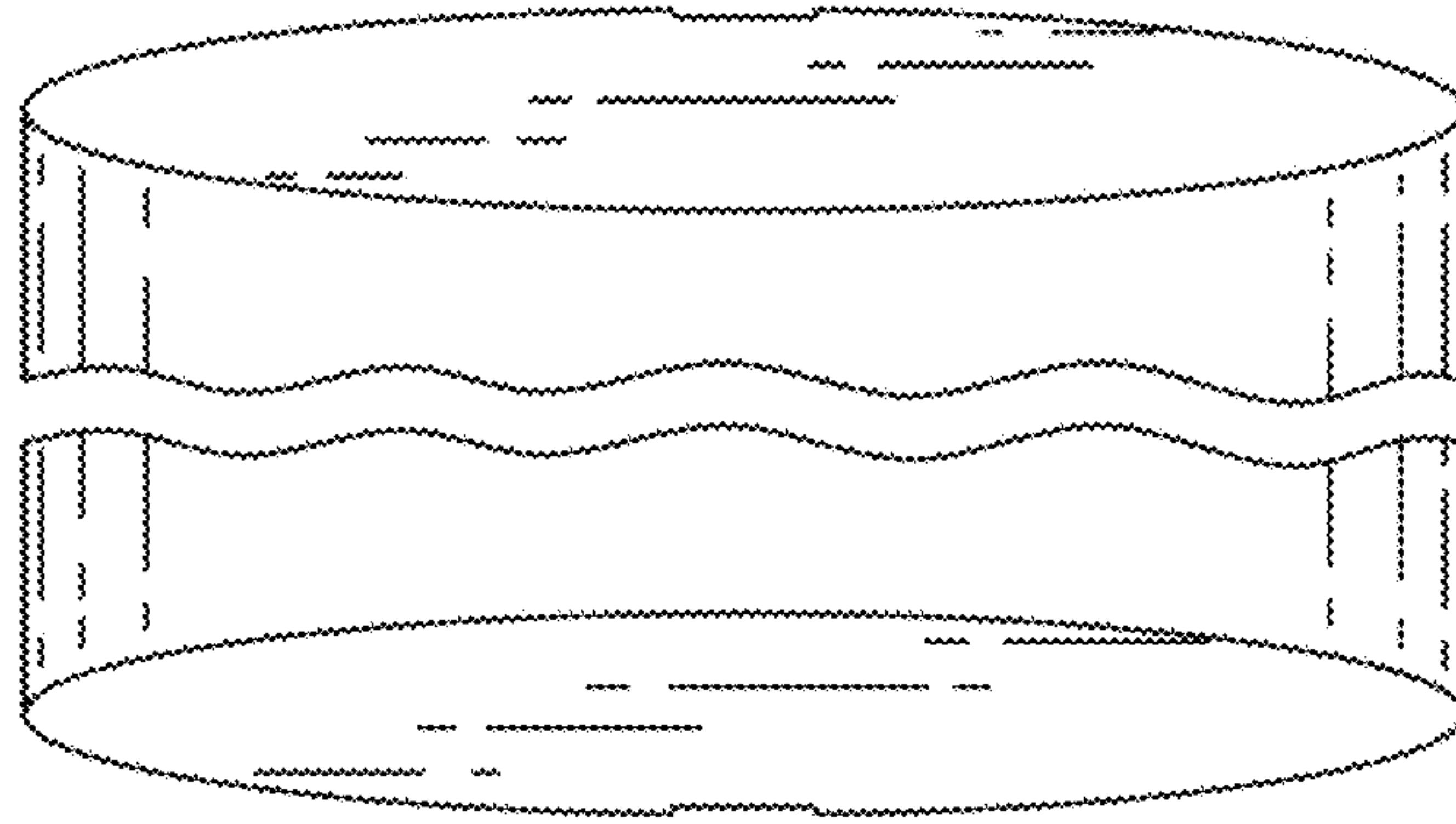


FIG. 3

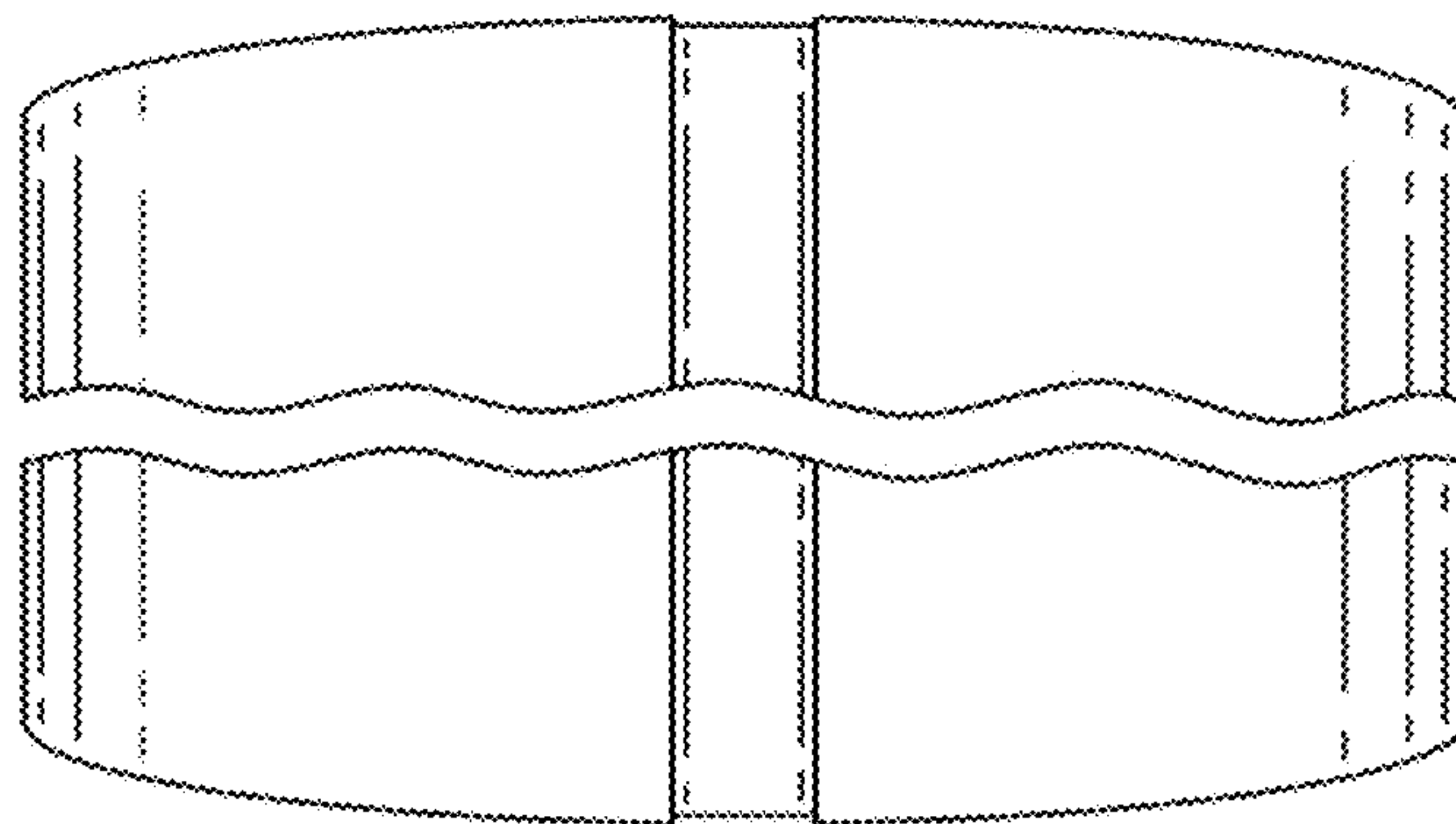


FIG. 4

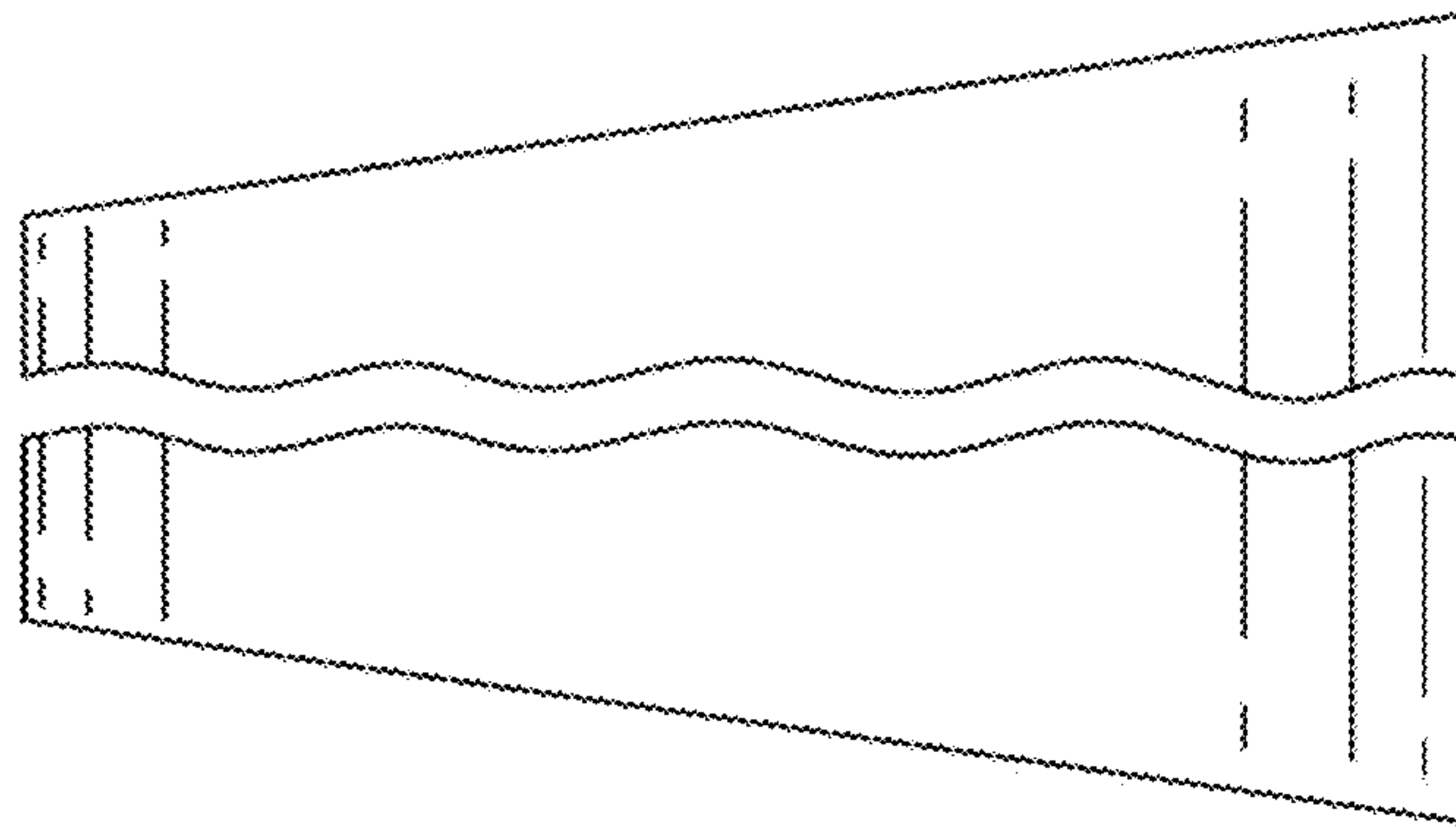


FIG. 5

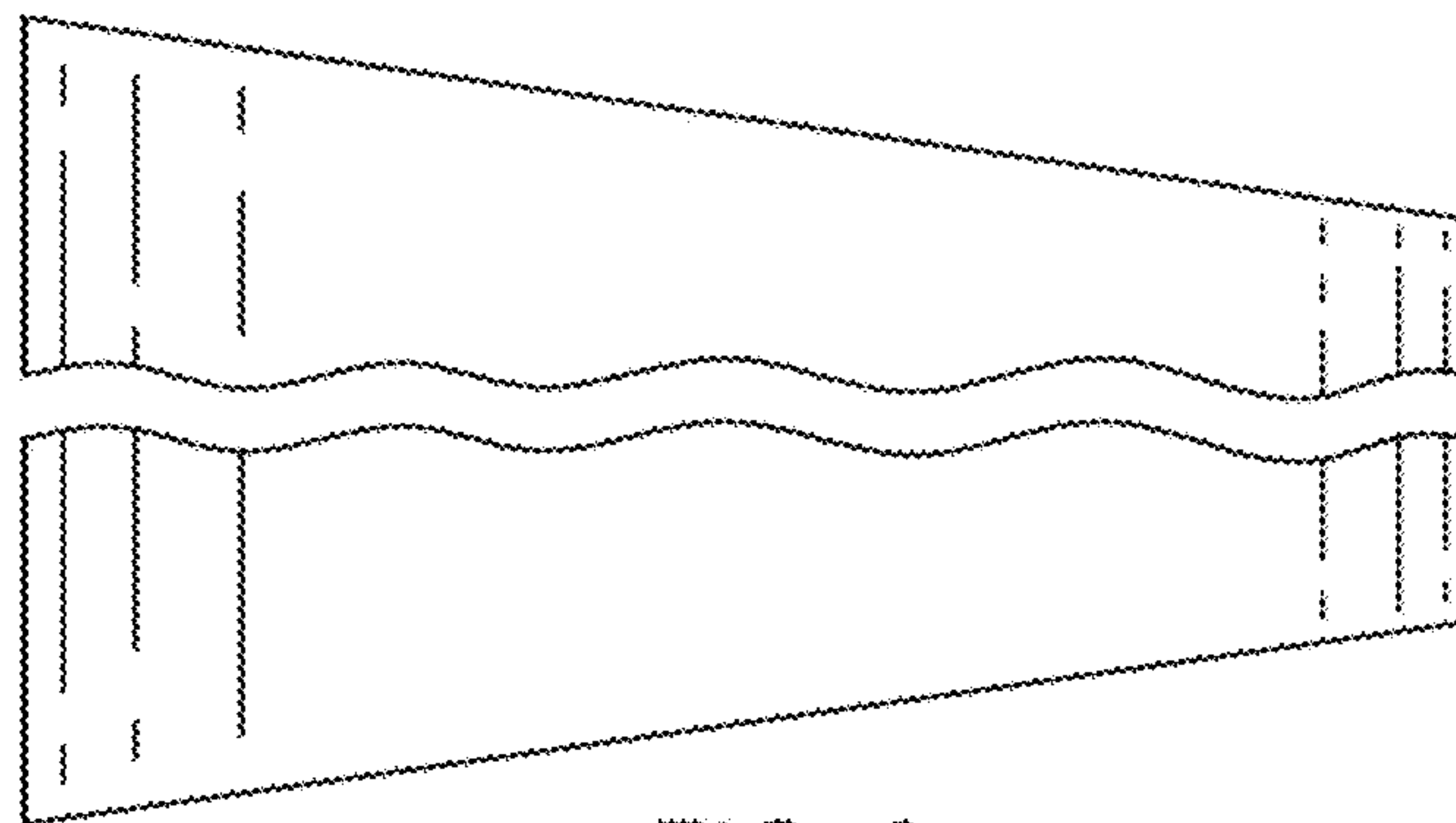


FIG. 6

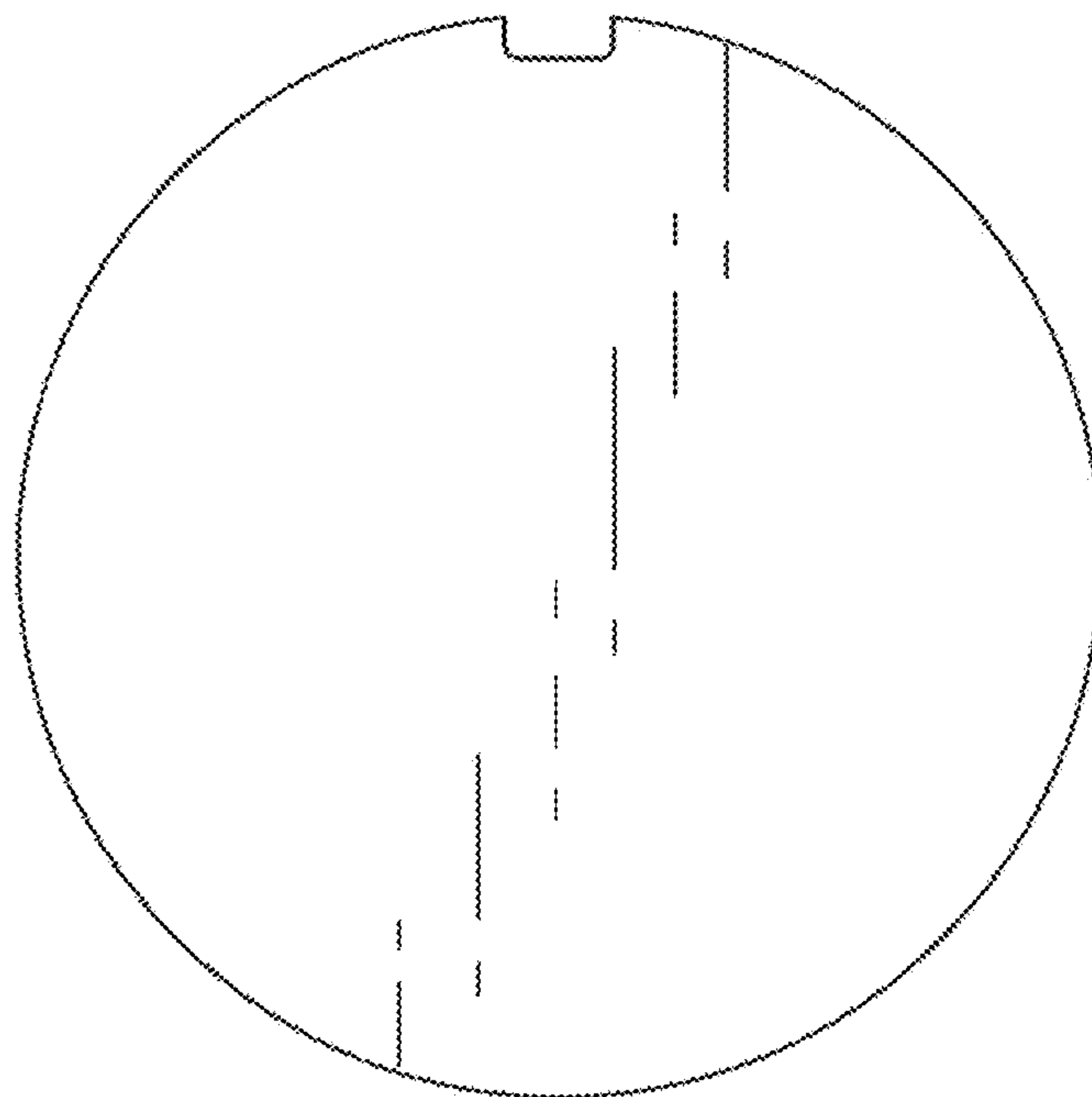


FIG. 7