



US00D952147S

(12) **United States Design Patent** (10) **Patent No.:** **US D952,147 S**
Schifano et al. (45) **Date of Patent:** **** May 17, 2022**

(54) **JOINT FINDER**
(71) Applicant: **Orthocision Inc.**, Folsom, CA (US)
(72) Inventors: **Troy Schifano**, Morgantown, WV (US);
Steve Anderson, Folsom, CA (US)
(**) Term: **15 Years**
(21) Appl. No.: **29/764,759**
(22) Filed: **Dec. 31, 2020**
(51) **LOC (13) Cl.** **24-02**
(52) **U.S. Cl.**
USPC **D24/146**
(58) **Field of Classification Search**
USPC D24/127, 130, 133, 146, 147
CPC .. A61M 25/065; A61M 5/42; A61M 25/0612;
A61M 25/00; A61M 39/00; A61M 27/00;
A61M 25/0043; A61M 25/0067; A61M
25/0097; A61F 2/958
See application file for complete search history.

(56) **References Cited**
U.S. PATENT DOCUMENTS

D282,205 S 1/1986 Davison et al.
D299,536 S 1/1989 Robbins
D302,298 S 7/1989 Chechelski
D318,115 S 7/1991 Michelson
D344,903 S 3/1994 Gampp et al.
D379,510 S 5/1997 Bays
D407,488 S 3/1999 Injev
6,059,832 A 5/2000 Menon
D568,474 S 5/2008 Braunberger et al.
D600,806 S 9/2009 Horton et al.
D601,251 S 9/2009 Horton et al.
D604,459 S 11/2009 Keller
D612,048 S 3/2010 Baynham
D612,050 S 3/2010 Baynham
D612,052 S 3/2010 McCollam et al.
D630,734 S 1/2011 Speiser
7,918,888 B2 4/2011 Hamada

8,394,129 B2 3/2013 Morgenstern
8,568,416 B2 10/2013 Schmitz et al.
D723,682 S 3/2015 Kleiner et al.
D736,378 S 8/2015 Salehi
9,198,675 B2 12/2015 Nelson et al.
D782,042 S 3/2017 Dexter et al.
D783,166 S 4/2017 Champ et al.
D790,699 S 6/2017 Dexter et al.
10,687,828 B2 6/2020 Greenhalgh et al.
10,813,772 B2 10/2020 Lopez
D902,404 S * 11/2020 Patcharakitti D24/146
(Continued)

Primary Examiner — Samantha Q Lawrence
(74) *Attorney, Agent, or Firm* — Sierra IP Law, PC;
William K. Nelson

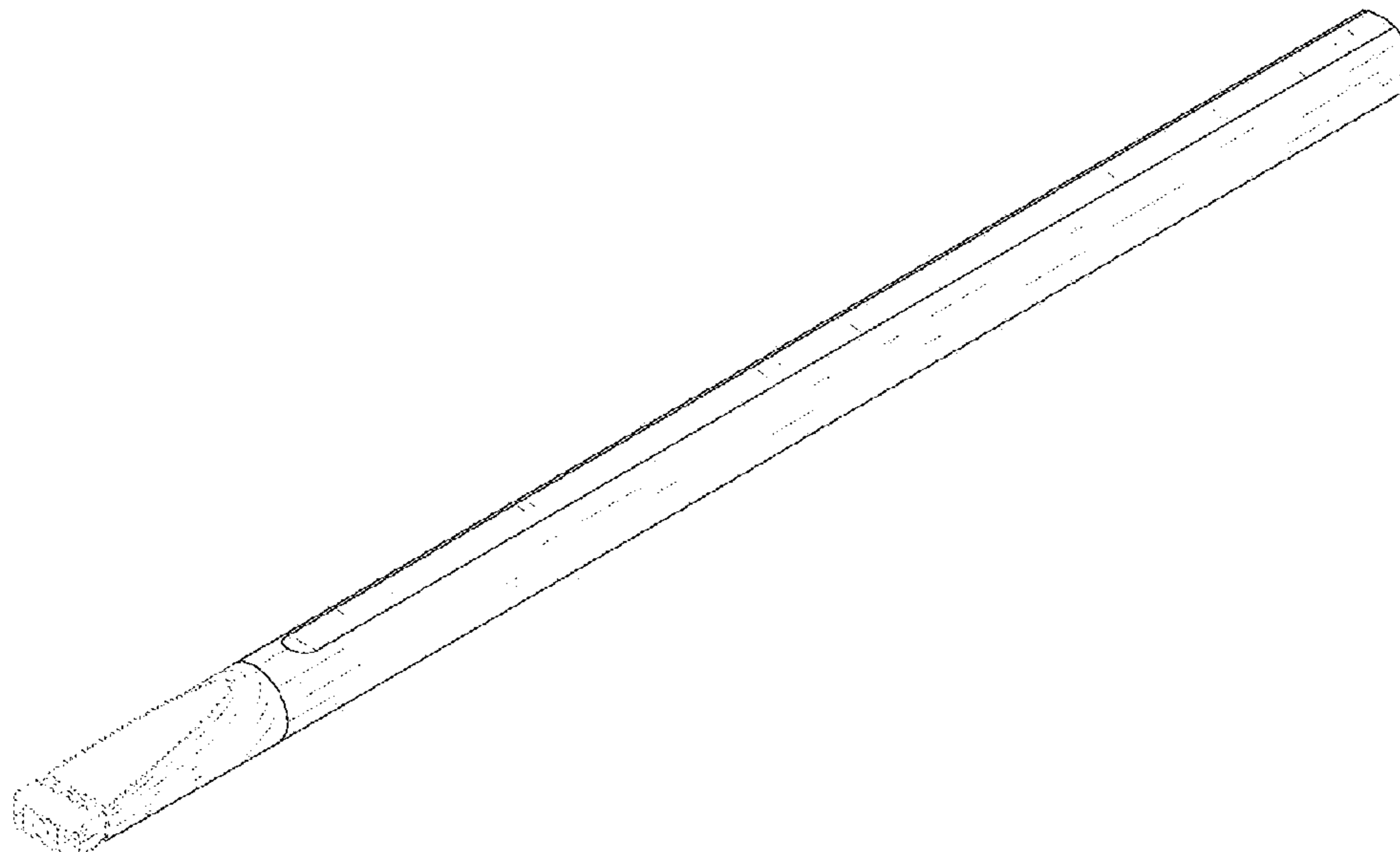
(57) **CLAIM**

We claim the ornamental design for a joint finder, as shown and described.

DESCRIPTION

FIG. 1 is a perspective view of the joint finder with the proximal end of the joint finder positioned in an upward position;
FIG. 2 is a side view of a first side of the joint finder of FIG. 1;
FIG. 3 is a side view of a second side of the joint finder of FIG. 1;
FIG. 4 is a side view of a third side of the joint finder of FIG. 1;
FIG. 5 is a side view of a fourth side of the joint finder of FIG. 1;
FIG. 6 is a view of the distal end of the joint finder of FIG. 1; and,
FIG. 7 is a view of the proximal end of the joint finder of FIG. 1.
The broken lines in the drawings illustrate portions of the joint finder which form no part of the claimed design.

1 Claim, 7 Drawing Sheets



(56)

References Cited

U.S. PATENT DOCUMENTS

D902,405 S * 11/2020 Renwick D24/146
D905,232 S * 12/2020 Schifano D24/112
D910,849 S * 2/2021 Shi D24/146
D912,804 S * 3/2021 Sato D24/114
D915,590 S * 4/2021 Fujisaki D24/146
D915,862 S * 4/2021 Korbuly D8/107
D919,087 S * 5/2021 Schifano D24/135
D921,197 S * 6/2021 Bravman D24/146
D922,568 S * 6/2021 Schifano D24/113
2007/0233127 A1 10/2007 Tuke et al.
2014/0277460 A1* 9/2014 Schifano A61F 2/4455
623/17.11
2014/0350614 A1 11/2014 Frey et al.

* cited by examiner

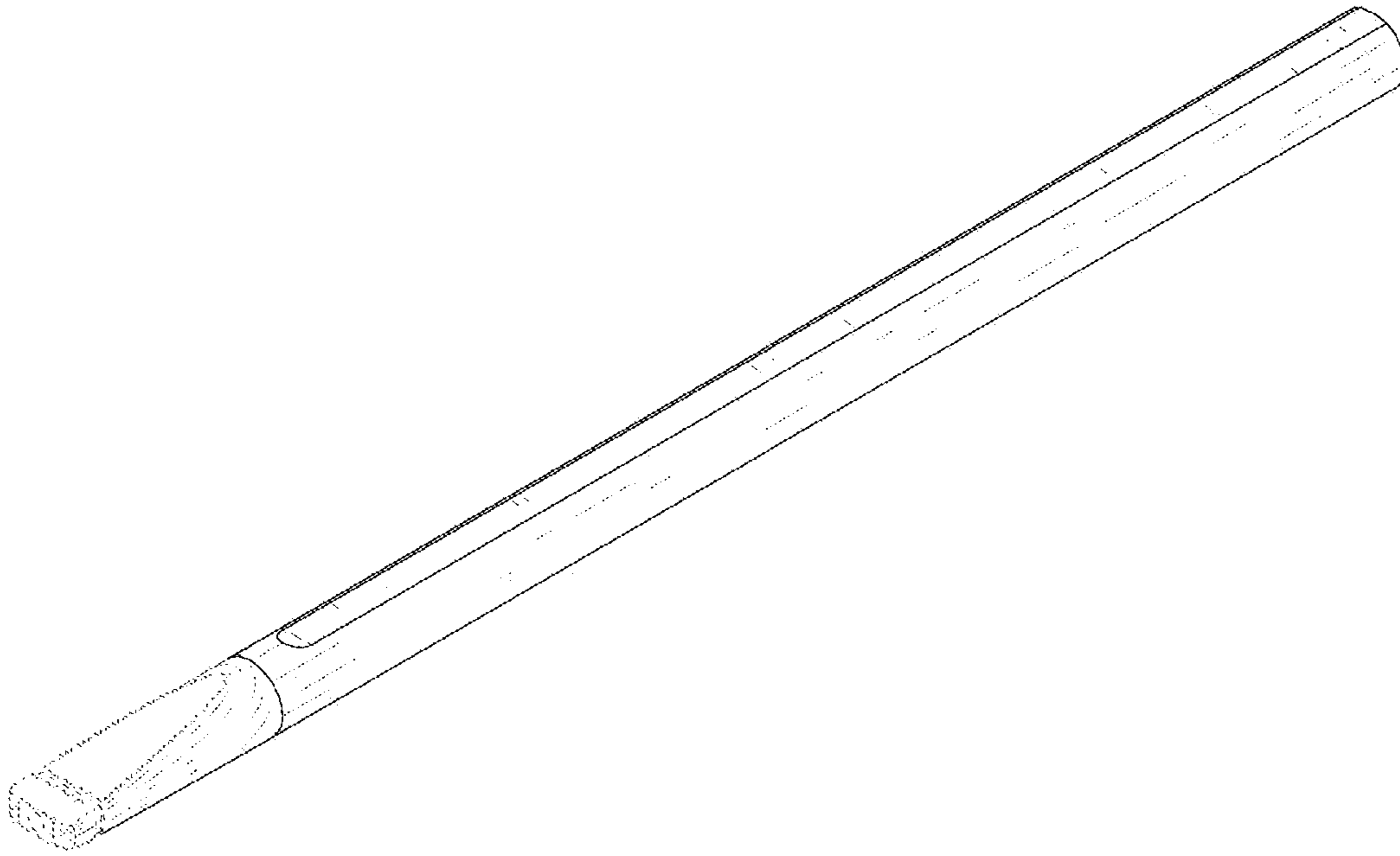


FIG. 1

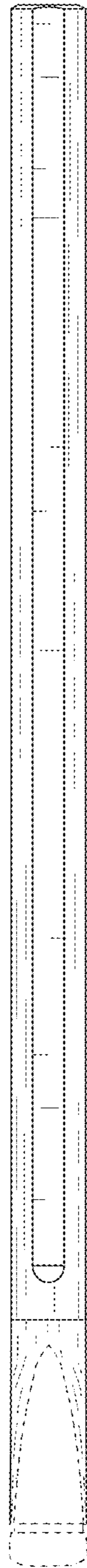


FIG. 2

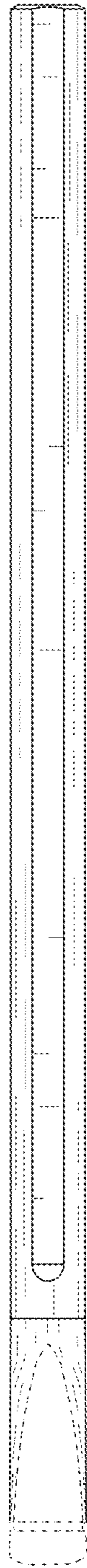


FIG. 3

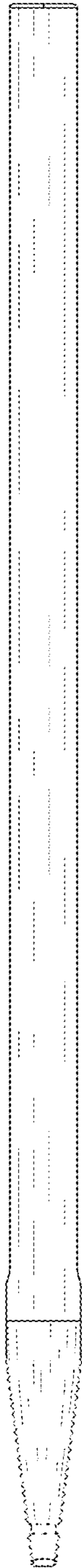


FIG. 4

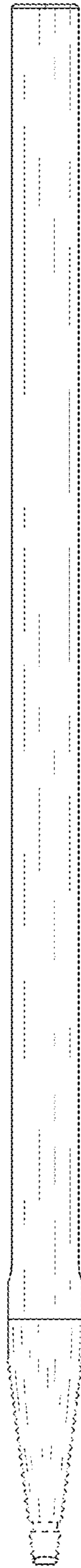


FIG. 5

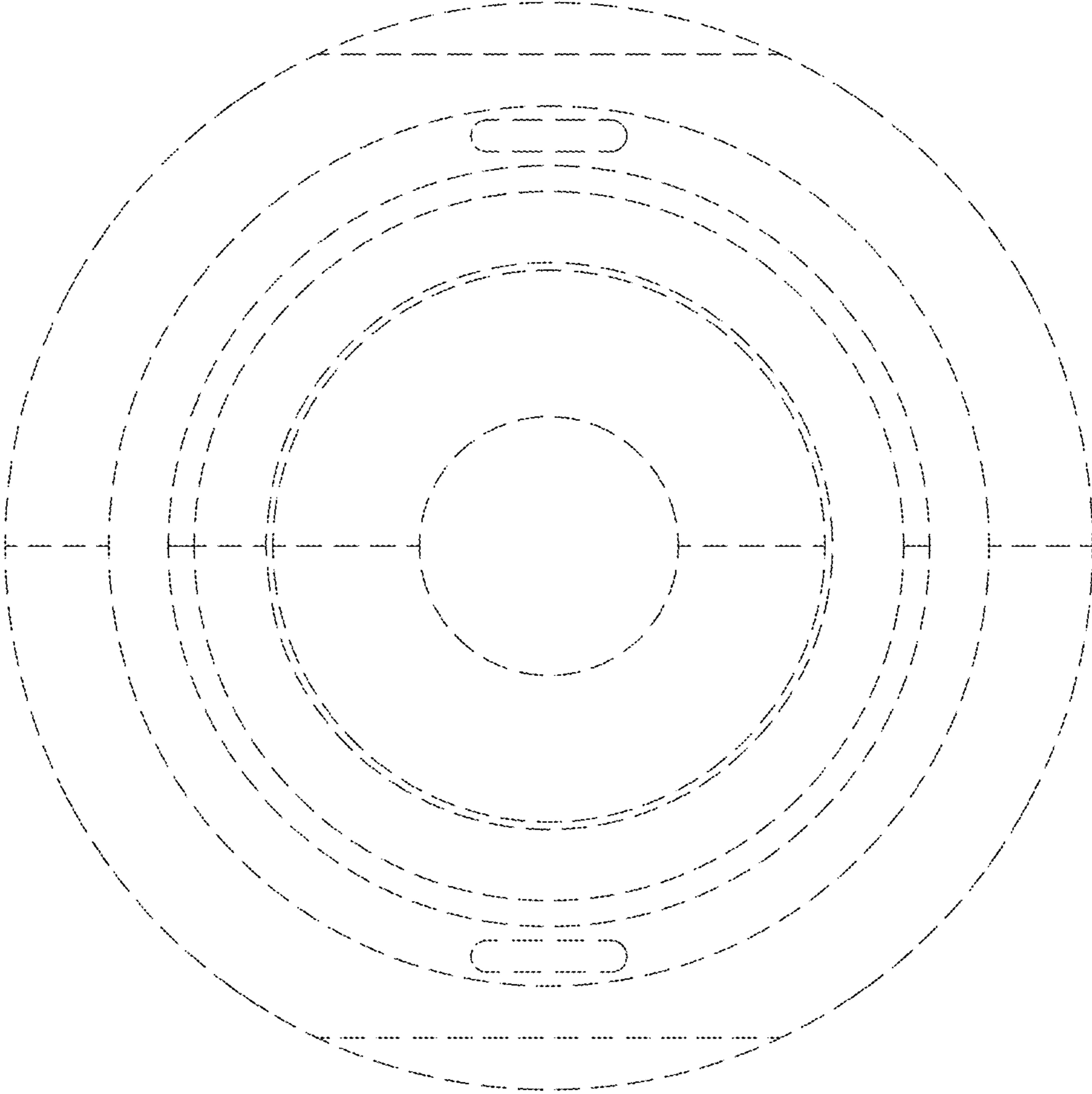


FIG. 6

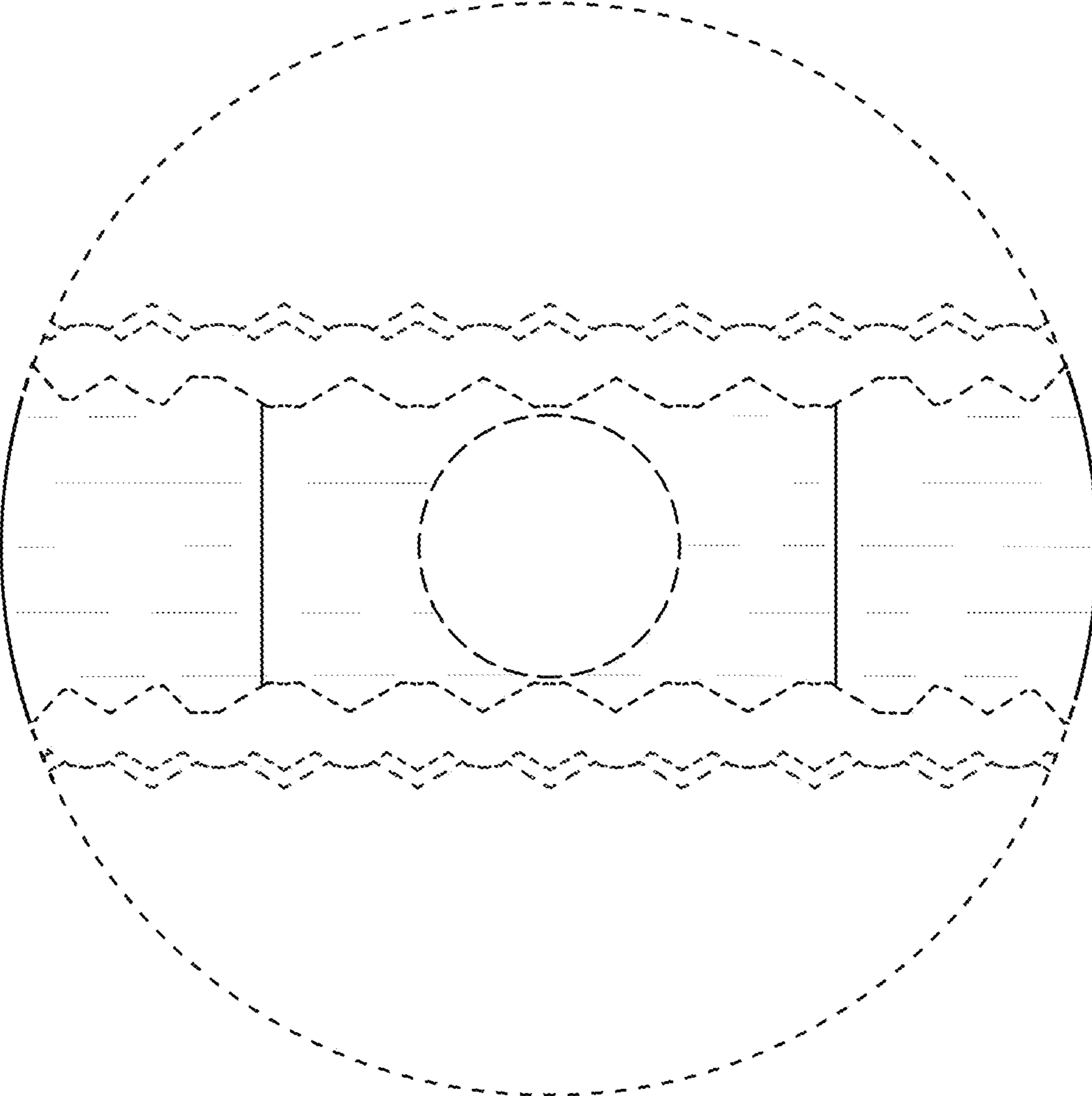


FIG. 7