



US00D952146S

(12) **United States Design Patent**
Moleda

(10) **Patent No.:** **US D952,146 S**

(45) **Date of Patent:** **** May 17, 2022**

(54) **SAFETY LANCET**

(71) Applicant: **Jaroslav Moleda**, Atlanta, GA (US)

(72) Inventor: **Jaroslav Moleda**, Atlanta, GA (US)

(73) Assignee: **MEDIVENA SP. Z O.O.**, Warsaw (PL)

(**) Term: **15 Years**

(21) Appl. No.: **29/740,687**

(22) Filed: **Jul. 7, 2020**

(51) **LOC (13) Cl.** **24-02**

(52) **U.S. Cl.**
USPC **D24/146**

(58) **Field of Classification Search**

USPC D28/57, 59, 62; D4/104, 120, 137, 138,
D4/100, 108, 111; D8/90-94, 107, 300,
D8/310-311, 313, 97; D24/146-147,
D24/10.5, 107, 110, 112-118, 121, 127,
D24/130, 133, 148, 152, 172-174,
D24/176-178; D19/110, 115; D7/649
CPC A61B 17/089; A61B 17/1617; A61B
17/3211; A61B 17/3417; A61B 5/1411;
A61H 39/08; A61M 2025/0246; A61M
16/04; A61M 16/0463; A61M 16/0486;
A61M 16/0484; A61M 25/0009; A61M
25/007; A61M 25/02; A61M 25/09033;
A61M 5/3286; A61M 5/343; B26B 3/00;
B26B 1/10; B26B 5/005

See application file for complete search history.

(56) **References Cited**

U.S. PATENT DOCUMENTS

4,676,244 A 6/1987 Enstrom
6,251,112 B1 * 6/2001 Jackson A61B 17/7032
606/270
D532,517 S * 11/2006 Wilkinson D24/146
D538,934 S * 3/2007 Wilkinson D24/146
D567,944 S 4/2008 Sarna

D569,975 S * 5/2008 Wilkinson D24/146
D592,307 S 5/2009 Curry et al.
D645,147 S * 9/2011 Ruf D24/147
D645,148 S * 9/2011 Ruf D24/147
D651,713 S * 1/2012 Shi D24/147
D673,679 S 1/2013 Hong
8,906,055 B2 * 12/2014 Karbowniczek ... A61B 5/15144
606/182

(Continued)

OTHER PUBLICATIONS

Medivena One-Care® Plus Safety Lancet, Contact-Activated, one-care.com, [online], [site visited Sep. 2, 2021], Available from internet URL: <https://www.one-care.com/store/plussafetylancets> (Year: 2021).*

(Continued)

Primary Examiner — Samantha Q Lawrence

Assistant Examiner — Holly M Rodriguez

(74) *Attorney, Agent, or Firm* — LegalForce RAPC
Worldwide

(57) **CLAIM**

The ornamental design for a safety lancet, as shown and described.

DESCRIPTION

FIG. 1 is a front top-right side perspective view for a safety lancet, showing my new design;

FIG. 2 is a rear bottom-left side perspective view of FIG. 1 thereof;

FIG. 3 is a front elevational view of FIG. 1 thereof, the rear elevational view being a mirror image;

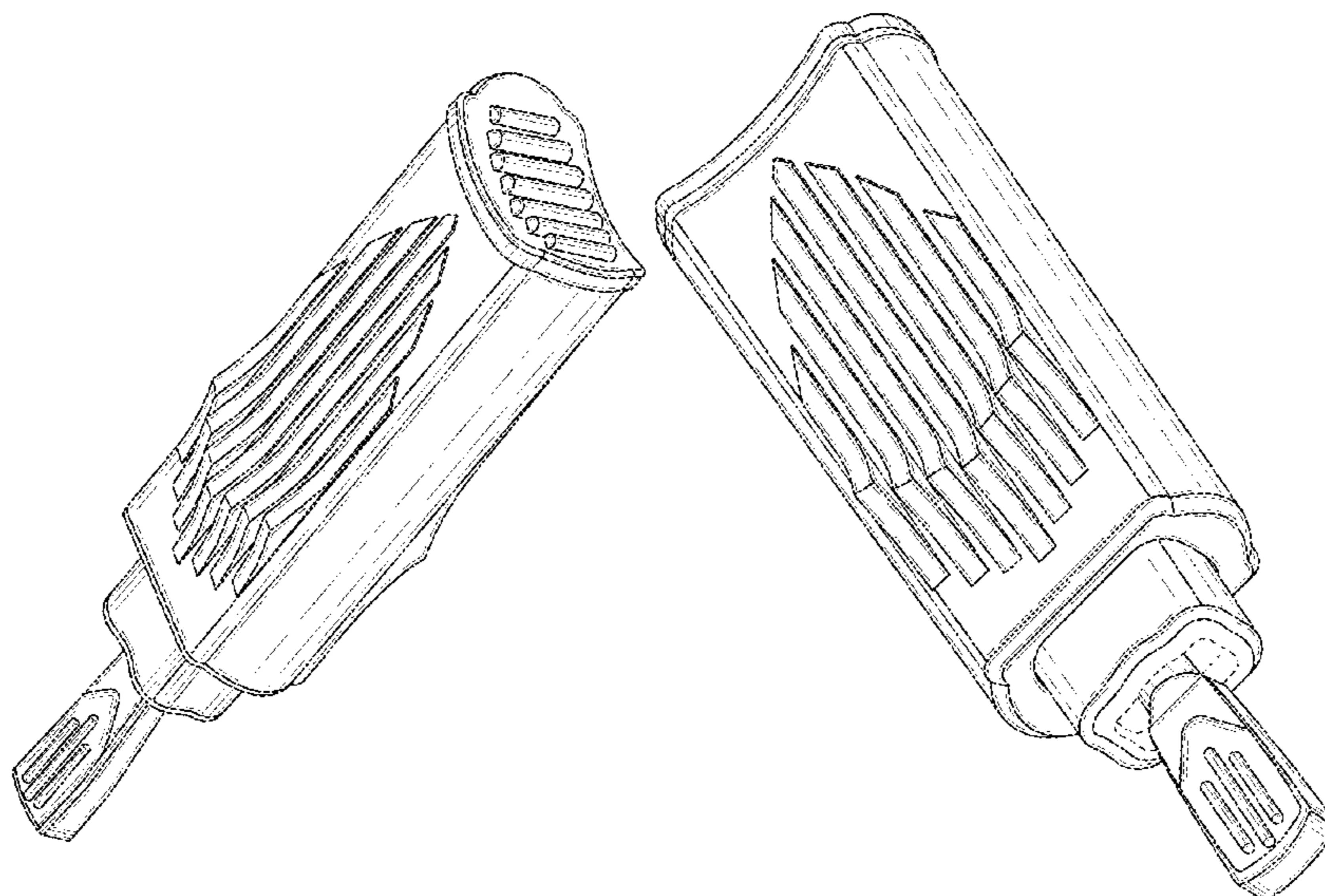
FIG. 4 is a left side elevational view of FIG. 1 thereof, the right-side elevational view being a mirror image;

FIG. 5 is a top plan view of FIG. 1 thereof; and,

FIG. 6 is a bottom plan view of FIG. 1 thereof.

The broken lines indicate unclaimed portions of the safety lancet and form no part of the claimed design.

1 Claim, 6 Drawing Sheets



(56)

References Cited

U.S. PATENT DOCUMENTS

9,066,688	B2 *	6/2015	Karbowniczek	A61B 5/150022
D742,005	S *	10/2015	Komuda	D24/146
D745,675	S *	12/2015	Jankowski	D24/146
D746,458	S	12/2015	Imori et al.	
D749,724	S	2/2016	Shi	
D794,790	S	8/2017	Shi	
9,743,876	B2 *	8/2017	Gelfand	A61B 5/150022
D833,285	S *	11/2018	Wilkins	D9/542
2006/0052809	A1 *	3/2006	Karbowniczek	A61B 5/150412
				606/181
2012/0123459	A1 *	5/2012	Ruf	A61B 5/150259
				606/182

OTHER PUBLICATIONS

MediVena ONE-CARE Plus Safety Lancets, Contact-Activated, Comfort Micro Needle 30G×1.5mm, Box of 100, first available Apr. 1, 2020 amazon.com, [online], [site visited Sep. 2, 2021], Available from internet URL: <https://www.amazon.com/MediVena-ONE-CARE-Lancets-Contact-Activated-Comfort/dp/B086P71J1Q> (Year: 2020).*

Arkray 980225 SAFETY Lancet Assure Lance, first available Mar. 23, 2016amazon.com, [online], [site visited Sep. 3, 2021], Available from internet URL: https://www.amazon.com/Arkray-980225-SAFETY-Lancet-Assure/dp/B01DEEMM86/ref=pd_di_sccai_54/131-4543789-4001142?pd_rd_w=6FBHz&pf_%E2%80%A6 (Year: 2016).*

U.S. Trademark Serial No. 88739245; Mark—Medivena Inspired by Innovation Filing date: Dec. 26, 2019 Publication date: Jun. 23, 2020.

U.S. Trademark Serial No. 88267775; Mark—One-Care Filing date: Jan. 18, 2019 Publication date: May 14, 2019.

U.S. Trademark Serial No. 88739243; Mark—Medi-Fine Filing date: Dec. 26, 2019 Publication date: May 5, 2020.

U.S. Trademark Serial No. 88793876; Mark—Gluko-Care Filing date: Feb. 12, 2020.

“One-Care Safety Lancets” by Medivena Inspired by Innovation, Found Online on Jul. 23, 2020 <https://static1.squarespace.com/static/5c2e33d43917eeb9b98da746/t/5e9b8c69b304792a5806bebf/158725233736/ONE-CARE%E2%84%A2+Safety+Lancets+vf.pdf>.

“One-Care Plus Safety Lancet Contact-Activated” by Medivena Inspired by Innovation, Found Online on Jul. 23, 2020 <https://static1.squarespace.com/static/5c2e33d43917eeb9b98da746/t/5e9cf1bdf493453494dfa747/1587343815698/Brochure+ref1004.pdf>.

“Safety Lancet” by VP Healthcare, Found Online on May 28, 2020 <https://5.imimg.com/data5/FF/TD/MY-43879850/safety-lancet-500x500.png>.

“Safety Lancets” by Capiject, Found Online on May 28, 2020 <https://rb.gy/aibiht>.

“Safety Lancets” by Medline Industries, Found Online on May 28, 2020 <https://cdn.webareacontrol.com/prodimages/470-X-470/1/s/1172017586Medline-Safety-Lancets-P.png>.

“Medlance Plus Special Safety Lancet” by HTL-STREFA, Found Online on Jul. 23, 2020 <https://media-prod-use-1.miraki.net/SOURCE/0468928dcc654c2782e7819ad1a48aa0>.

“366593 Microtainer Contact-Activated Lancet” by BD Medical Systems, Found Online on Jul. 23, 2020 https://images-na.ssl-images-amazon.com/images/I/41UGb2sUUvL._SL1000_.jpg.

“Lance Pius Safety Lancets”, by Assure, Found Online on Jul. 23, 2020 <https://www.pocketnurse.com/media/catalog/product/cache/732bb65516f08b6978c23ab82b950117/0/2/02-38-0130.jpg>.

“Acti-Lance Push Button Safety Lancets”, by HTL-STREFA, Found Online on Jul. 23, 2020 <https://www.quickmedical.com/images/sku/large/52624.jpg>.

* cited by examiner

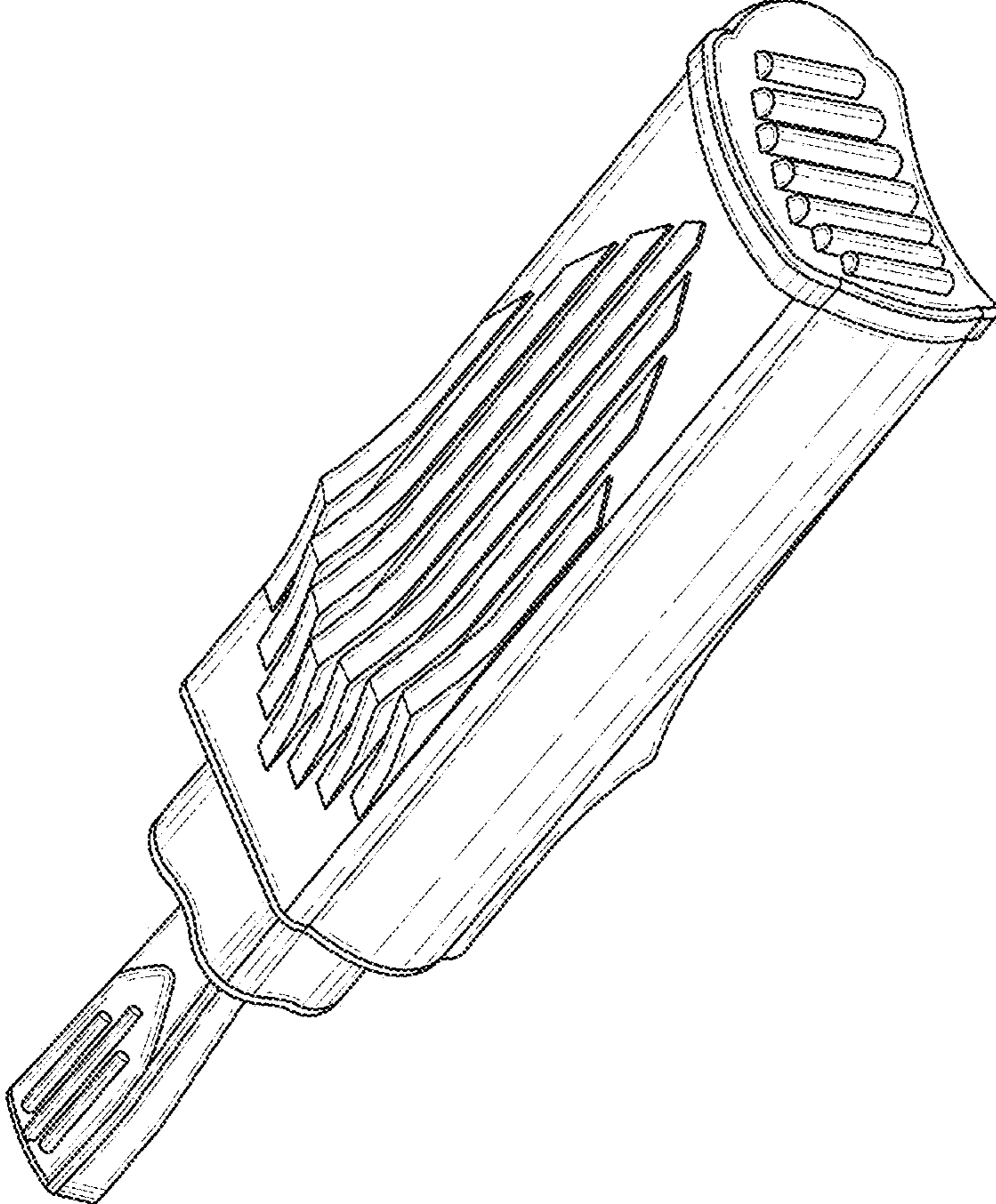


FIG. 1

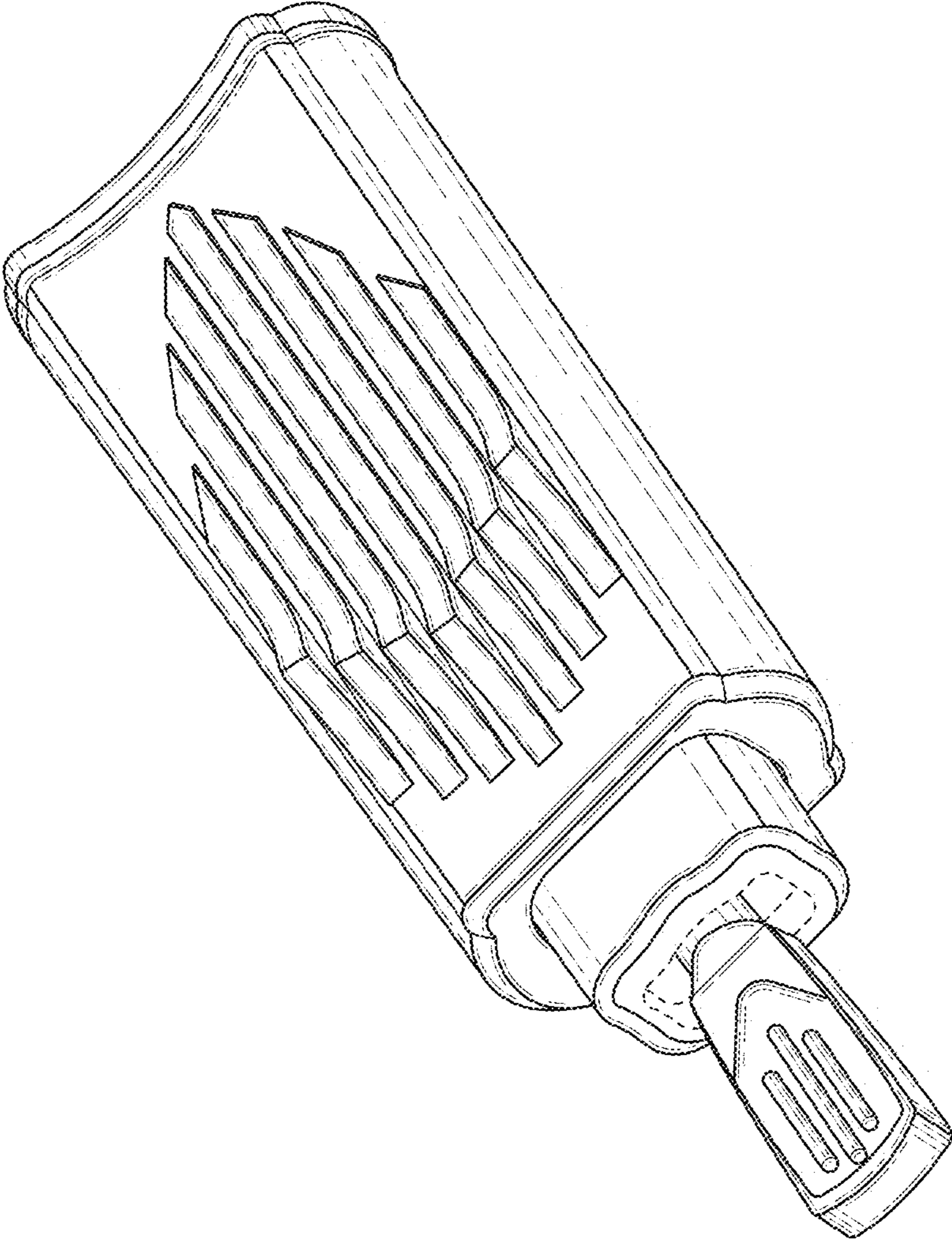


FIG. 2

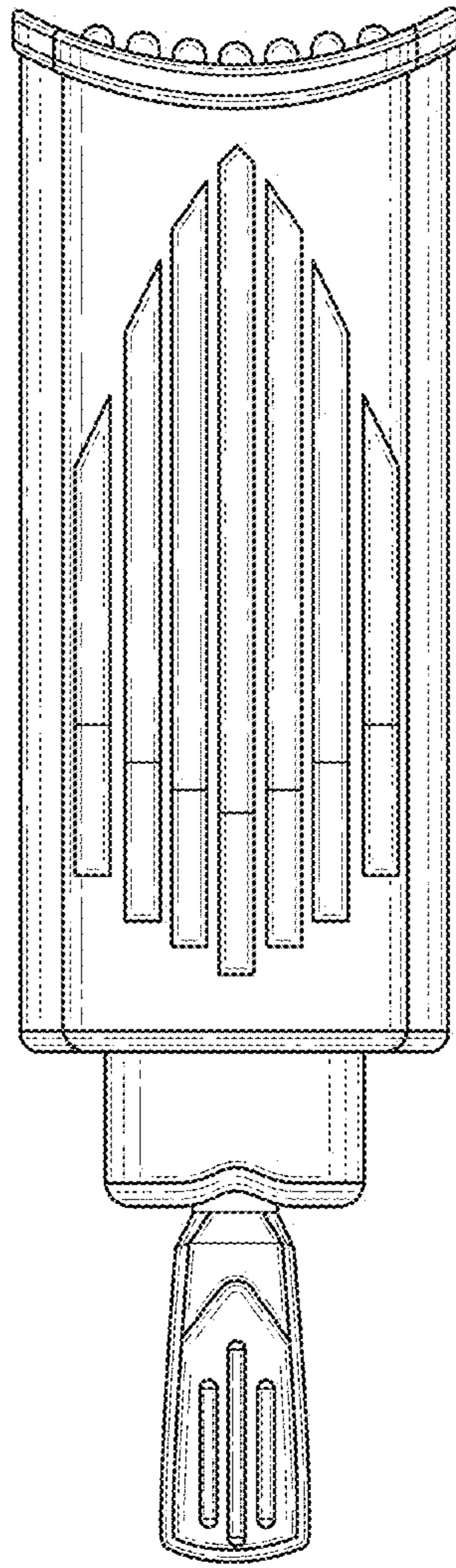


FIG. 3

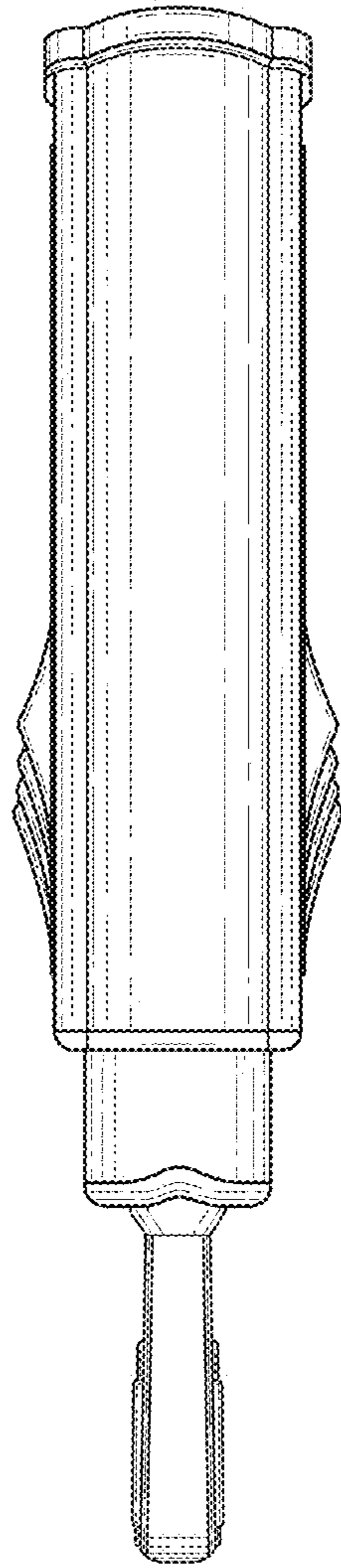


FIG. 4

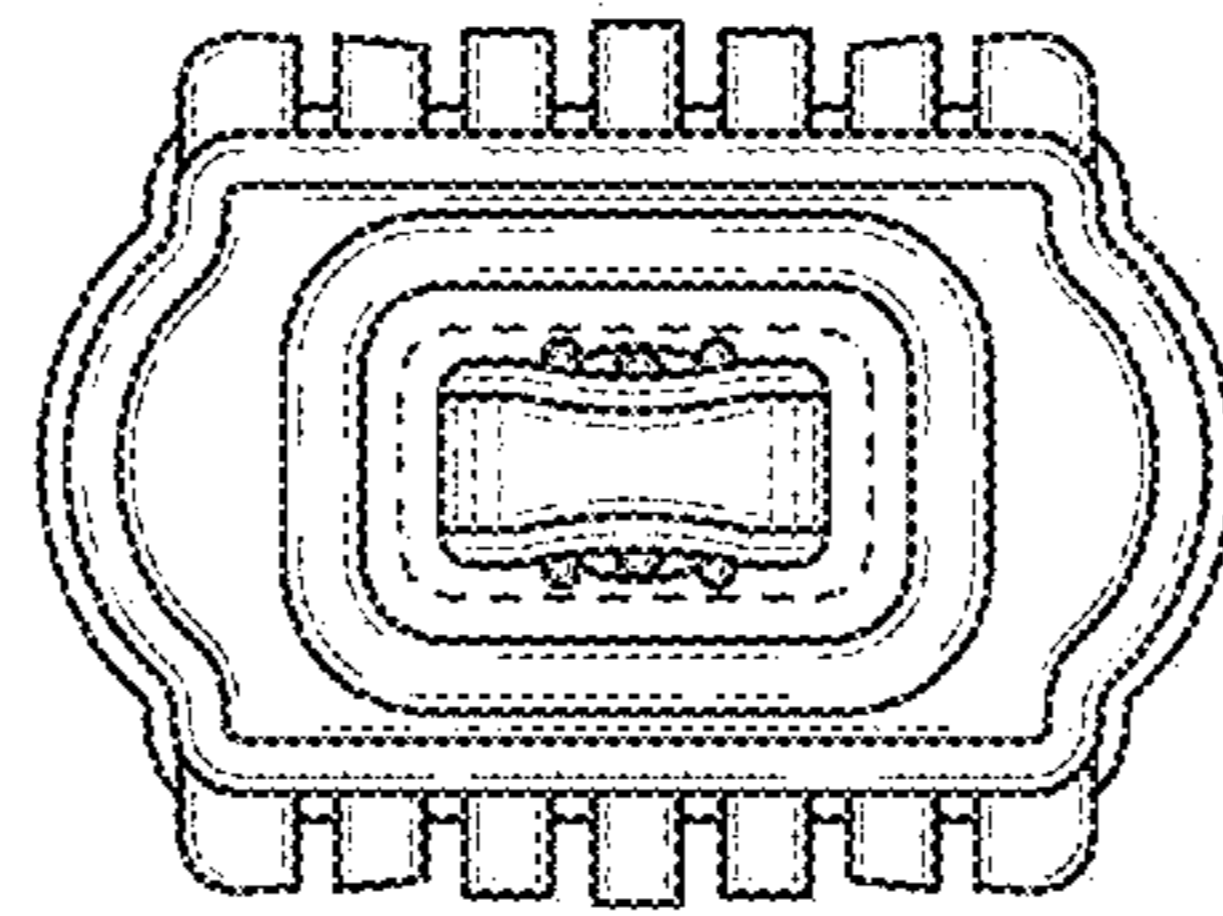


FIG. 5

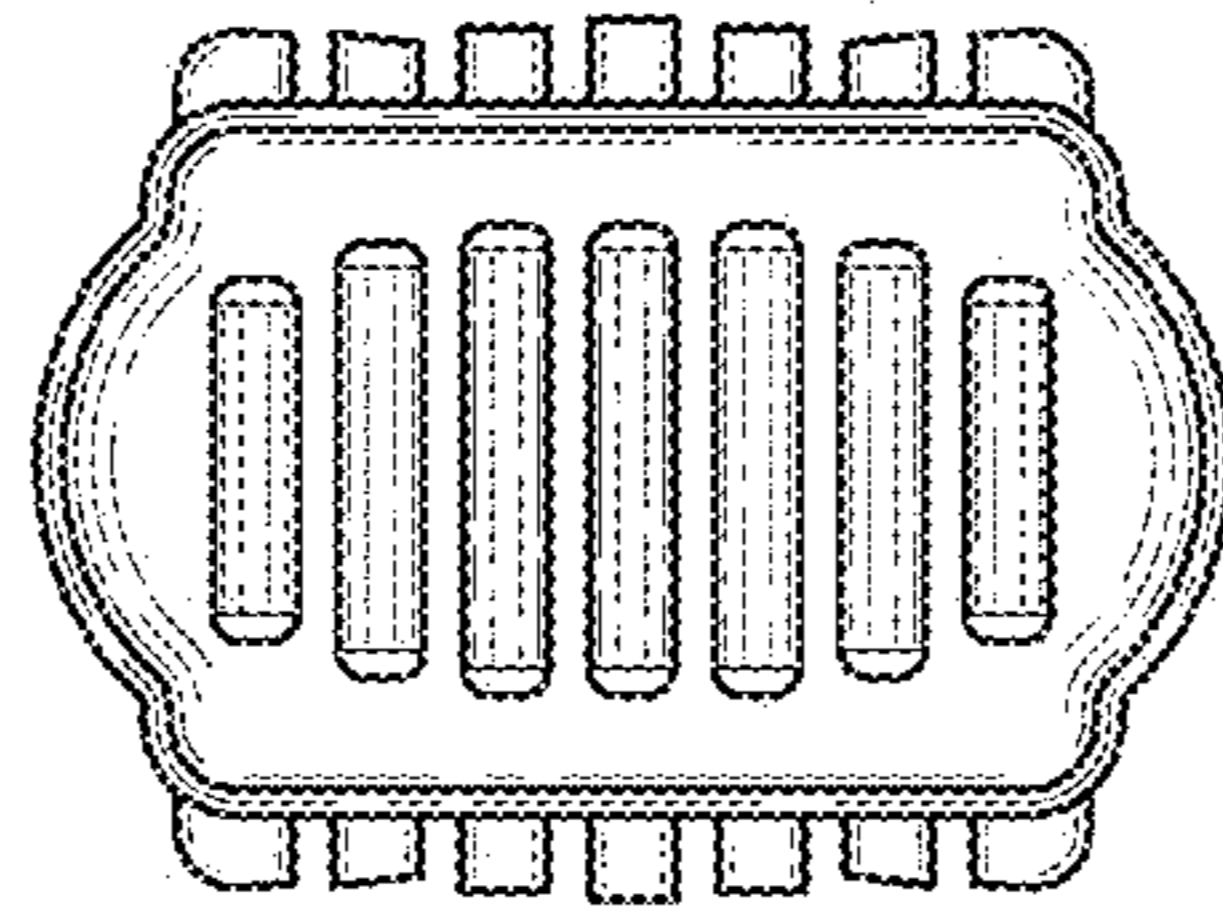


FIG. 6