



US00D952142S

(12) **United States Design Patent** (10) **Patent No.:** **US D952,142 S**  
**Hernandez et al.** (45) **Date of Patent:** **\*\* May 17, 2022**

(54) **CLEANING ADAPTER**

FOREIGN PATENT DOCUMENTS

(71) Applicant: **Medivators Inc.**, Plymouth, MN (US)

EM 000279039-0004 3/2005  
EP 0055394 A1 7/1982

(72) Inventors: **Cesar E. Hernandez**, Conroe, TX (US); **John Wayne Miller**, Magnolia, TX (US); **Travis Bendele**, Montgomery, TX (US); **Joshua Lee Ronan**, Willis, TX (US)

(Continued)

OTHER PUBLICATIONS

(73) Assignee: **Medivators Inc.**, Minneapolis, MN (US)

Olympus America, Inc., "Endoscope Channel Guide," p. 1 of 1, published 2003.

(Continued)

(\*\*) Term: **15 Years**

*Primary Examiner* — Eliza Z Bennett-Hattan

(74) *Attorney, Agent, or Firm* — Sorell, Lenna & Schmidt, LLP; William D. Schmidt, Esq.

(21) Appl. No.: **29/648,397**

(57) **CLAIM**

The ornamental design for a cleaning adapter, as shown and described.

(22) Filed: **May 21, 2018**

(51) **LOC (13) Cl.** ..... **24-02**

**DESCRIPTION**

(52) **U.S. Cl.**

USPC ..... **D24/138**

(58) **Field of Classification Search**

USPC ..... D24/129, 110, 110.6, 155, 137, 138; D23/233, 421

CPC . A61B 1/015; A61B 1/00064; A61B 1/00068; A61B 1/00103; A61B 1/0011; A61B 1/00105

See application file for complete search history.

FIG. 1 is a perspective view of a cleaning adapter; FIG. 2 is a front view of the cleaning adapter; FIG. 3 is a back view of the cleaning adapter; FIG. 4 is a side view of the cleaning adapter; FIG. 5 is a side view of the cleaning adapter; FIG. 6 is a top view of the cleaning adapter; FIG. 7 is a bottom view of the cleaning adapter; FIG. 8 is a front cross sectional view of the cleaning adapter; FIG. 9 is a perspective view of the cleaning adapter; FIG. 10 is a front view of the cleaning adapter; FIG. 11 is a back view of the cleaning adapter; FIG. 12 is a side view of the cleaning adapter; FIG. 13 is a side view of the cleaning adapter; FIG. 14 is a top view of the cleaning adapter; FIG. 15 is a bottom view of the cleaning adapter; and, FIG. 16 is a front cross sectional view of the cleaning adapter.

The broken lines in the figures are for illustrative purposes and form no part of the claimed design.

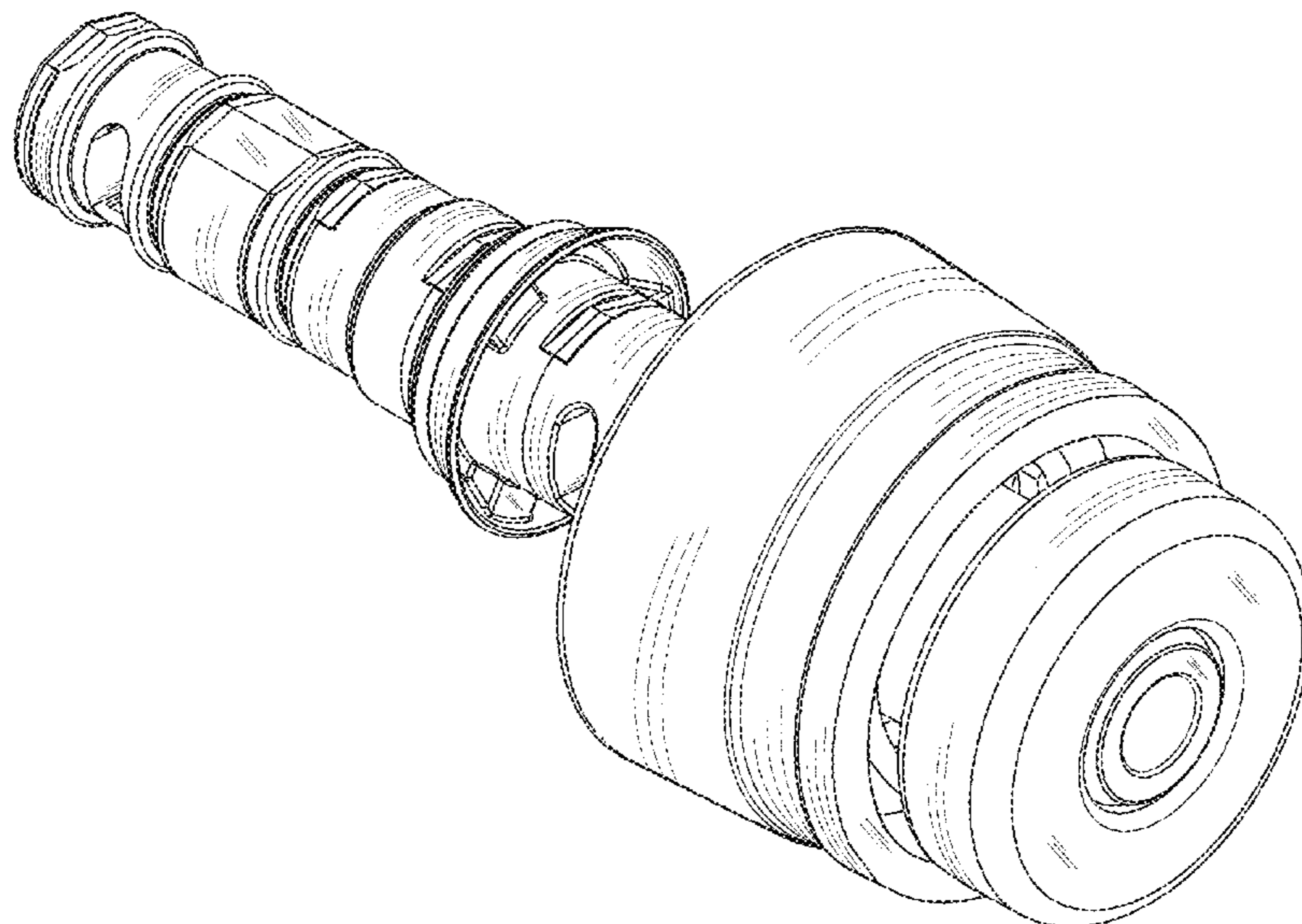
(56) **References Cited**

U.S. PATENT DOCUMENTS

3,958,566 A 5/1976 Furihata  
4,261,343 A 4/1981 Ouchi et al.  
4,325,362 A 4/1982 Ouchi et al.  
4,361,138 A 11/1982 Kinoshita  
4,402,310 A 9/1983 Kimura  
4,412,531 A 11/1983 Chikashige  
4,561,428 A 12/1985 Konomura  
4,800,869 A 1/1989 Nakajima

(Continued)

**1 Claim, 10 Drawing Sheets**



(56)

References Cited

U.S. PATENT DOCUMENTS

D300,361 S 3/1989 Tokarz  
 4,844,052 A 7/1989 Iwakoshi et al.  
 4,852,551 A 8/1989 Opie et al.  
 4,900,305 A 2/1990 Smith  
 4,982,726 A 1/1991 Taira  
 5,133,336 A 7/1992 Savitt et al.  
 5,386,817 A 2/1995 Jones  
 5,391,145 A 2/1995 Dorsey, III  
 5,522,796 A 6/1996 Dorsey, III  
 5,840,016 A 11/1998 Kitanao et al.  
 5,871,441 A 2/1999 Ishiguro et al.  
 5,873,626 A 2/1999 Katz  
 5,876,326 A 3/1999 Takamura et al.  
 6,095,971 A 8/2000 Takahashi  
 D432,230 S 10/2000 Utas  
 6,132,369 A 10/2000 Takahashi  
 6,286,179 B1 9/2001 Byrne  
 6,334,844 B1 1/2002 Akiba  
 6,346,075 B1 2/2002 Arai et al.  
 6,358,224 B1 3/2002 Tims et al.  
 6,383,132 B1 5/2002 Wimmer  
 D473,646 S 4/2003 Baillargeon  
 D473,941 S 4/2003 Cise et al.  
 6,786,865 B2 9/2004 Dhindsa  
 6,849,043 B2 2/2005 Kondo  
 6,908,429 B2 6/2005 Heimberger  
 6,984,204 B2 1/2006 Akiba  
 7,220,226 B2 5/2007 Rovegno  
 D546,946 S 7/2007 Blake et al.  
 D565,731 S 4/2008 Eisenkolb et al.  
 7,481,764 B2 1/2009 Soutorine et al.  
 D624,646 S 9/2010 Peschke et al.  
 7,901,350 B2 3/2011 Yamazaki  
 D644,731 S 9/2011 Fangrow, Jr.  
 8,241,208 B2 8/2012 Jiang et al.  
 8,267,102 B2 9/2012 Onishi et al.  
 8,568,303 B2 10/2013 Yamane  
 8,821,389 B2 9/2014 Yamane  
 D717,432 S \* 11/2014 Leroy ..... D24/138  
 9,125,550 B2 9/2015 Shener-Lrmakoglu et al.  
 9,144,374 B2 9/2015 Maurice, Jr.  
 9,161,680 B2 10/2015 Bellofatto et al.  
 D750,235 S 2/2016 Maurice  
 9,247,862 B2 2/2016 Shen et al.  
 9,307,890 B2 4/2016 Ouchi  
 D757,259 S 5/2016 Duck et al.  
 D761,420 S 7/2016 Hayamizu  
 9,398,842 B2 7/2016 Furuta  
 9,408,523 B2 8/2016 Grudo et al.  
 9,414,742 B2 8/2016 Sato  
 D771,806 S 11/2016 Steele  
 9,492,066 B2 11/2016 Iwasaki  
 9,585,545 B2 3/2017 Anderson et al.  
 2003/0181905 A1 9/2003 Long  
 2004/0238014 A1 12/2004 Halstead et al.  
 2006/0041190 A1 2/2006 Sato  
 2006/0100485 A1 5/2006 Arai et al.  
 2006/0116552 A1 6/2006 Noguchi et al.  
 2006/0135851 A1 \* 6/2006 Yamazaki ..... A61B 1/00137  
 600/159  
 2006/0276689 A1 12/2006 Litscher et al.  
 2007/0179432 A1 8/2007 Bar Or et al.  
 2010/0240956 A1 9/2010 Secrest et al.  
 2011/0298169 A1 12/2011 Nguyen et al.  
 2012/0088975 A1 4/2012 Morimoto  
 2012/0091092 A1 4/2012 Adams et al.  
 2013/0303844 A1 11/2013 Grudo et al.  
 2013/0338442 A1 12/2013 Anderson et al.  
 2015/0144215 A1 \* 5/2015 Bellofatto ..... A61B 1/0011  
 137/625.69  
 2015/0148608 A1 \* 5/2015 Fukushima ..... A61B 1/00094  
 600/116  
 2016/0058518 A1 3/2016 Mason  
 2016/0081538 A1 3/2016 Rebholz et al.  
 2016/0120395 A1 5/2016 Qi

2016/0143516 A1 5/2016 Xu et al.  
 2016/0227984 A1 8/2016 Hatano  
 2016/0309987 A1 10/2016 Grudo et al.  
 2016/0331214 A1 11/2016 Fujitani et al.  
 2016/0338577 A1 11/2016 Viebach et al.  
 2017/0347860 A1 12/2017 Still et al.  
 2020/0016637 A1 \* 1/2020 Still ..... A61B 1/00128  
 2021/0204797 A1 \* 7/2021 Hernandez ..... G02B 27/0006

FOREIGN PATENT DOCUMENTS

EP 0055394 3/1985  
 EP 1099393 A1 5/2001  
 ES 2237050 T3 7/2005  
 GB 0715224 9/2007  
 JP 58-010031 A 1/1983  
 JP S5810031 A 1/1983  
 JP S61-124602 A 8/1986  
 JP S62-133929 A 6/1987  
 JP 62-189041 A 8/1987  
 JP S62189041 A 8/1987  
 JP H8-215137 A 2/1995  
 JP H0739512 A 2/1995  
 JP H08215137 A 8/1996  
 JP 08-266461 A 10/1996  
 JP H08266461 A 10/1996  
 JP 09-122069 A 5/1997  
 JP H09122069 A 5/1997  
 JP 1998-248791 A 9/1998  
 JP H10-24879 A 9/1998  
 JP H10248791 A 9/1998  
 JP 2000217777 A 8/2000  
 JP 2002-306405 A 10/2002  
 JP 2002306405 A 10/2002  
 JP 2003-310542 A 5/2003  
 JP 2003310542 A 11/2003  
 JP 2004-169805 A 6/2004  
 JP 3599093 B2 12/2004  
 JP S3651982 B2 5/2005  
 JP 2005261512 A 9/2005  
 JP 2006-55447 A 2/2006  
 JP 2006-175175 A 7/2006  
 JP 2007-185276 A 7/2007  
 JP 2007185276 A 7/2007  
 JP 2004223121 A 8/2007  
 JP 4242142 B 3/2009  
 JP 4583915 B2 11/2010  
 JP 4589315 B 11/2010  
 WO 2009-016352 A2 2/2009

OTHER PUBLICATIONS

Olympus Medical Systems Corp., "Olympus Evis Exera GIF/CF/PCF Type 160 Series Operation Manual," pp. 1-102, published 2003.  
 EU-IPO Community Registration Design No. 000279039-0004; Filed Jul. 1, 2005; Owner: Filtertek B.V.; from internet website: <https://euipo.europa.eu/eSearch/#basic/1+1+1+1/100+100+100+100/000279039-0004>.  
 Olympus Medical Systems Corp., "Olympus Evis Exera II Duodenovideoscope TJF Type Q180V Reprocessing Manual/Instructions," pp. 1-118, published 2015.  
 Olympus MH-948 Cleaning Adapter Endoscopy, Internet advertisement on Ebay, website visited Jan. 29, 2019; <https://www.ebay.com/p/Olympus-Mh-948-Endoscope-AW-Channel-Cleaning-Adapter/9021398174>.  
 Pentax Owner's Manual Pentax Video GI Scopes EG-290Kp, EC-380LKp, Nov. 2009.  
 Photos of Pentax OF-B120 Suction Control Valve, Pentax OF-B188 Air/Water Feeding Valve and Pentax OF-B121 Air/Water Valve, 2009.  
 Photos of Olympus Suction Valve MH-443 with parts separated, 2003.  
 Photos of Olympus Air/Water Valve MH-438 with parts separated, 2003.

(56)

**References Cited**

## OTHER PUBLICATIONS

Photo of Olympus suction valve MH-443 from internet website [www.partsfinder.com](http://www.partsfinder.com), website visited Jan. 8, 2019 at <https://www.partsfinder.com/parts/olympus-america-inc/MH443>.

Photo of Olympus air/water valve MH-438 from internet website [www.dotmed.com](http://www.dotmed.com), website visited Jan. 8, 2019 at <https://www.dotmed.com/listing/endoscope/olympus/mh-438/2101261>.

Supplementary Partial European Search Report of the European Patent Office dated Nov. 22, 2016 and mailed on Dec. 2, 2016 of European Patent Application No. EP 11 84 5027 filed on Nov. 30, 2011.

Supplementary European Search Report dated Apr. 25, 2017 and mailed May 9, 2017 of European Patent Application No. EP 11 84 5027 filed on Nov. 30, 2011.

European Search Report of the European Searching Authority dated Mar. 15, 2016 of European Patent Application No. EP 11 84 5986 filed Nov. 30, 2011.

Olympus Operation Manual, dated 2003, 102 pages, entire document.

Third party submission filed on Jul. 17, 2014 in U.S. Appl. No. 13/989,573 (filed Jul. 17, 2013).

Third party submission filed on Jul. 17, 2014 in U.S. Appl. No. 13/989,649 (filed Jul. 17, 2013).

International Search Report and Written Opinion by the International Searching Authority Filed in Application No. PCT/US2011/062594 dated Nov. 30, 2011 and mailed on Mar. 29, 2012.

Reprocessing Summary and Guide for Fujinon/Fujifilm Flexible GI Endoscopes. Fujifilm Medical Systems USA Inc. Endoscopy Division. Wayne, NJ. Feb. 2018.

Olympus Reprocessing Manual / Instructions. 2009 Olympus Medical Systems Corp.

Fujifilm Endoscopes EG-L590ZW, EC-L590ZW/L Operation Manual (Cleaning, Disinfection and Storage). 2013 Fujifilm Corp.

Fujifilm Endoscope EC-600WL Operation Manual (Preparation and Operation). Fujifilm Corp. Jan. 2018.

Fujinon Electronic Video Endoscopes EVE 530/590 Series Operation Manual (Cleaning, Disinfection and Storage). Fujinon Corporation. Jan. 2015.

Pentax Owner's Manual Video GI Scopes EG-290Kp, EC-380MKp, EC-380MK2p, EC-380FKp, EC-380FK2p, EC-380LKp. Pentax Corporation. Nov. 2009.

Pentax Instructions for Use. Pentax Video GI Scopes 901 Series. Pentax Corp. Mar. 2014.

5.1 Preparing the equipment for reprocessing. Chapter 5: Reprocessing the Endoscope (and related reprocessing accessories). Olympus EVIS EXERA II TJF Type Q180V Reprocessing Manual. 2009.

Photo of Fuji and Olympus endoscope valves. Feb. 2016.

\* cited by examiner

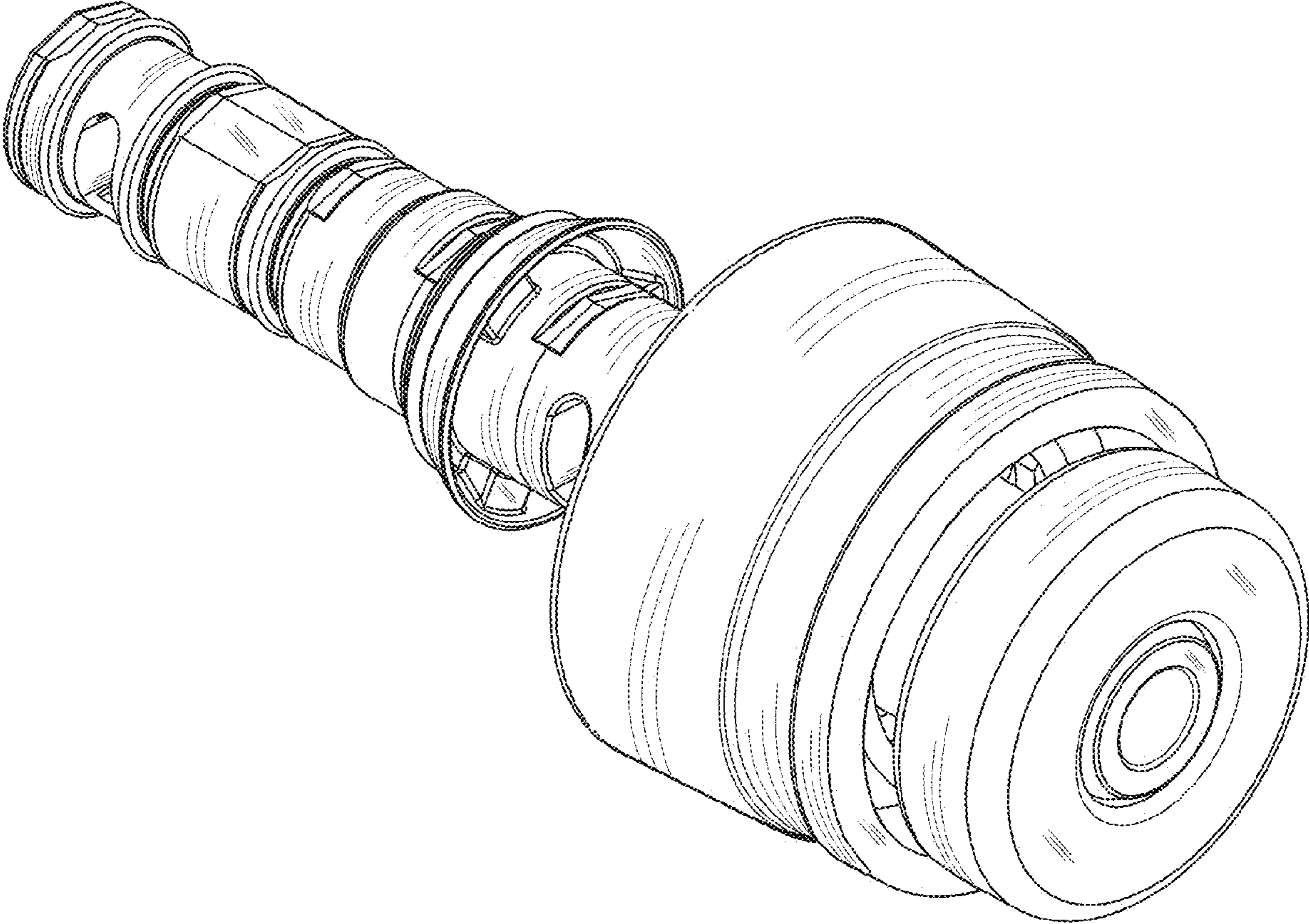


FIG. 1

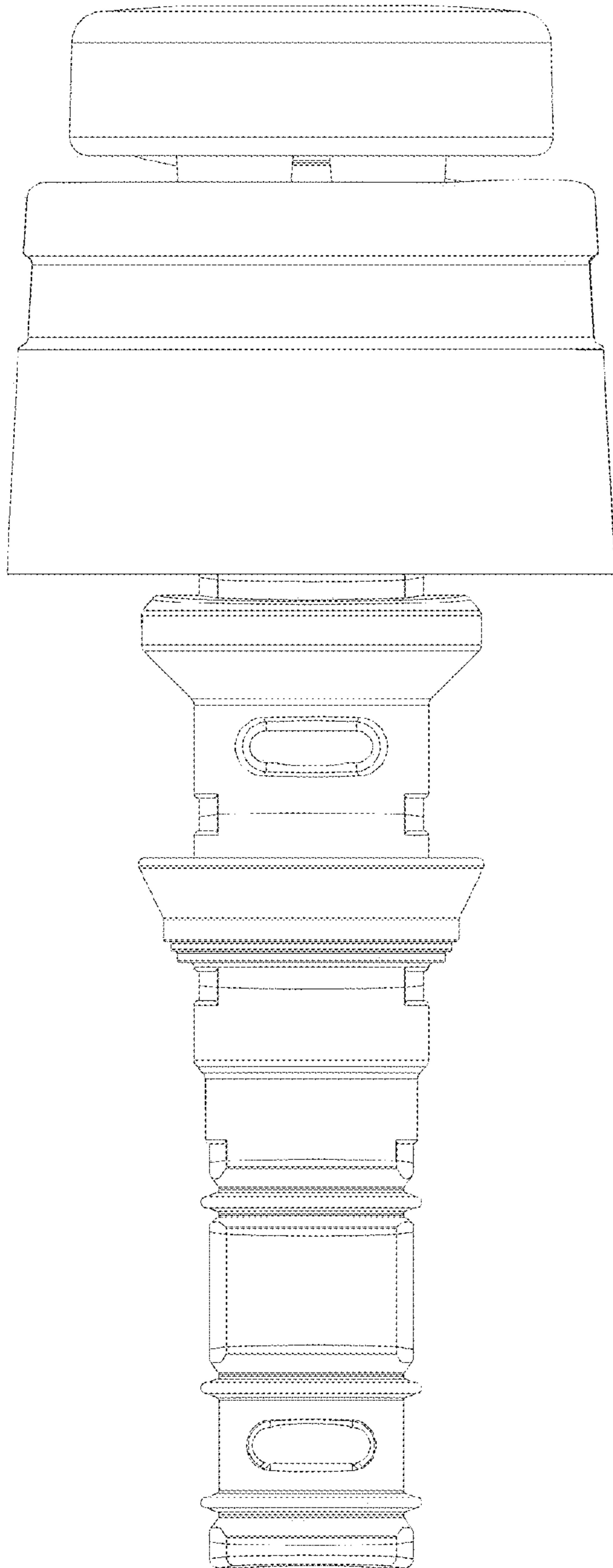


FIG. 2

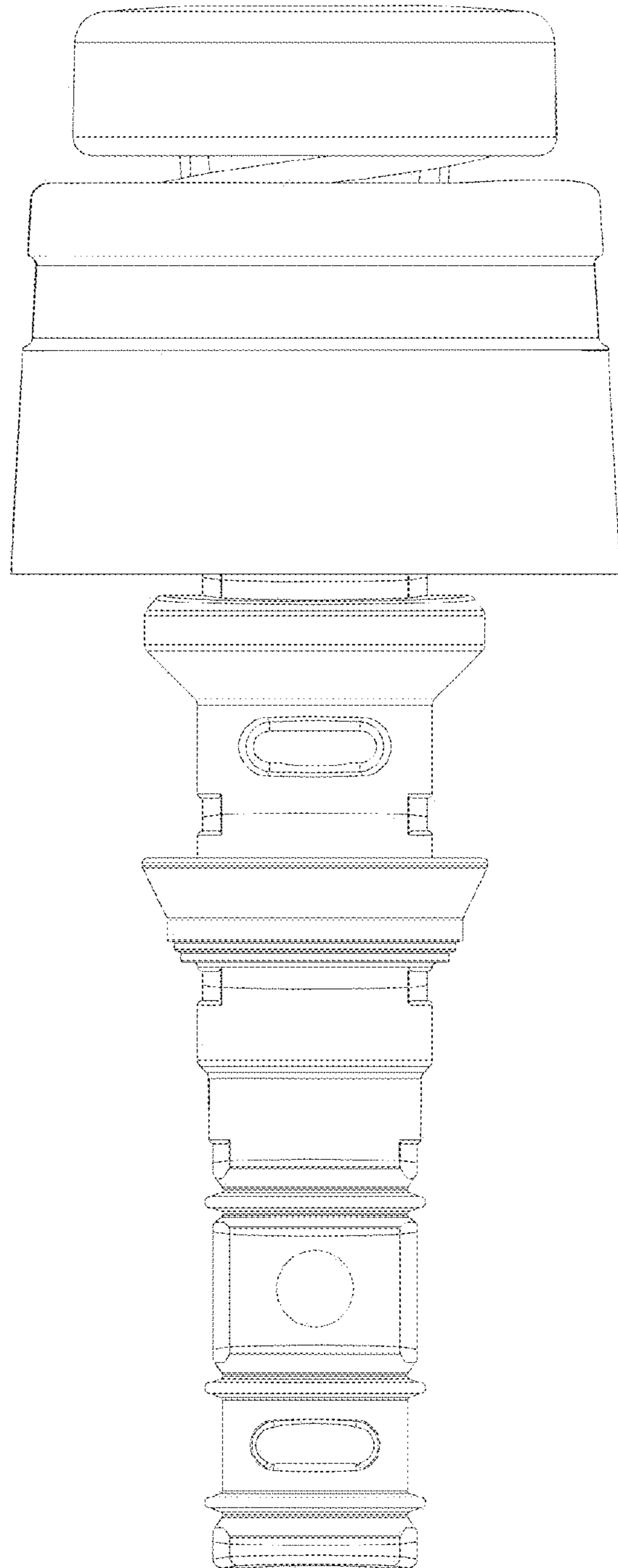


FIG. 3

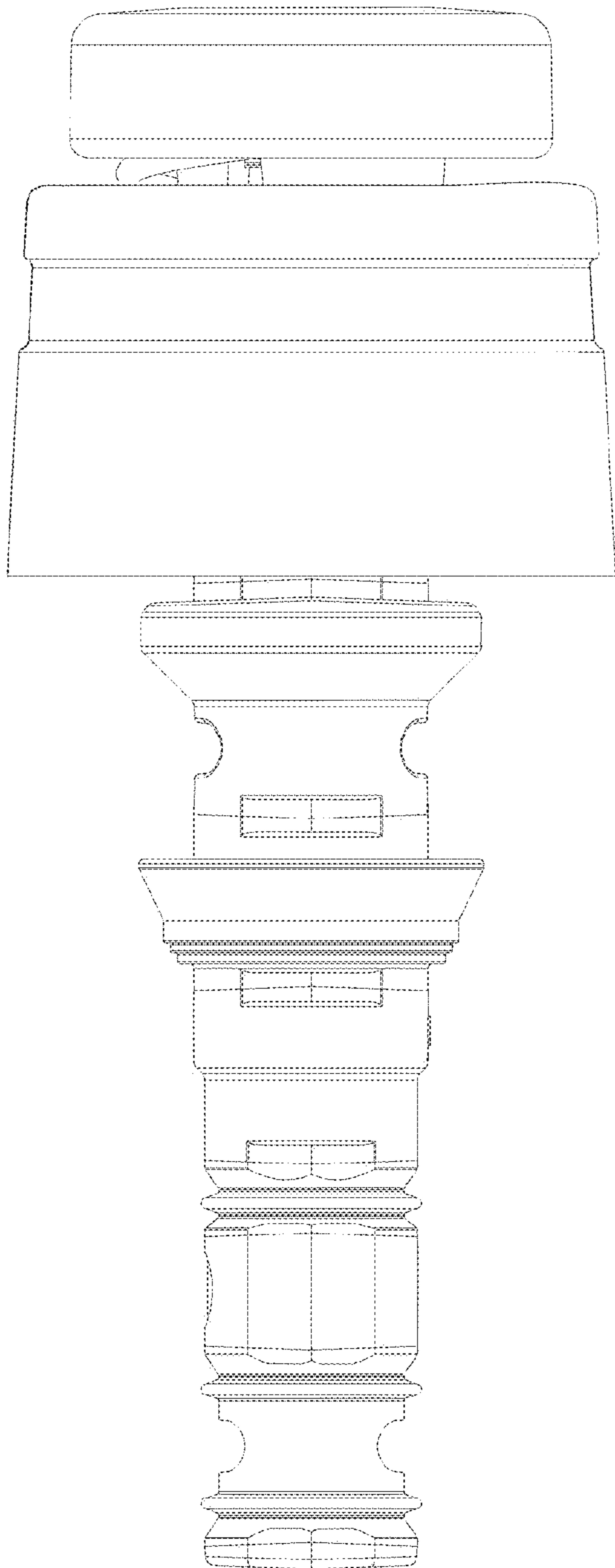


FIG. 4

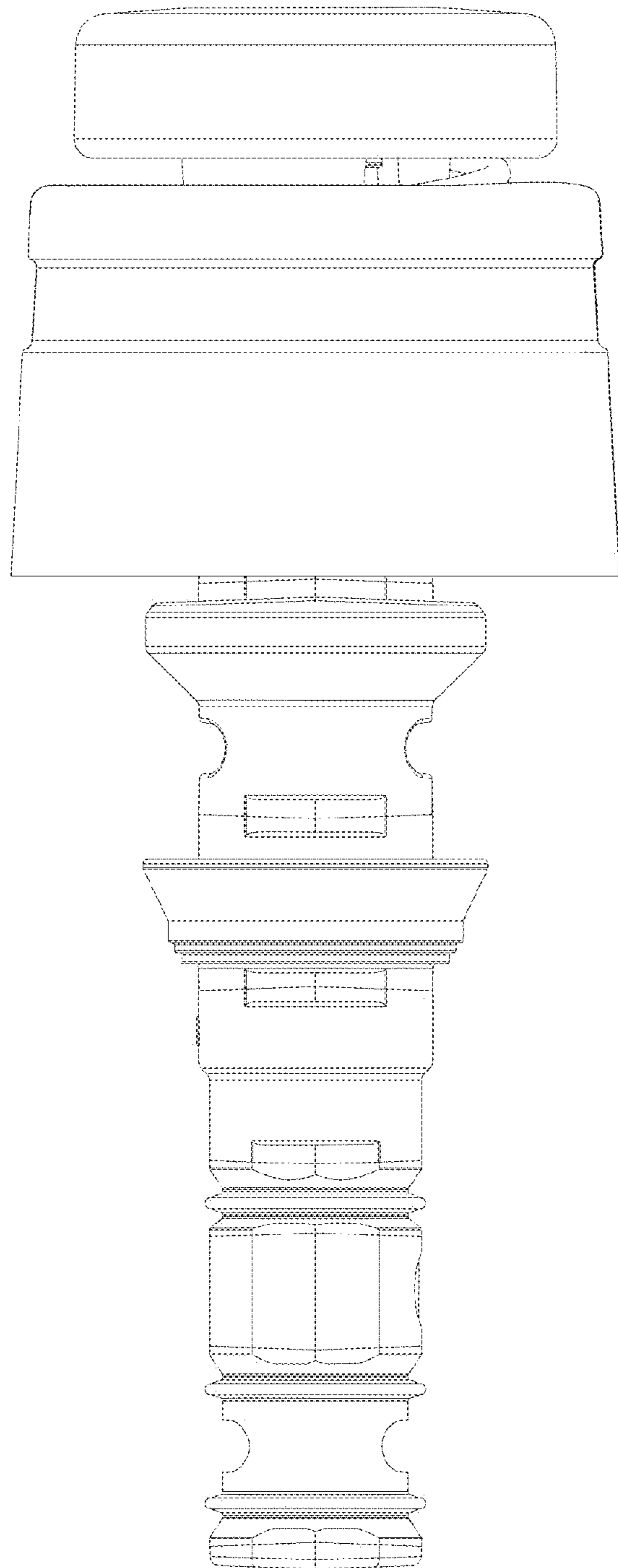
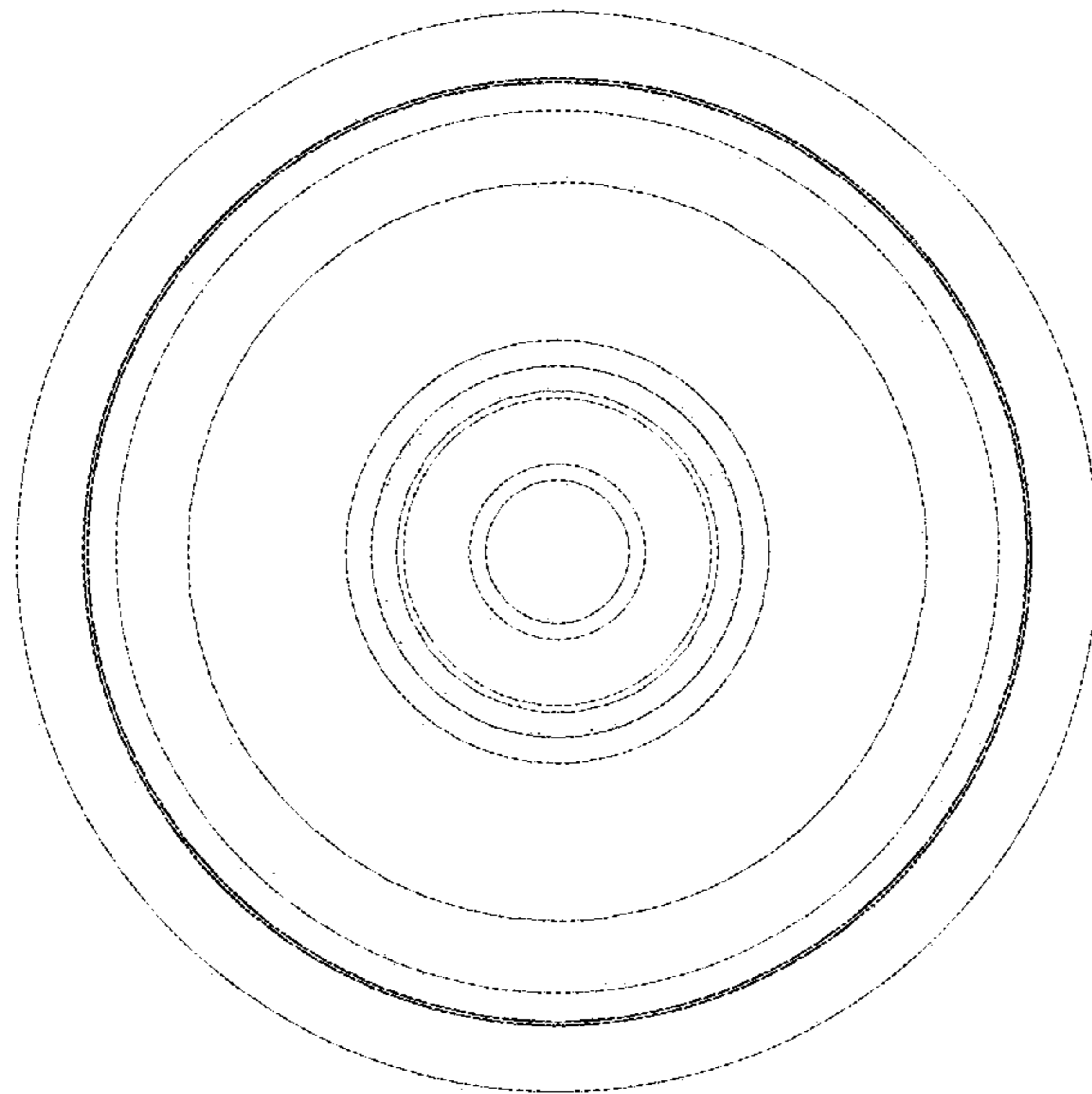
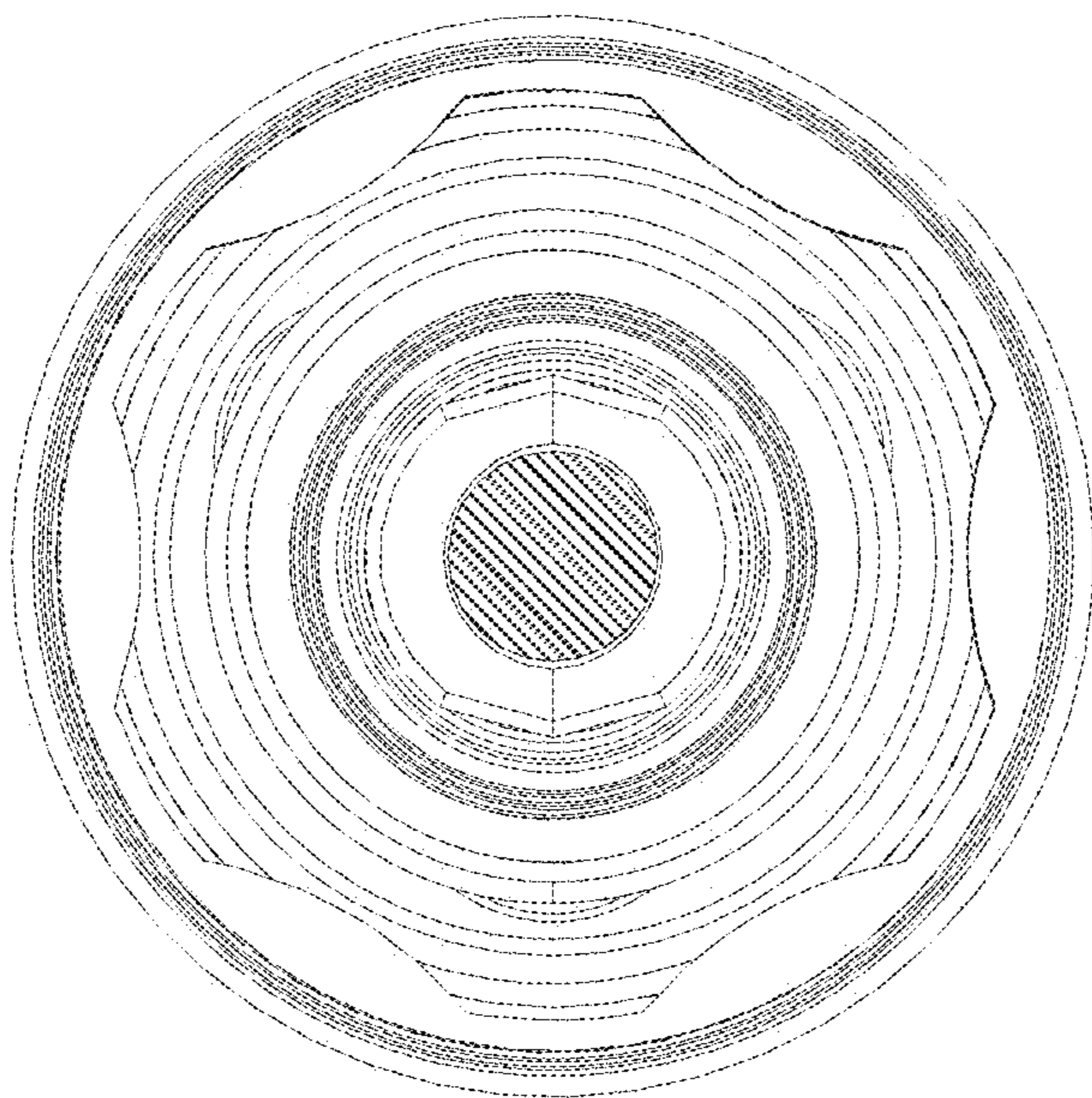


FIG. 5



**FIG. 6**



**FIG. 7**

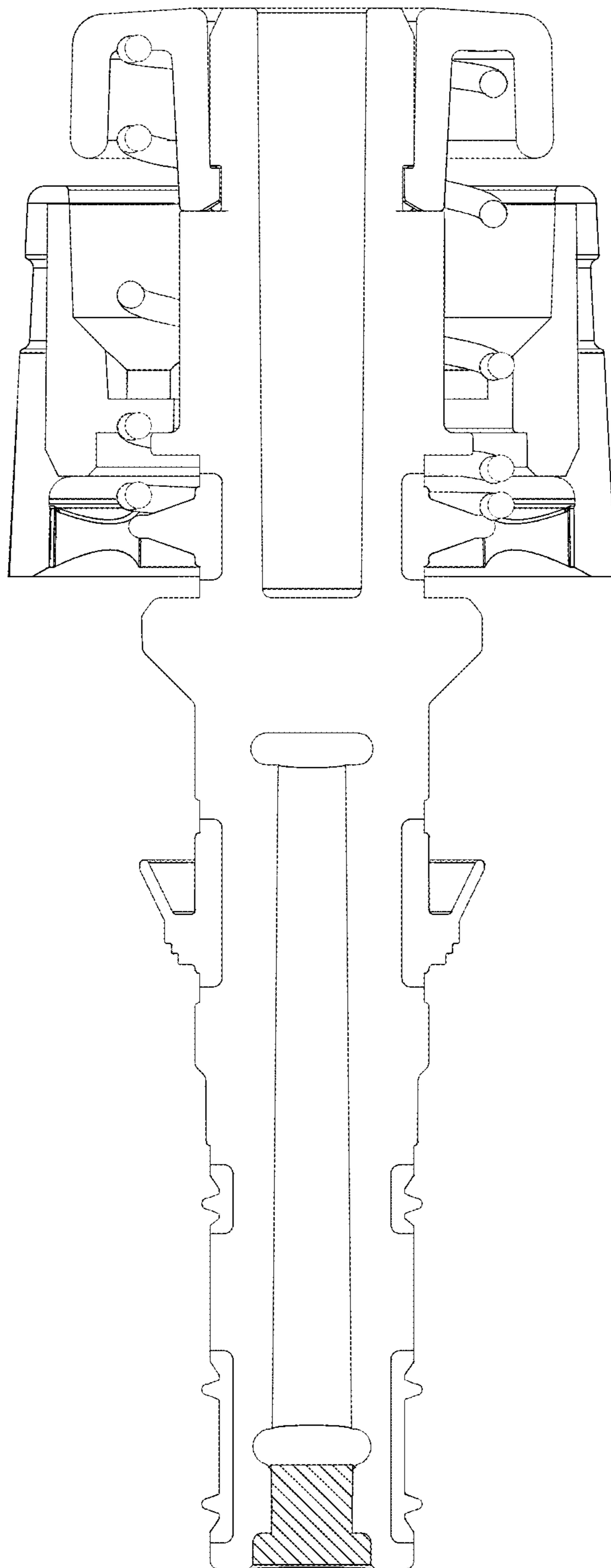
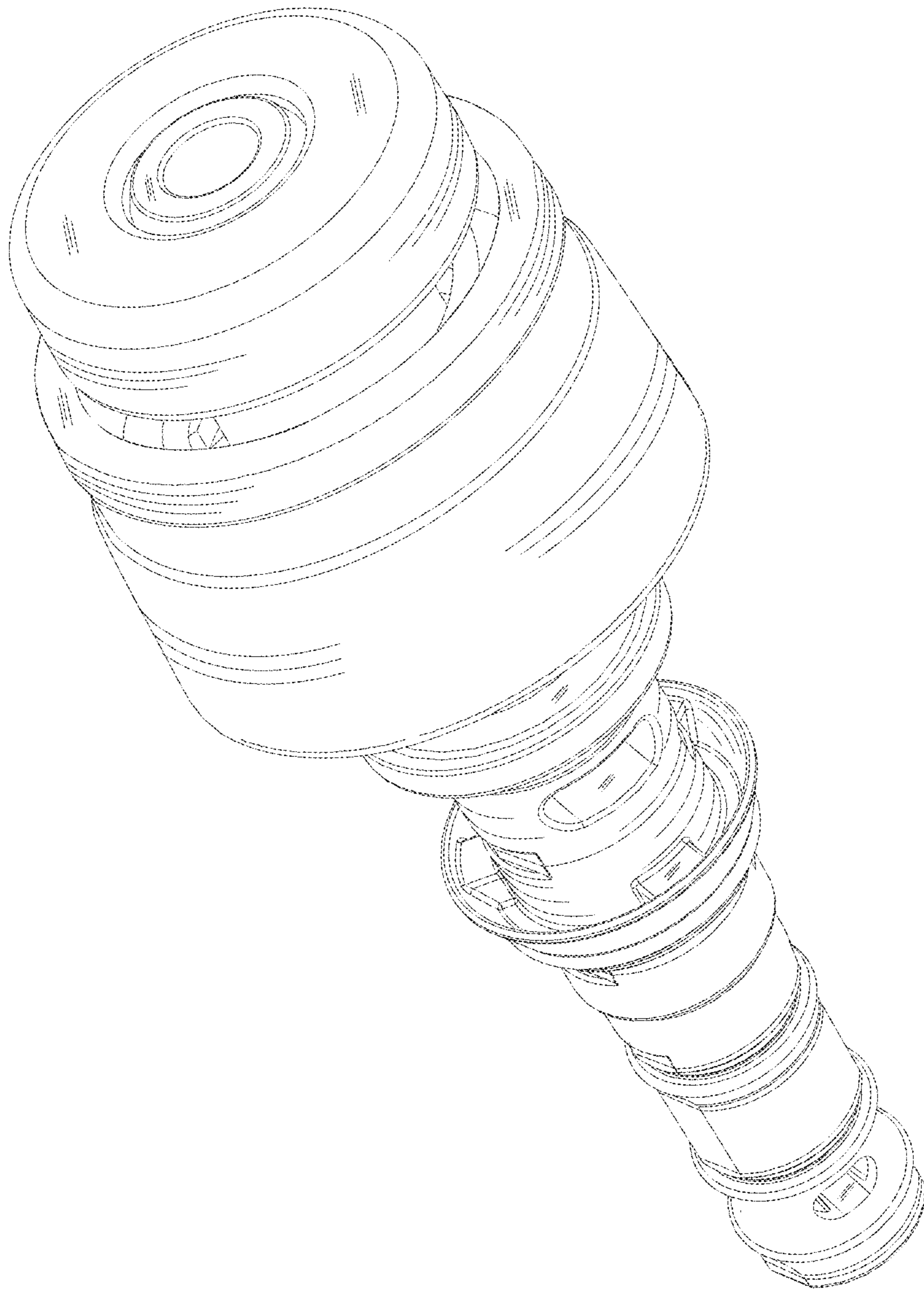


FIG. 8





**FIG. 9**

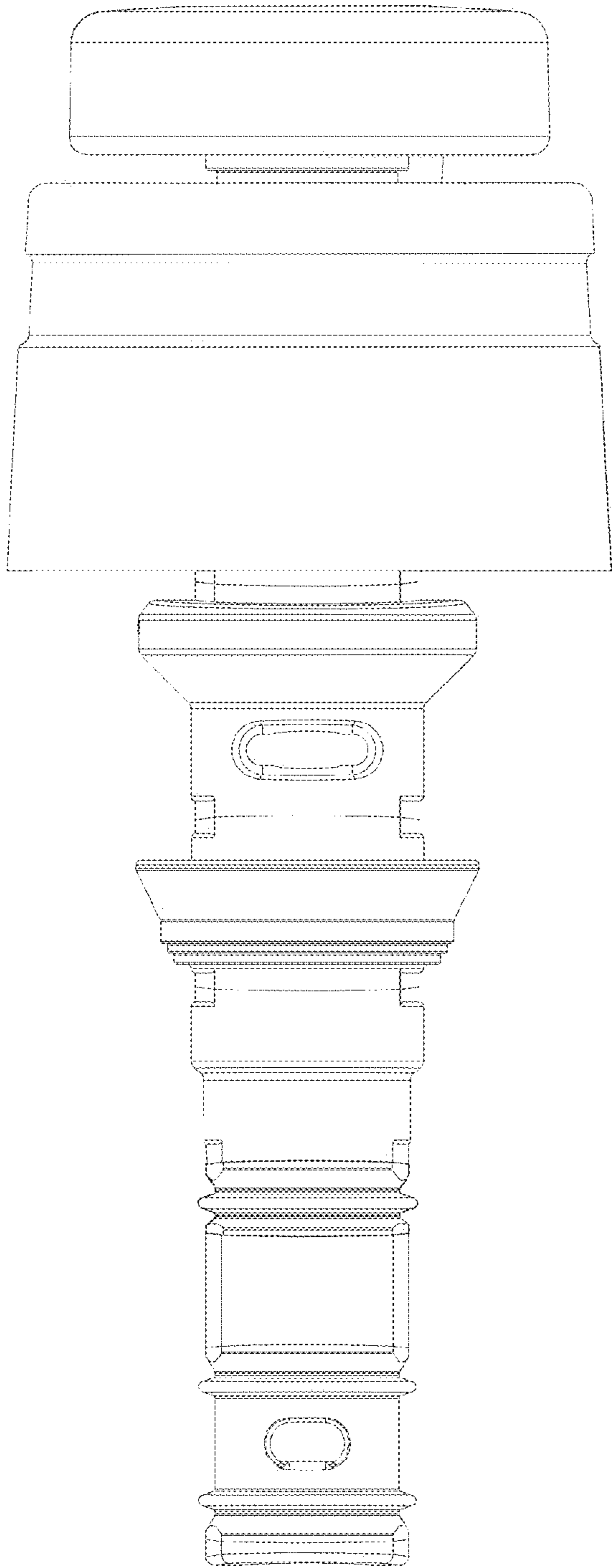


FIG. 10

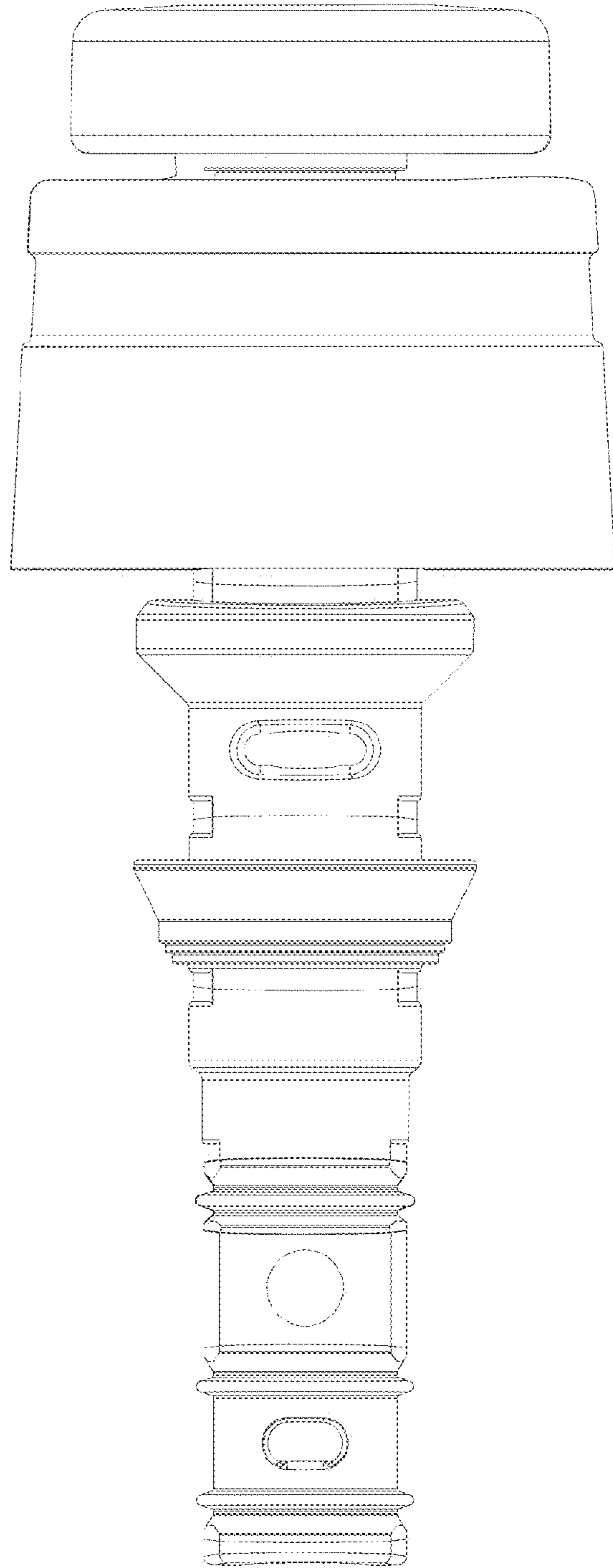
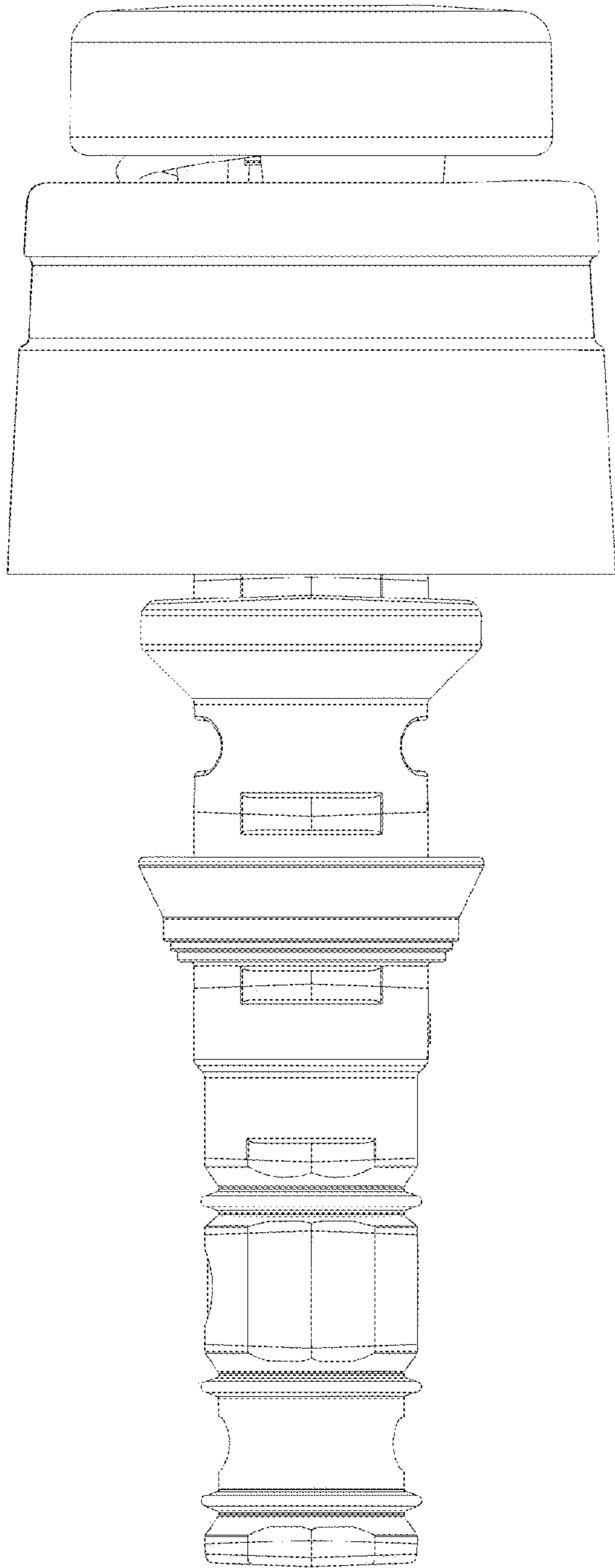
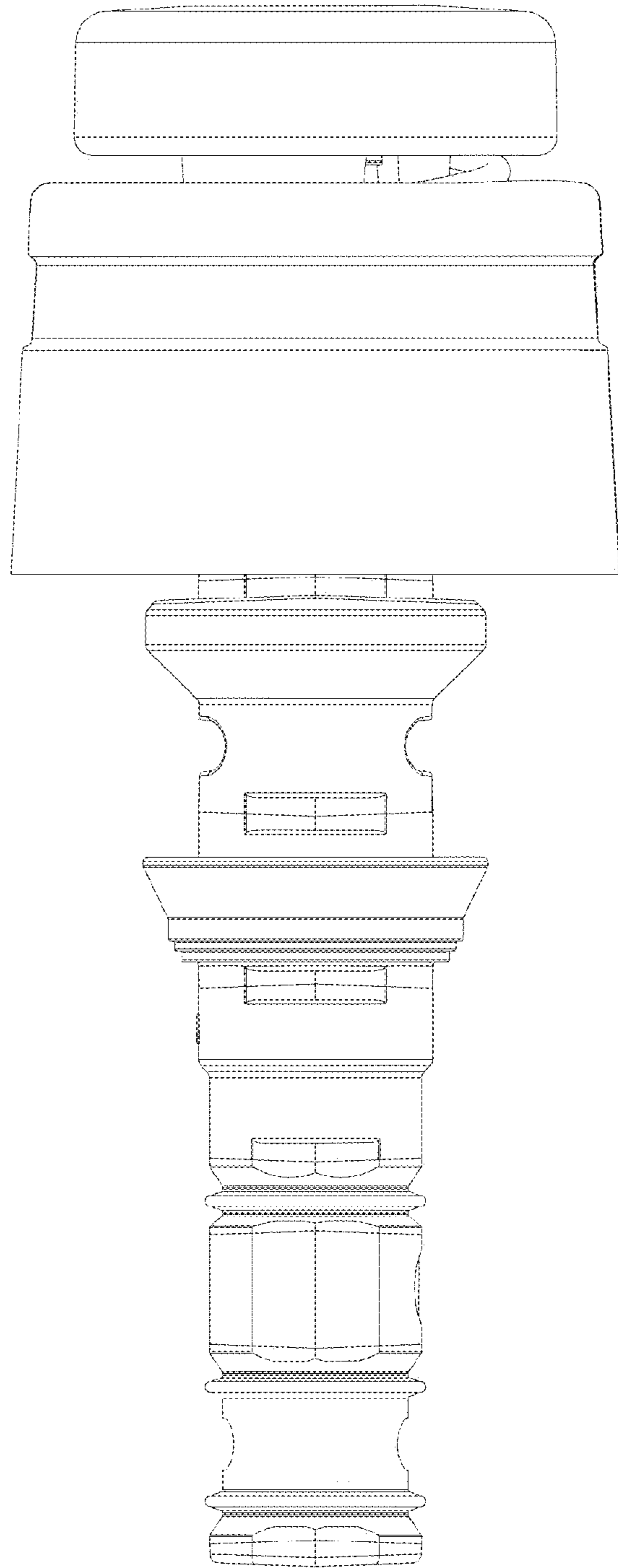


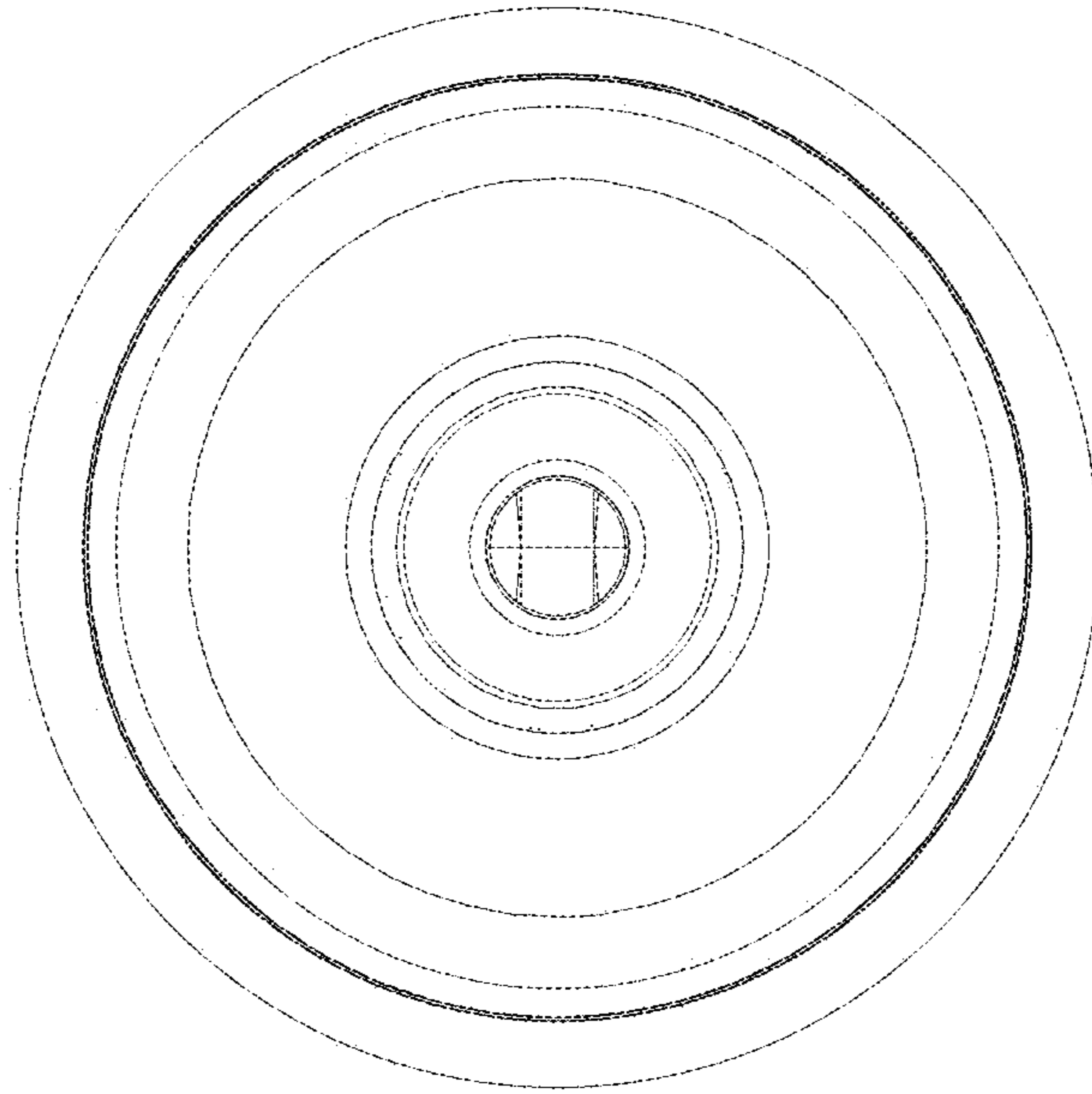
FIG. 11



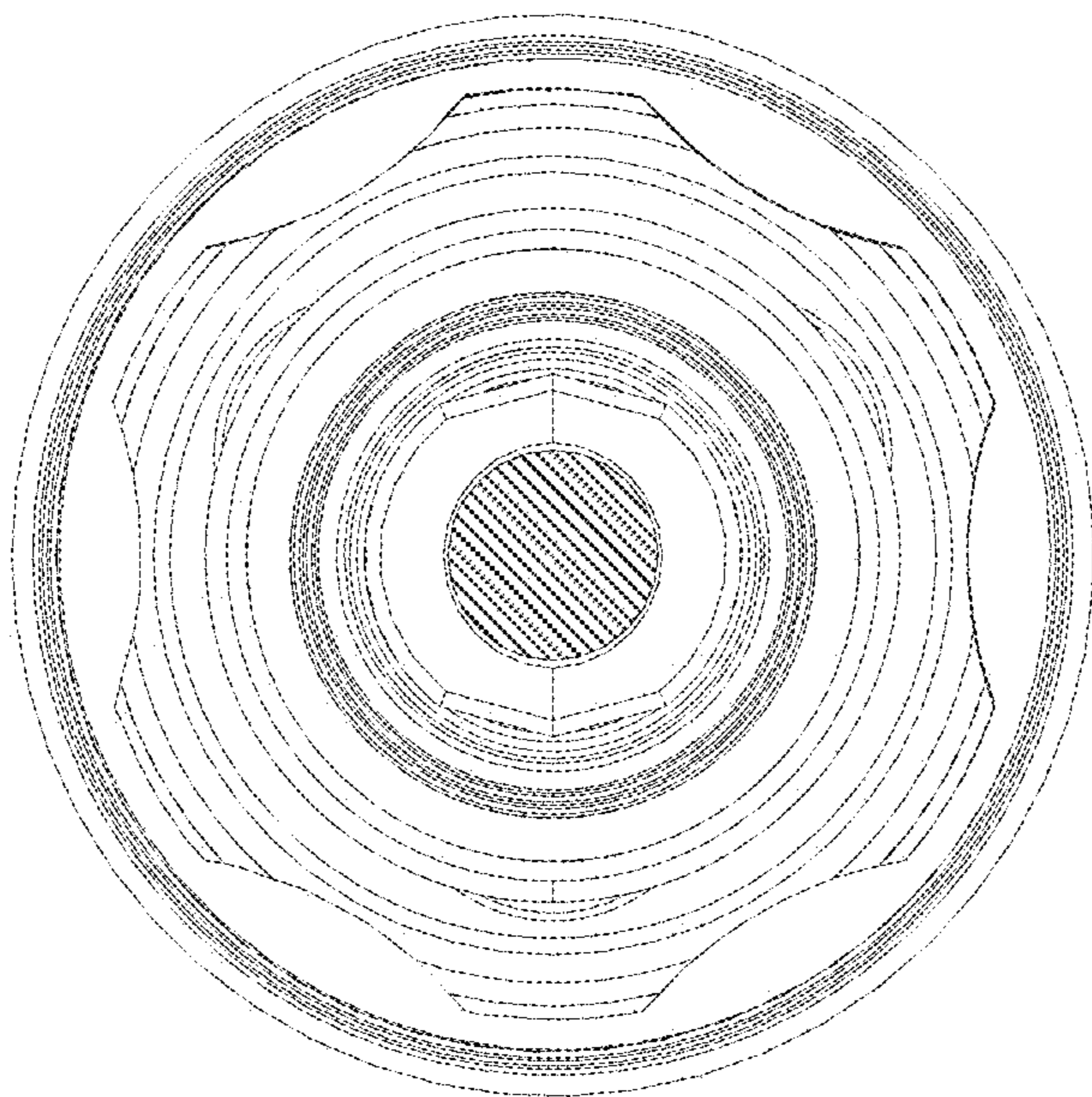
**FIG. 12**



**FIG. 13**



**FIG. 14**



**FIG. 15**

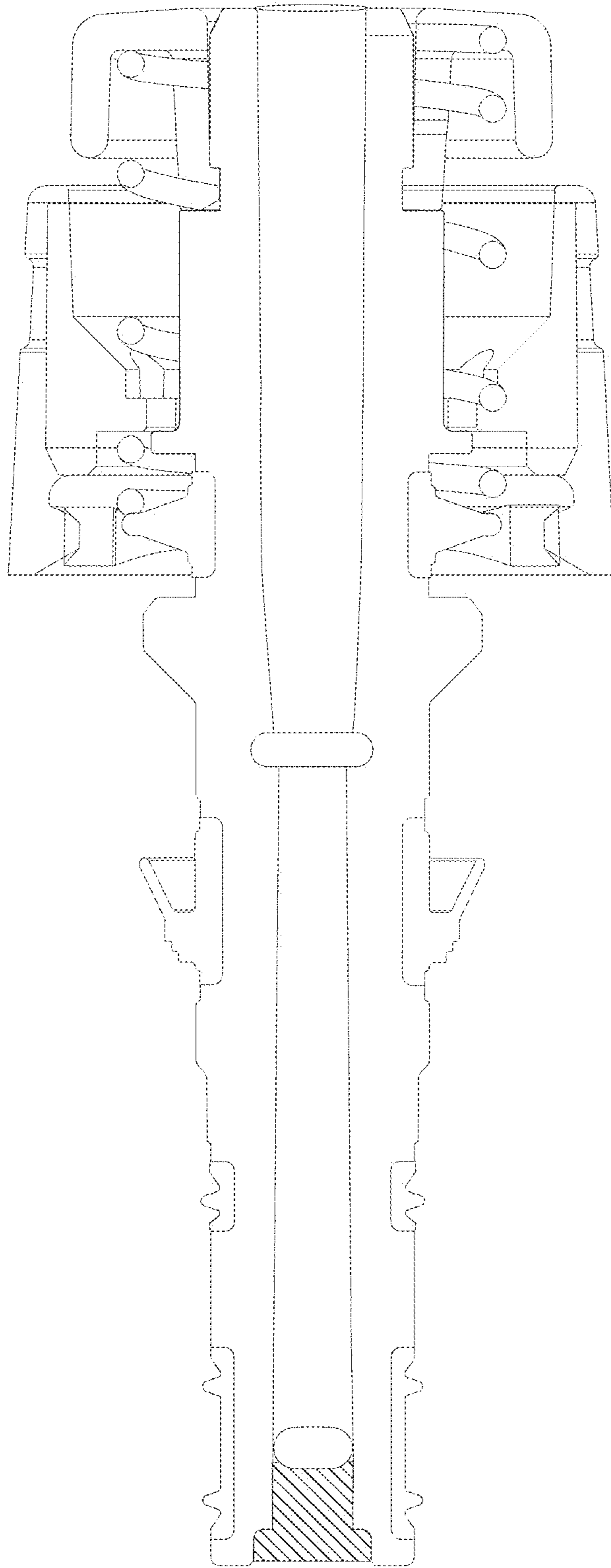


FIG. 16