



US00D952141S

(12) **United States Design Patent** (10) **Patent No.:** **US D952,141 S**
Pepper et al. (45) **Date of Patent:** **** May 17, 2022**

(54) **NASAL DILATOR DEVICE**

(71) Applicant: **ASAP BreatheAssist Pty Ltd,**
Armadale (AU)

(72) Inventors: **Elizabeth Pepper,** Brunswick (AU);
Michael Johnson, Hawthorn (AU);
Justin Armistead, The Basin (AU);
Toby Hartley, Ferntree Gulley (AU)

(73) Assignee: **ASAP BreatheAssist Pty Ltd,**
Armadale (AU)

(**) Term: **15 Years**

(21) Appl. No.: **29/716,995**

(22) Filed: **Dec. 13, 2019**

(30) **Foreign Application Priority Data**

Jun. 13, 2019 (AU) 201913296
(51) **LOC (13) Cl.** **24-02**
(52) **U.S. Cl.**
USPC **D24/135**
(58) **Field of Classification Search**
USPC D24/135, 133, 140

(Continued)

(56) **References Cited**

U.S. PATENT DOCUMENTS

851,048 A 4/1907 Woodward
1,034,566 A 8/1912 Barratt

(Continued)

FOREIGN PATENT DOCUMENTS

AU 2013204827 2/2014
AU 2013205674 2/2014

(Continued)

OTHER PUBLICATIONS

United States Patent and Trademark Office, "Final Office action," issued in connection with U.S. Appl. No. 15/579,309, dated Jan. 21, 2021, 13 pages.

(Continued)

Primary Examiner — Bridget L Eland

(74) *Attorney, Agent, or Firm* — Hanley, Flight & Zimmerman, LLC

(57) **CLAIM**

The ornamental design for a "nasal dilator device", as shown and described.

DESCRIPTION

FIG. 1 is a top, right perspective view of a nasal dilator device in a closed condition.

FIG. 2 is a bottom, left perspective view of the nasal dilator device of FIG. 1.

FIG. 3 is a top, plan view of the nasal dilator device of FIG. 1.

FIG. 4 is a bottom, plan view of the nasal dilator device of FIG. 1.

FIG. 5 is a front view of the nasal dilator device of FIG. 1.

FIG. 6 is a rear view of the nasal dilator device of FIG. 1.

FIG. 7 is a right side view of the nasal dilator device of FIG. 1.

FIG. 8 is a left side view of the nasal dilator device of FIG. 1.

FIG. 9 is a top, front right perspective view of the nasal dilator device of FIG. 1 in an open condition.

FIG. 10 is a front view of the nasal dilator device of FIG. 9.

FIG. 11 is a rear view of the nasal dilator device of FIG. 9.

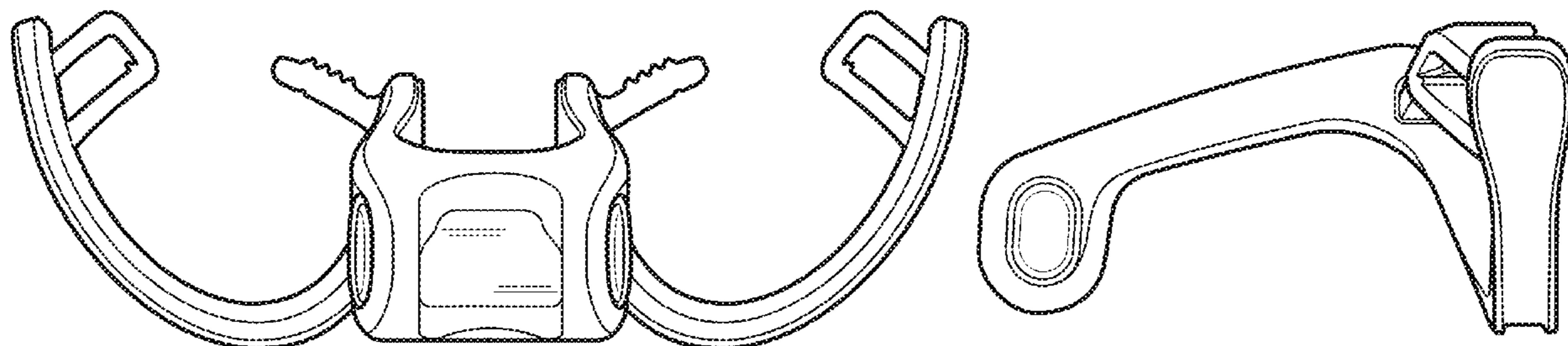
FIG. 12 is a top, plan view of the nasal dilator device of FIG. 9.

FIG. 13 is a bottom, plan view of the nasal dilator device of FIG. 9.

FIG. 14 is a right side view of the nasal dilator device of FIG. 9; and,

FIG. 15 is a left side view of the nasal dilator device of FIG. 9.

1 Claim, 8 Drawing Sheets



(58) **Field of Classification Search**
 CPC . A61M 29/00; A61M 2210/0618; A61F 2/82;
 A61F 2230/0093; A61F 2230/0095; A61F
 5/08; A61F 5/56; A61B 17/24
 See application file for complete search history.

(56) **References Cited**

U.S. PATENT DOCUMENTS

1,077,574	A	11/1913	Woodward	
1,255,574	A	2/1918	Bacher	
1,255,578	A	2/1918	Boxley	
1,481,581	A	1/1924	Woodward	
2,243,360	A	5/1941	Slatis	
3,710,799	A	1/1973	Caballero	
3,722,509	A	3/1973	Nebel	
3,905,335	A	9/1975	Kapp	
4,414,977	A	11/1983	Rezakhany	
4,576,168	A	3/1986	Jalowsky	
4,592,357	A	6/1986	Ersek	
4,759,365	A	7/1988	Askinazy	
5,059,193	A	10/1991	Kuslich	
5,099,857	A	3/1992	Baldo et al.	
5,423,858	A	6/1995	Bolanos et al.	
5,561,188	A	10/1996	Liles et al.	
RE35,408	E	12/1996	Petruson	
5,683,465	A	11/1997	Shinn et al.	
5,693,100	A	12/1997	Pisharodi	
5,749,365	A	5/1998	Magill	
5,787,884	A	8/1998	Tovey	
5,895,409	A	4/1999	Mehdizadeh	
5,931,852	A	8/1999	Brennan	
5,955,376	A	9/1999	Tovey	
6,109,262	A	8/2000	Tovey	
6,129,763	A	10/2000	Chauvin et al.	
6,270,512	B1	8/2001	Rittmann	
6,436,142	B1	8/2002	Paes et al.	
6,561,188	B1	5/2003	Ellis	
6,562,057	B2	5/2003	Santin	
6,626,179	B1	9/2003	Pedley	
6,821,298	B1	11/2004	Jackson	
6,978,781	B1	12/2005	Jordan	
7,055,523	B1 *	6/2006	Brown A61F 5/08	
			128/206.11	
7,105,008	B2	9/2006	Maryanka	
7,108,198	B2	9/2006	Altadonna, Jr.	
7,318,438	B2	1/2008	Brown	
7,390,331	B2	6/2008	Santin et al.	
D575,397	S *	8/2008	Noce D24/135	
7,461,651	B2	12/2008	Brown	
7,727,252	B2	6/2010	Maryanka	
7,740,643	B2	6/2010	Maryanka	
7,918,224	B2	4/2011	Dolezal et al.	
8,048,102	B2	11/2011	Thomas	
D652,143	S *	1/2012	Brown D24/135	
8,232,688	B2	7/2012	Huang	
D670,382	S *	11/2012	Noce D24/135	
8,403,954	B2	3/2013	Santin et al.	
8,491,622	B2	7/2013	Brown	
8,833,369	B2	9/2014	Dolezal et al.	
8,834,512	B1	9/2014	Brown et al.	
D726,312	S *	4/2015	Johnson D24/135	
D753,821	S *	4/2016	Pepper D24/135	
D754,850	S *	4/2016	Pepper D24/135	
D759,239	S *	6/2016	Hartley D24/135	
D774,648	S *	12/2016	Johnson D24/135	
D788,913	S *	6/2017	Pepper D24/135	
D819,205	S	5/2018	Snyder	
2003/0144684	A1	1/2003	Ogle	
2003/0086825	A1	5/2003	Brennan	
2003/0106555	A1	6/2003	Tovey	
2004/0059368	A1 *	3/2004	Maryanka A61M 29/00	
			606/191	
2004/0079814	A1	4/2004	Altadonna	
2004/0111109	A1	6/2004	Ruiz	
2005/0021073	A1	1/2005	Santin et al.	
2005/0278028	A1	12/2005	Mujwid	

2006/0185676	A1	8/2006	Brown	
2006/0185677	A1	8/2006	Brown	
2006/0207598	A1	9/2006	Thomas	
2006/0259064	A1	11/2006	Maryanka	
2006/0266367	A1	11/2006	Louis	
2007/0107731	A1	5/2007	Reed	
2008/0167676	A1	7/2008	Howard	
2008/0178873	A1	7/2008	Alpers	
2009/0194100	A1	8/2009	Minagi	
2009/0198268	A1	8/2009	Case	
2010/0042134	A1	2/2010	Wien	
2010/0063523	A1	3/2010	Menard et al.	
2010/0063532	A1	3/2010	Moore	
2010/0087749	A1	4/2010	Tovey	
2011/0118775	A1	5/2011	Brown	
2012/0111340	A1	5/2012	Robitaille	
2012/0279504	A1	11/2012	Moore	
2012/0330345	A1	12/2012	Tasca	
2013/0081637	A1	4/2013	Foley et al.	
2013/0081639	A1	4/2013	Bergstrand Borjegren et al.	
2013/0211275	A1	8/2013	Curti	
2013/0296809	A1	11/2013	Santin et al.	
2014/0128904	A1	5/2014	Mezzoli et al.	
2014/0246023	A1	9/2014	Maryanka	
2015/0000675	A1	1/2015	Kallikounis et al.	
2015/0196420	A1 *	7/2015	Ede A61M 29/00	
			604/285	
2015/0196520	A1	7/2015	Yoshizaki	
2017/0119571	A1 *	5/2017	Pepper A61M 15/085	
2017/0172783	A1	6/2017	Pepper et al.	

FOREIGN PATENT DOCUMENTS

CN	103520815	1/2014
CN	306384880	* 3/2021
EM	007383401-0001	* 1/2020
EM	007383401-0002	* 1/2020
EP	2387978	11/2011
EP	2114326	3/2014
EP	1968684	2/2016
GB	9007383401-0001	* 12/2019
GB	9007383401-0002	* 12/2019
KR	100893945	4/2009
KR	301106100.0000	* 4/2021
WO	2007119041	10/2007
WO	2008109873	9/2008
WO	2009124567	10/2009
WO	2011104660	9/2011
WO	2012137182	10/2012
WO	2014183966	11/2014
WO	2015/192162	12/2015
WO	2015/192173	12/2015

OTHER PUBLICATIONS

United States Patent and Trademark Office, "Non-Final Office action," issued in connection with U.S. Appl. No. 15/749,698, dated Mar. 22, 2021, 26 pages.

United States Patent and Trademark Office, "Non-Final Office action," issued in connection with U.S. Appl. No. 15/579,304, dated Aug. 21, 2020, 12 pages.

International Preliminary Report on Patentability issued in connection with PCT patent application No. PCT/AU2016/050621, dated Nov. 21, 2017, 22 pages.

United States Patent and Trademark Office, "Non-Final Office action," issued in connection with U.S. Appl. No. 15/319,941, dated Apr. 11, 2018, 50 pages.

United States Patent and Trademark Office, "Non-Final Office action," issued in connection with U.S. Appl. No. 10/631,415, dated Aug. 8, 2005, 15 pages.

United States Patent and Trademark Office, "Non-Final Office action," issued in connection with U.S. Appl. No. 10/631,415, dated Dec. 29, 2005, 9 pages.

United States Patent and Trademark Office, "Non-Final Office action," issued in connection with U.S. Appl. No. 11/363,884, dated May 14, 2009, 9 pages.

(56)

References Cited

OTHER PUBLICATIONS

United States Patent and Trademark Office, "Non-Final Office action," issued in connection with U.S. Appl. No. 11/363,884, dated Apr. 3, 2009, 9 pages.

United States Patent and Trademark Office, "Non-Final Office action," issued in connection with U.S. Appl. No. 12/154,868, dated Oct. 23, 2014, 35 pages.

United States Patent and Trademark Office, "Final Office action," issued in connection with U.S. Appl. No. 15/319,940, dated Jan. 7, 2020, 25 pages.

United States Patent and Trademark Office, "Non-Final Office action," issued in connection with U.S. Appl. No. 15/319,940, dated Sep. 30, 2020, 24 pages.

United States Patent and Trademark Office, "Non-Final Office action," issued in connection with U.S. Appl. No. 15/319,941, dated Mar. 3, 2020, 40 pages.

United States Patent and Trademark Office, "Non-Final Office action," issued in connection with U.S. Appl. No. 15/579,304, dated Jan. 24, 2020, 20 pages.

United States Patent and Trademark Office, "Non-Final Office action," issued in connection with U.S. Appl. No. 15/319,940, dated Apr. 6, 2018, 41 pages.

United States Patent and Trademark Office, "Final Office action," issued in connection with U.S. Appl. No. 15/319,940, dated May 18, 2021, 12 pages.

United States Patent and Trademark Office, "Final Office action," issued in connection with U.S. Appl. No. 15/319,941, dated May 18, 2021, 16 pages.

United States Patent and Trademark Office, "Non-Final Office action," issued in connection with U.S. Appl. No. 15/319,941, dated Sep. 30, 2020, 16 pages.

* cited by examiner

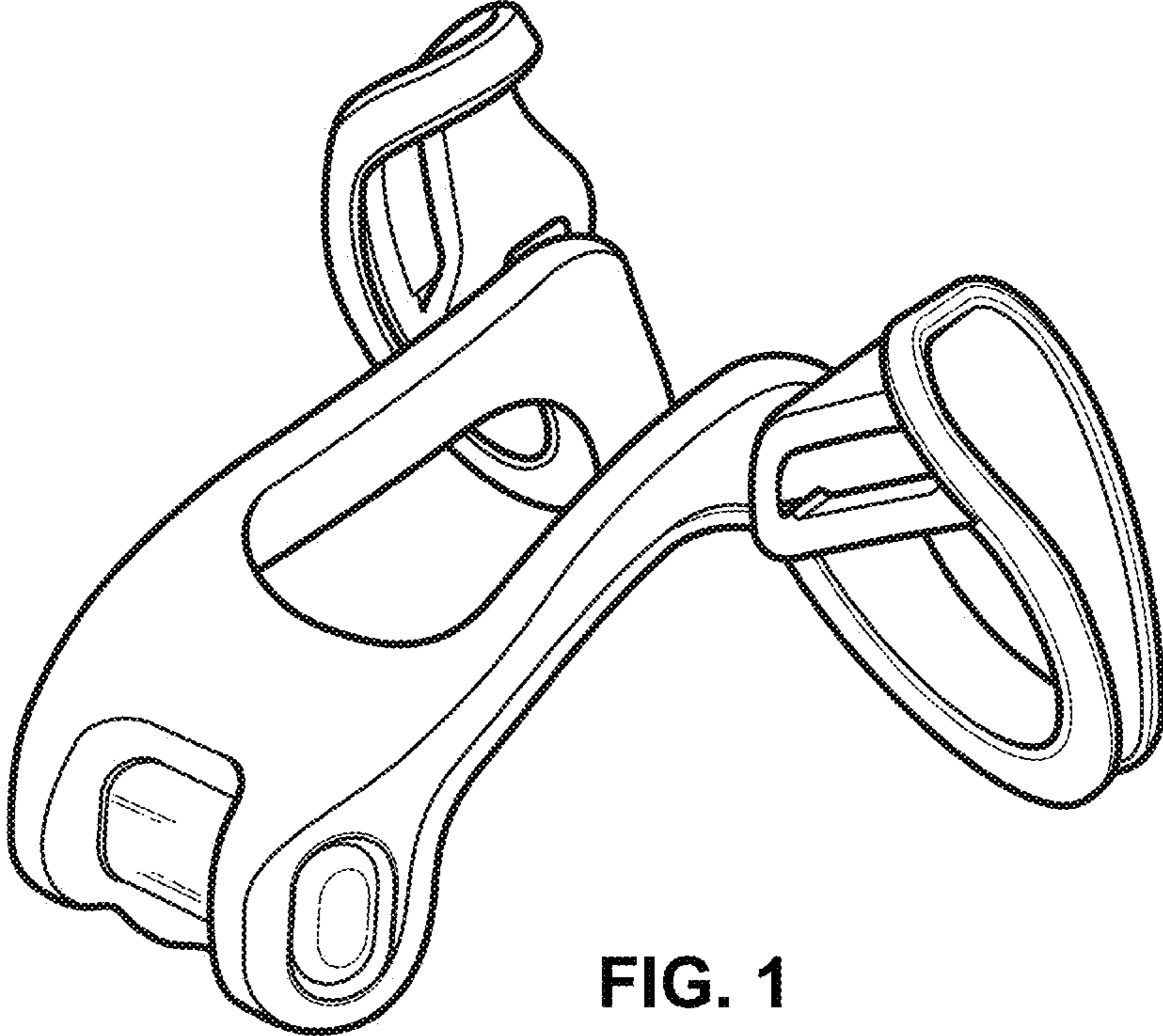


FIG. 1

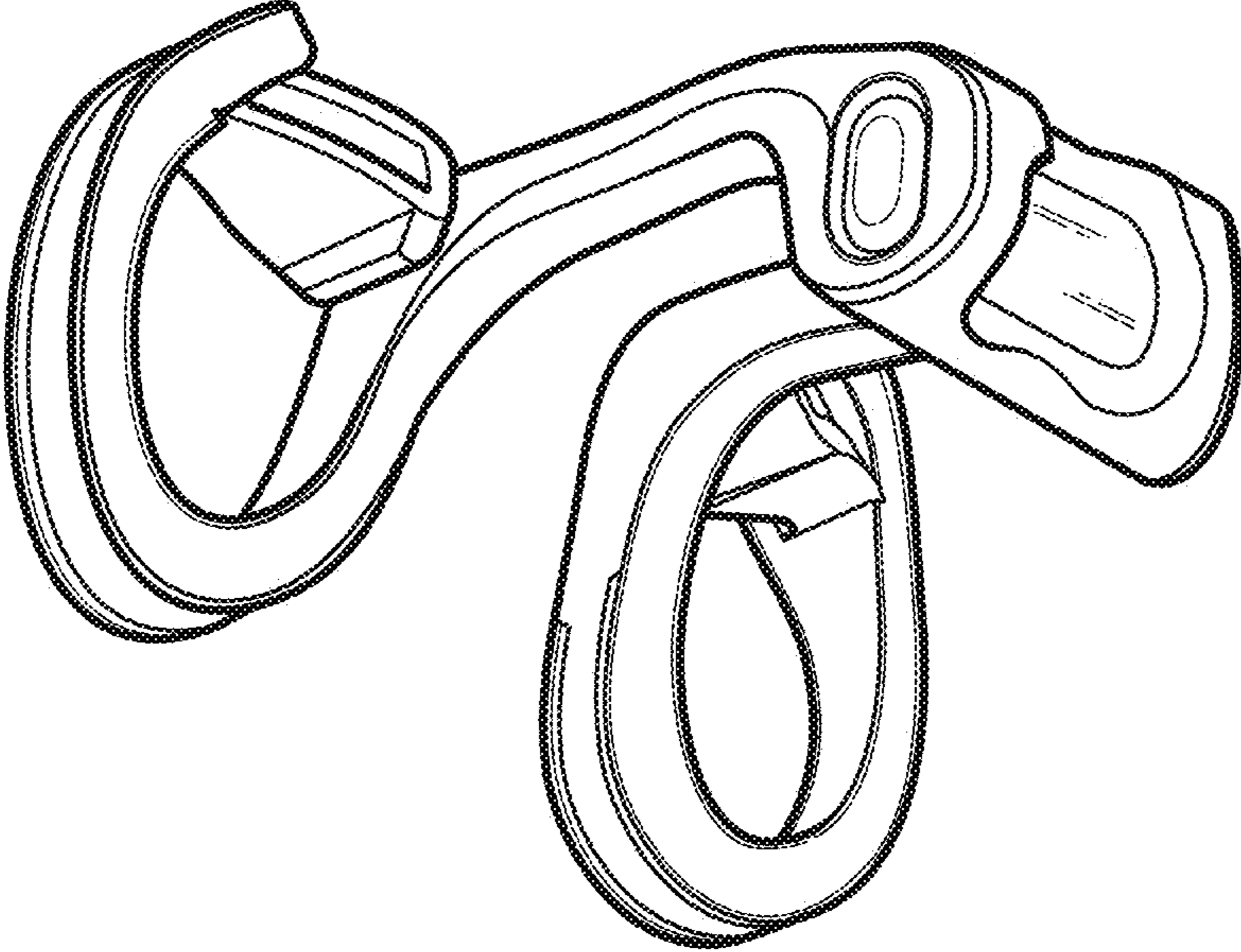


FIG. 2

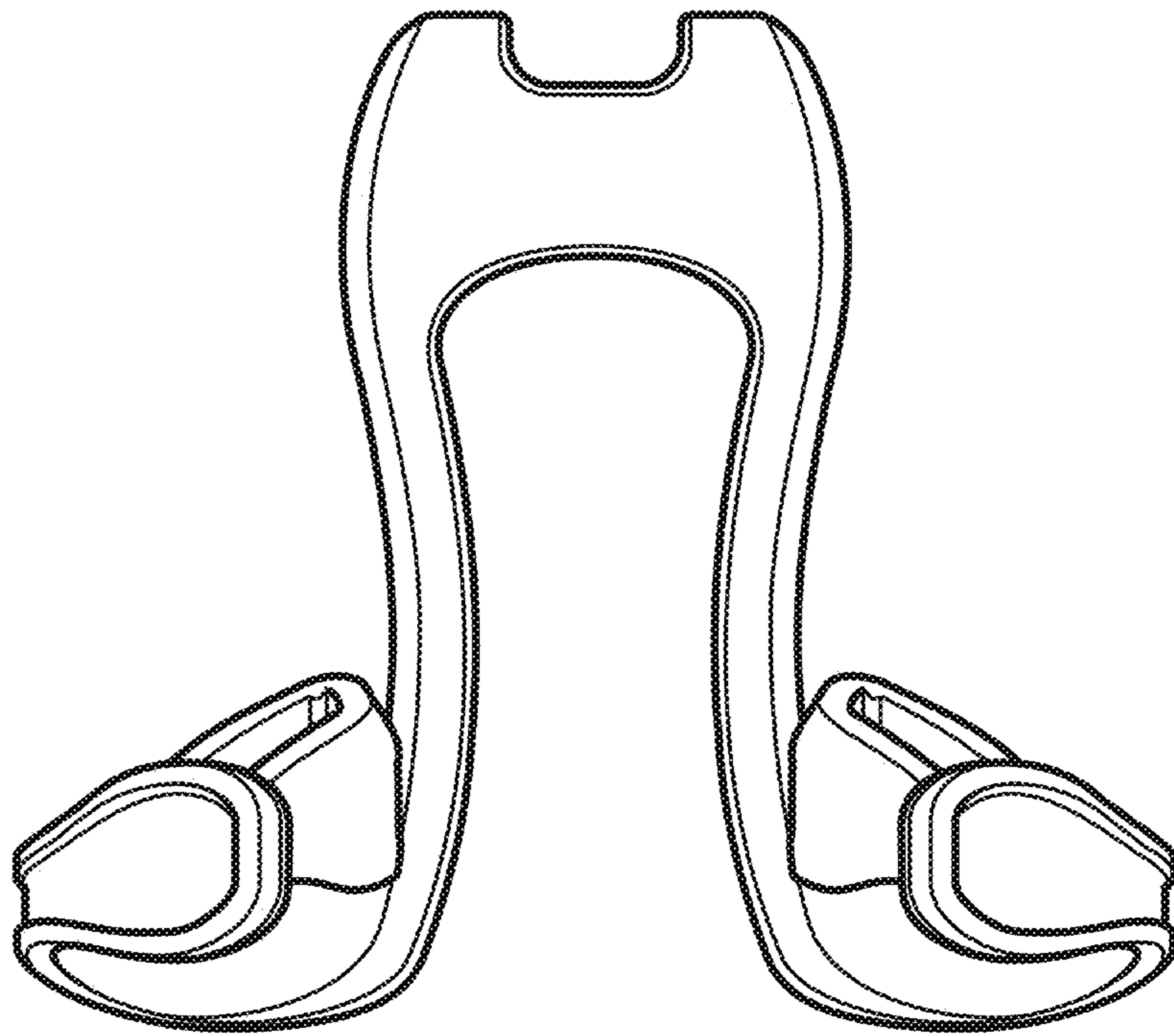


FIG. 3

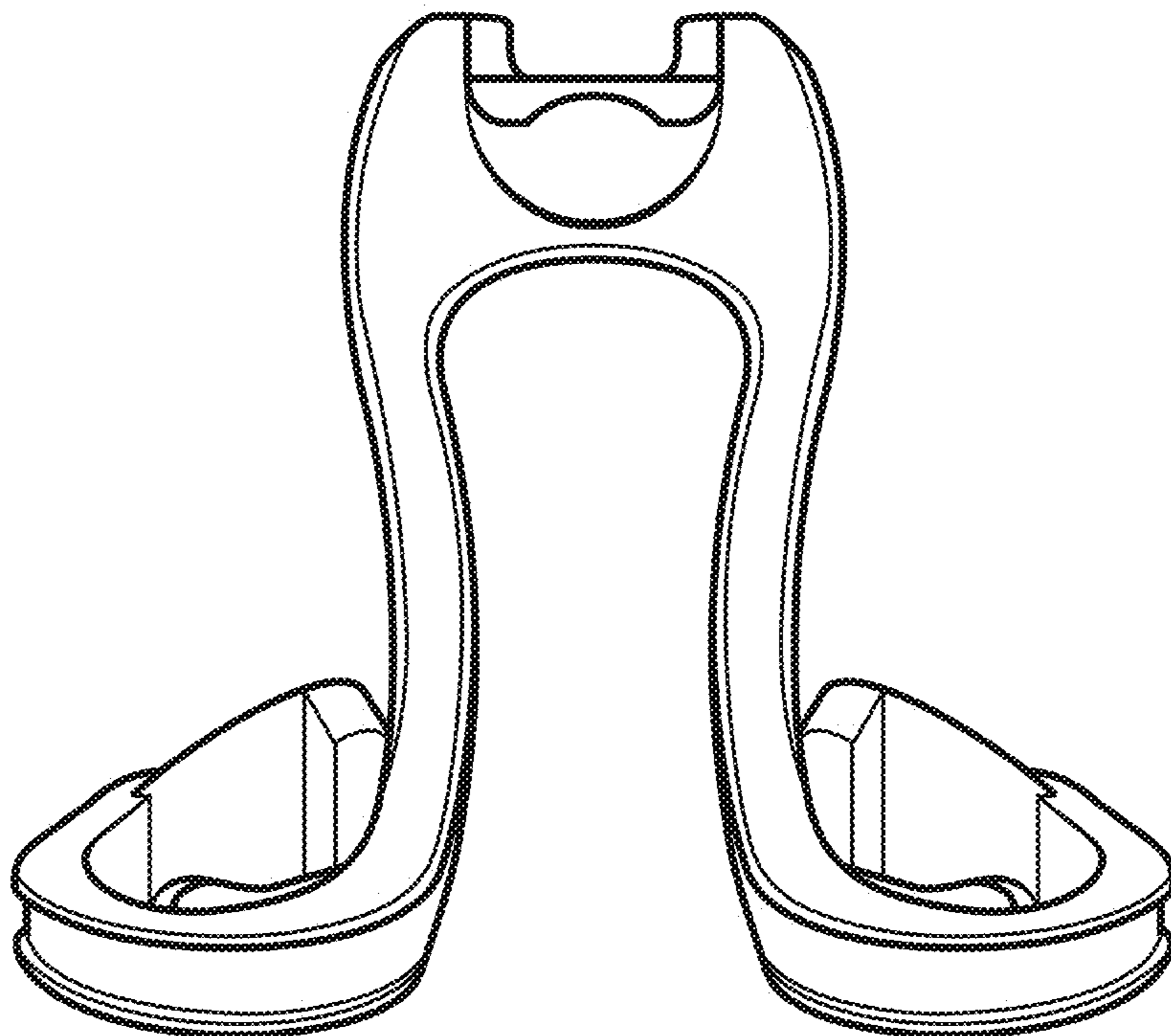


FIG. 4

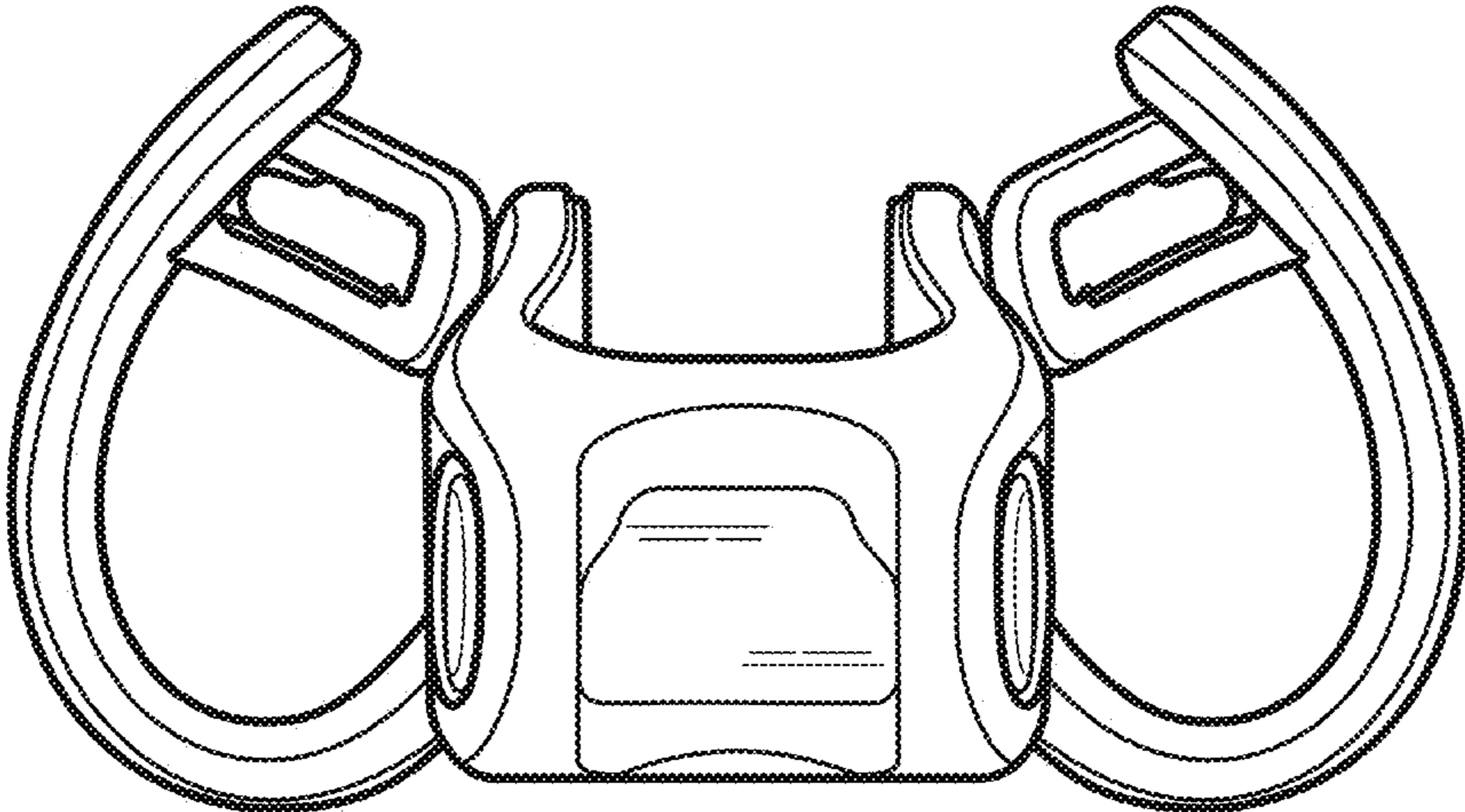


FIG. 5

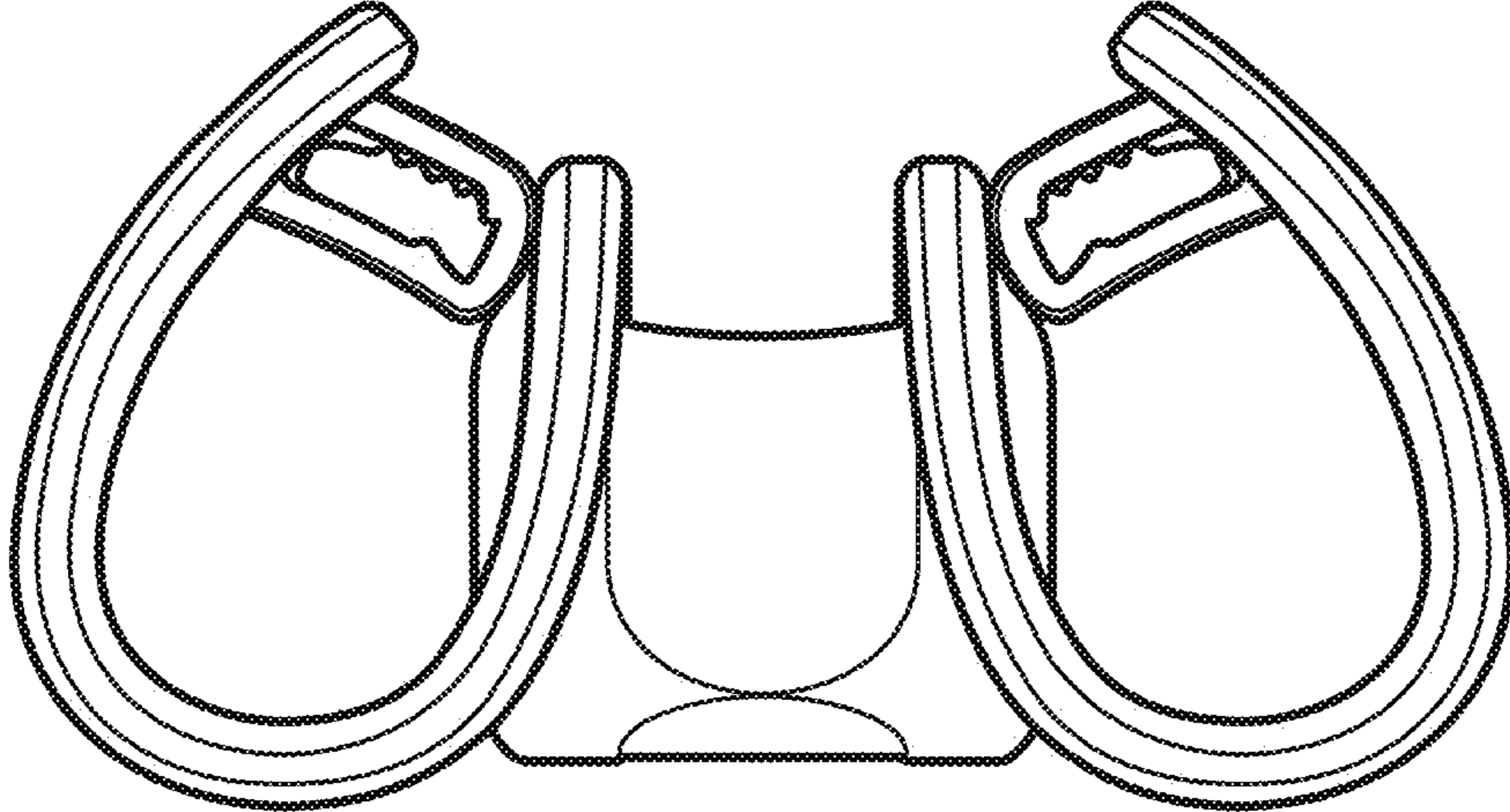


FIG. 6

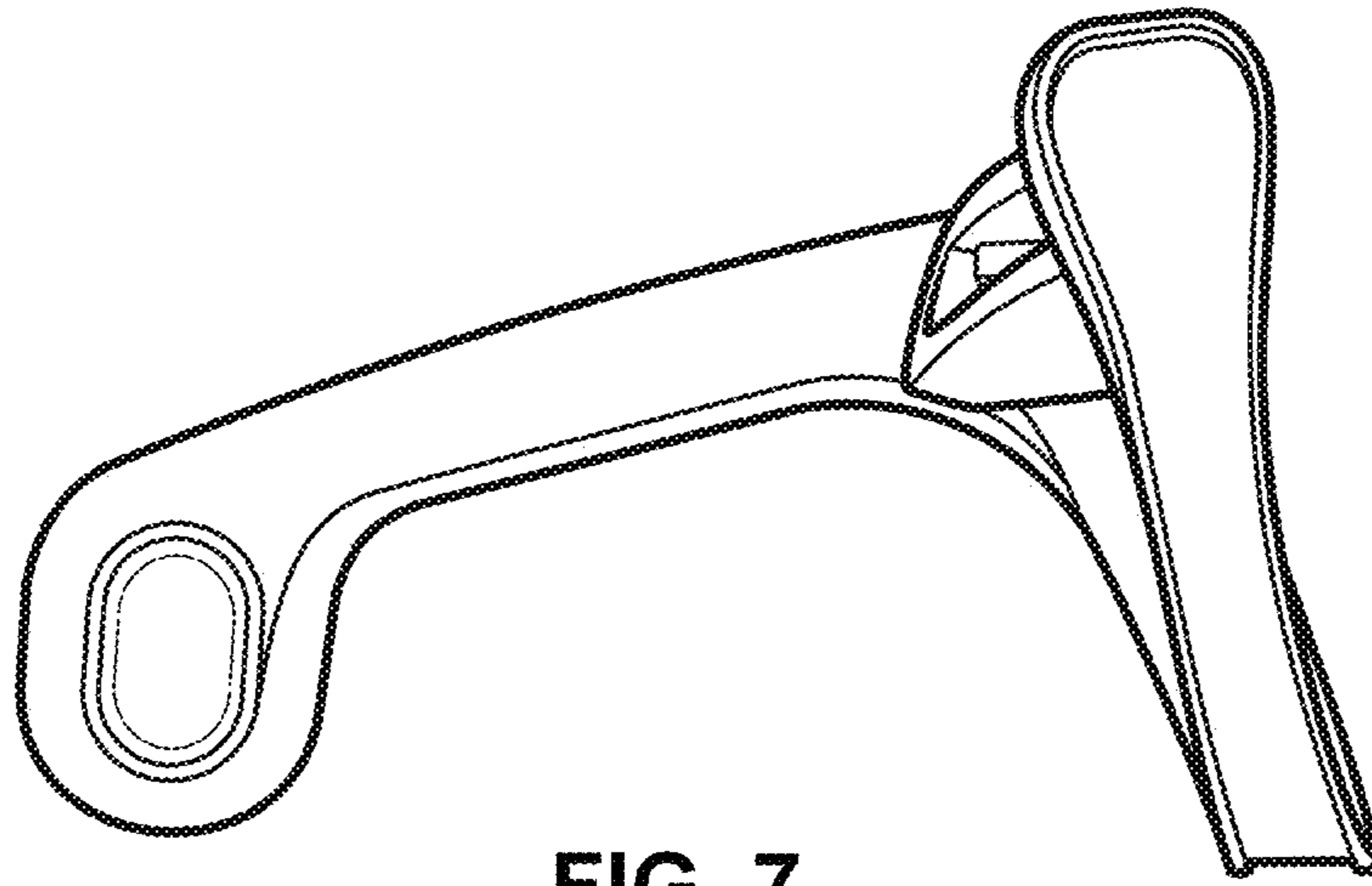


FIG. 7

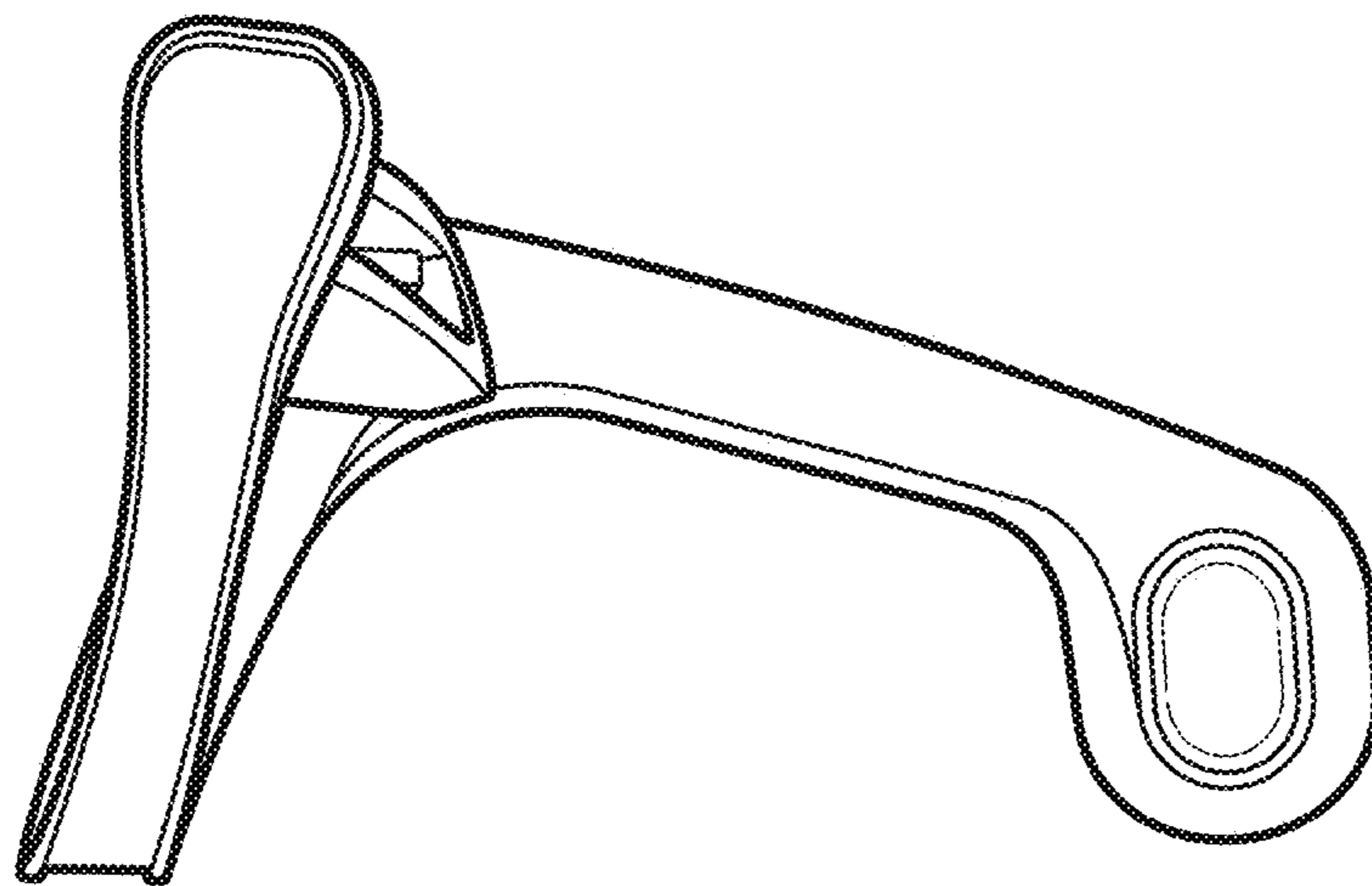


FIG. 8

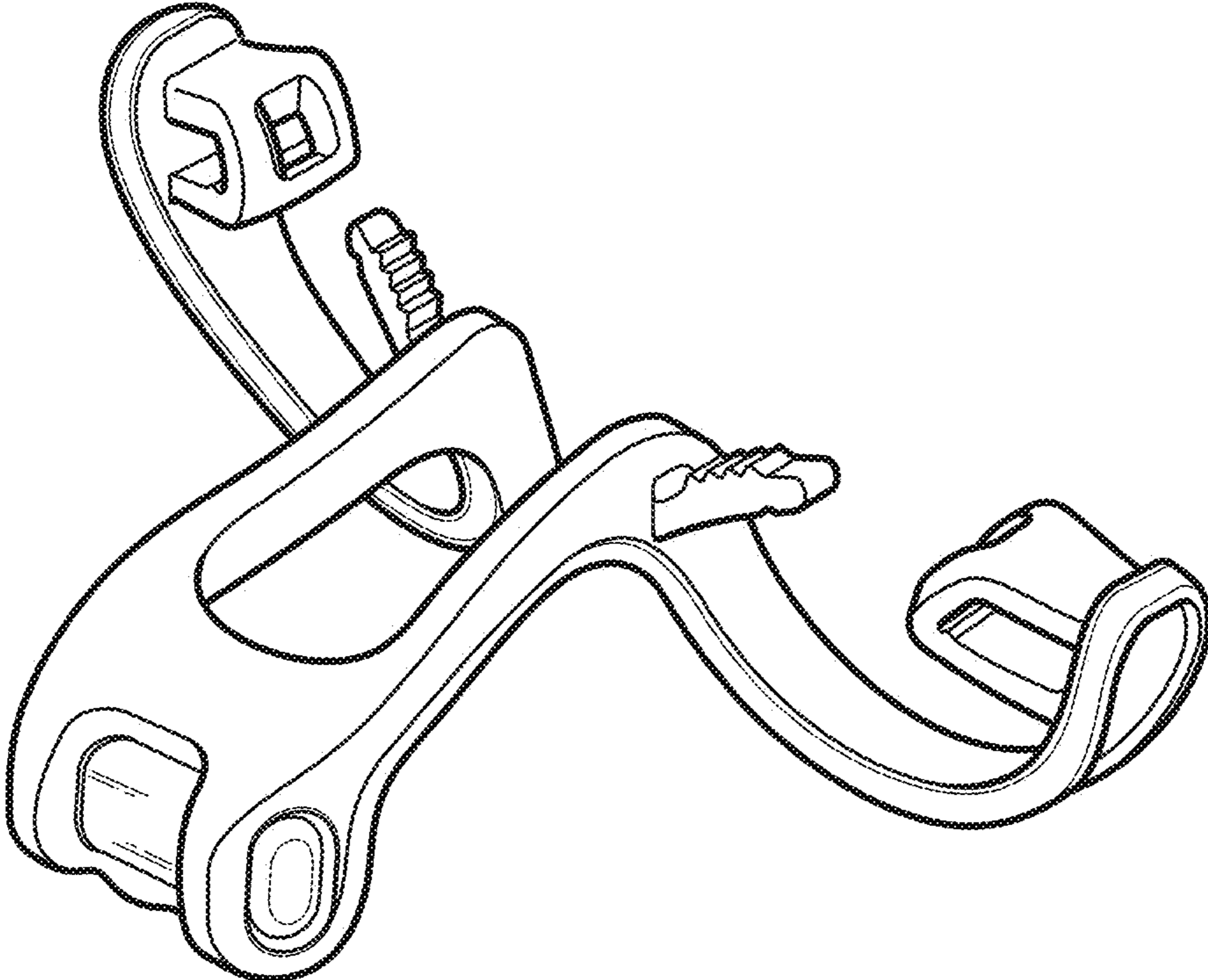


FIG. 9

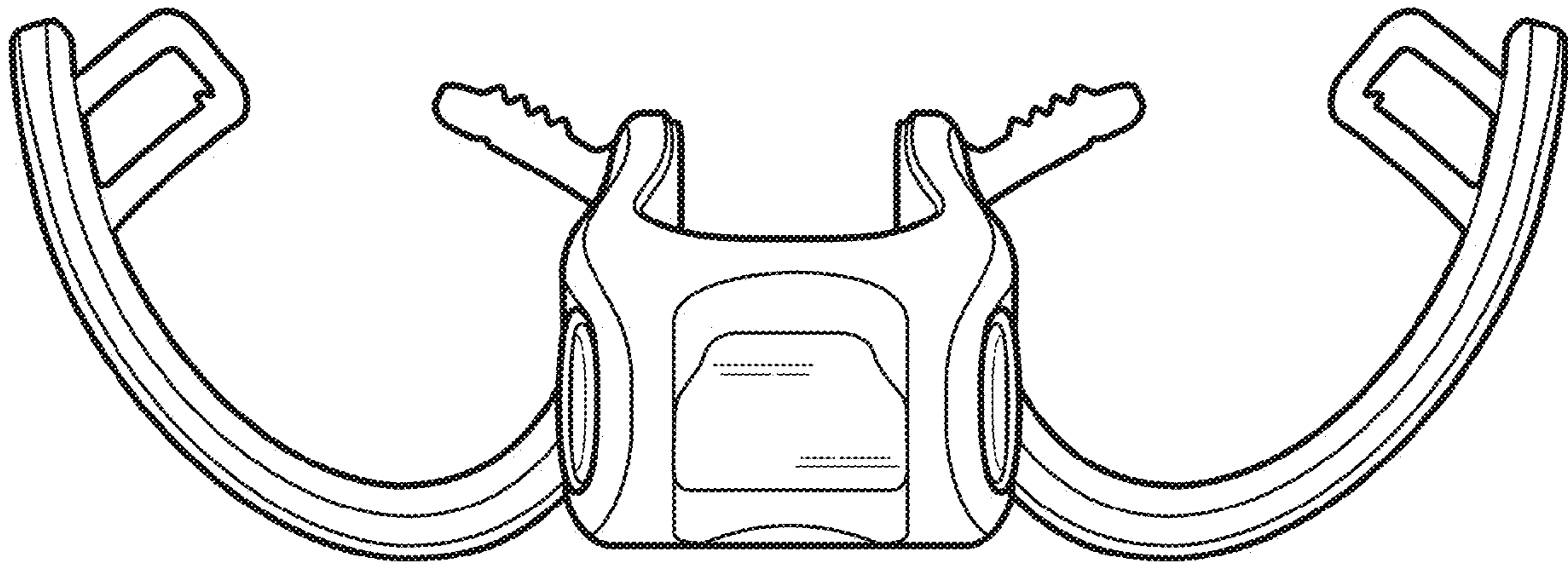


FIG. 10

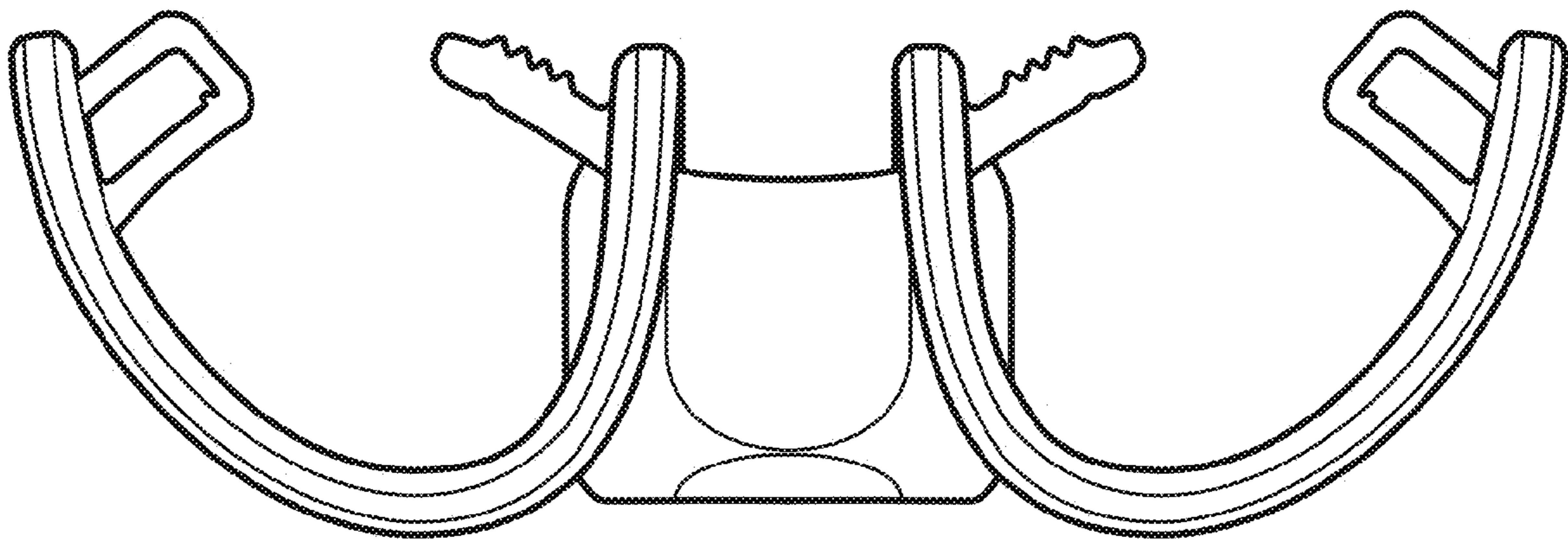


FIG. 11

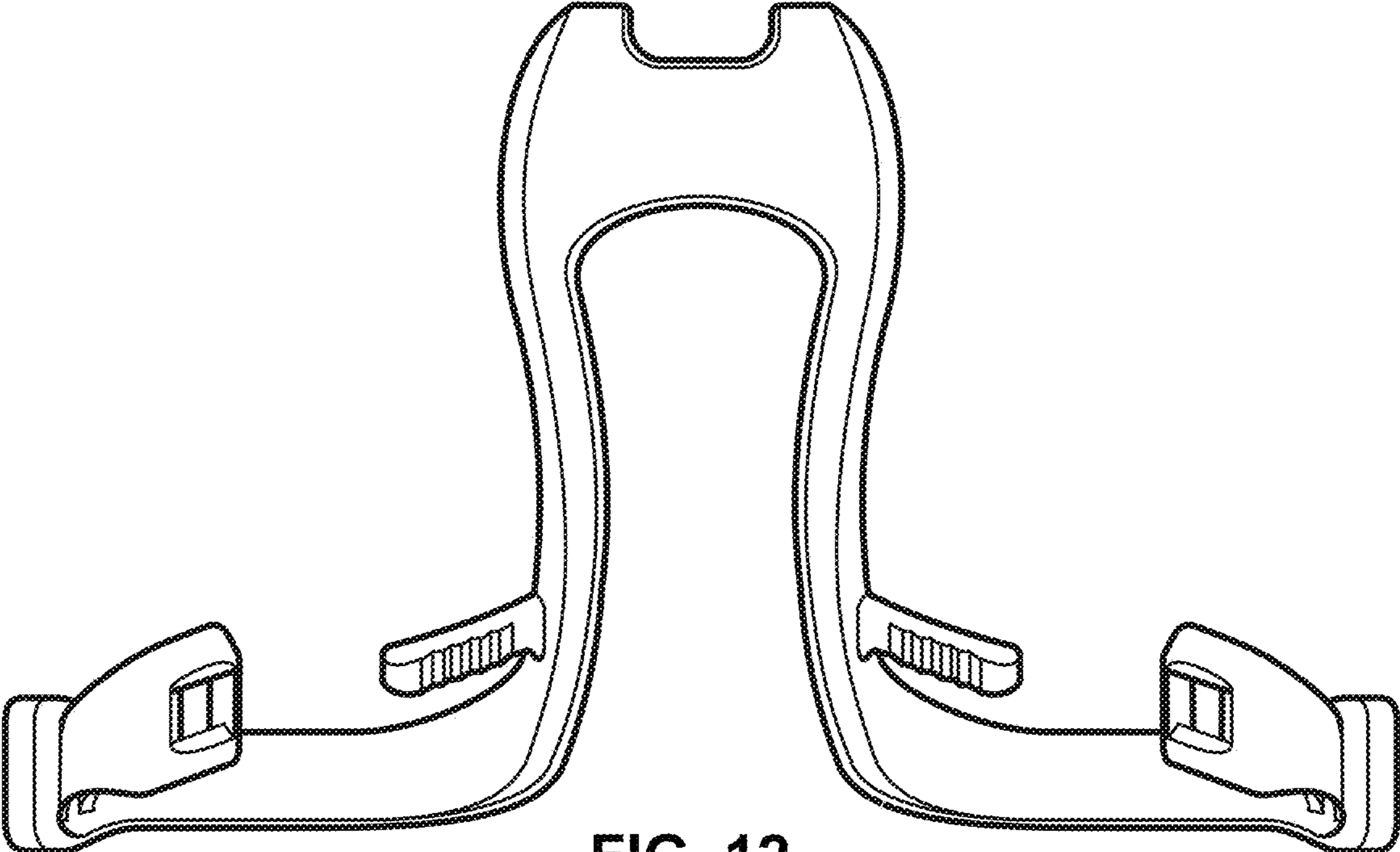


FIG. 12

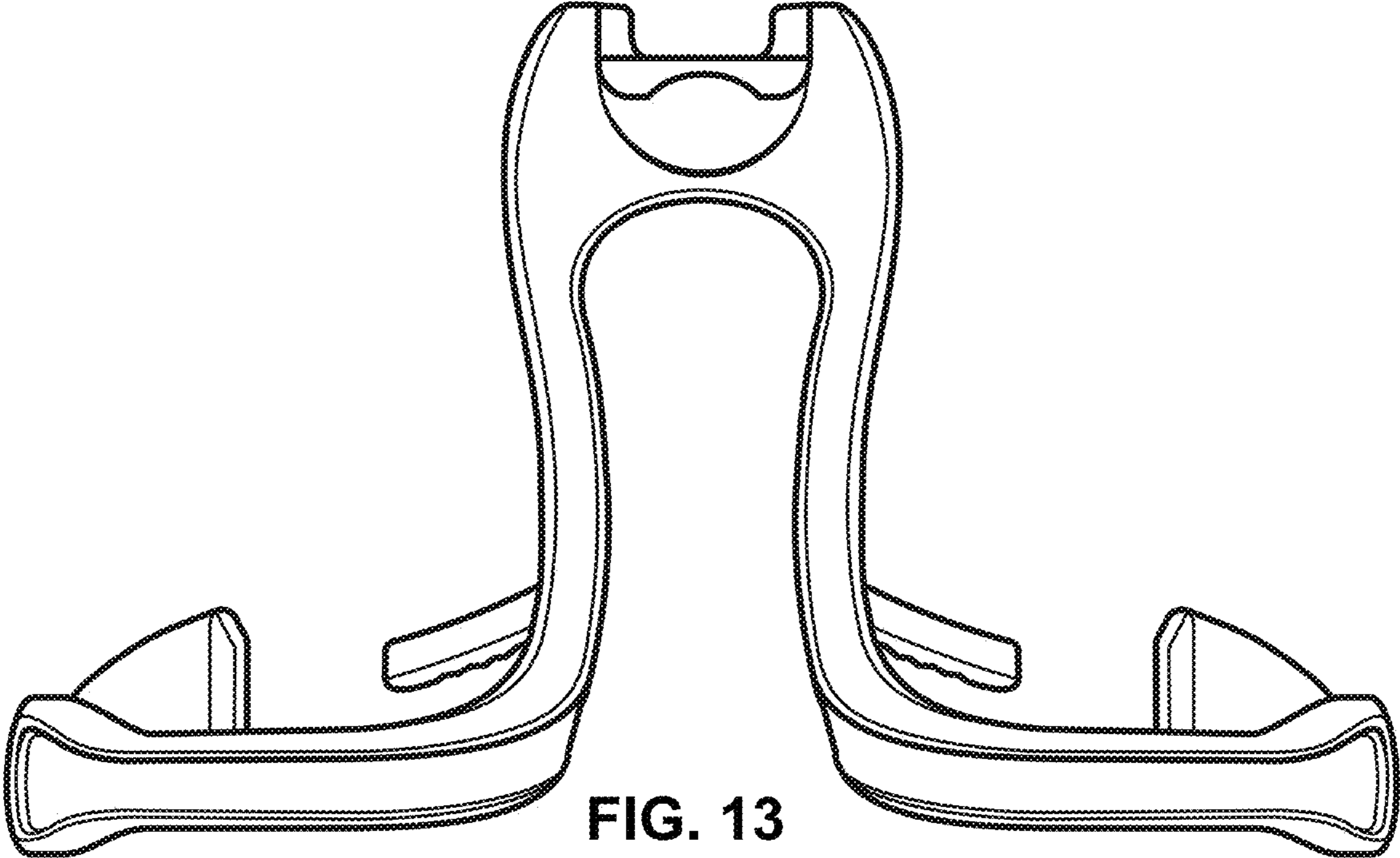


FIG. 13

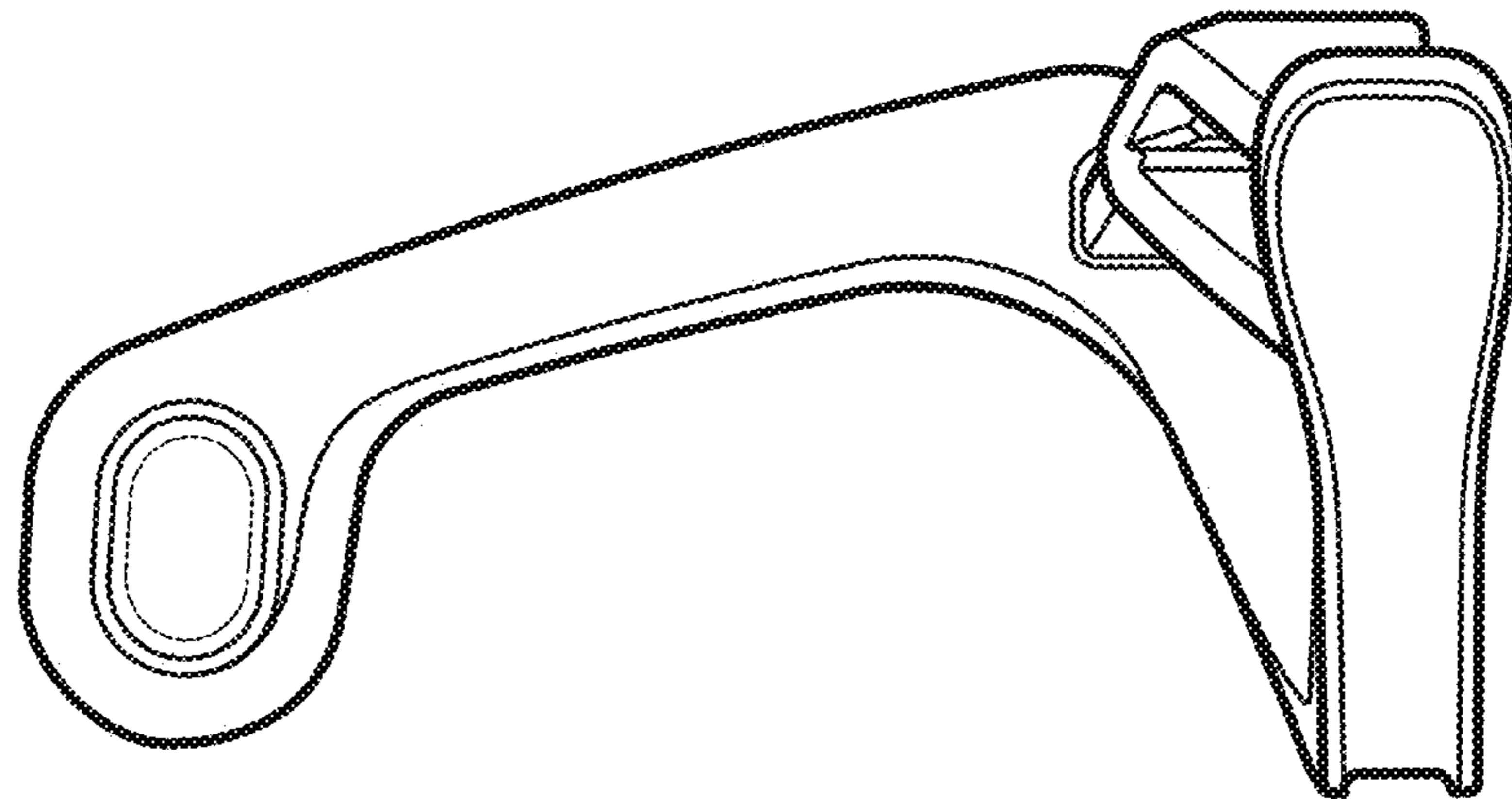


FIG. 14

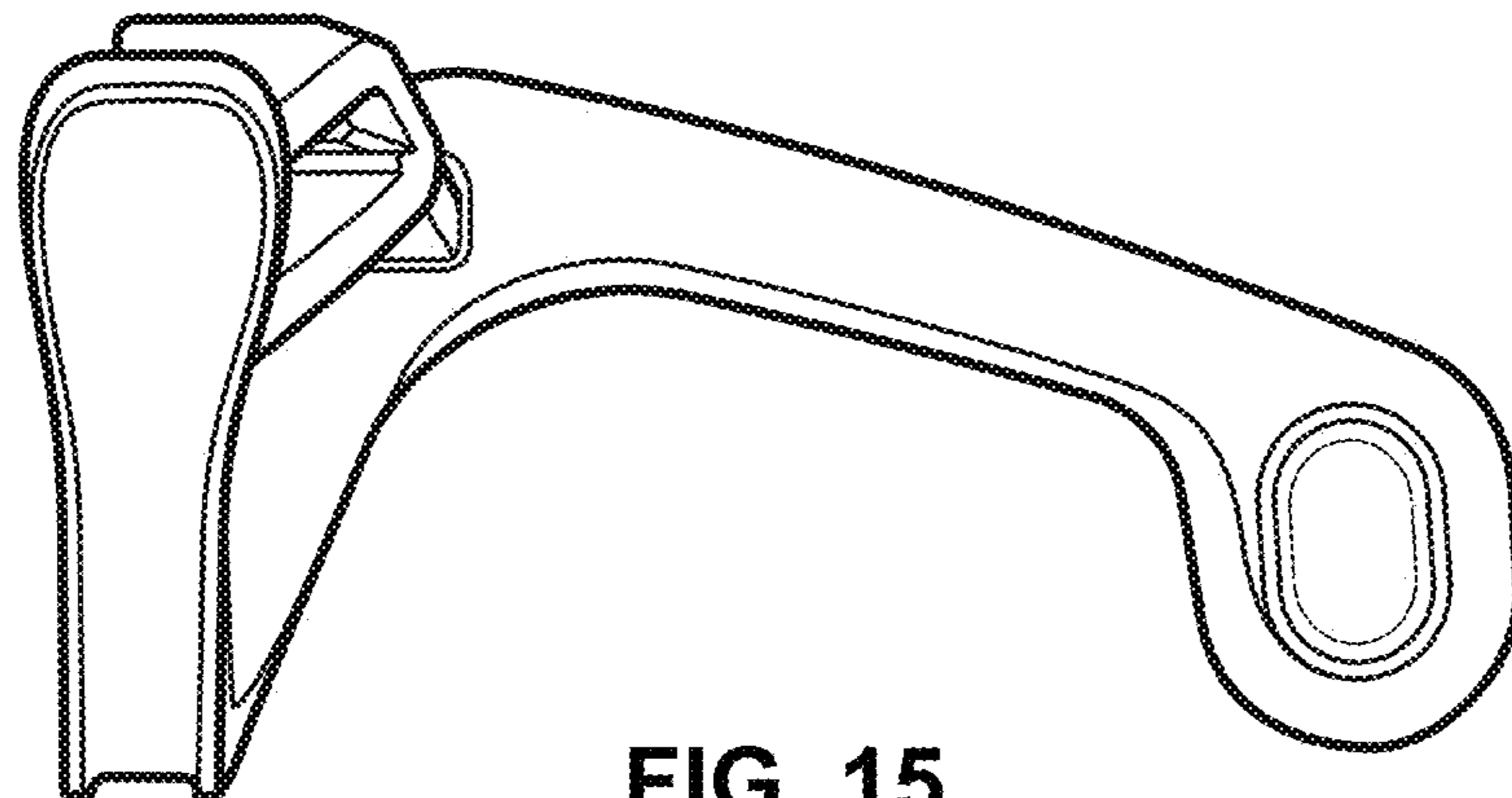


FIG. 15