



US00D952139S

(12) **United States Design Patent** (10) **Patent No.:** **US D952,139 S**  
**Milhous et al.** (45) **Date of Patent:** **\*\* May 17, 2022**

(54) **CATHETER HUB WITH AN ELECTRICAL CONNECTOR**  
(71) Applicant: **MicroVention, Inc.**, Aliso Viejo, CA (US)  
(72) Inventors: **Parker Milhous**, Santa Ana, CA (US); **Heath Bowman**, Trabuco Canyon, CA (US); **Kaushik Joshi**, Tustin, CA (US)  
(73) Assignee: **MicroVention, Inc.**, Aliso Viejo, CA (US)

(\*\*) Term: **15 Years**

(21) Appl. No.: **29/740,035**

(22) Filed: **Jun. 30, 2020**

**Related U.S. Application Data**

(62) Division of application No. 29/660,583, filed on Aug. 21, 2018, now Pat. No. Des. 892,320.

(51) **LOC (13) Cl.** ..... **24-01**

(52) **U.S. Cl.**  
USPC ..... **D24/130**

(58) **Field of Classification Search**  
USPC ..... D24/127-131, 112-114, 133, 186; 606/181, 185; 604/264, 523-528, 272, 604/187, 158, 164.01-164.11, 181, 184, 604/227; 600/101, 139, 143; 128/200.24, 207.14, 207.15  
CPC ..... A61M 25/00; A61M 39/00; A61M 27/00; A61M 25/0043; A61M 25/0067; A61M 25/0097; A61F 2/958  
See application file for complete search history.

(56) **References Cited**

**U.S. PATENT DOCUMENTS**

D263,335 S \* 3/1982 Bujan ..... D10/102  
6,193,682 B1 \* 2/2001 Ahmed ..... A61M 27/006  
604/198

D475,458 S \* 6/2003 Denolly ..... D24/133  
D634,840 S \* 3/2011 Lombardi, III ..... D24/129  
D652,511 S \* 1/2012 Lombardi, III ..... D24/129  
D662,588 S \* 6/2012 Davies ..... D24/144  
D663,022 S \* 7/2012 Lombardi, III ..... D24/129  
D699,840 S \* 2/2014 Lombardi, III ..... D24/129  
D699,841 S \* 2/2014 Lombardi, III ..... D24/129  
D760,399 S \* 6/2016 So ..... D24/216  
2005/0203485 A1 \* 9/2005 Lee ..... A61M 25/0147  
604/523  
2005/0209583 A1 \* 9/2005 Powers ..... A61M 25/0014  
604/533  
2018/0236204 A1 \* 8/2018 Milhous ..... A61B 18/1492

\* cited by examiner

*Primary Examiner* — Nathan M Johnston

(74) *Attorney, Agent, or Firm* — Inskeep IP Group, Inc.

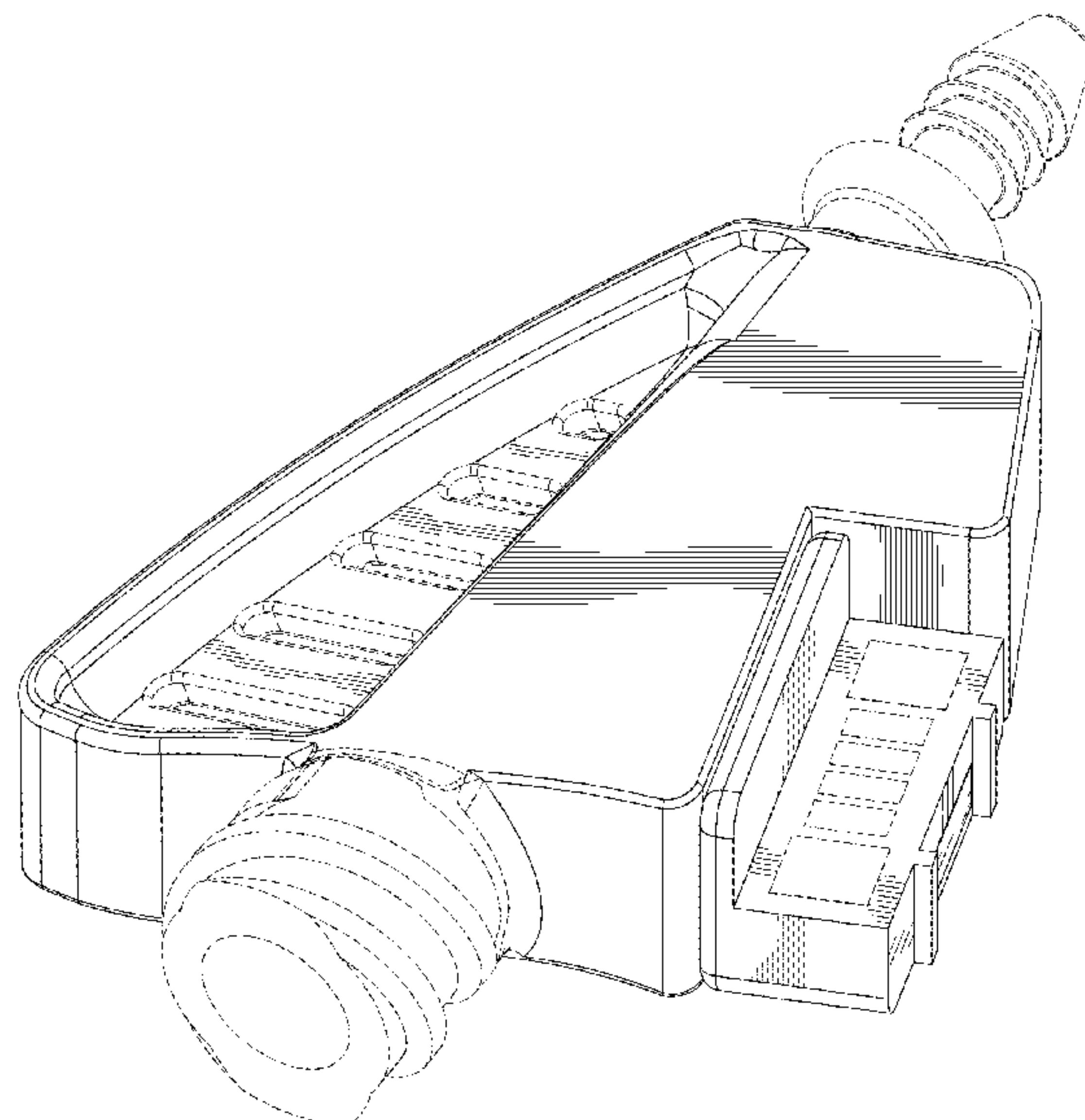
(57) **CLAIM**

The ornamental design for a catheter hub with an electrical connector, as shown and described.

**DESCRIPTION**

FIG. 1 is a top perspective view of a catheter hub with an electrical connector showing our new design.  
FIG. 2 is bottom perspective view thereof.  
FIG. 3 is a side view thereof.  
FIG. 4 is a side view thereof.  
FIG. 5 is an end view thereof.  
FIG. 6 is an end view thereof.  
FIG. 7 is a top view thereof; and,  
FIG. 8 is a bottom view thereof.  
The dashed lines immediately adjacent to the shaded areas in the figures represent the boundaries of the claimed design. The dashed lines in the figures illustrate the portions of the design that form no part of the claimed design. None of the broken lines form any part of the claimed design.

**1 Claim, 7 Drawing Sheets**



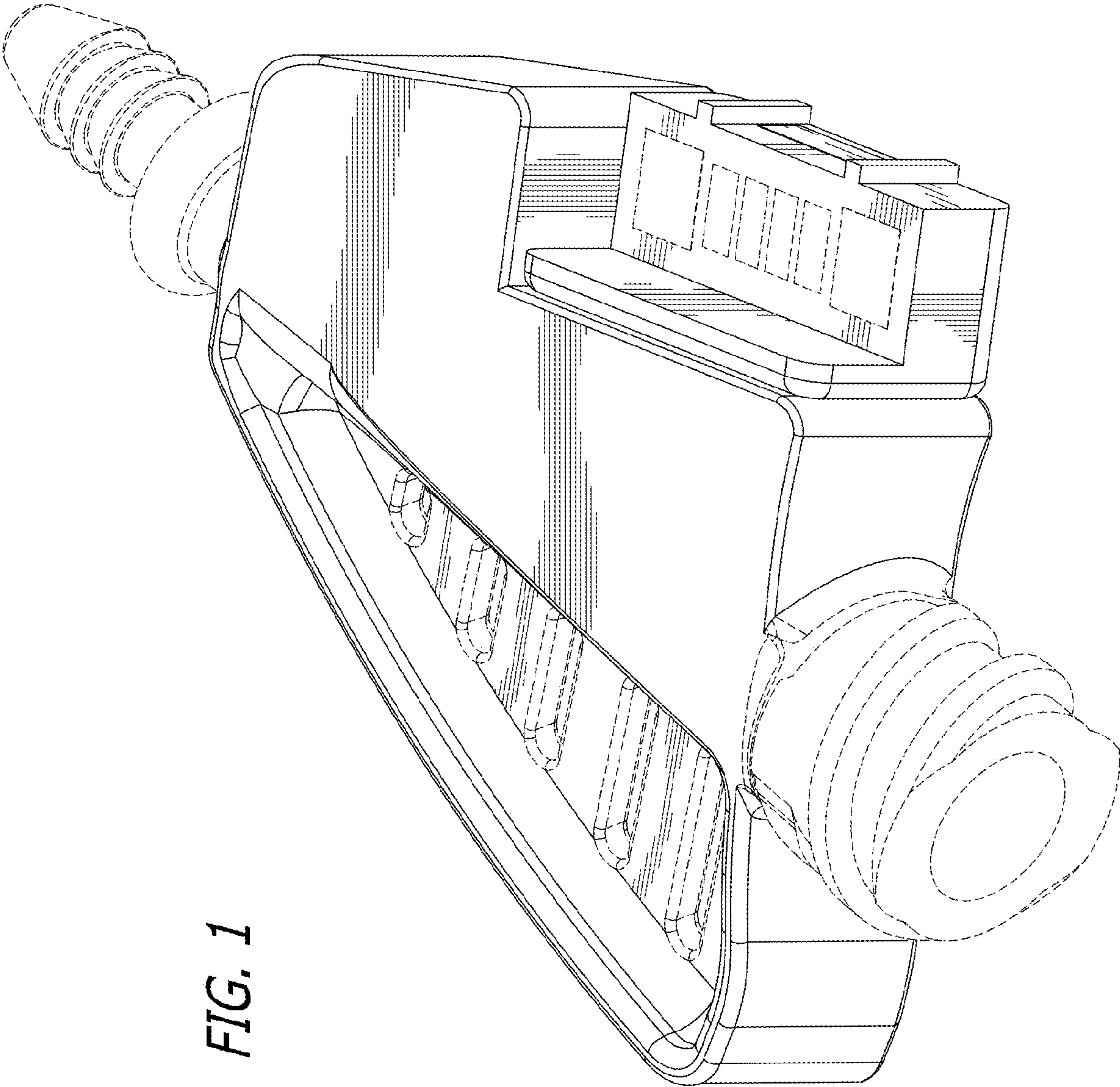


FIG. 1

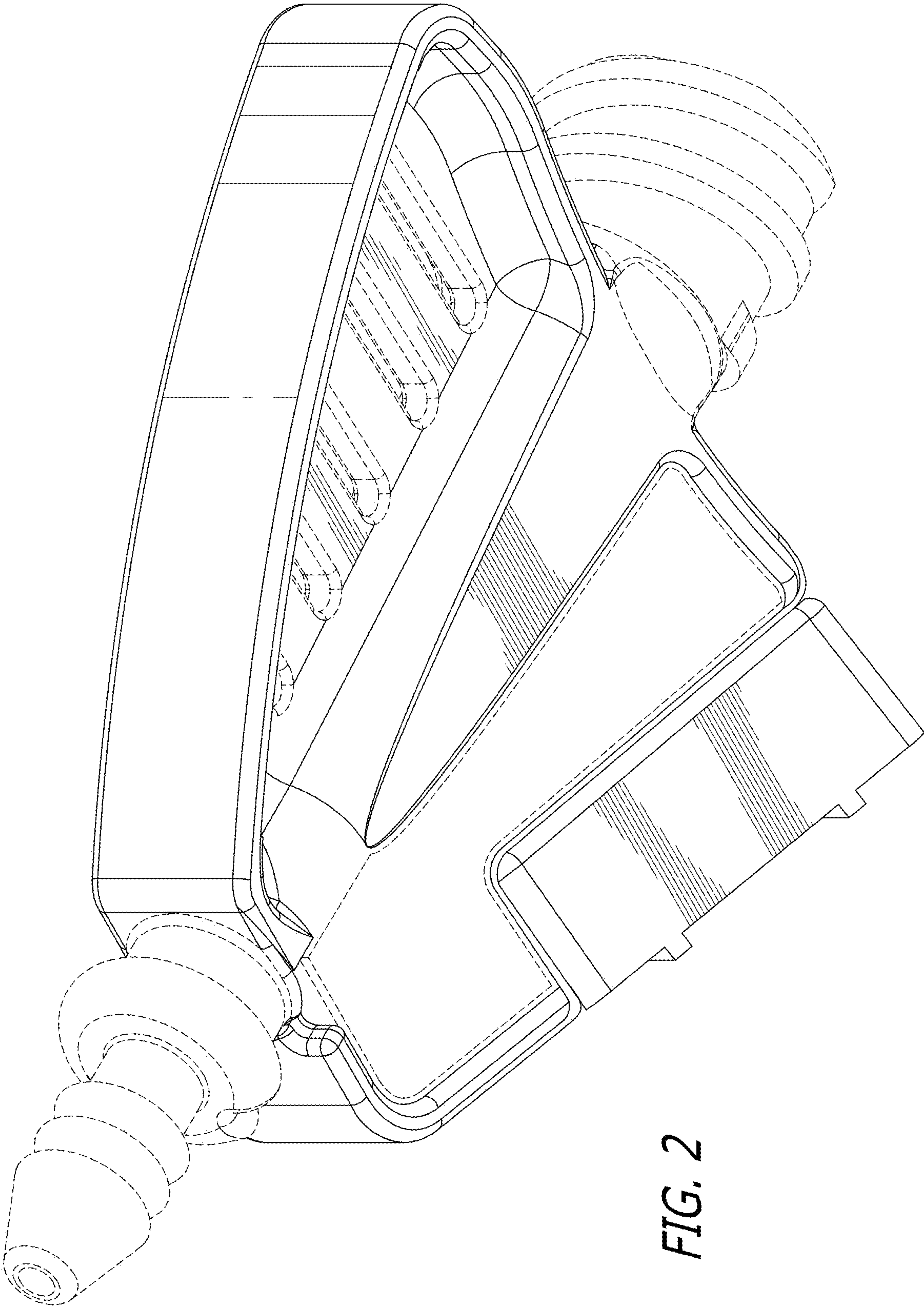


FIG. 2



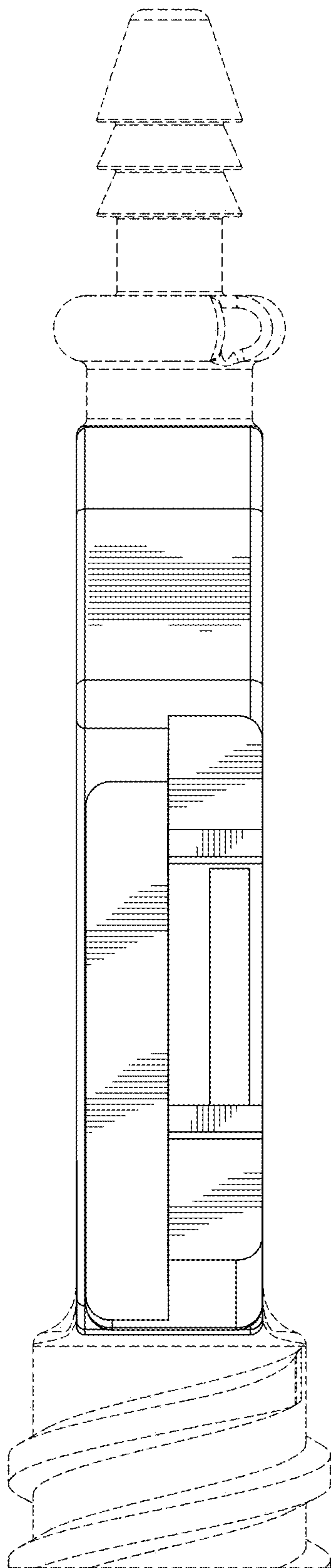


FIG. 3

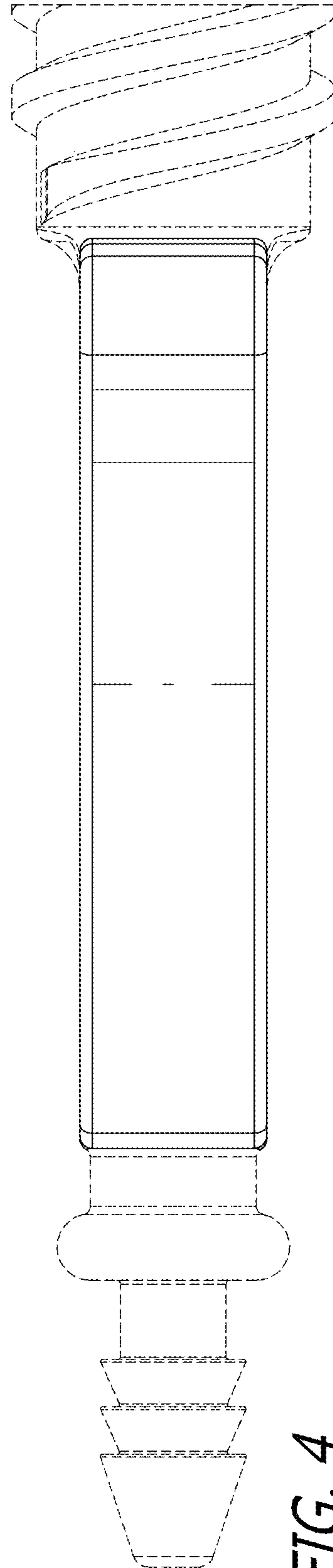
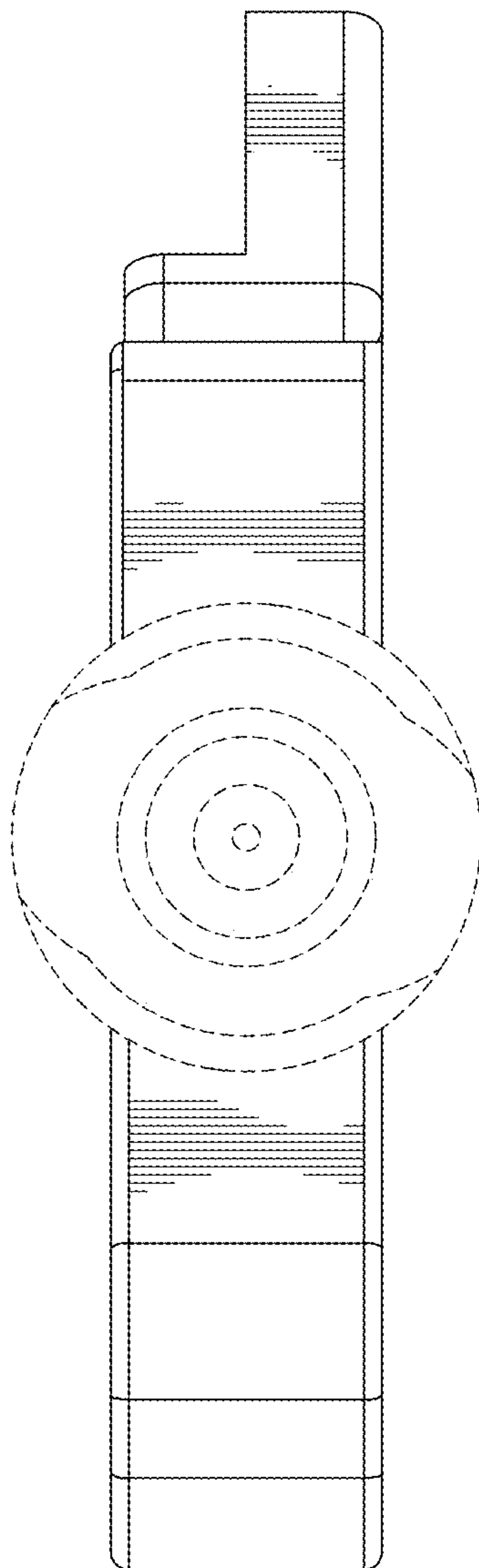


FIG. 4

FIG. 5



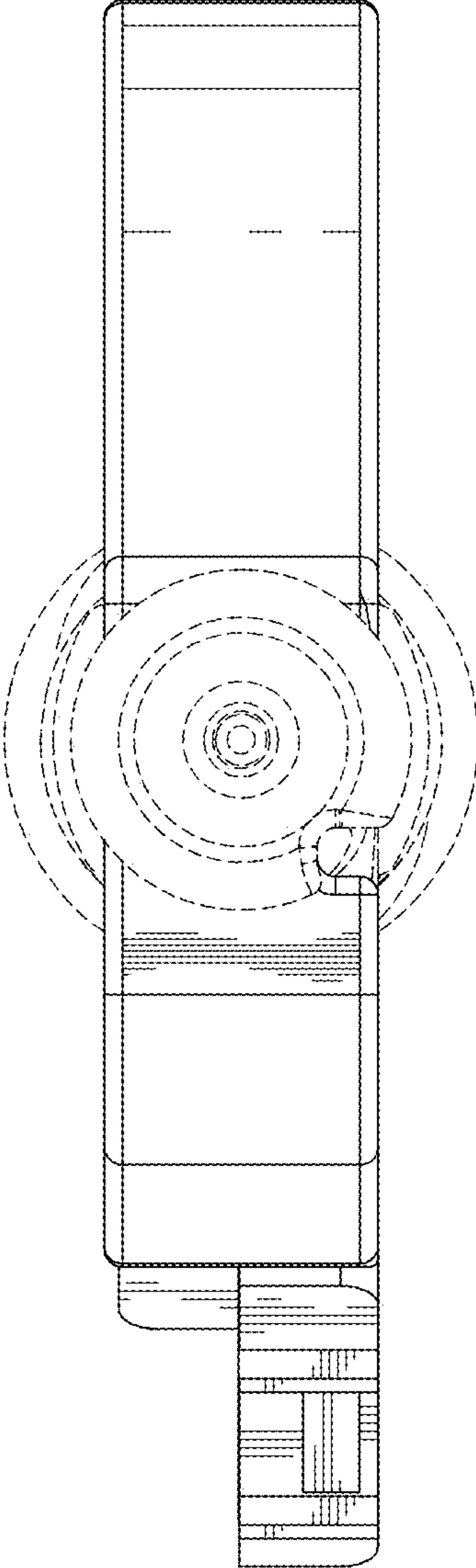


FIG. 6

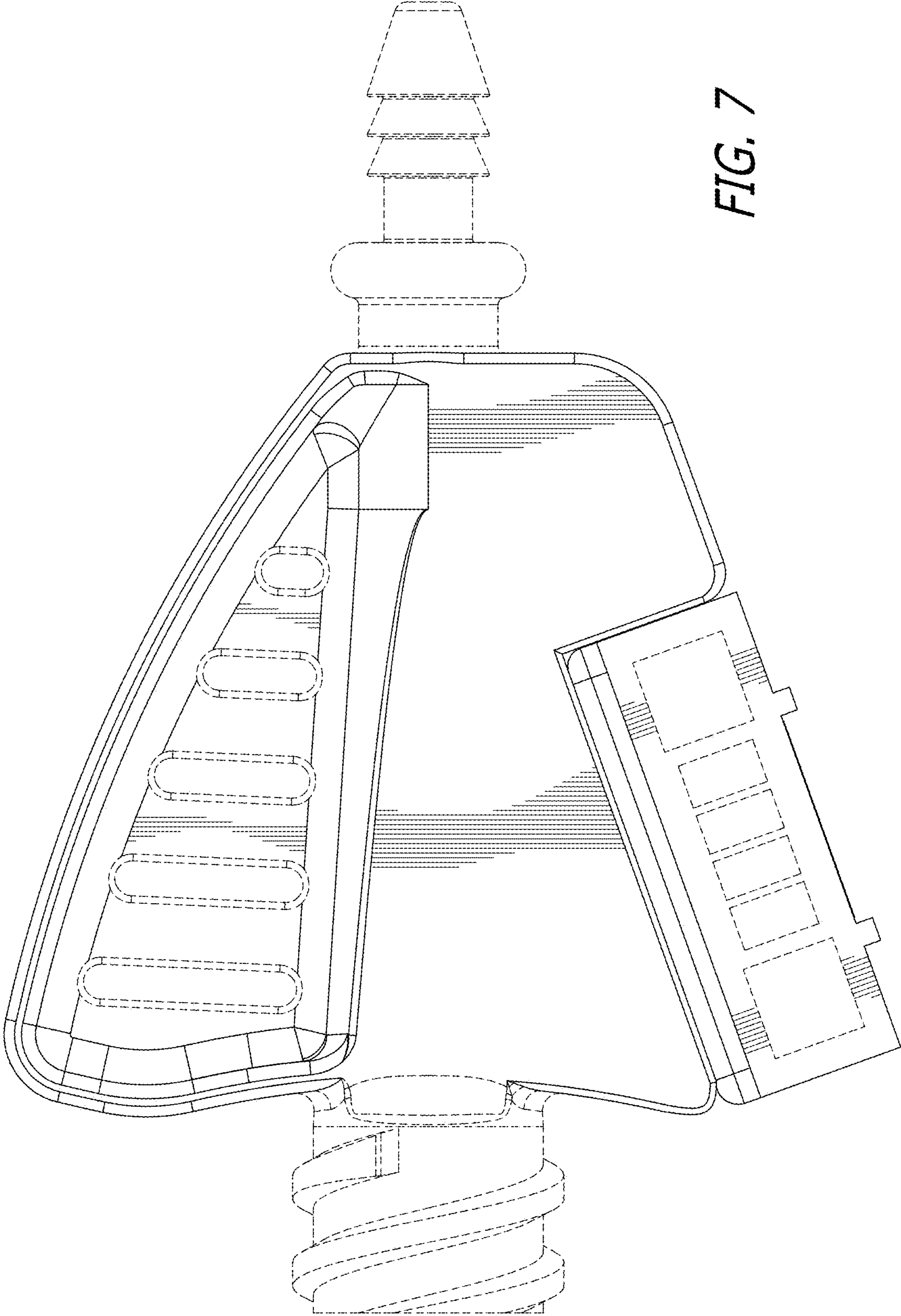


FIG. 7

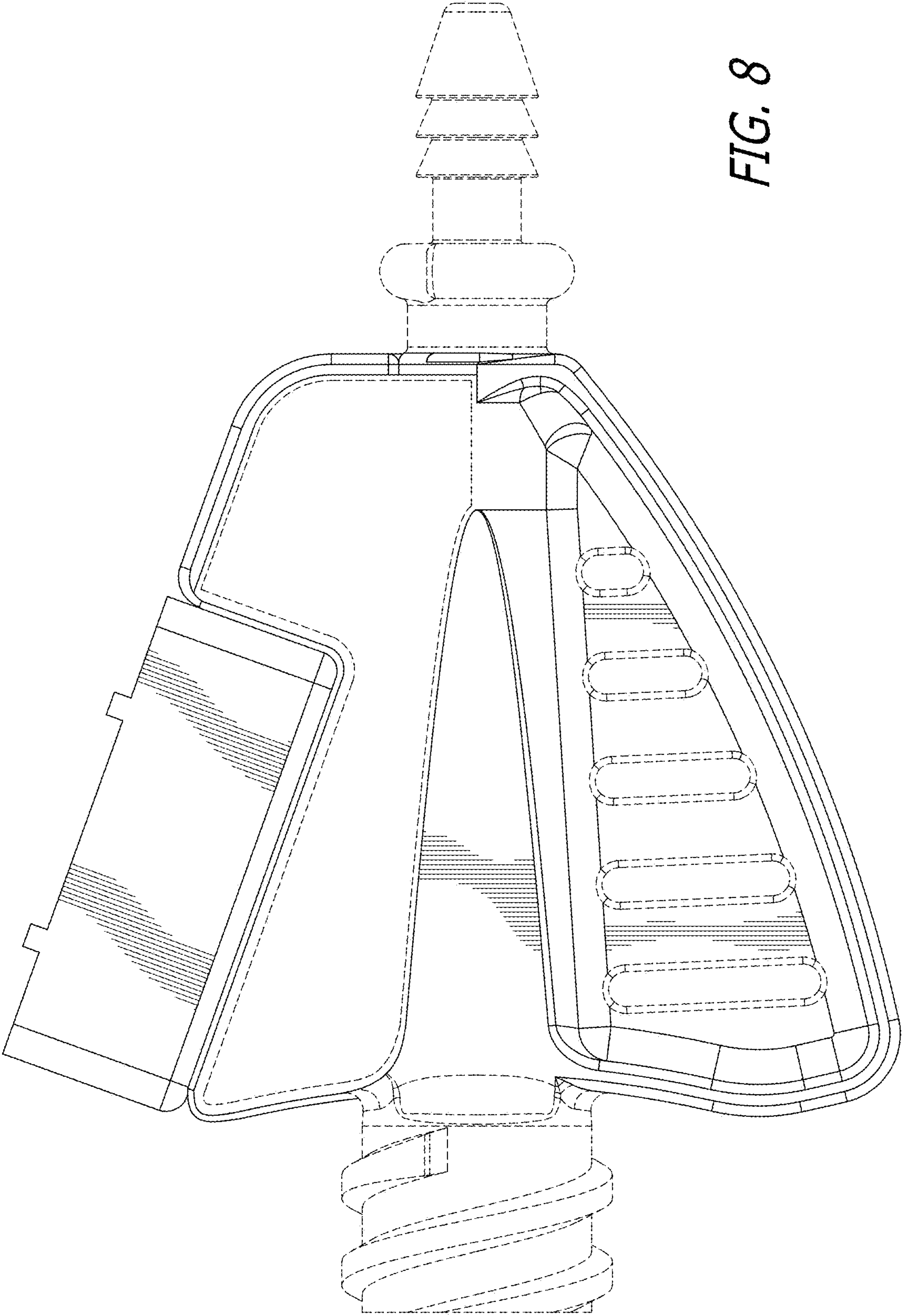


FIG. 8